



US00D645125S

(12) **United States Design Patent**
Palomba et al.

(10) **Patent No.:** **US D645,125 S**

(45) **Date of Patent:** **** Sep. 13, 2011**

(54) **RECTANGULAR SINK**

(75) Inventors: **Roberto Palomba**, Milan (IT);
Ludovica Palomba, Milan (IT)

(73) Assignee: **Keramik Holding AG Laufen**, Laufen
(CH)

(**) Term: **14 Years**

(21) Appl. No.: **29/365,217**

(22) Filed: **Jul. 6, 2010**

(51) **LOC (9) Cl.** **23-02**

(52) **U.S. Cl.** **D23/284**

(58) **Field of Classification Search** D23/272-274,
D23/284, 286-287, 290, 293.1, 303, 308;
4/619, 639, 630-631

See application file for complete search history.

(56) **References Cited**

U.S. PATENT DOCUMENTS

D598,990 S *	8/2009	Duringer et al.	D23/284
D624,992 S *	10/2010	Maitre et al.	D23/284
D634,410 S *	3/2011	Palomba et al.	D23/284

* cited by examiner

Primary Examiner — Robert Delehanty

(74) *Attorney, Agent, or Firm* — Husch Blackwell LLP

(57) **CLAIM**

The ornamental design for a rectangular sink, as shown and described.

DESCRIPTION

FIG. 1 is a top perspective view of a rectangular sink showing the new design;

FIG. 2 is a top plan view of the rectangular sink shown in FIG. 1;

FIG. 3 is a front elevational view of the rectangular sink shown in FIG. 1;

FIG. 4 is a bottom plan view of the rectangular sink shown in FIG. 1;

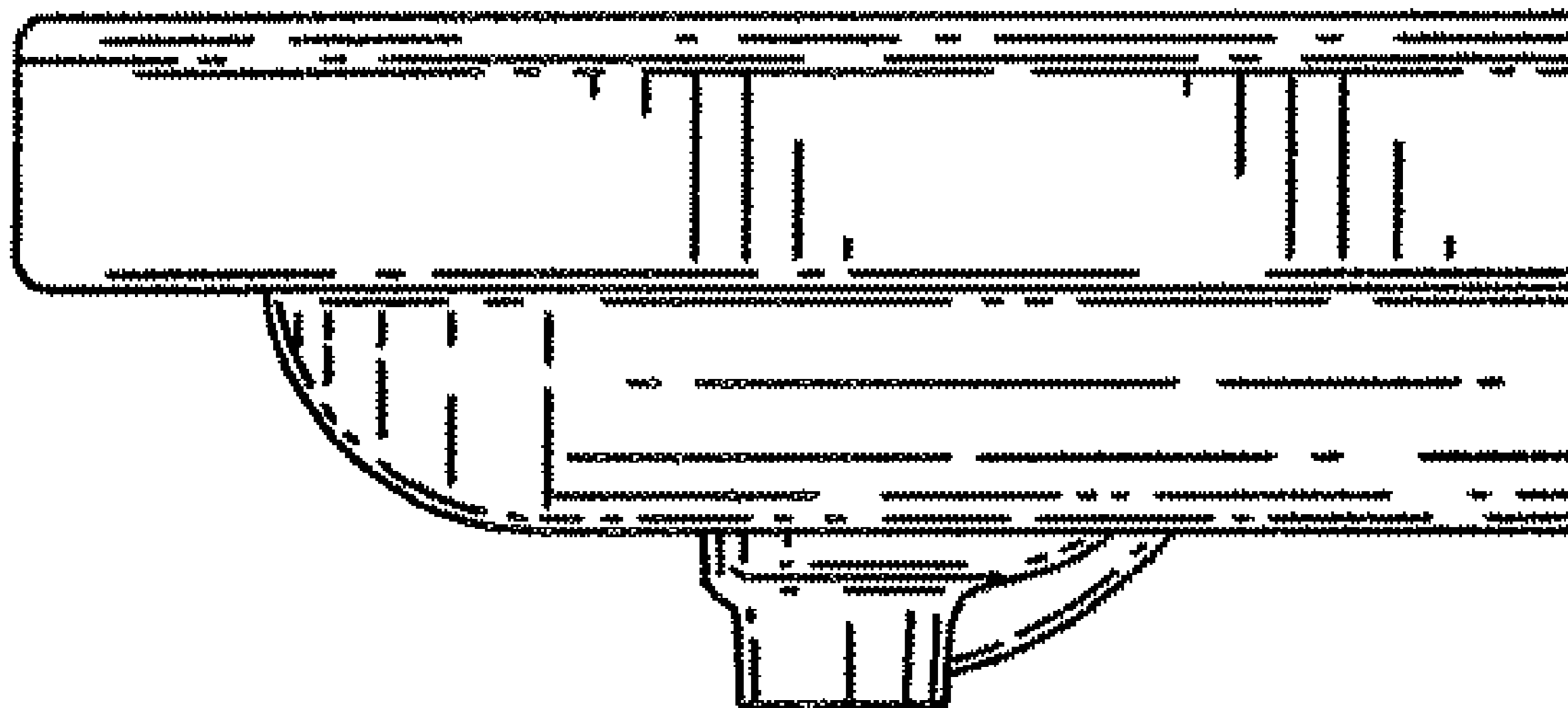
FIG. 5 is a rear elevational view of the rectangular sink shown in FIG. 1;

FIG. 6 is a right side elevational view of the rectangular sink shown in FIG. 1; and,

FIG. 7 is a left side elevational view of the rectangular sink shown in FIG. 1.

The features shown in broken lines depict environmental subject matter only and form no part of the claimed design.

1 Claim, 2 Drawing Sheets



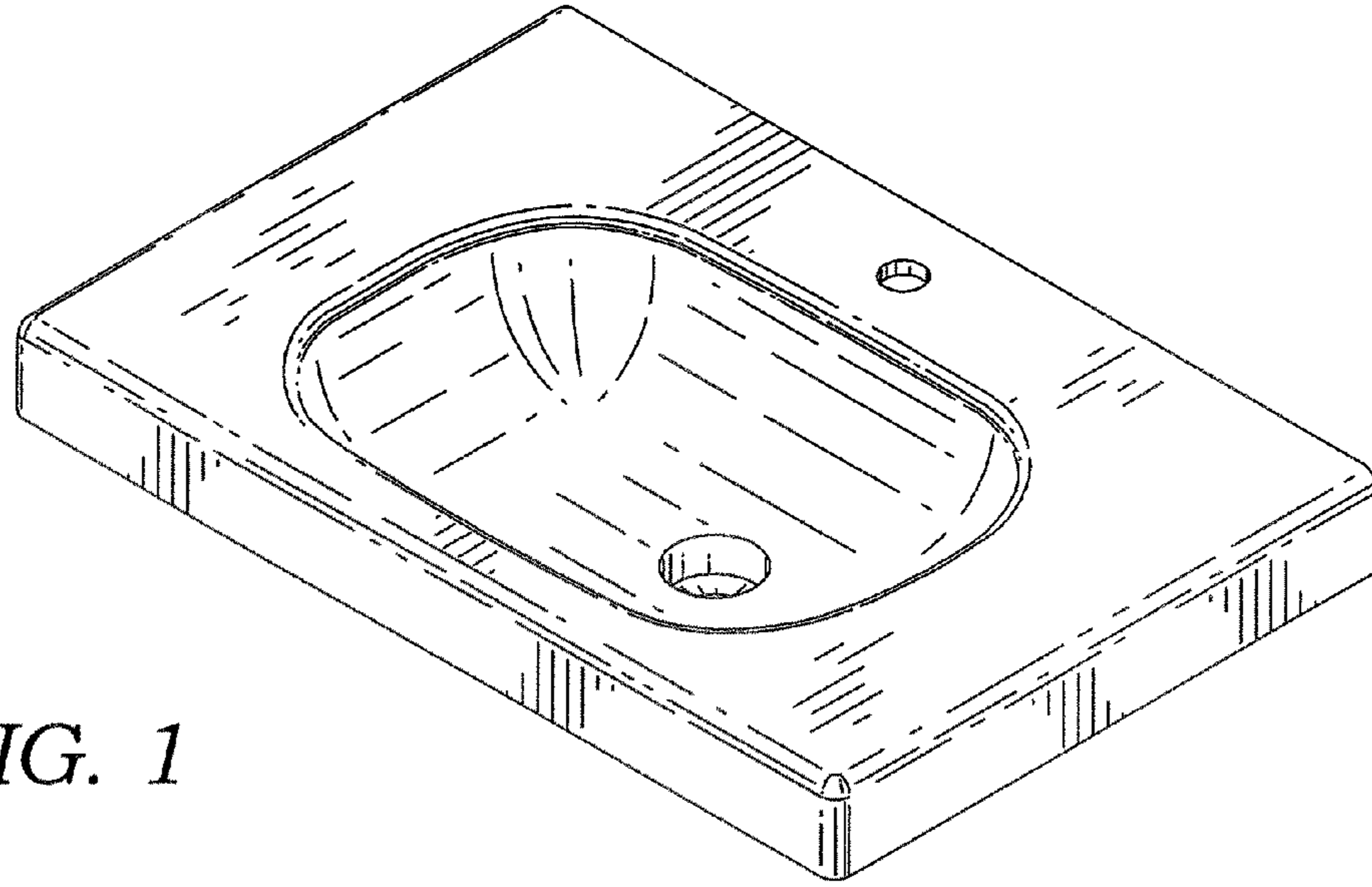


FIG. 1

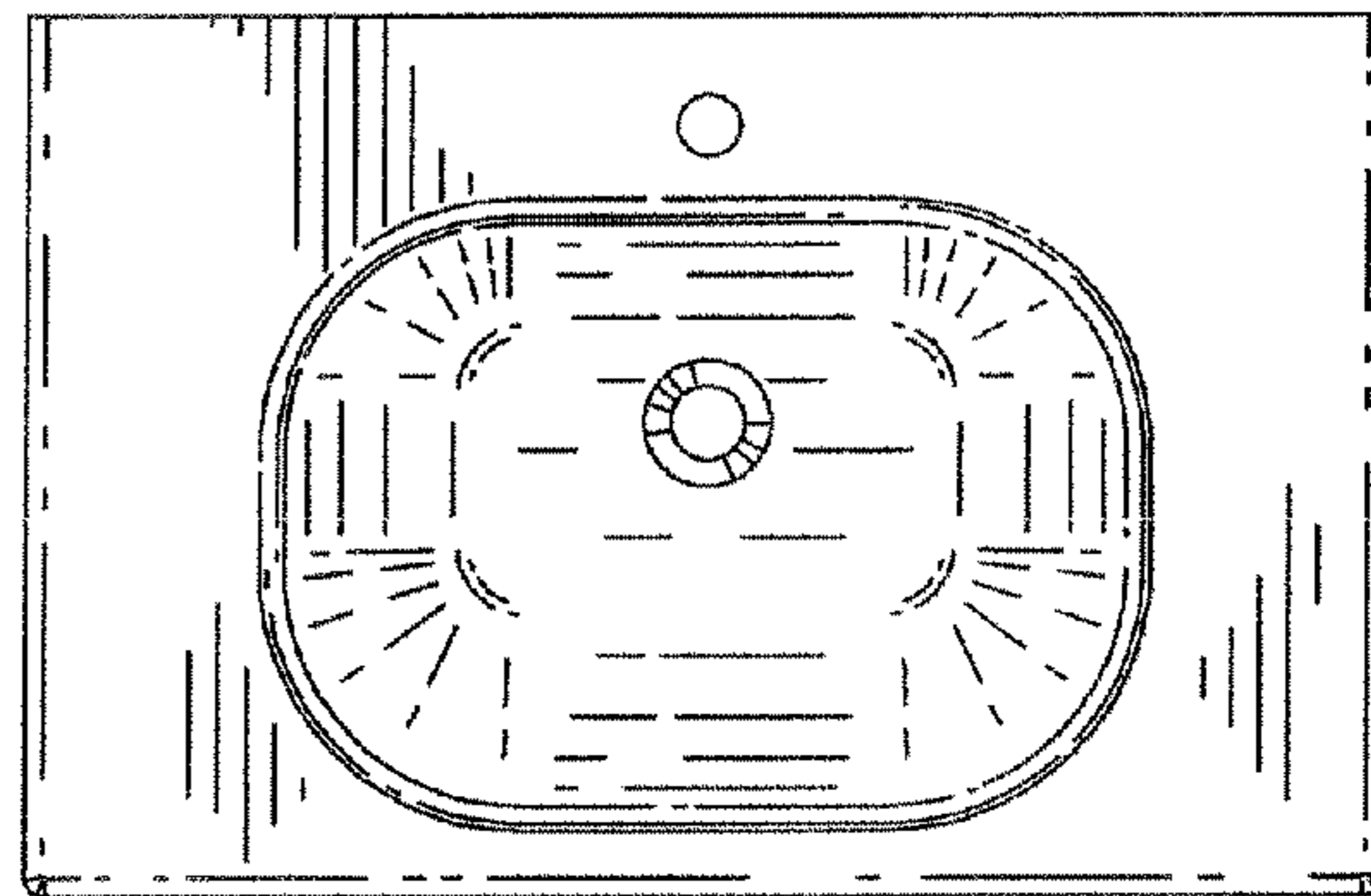


FIG. 2

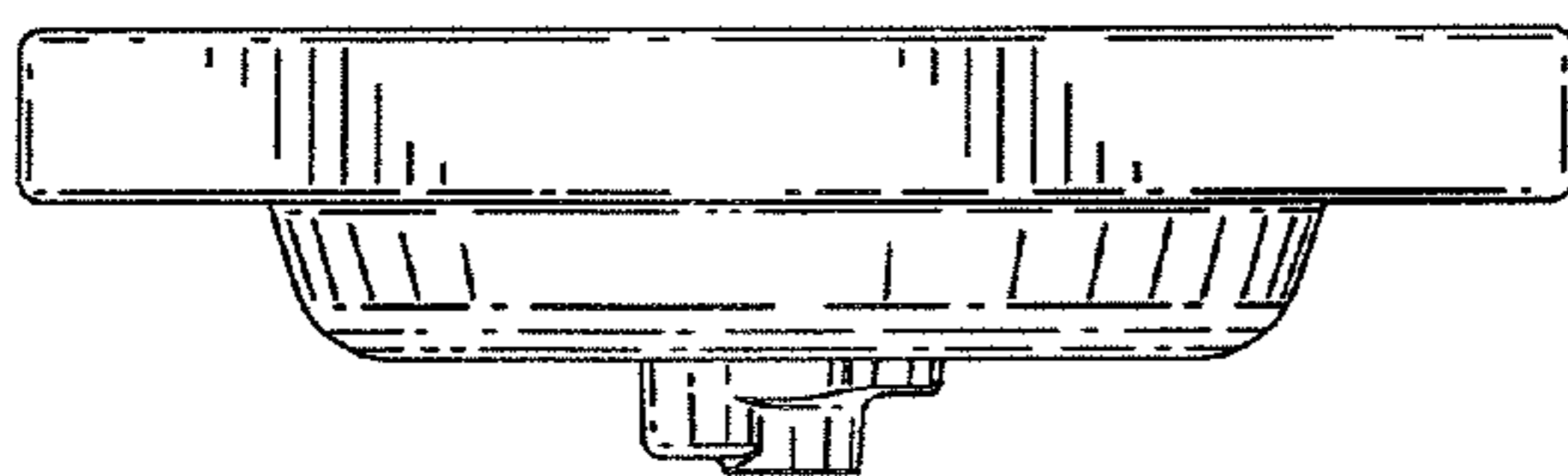


FIG. 3

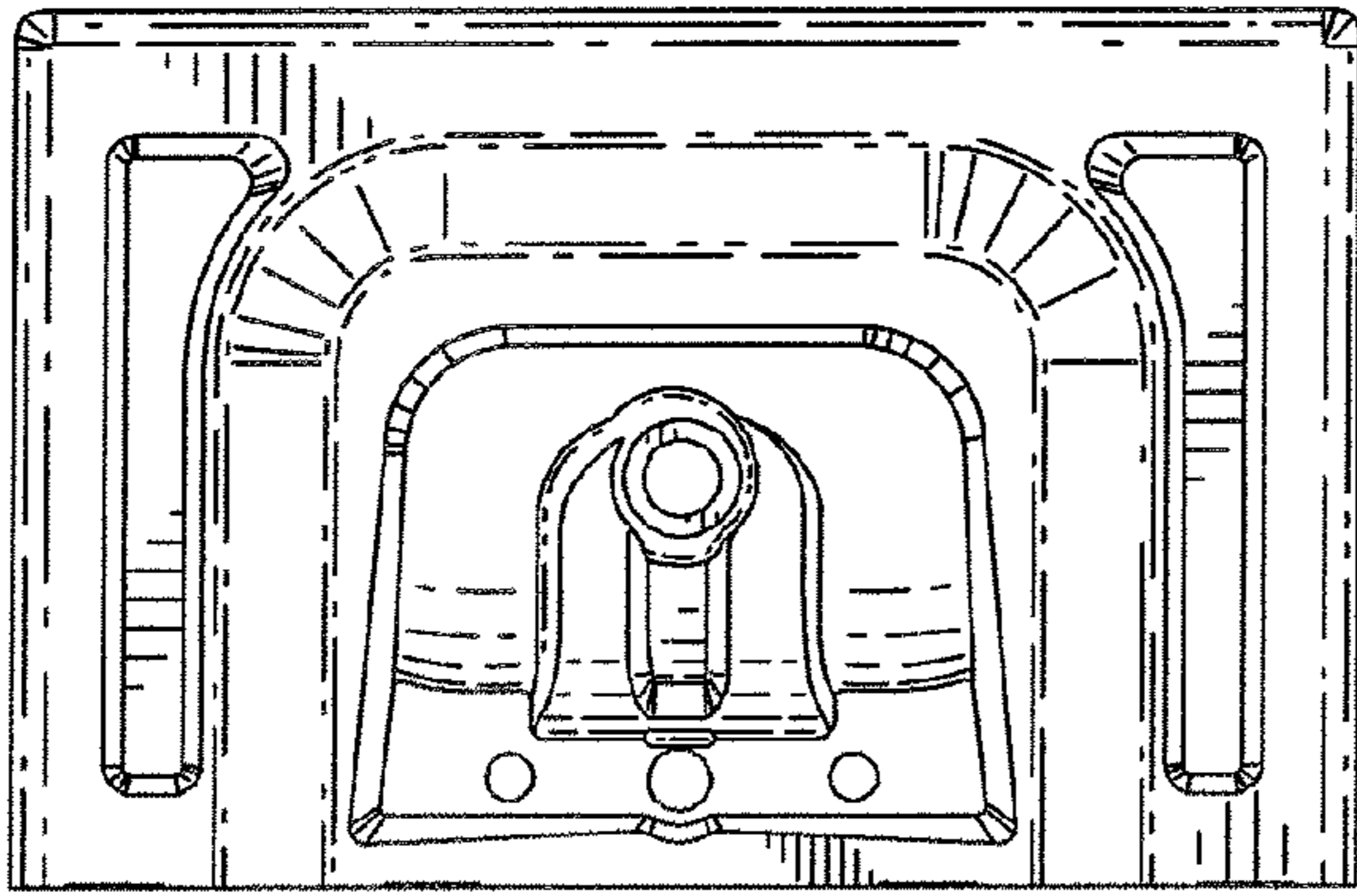


FIG. 4

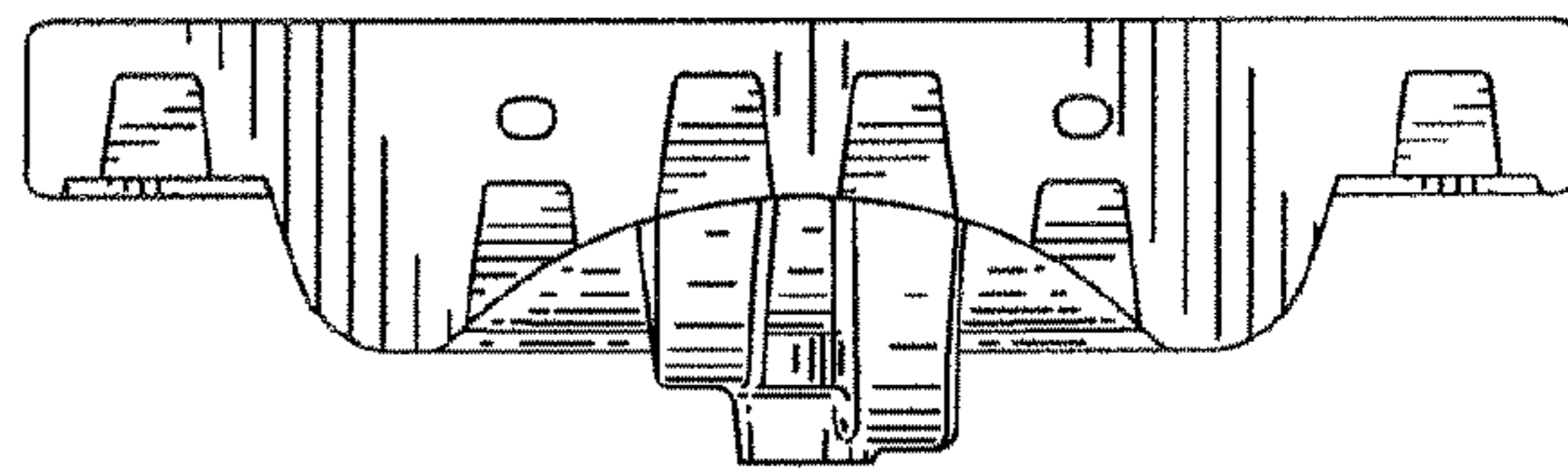


FIG. 5

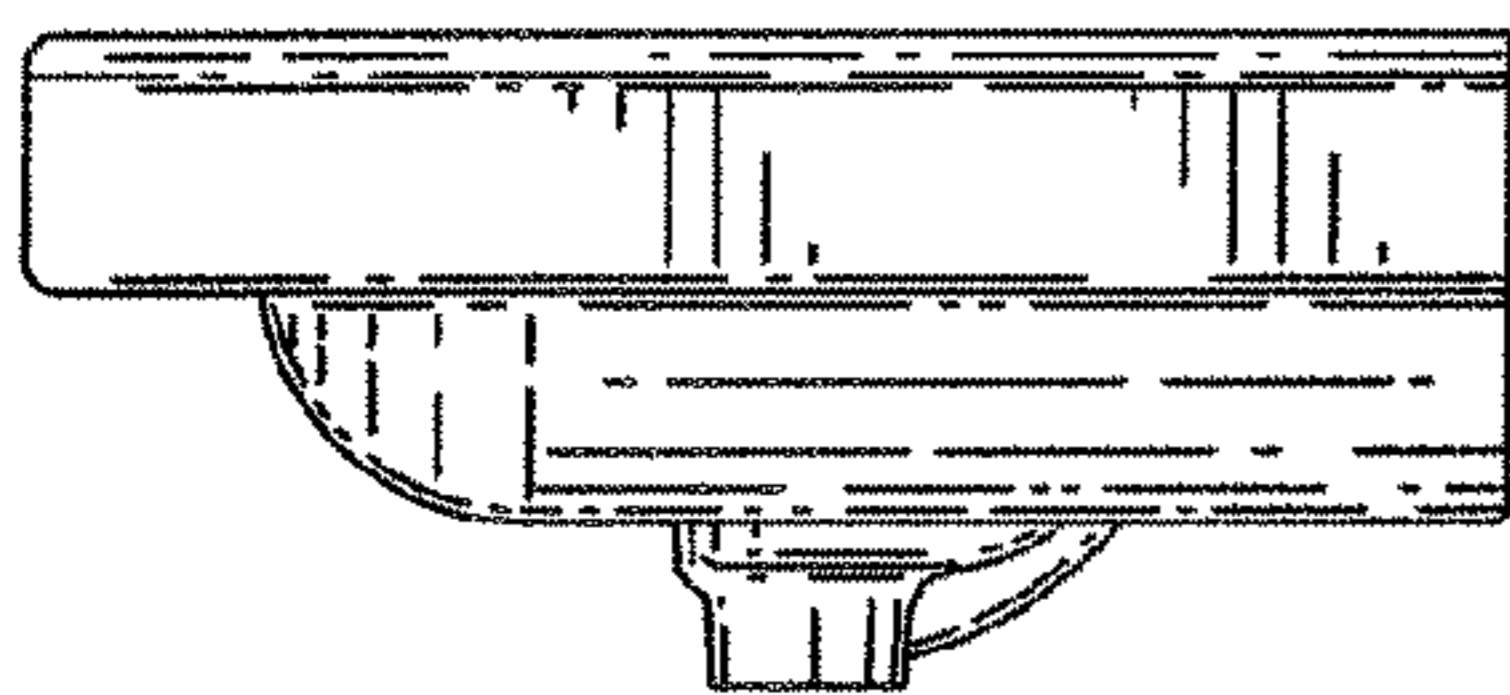


FIG. 6

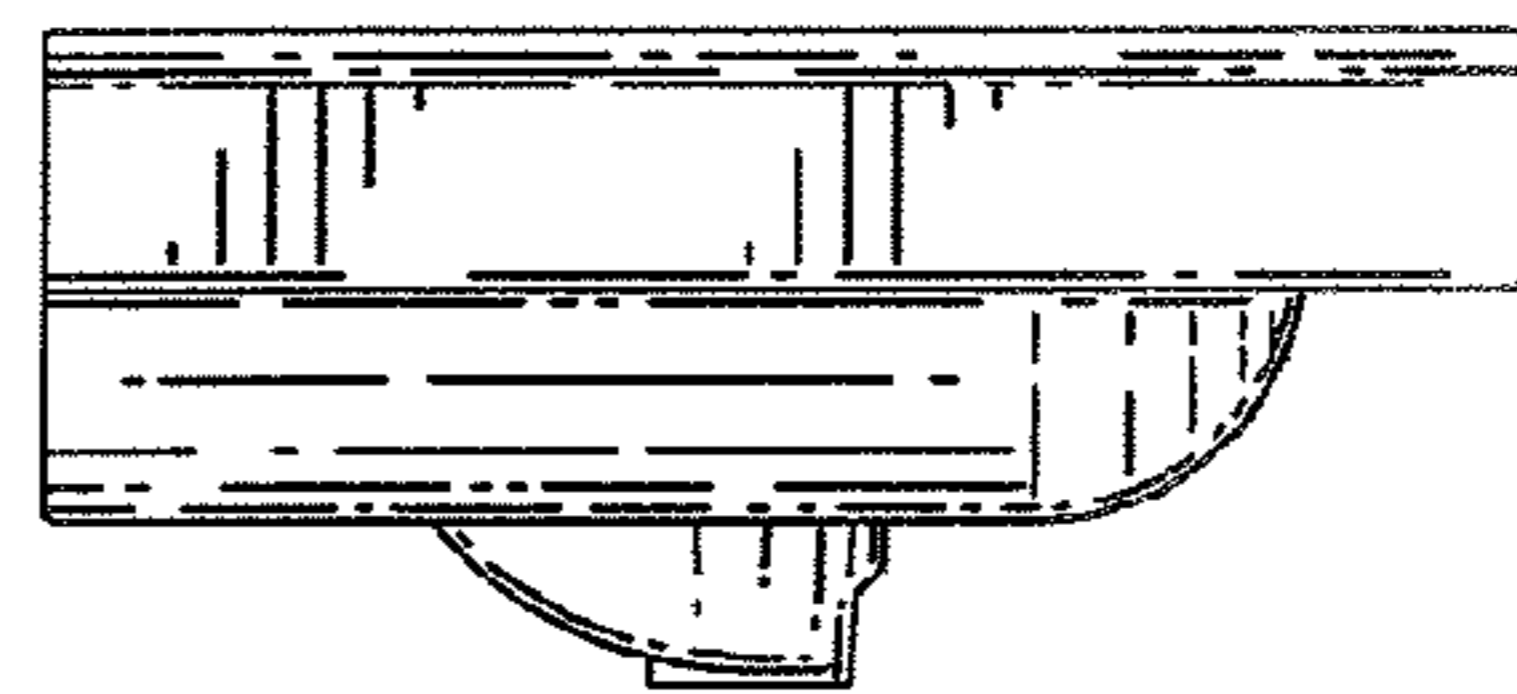


FIG. 7