



US00D645124S

(12) **United States Design Patent**
Palomba et al.

(10) **Patent No.:** **US D645,124 S**

(45) **Date of Patent:** **** Sep. 13, 2011**

(54) **LONG SINGLE OVAL SINK**

(75) Inventors: **Roberto Palomba**, Milan (IT);
Ludovica Palomba, Milan (IT)

(73) Assignee: **Keramik Holding AG Laufen**, Laufen
(CH)

(**) Term: **14 Years**

(21) Appl. No.: **29/365,207**

(22) Filed: **Jul. 6, 2010**

(51) **LOC (9) Cl.** **23-02**

(52) **U.S. Cl.** **D23/284**

(58) **Field of Classification Search** D23/272-274,
D23/284, 286-287, 290, 293.1, 303, 308;
4/619, 639, 630-631

See application file for complete search history.

(56) **References Cited**

U.S. PATENT DOCUMENTS

D545,413 S *	6/2007	Lin et al.	D23/293.1
D588,680 S *	3/2009	Cheng	D23/287
D606,175 S *	12/2009	Bock et al.	D23/287
D624,992 S *	10/2010	Maitre et al.	D23/284

* cited by examiner

Primary Examiner — Robert Delehanty

(74) *Attorney, Agent, or Firm* — Husch Blackwell LLP

(57) **CLAIM**

The ornamental design for a long single oval sink, as shown and described.

DESCRIPTION

FIG. 1 is a top perspective view of a long single oval sink showing the new design;

FIG. 2 is a top plan view of the long single oval sink shown in FIG. 1;

FIG. 3 is a front elevational view of the long single oval sink shown in FIG. 1;

FIG. 4 is a bottom plan view of the long single oval sink shown in FIG. 1;

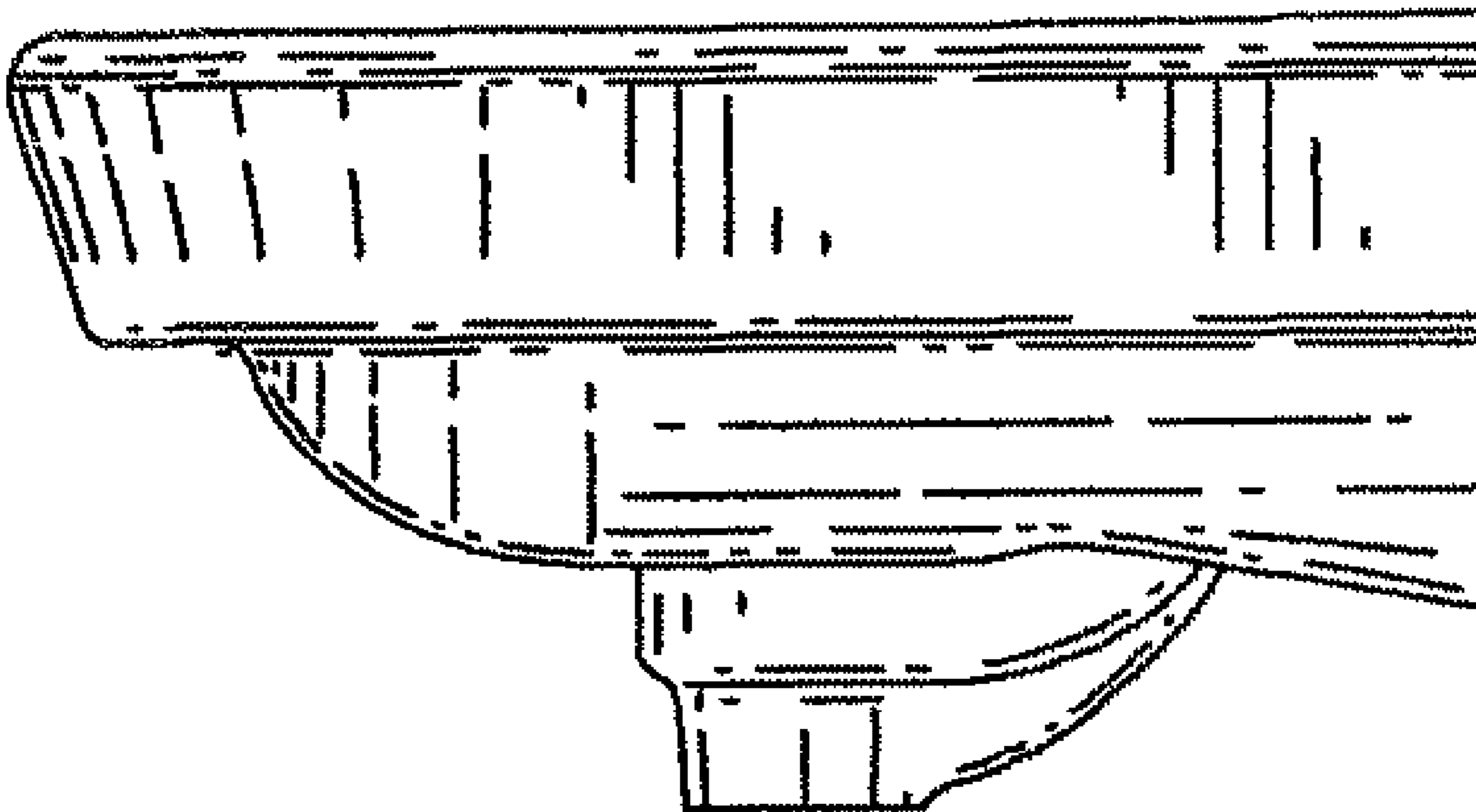
FIG. 5 is a rear elevational view of the long single oval sink shown in FIG. 1;

FIG. 6 is a right side elevational view of the long single oval sink shown in FIG. 1; and,

FIG. 7 is a left side elevational view of the long single oval sink shown in FIG. 1.

The features shown in broken lines depict environmental subject matter only and form no part of the claimed design.

1 Claim, 2 Drawing Sheets



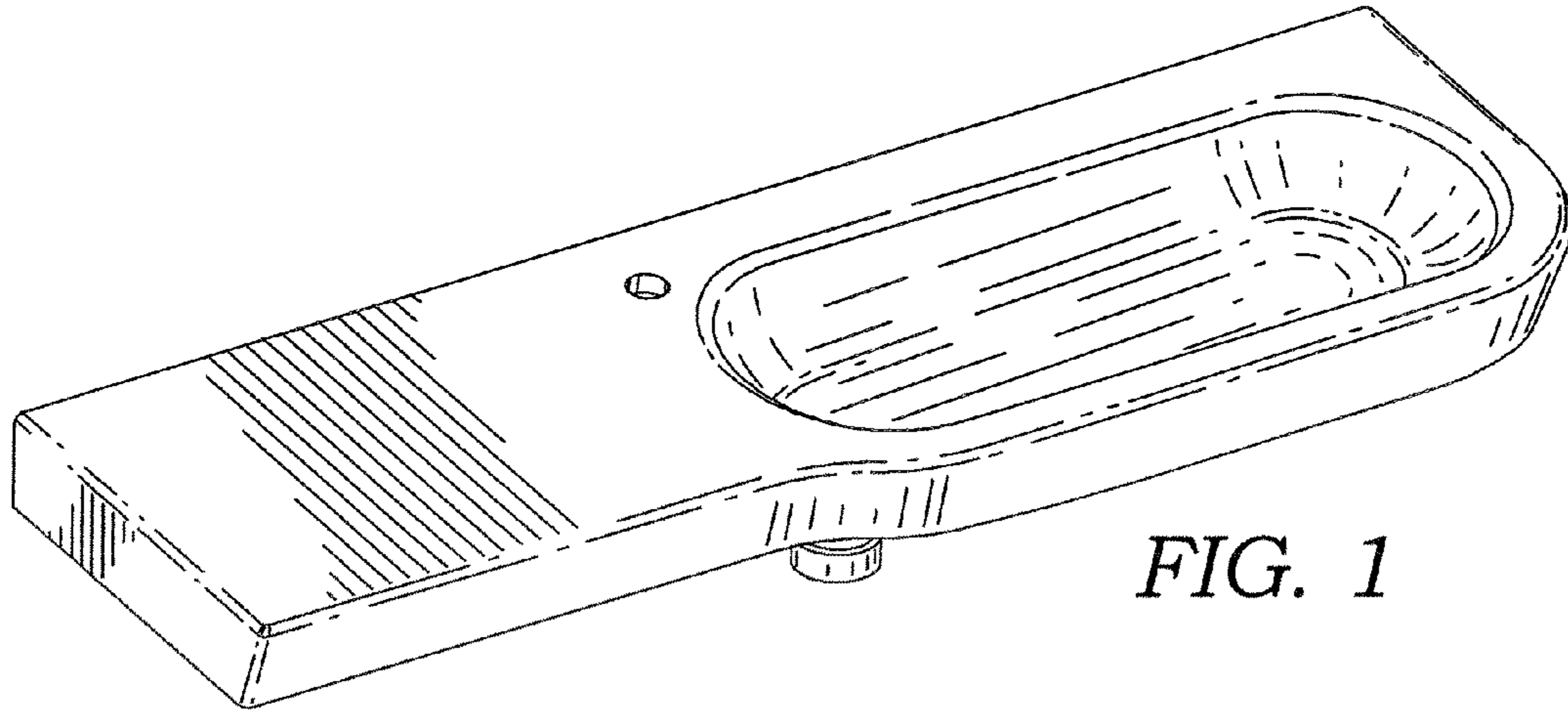


FIG. 1

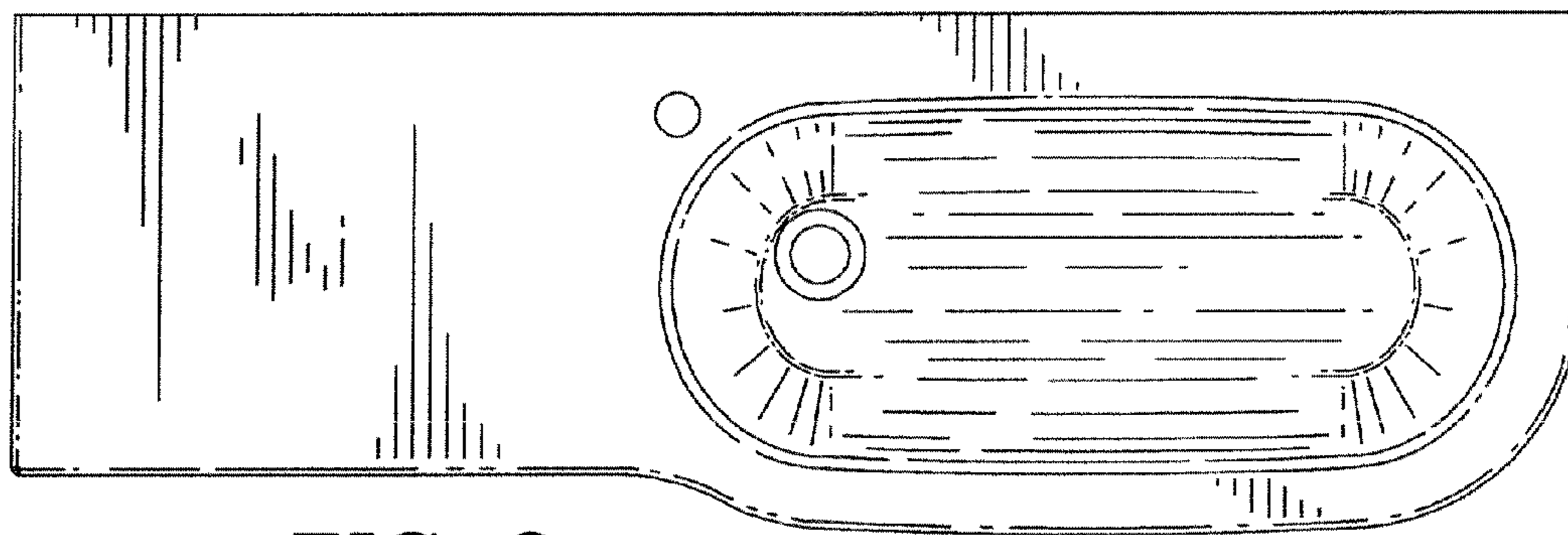


FIG. 2

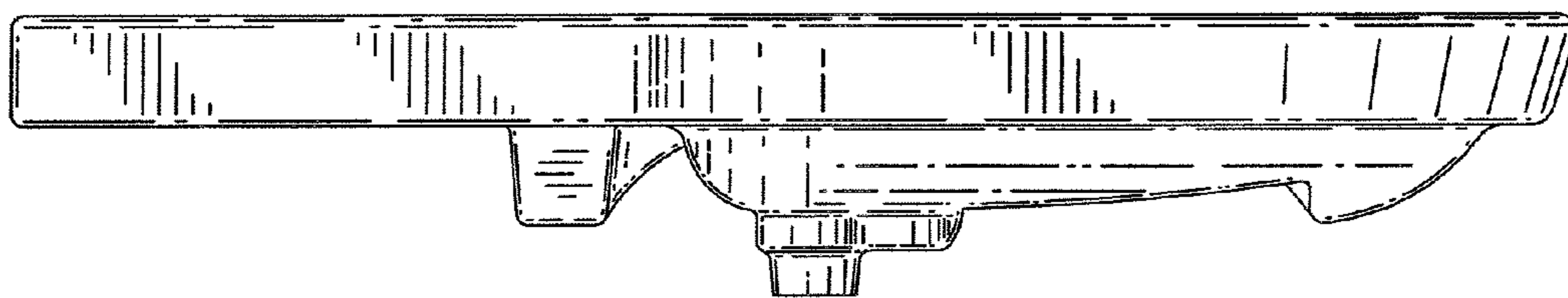


FIG. 3

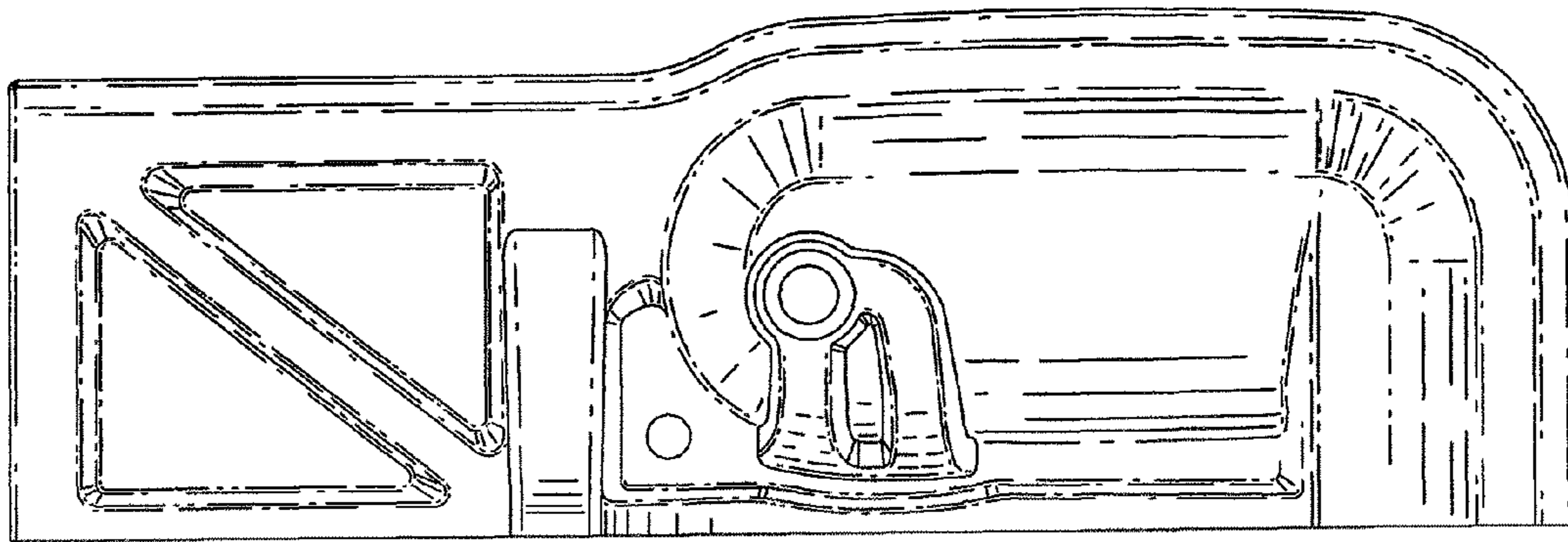


FIG. 4

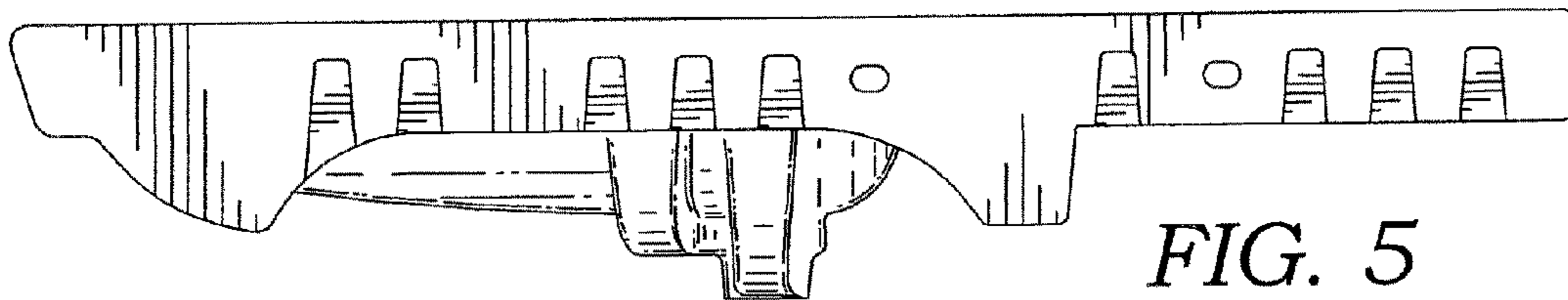


FIG. 5

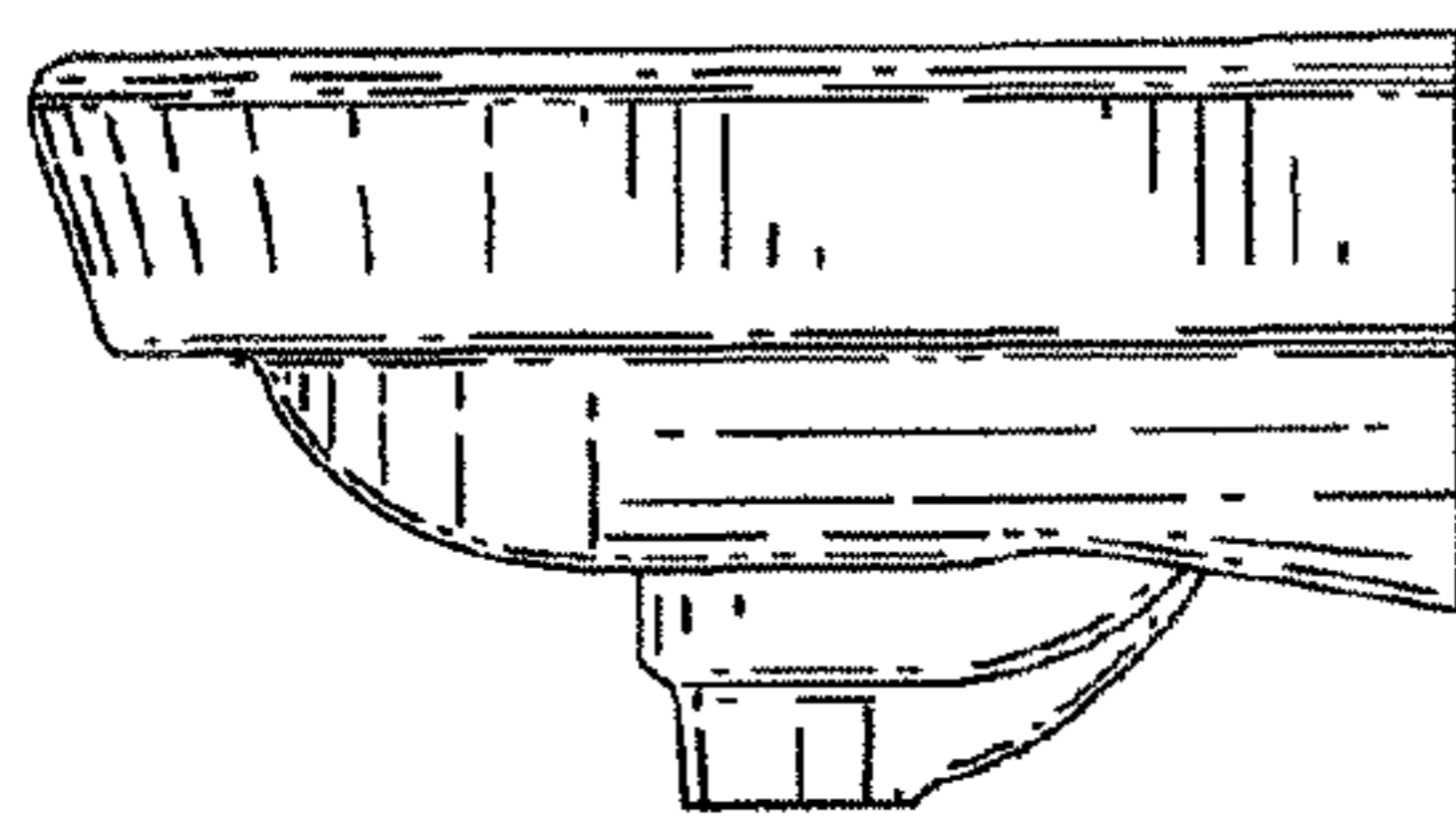


FIG. 6

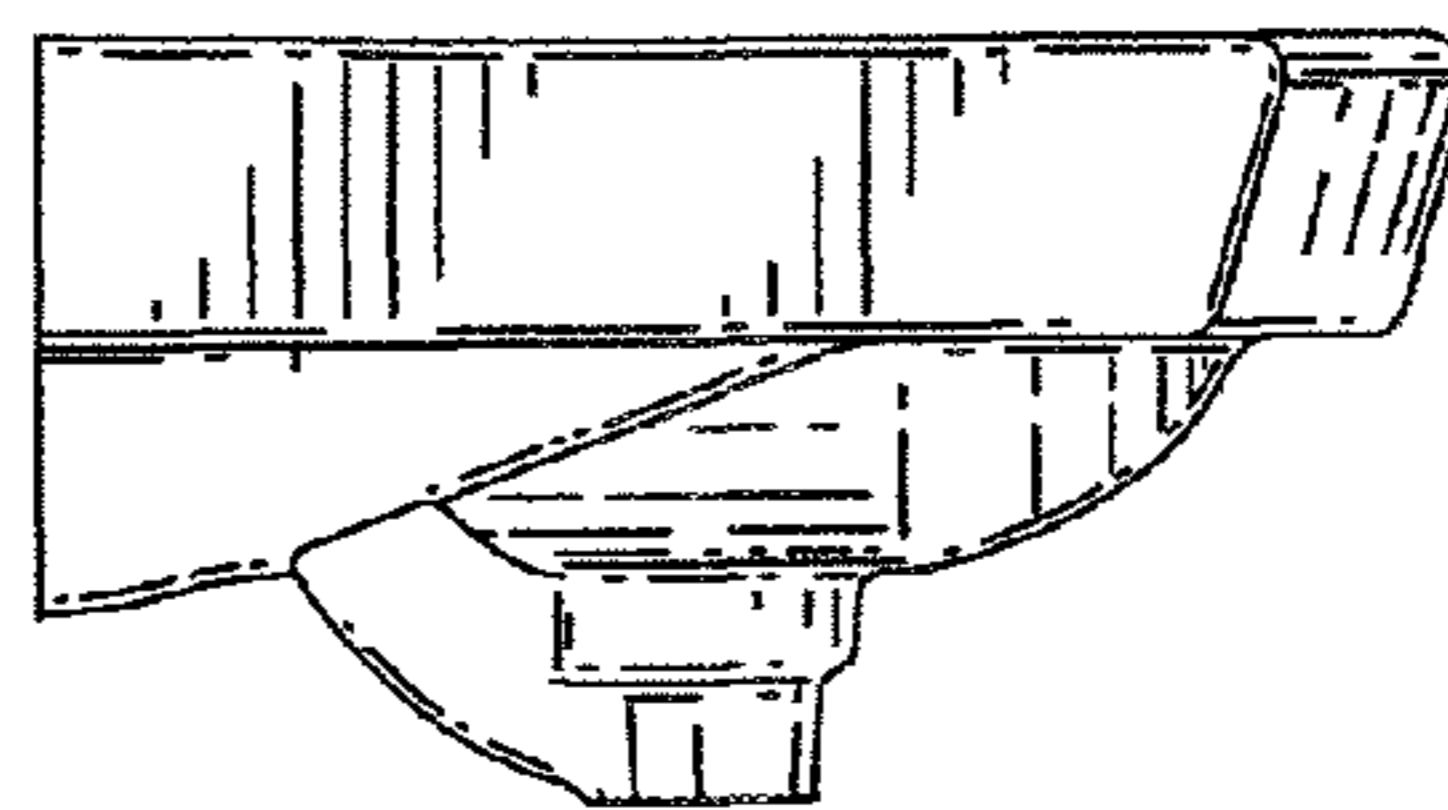


FIG. 7