



US00D645123S

(12) **United States Design Patent**  
**Corbett**

(10) **Patent No.:** **US D645,123 S**

(45) **Date of Patent:** **\*\* Sep. 13, 2011**

(54) **FAUCET SPOUT**

(75) **Inventor:** **Jessina Rose Corbett**, Chicago, IL (US)

(73) **Assignee:** **Masco Corporation of Indiana**,  
Indianapolis, IN (US)

(\*\*) **Term:** **14 Years**

(21) **Appl. No.:** **29/383,633**

(22) **Filed:** **Jan. 20, 2011**

(51) **LOC (9) Cl.** ..... **23-01**

(52) **U.S. Cl.** ..... **D23/255**

(58) **Field of Classification Search** ..... D23/238-243,  
D23/250, 255; 4/675-678; 137/801  
See application file for complete search history.

(56) **References Cited**

**U.S. PATENT DOCUMENTS**

D530,786 S	*	10/2006	Gilbert	.....	D23/238
D577,421 S	*	9/2008	Williams	.....	D23/238
D602,122 S	*	10/2009	Corbett	.....	D23/238

\* cited by examiner

*Primary Examiner* — Robert Delehanty

(74) *Attorney, Agent, or Firm* — Edgar A. Zarins; Nirav D. Parikh

(57) **CLAIM**

The ornamental design for a faucet spout, as shown and described.

**DESCRIPTION**

FIG. 1 is a front perspective view of a faucet spout showing my new design;

FIG. 2 is a right side view thereof, the opposite side being a mirror image of the side shown;

FIG. 3 is a front elevational view thereof;

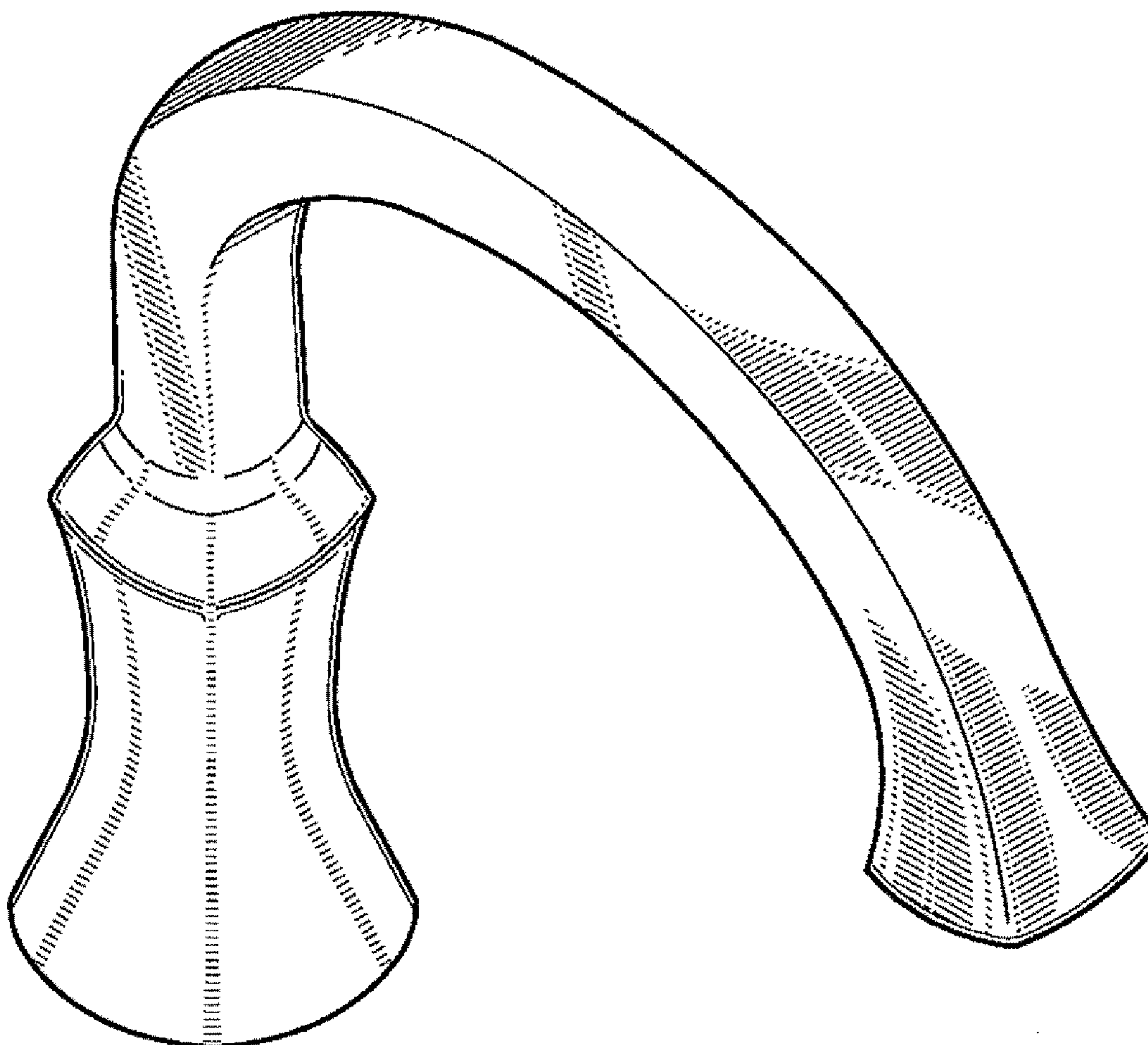
FIG. 4 is a rear view thereof;

FIG. 5 is a top plan view thereof; and,

FIG. 6 is a bottom view thereof.

The broken lines showing the tip opening of the faucet are included for the purpose of illustrating a portion of the faucet that forms no part of the claimed design.

**1 Claim, 2 Drawing Sheets**



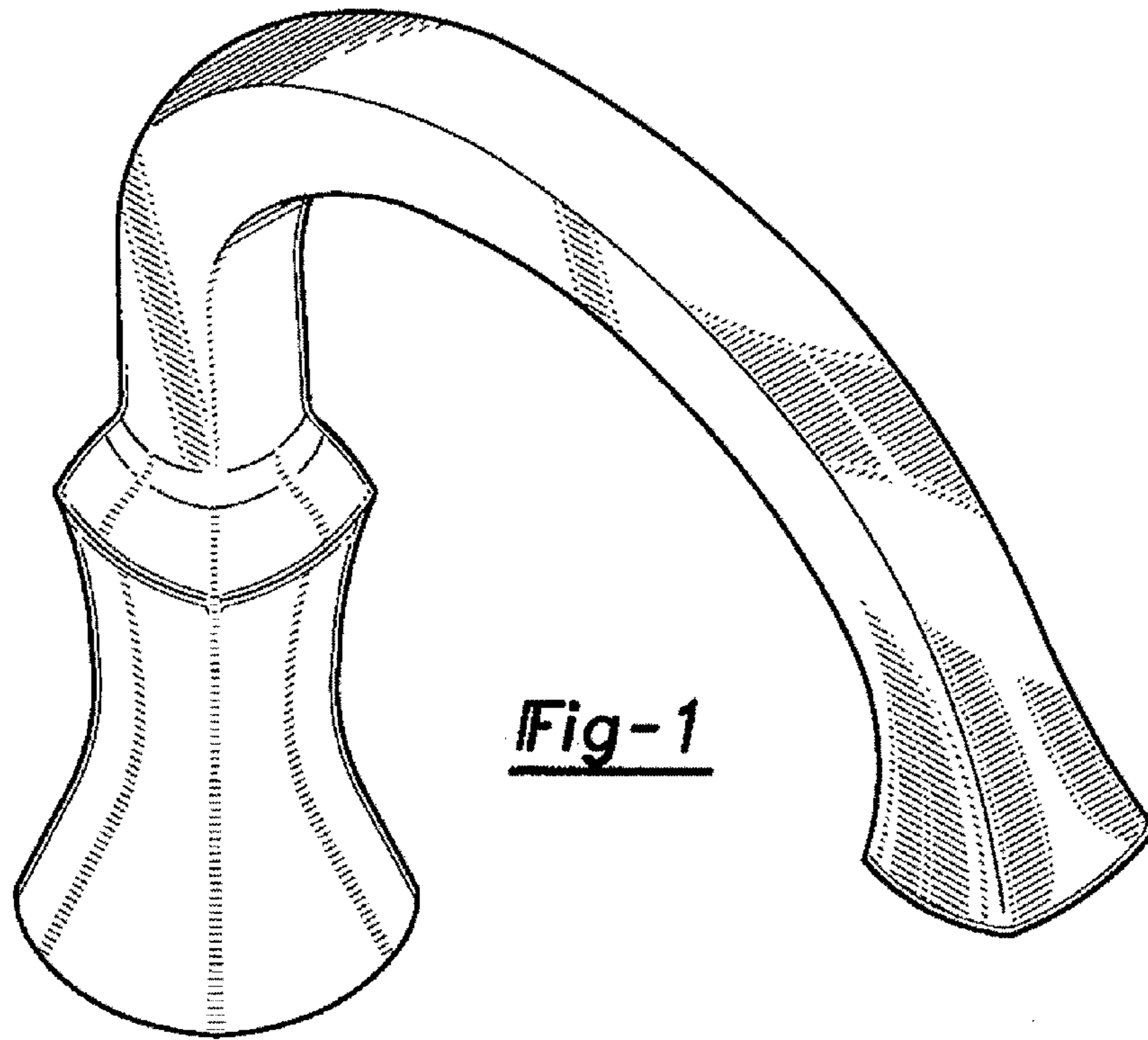


Fig-1

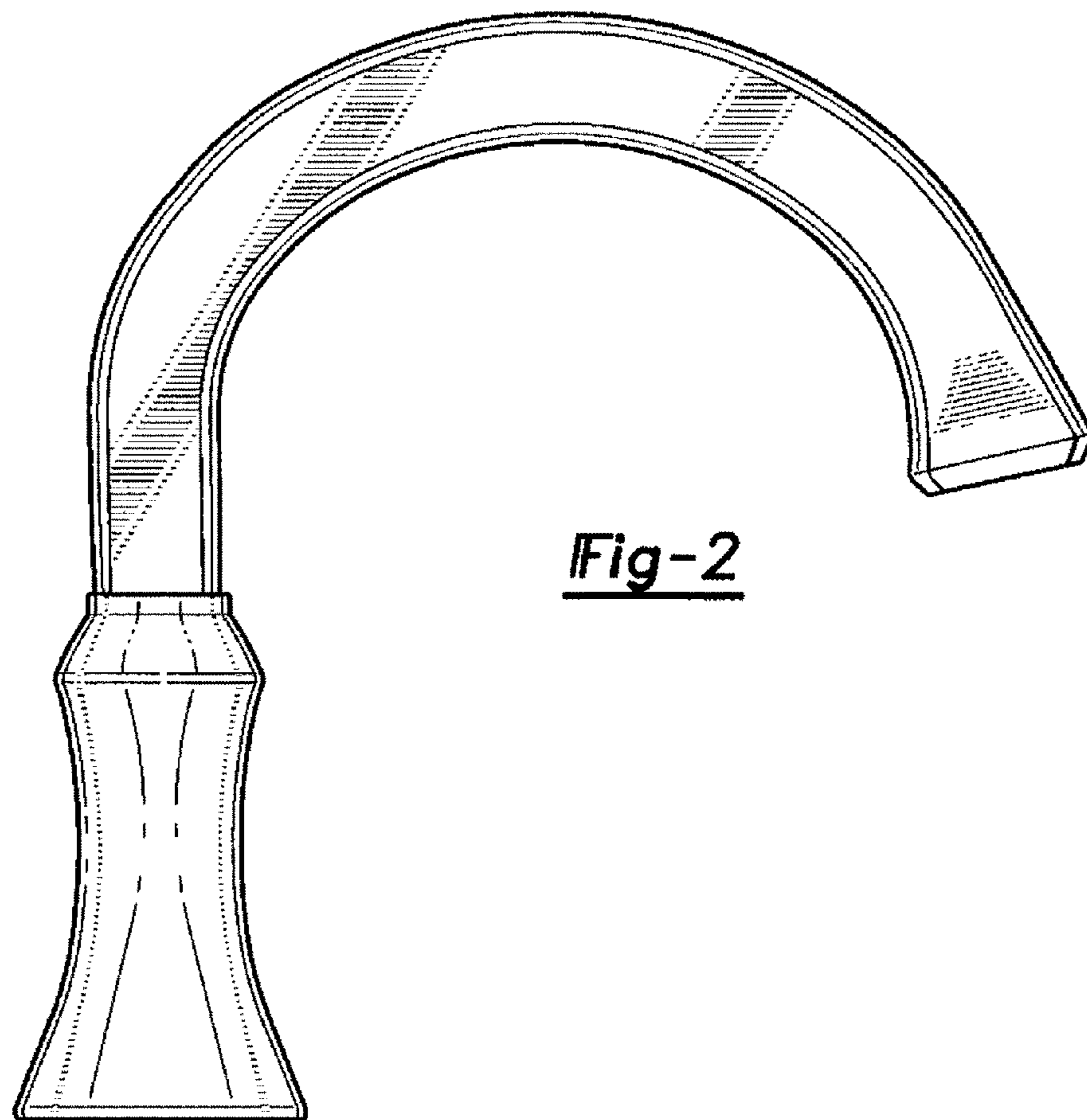


Fig-2

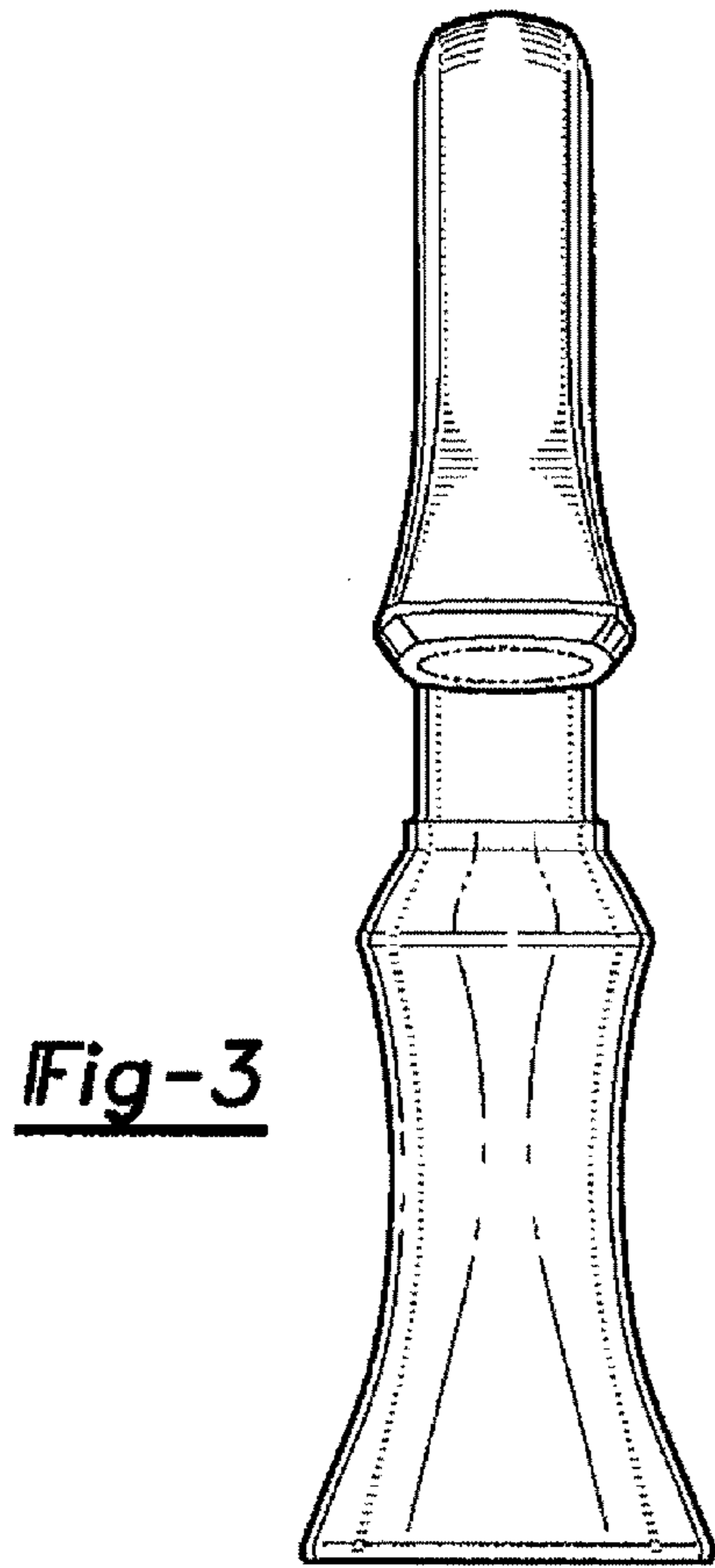


Fig-3

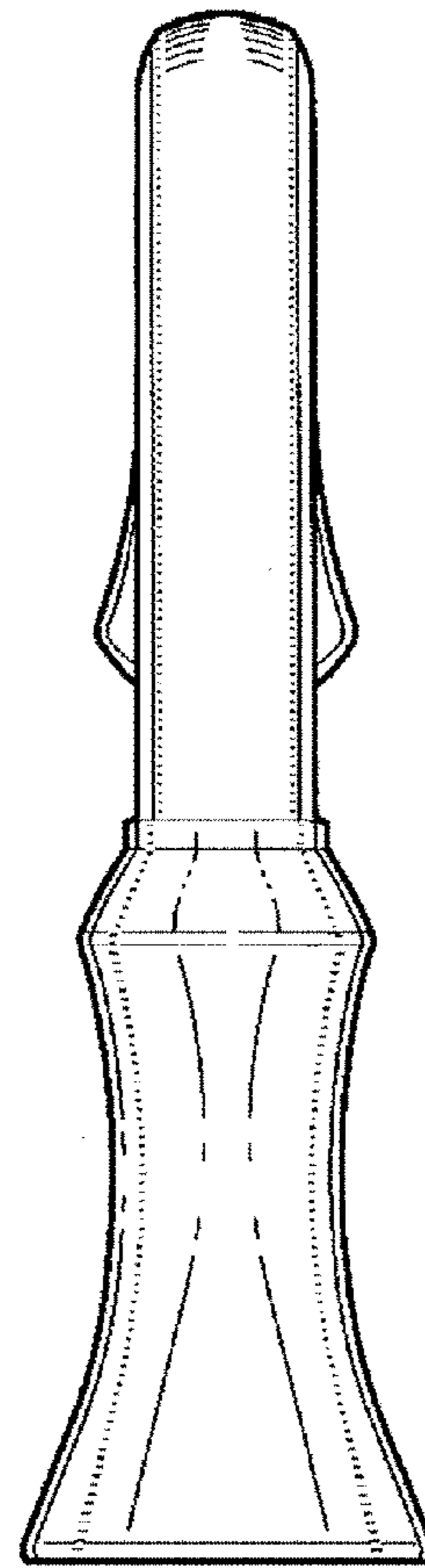


Fig-4

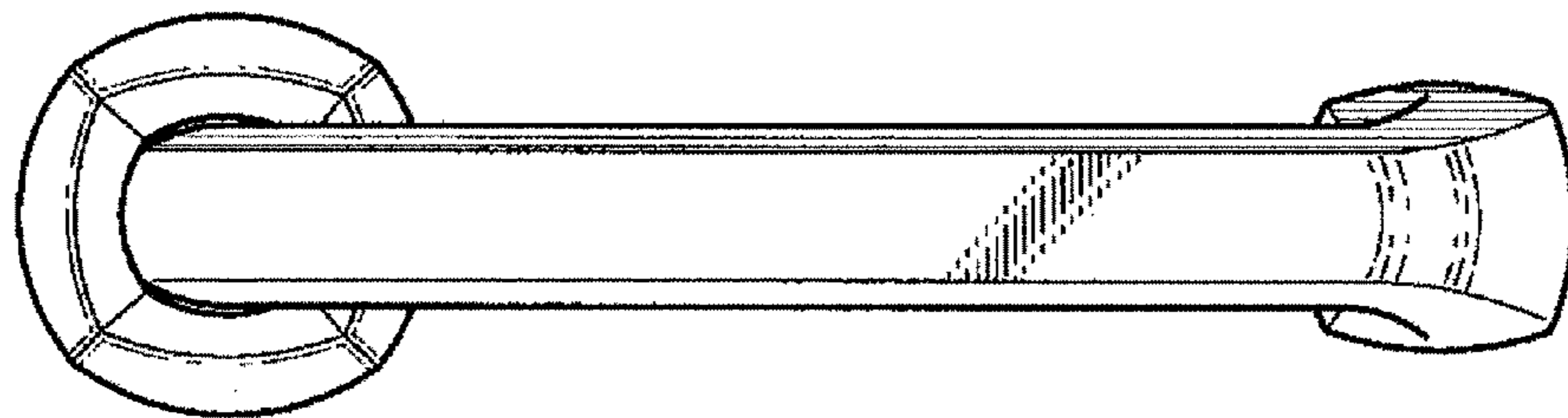


Fig-5

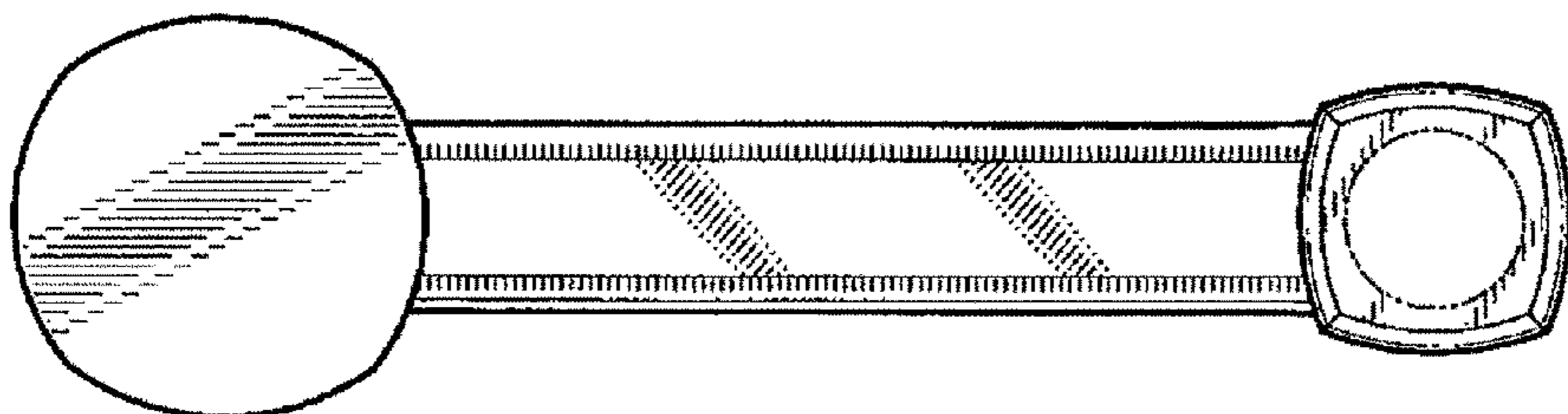


Fig-6