



US00D645122S

(12) **United States Design Patent**
Fritz

(10) **Patent No.:** **US D645,122 S**

(45) **Date of Patent:** **** Sep. 13, 2011**

(54) **FAUCET**

(75) Inventor: **Seth Fritz**, Carmel, IN (US)

(73) Assignee: **Masco Corporation of Indiana**,
Indianapolis, IN (US)

(**) Term: **14 Years**

(21) Appl. No.: **29/379,605**

(22) Filed: **Nov. 22, 2010**

(51) **LOC (9) Cl.** **23-01**

(52) **U.S. Cl.** **D23/238**

(58) **Field of Classification Search** D23/238-243,
D23/250, 255; 4/675-678; 137/801
See application file for complete search history.

(56) **References Cited**

U.S. PATENT DOCUMENTS

D532,868 S * 11/2006 Spangler et al. D23/238

D620,558 S * 7/2010 Krumpe D23/238

7,871,020 B2 * 1/2011 Nelson et al. 137/801

* cited by examiner

Primary Examiner — Robert Delehanty

(74) *Attorney, Agent, or Firm* — Edgar A. Zarins; Nirav D. Parikh

(57) **CLAIM**

The ornamental design for a faucet, as shown and described.

DESCRIPTION

FIG. 1 is a front perspective view of a faucet showing my new design;

FIG. 2 is a rear perspective view thereof;

FIG. 3 is a front elevational view thereof;

FIG. 4 is a rear view thereof;

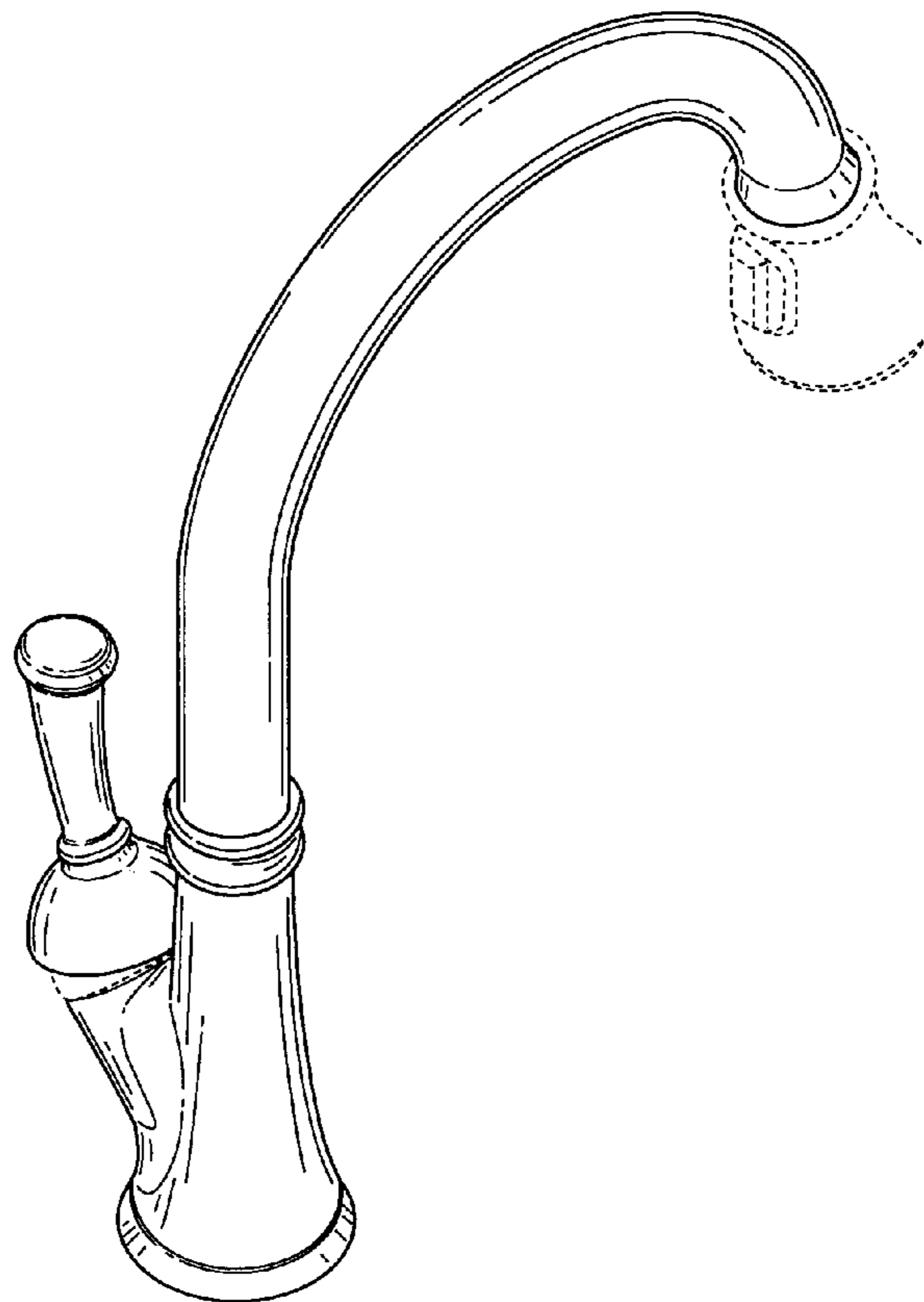
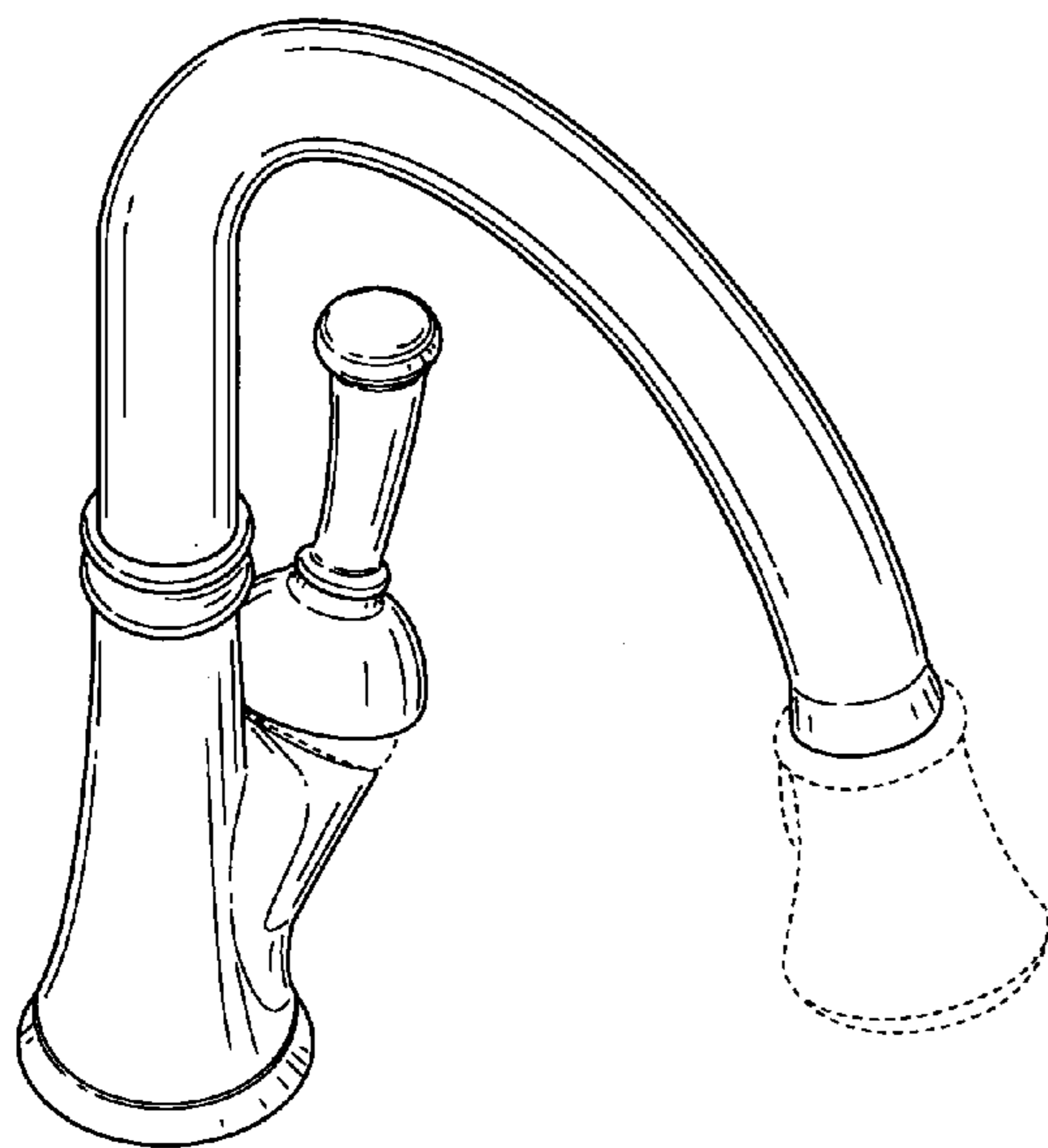
FIG. 5 is a right side view thereof;

FIG. 6 is a left side view thereof; and,

FIG. 7 is a top plan view thereof.

The broken lines showing portions of the faucet are included for the purpose of illustrating a portion of the faucet that forms no part of the claimed design.

1 Claim, 6 Drawing Sheets



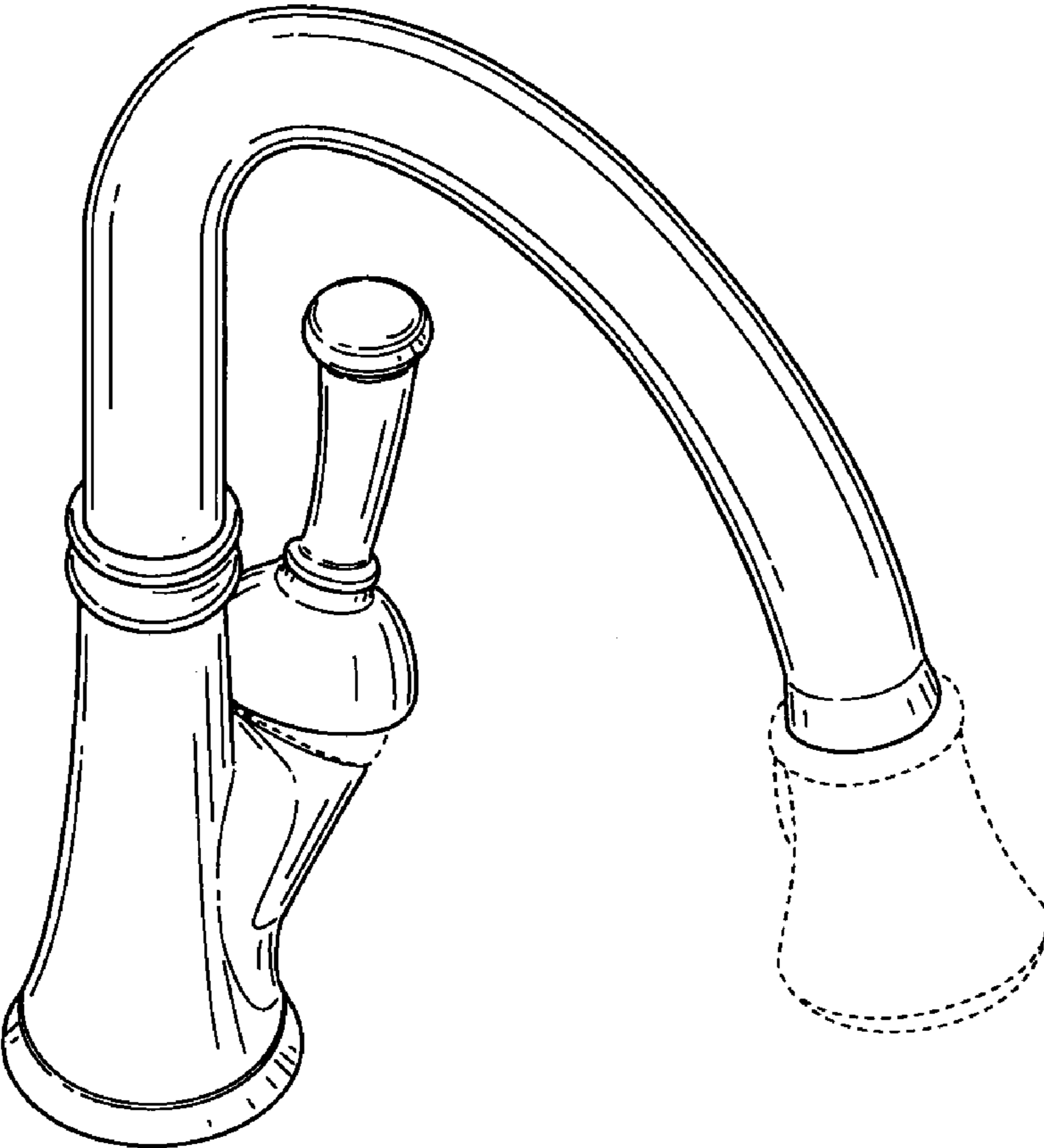


FIG. 1

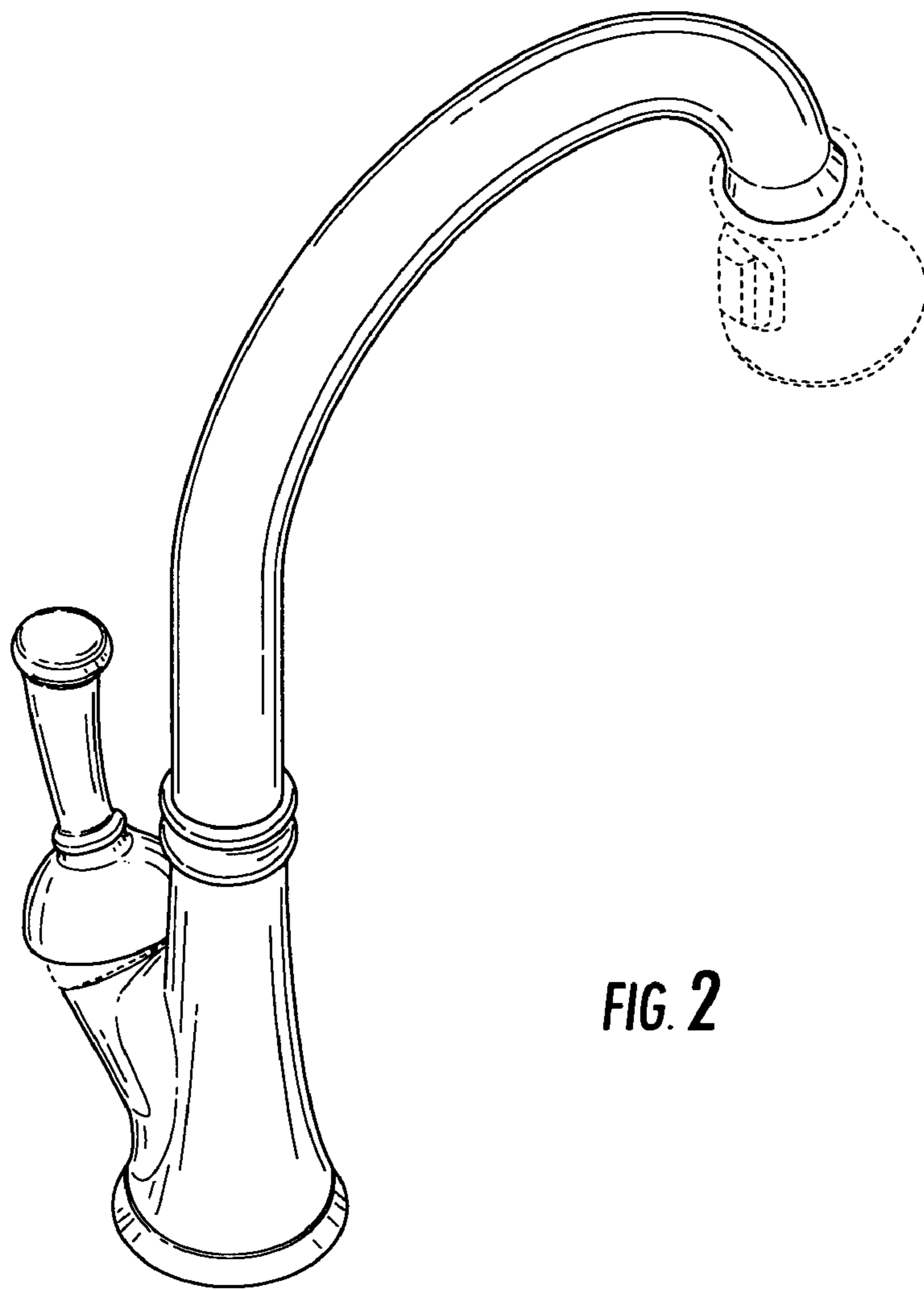


FIG. 2

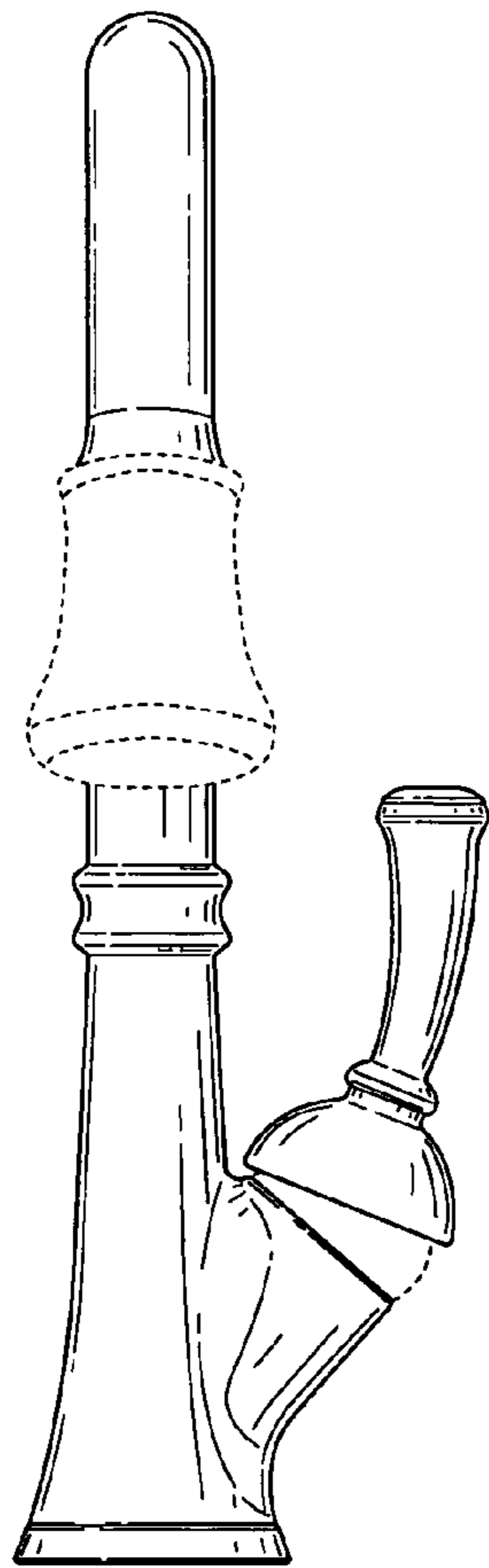


FIG. 3

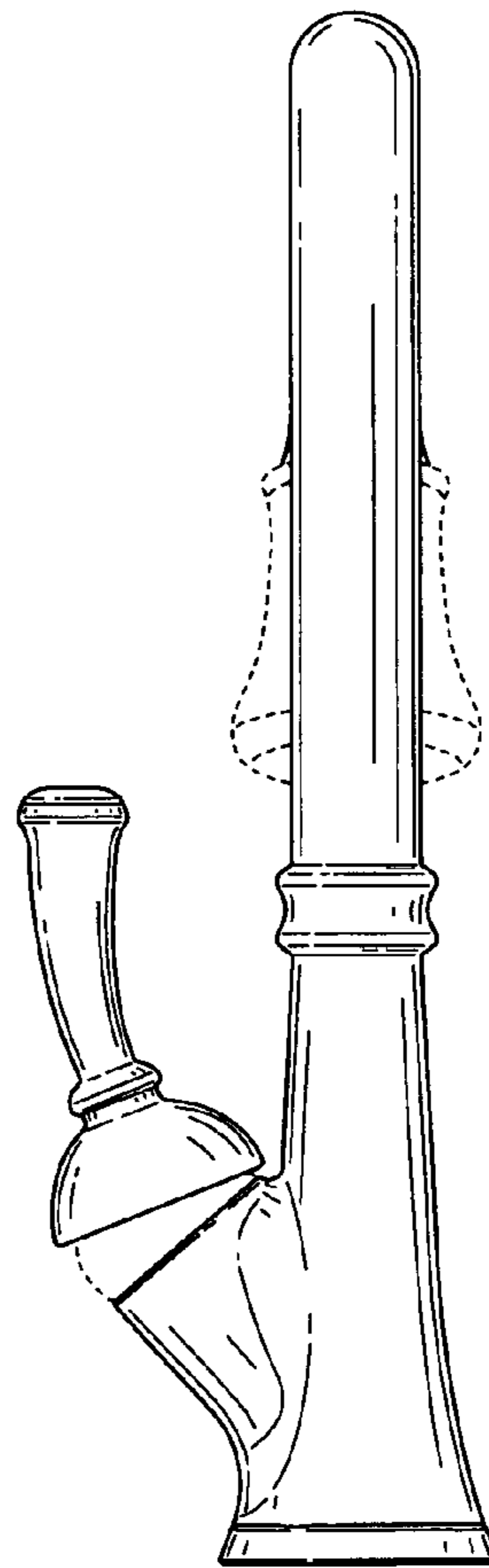


FIG. 4

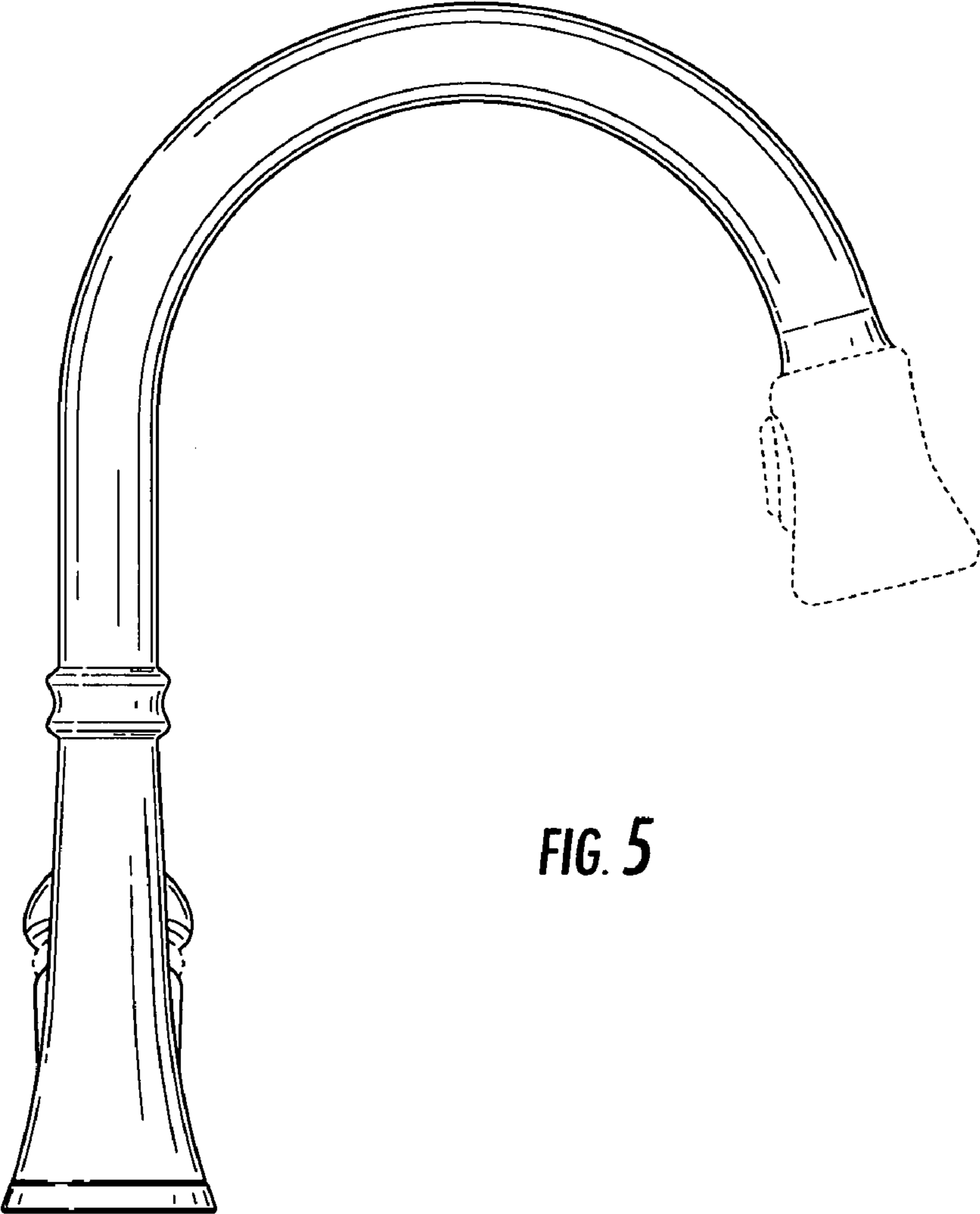


FIG. 5

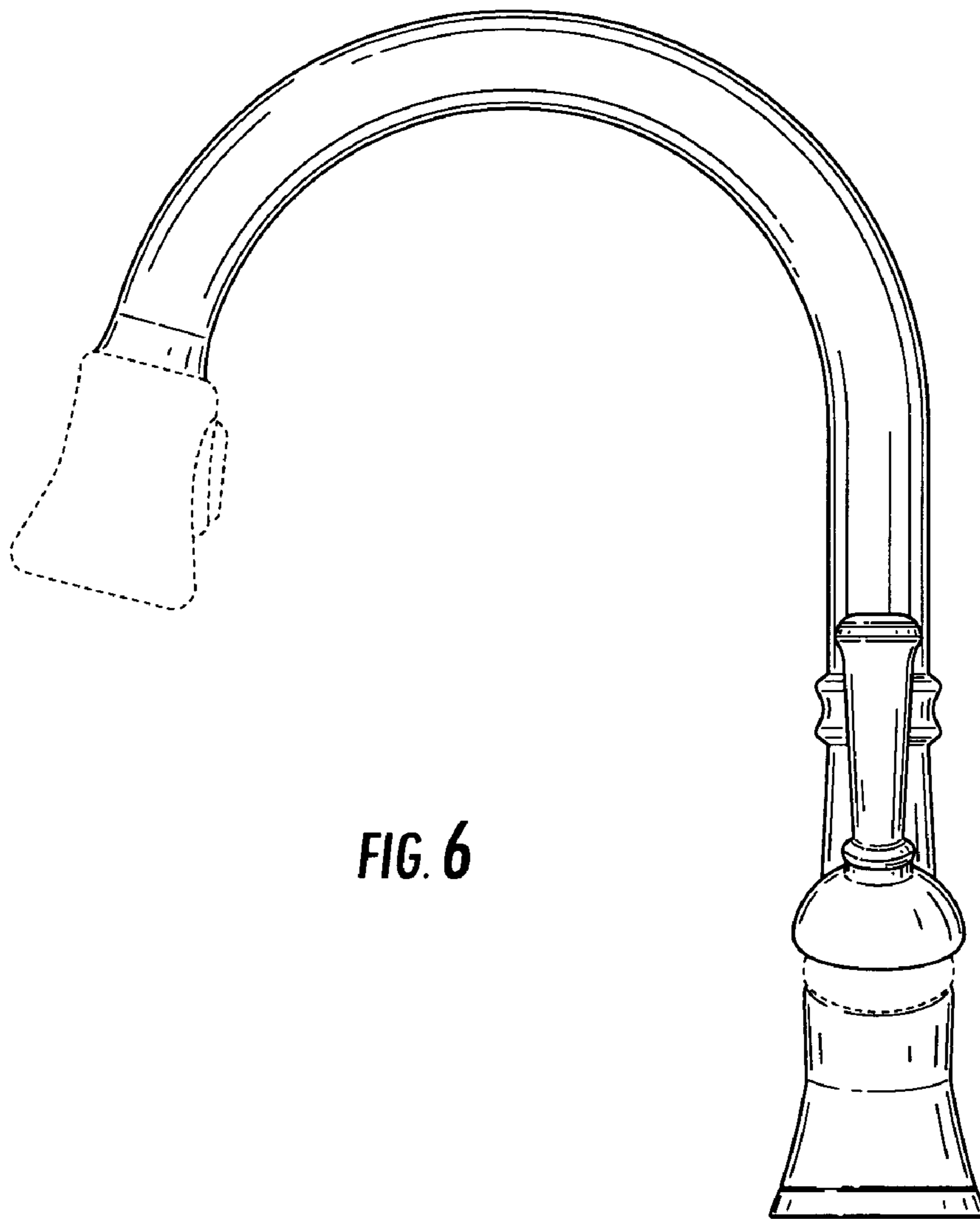


FIG. 6

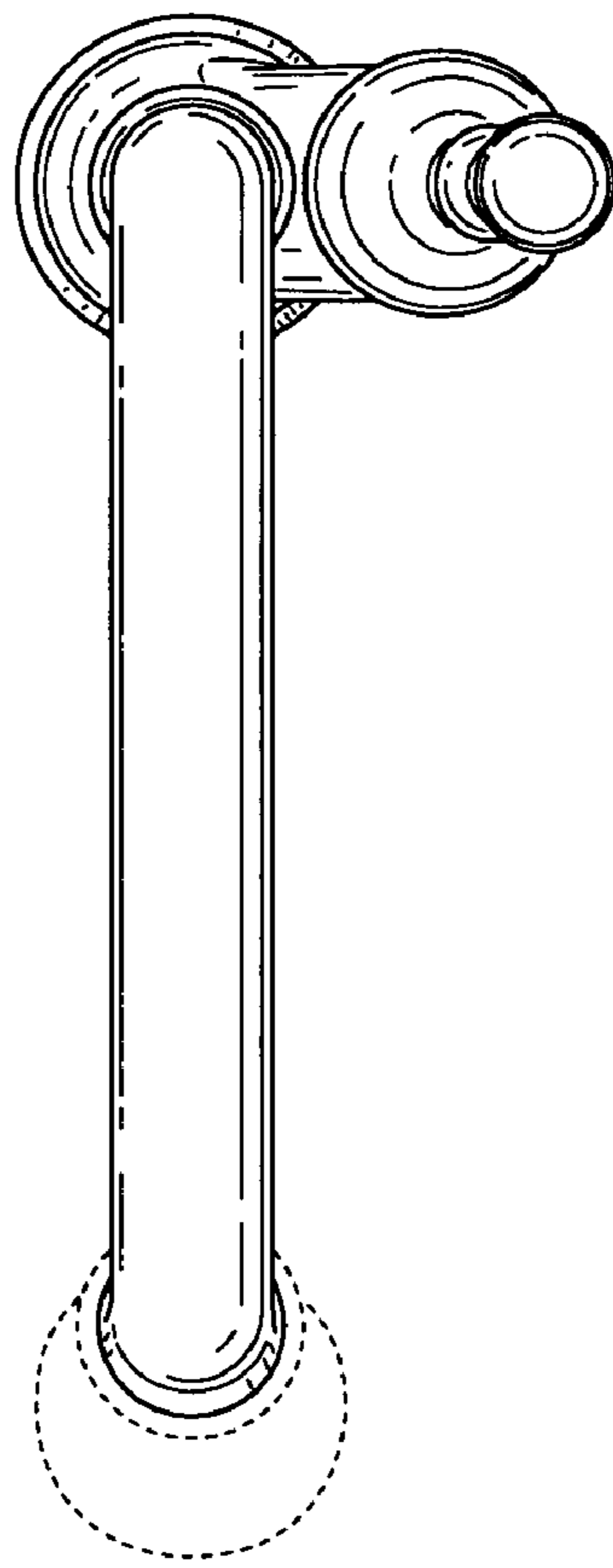


FIG. 7