

US00D645120S

(12) **United States Design Patent**
Lammel et al.

(10) **Patent No.:** **US D645,120 S**

(45) **Date of Patent:** **** Sep. 13, 2011**

(54) **FAUCET**

(75) Inventors: **Michael Lammel**, Aachen (DE);
Michael Zeisel, Aachen (DE)

(73) Assignee: **KWC AG**, Unterkulm (CH)

(**) Term: **14 Years**

(21) Appl. No.: **29/300,695**

(22) Filed: **Apr. 28, 2008**

Related U.S. Application Data

(62) Division of application No. 29/259,023, filed on May 2, 2006, now Pat. No. Des. 591,398.

(30) **Foreign Application Priority Data**

Nov. 3, 2005 (CH) 132.261

(51) **LOC (9) Cl.** **23-01**

(52) **U.S. Cl.** **D23/238**

(58) **Field of Classification Search** D23/238-257;
4/675-678; 137/801

See application file for complete search history.

(56) **References Cited**

U.S. PATENT DOCUMENTS

6,220,298 B1	4/2001	Wu	
D444,212 S	6/2001	Fleischmann	
D468,397 S *	1/2003	Czerwinski, Jr.	D23/238
D469,157 S *	1/2003	Lobermeier	D23/238
D479,309 S	9/2003	Haug et al.	
D479,579 S	9/2003	Haug et al.	
D481,104 S	10/2003	Wettstein et al.	
D481,105 S	10/2003	Wettstein et al.	
D481,445 S *	10/2003	Haug et al.	D23/238
D516,171 S *	2/2006	Meylan	D23/238
D526,389 S *	8/2006	Lammel et al.	D23/238
D527,074 S	8/2006	Lammel et al.	
D527,076 S *	8/2006	Kolin et al.	D23/241
D528,188 S	9/2006	Lammel et al.	

D528,189 S *	9/2006	Kulig	D23/238
D528,635 S	9/2006	Lammel et al.	
D529,131 S	9/2006	Haug et al.	
D532,483 S *	11/2006	Lobermeier et al.	D23/238
D538,402 S	3/2007	Lammel et al.	
D539,870 S	4/2007	Lammel et al.	
D544,072 S	6/2007	Gloor	
D550,813 S	9/2007	Lammel et al.	
D566,238 S	4/2008	Lammel et al.	
D575,848 S *	8/2008	Kirar	D23/238
D576,707 S *	9/2008	Schonherr et al.	D23/238
D586,882 S *	2/2009	Cummings et al.	D23/238
D589,594 S *	3/2009	Lammel et al.	D23/238
D593,184 S *	5/2009	Gloor	D23/238
D598,071 S *	8/2009	Lammel et al.	D23/238

(Continued)

OTHER PUBLICATIONS

U.S. Appl. No. 29/335,510, filed Apr. 16, 2009, Lammel, et al.

(Continued)

Primary Examiner — T. Chase Nelson

Assistant Examiner — Michael Pratt

(74) *Attorney, Agent, or Firm* — Oblon, Spivak,
McClelland, Maier & Neustadt, L.L.P.

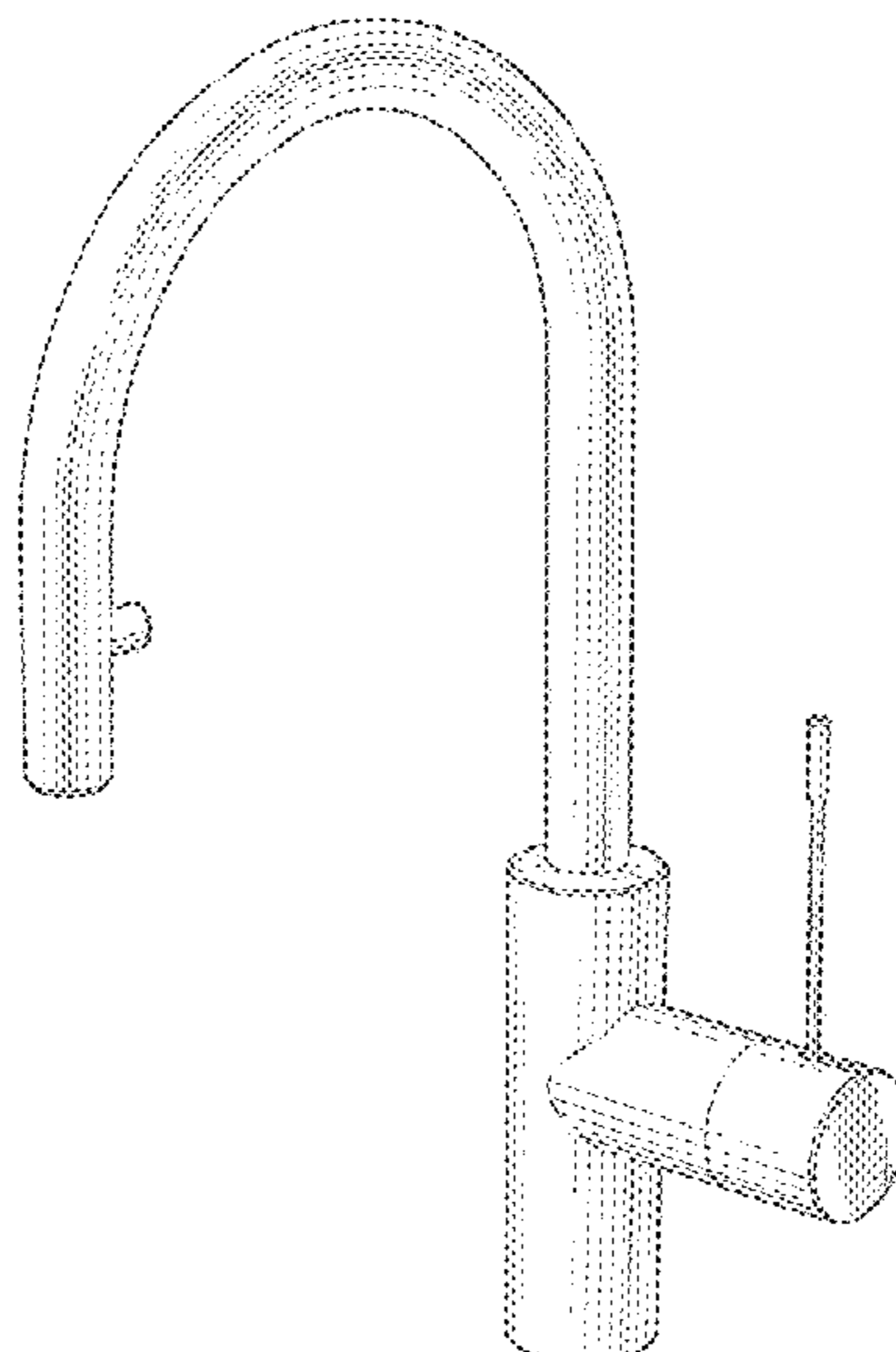
(57) **CLAIM**

The ornamental design for a faucet, or the like, as shown.

DESCRIPTION

FIG. 1 is a top and right front perspective view of a faucet, or the like, showing our new design;
FIG. 2 is a top and right rear perspective view thereof;
FIG. 3 is a front elevational view thereof;
FIG. 4 is a bottom and right front perspective view thereof;
FIG. 5 is a top plan view;
FIG. 6 is a left side elevational view; and,
FIG. 7 is a top and left front perspective view of the handle element thereof.

1 Claim, 7 Drawing Sheets



US D645,120 S

Page 2

U.S. PATENT DOCUMENTS

D612,015 S * 3/2010 Lammell et al. D23/238
D612,910 S * 3/2010 Lammell et al. D23/238
2006/0289343 A1 12/2006 Schmitt et al.

OTHER PUBLICATIONS

U.S. Appl. No. 29/309,648, filed Sep. 19, 2008, Lammell, et al.
U.S. Appl. No. 29/309,652, filed Sep. 22, 2008, Lammell, et al.

U.S. Appl. No. 29/287,563, filed Aug. 23, 2007, Lammell, et al.
“Architecture World” Magazine for the 1st half of year 2003, p. 1789
with cover page.

U.S. Appl. No. 29/311,904, filed Jul. 29, 2009, Lammell, et al.
U.S. Appl. No. 29/332,391, filed Feb. 13, 2009, Lammell, et al.
U.S. Appl. No. 29/382,048, filed Dec. 28, 2010, Lammell, et al.

* cited by examiner

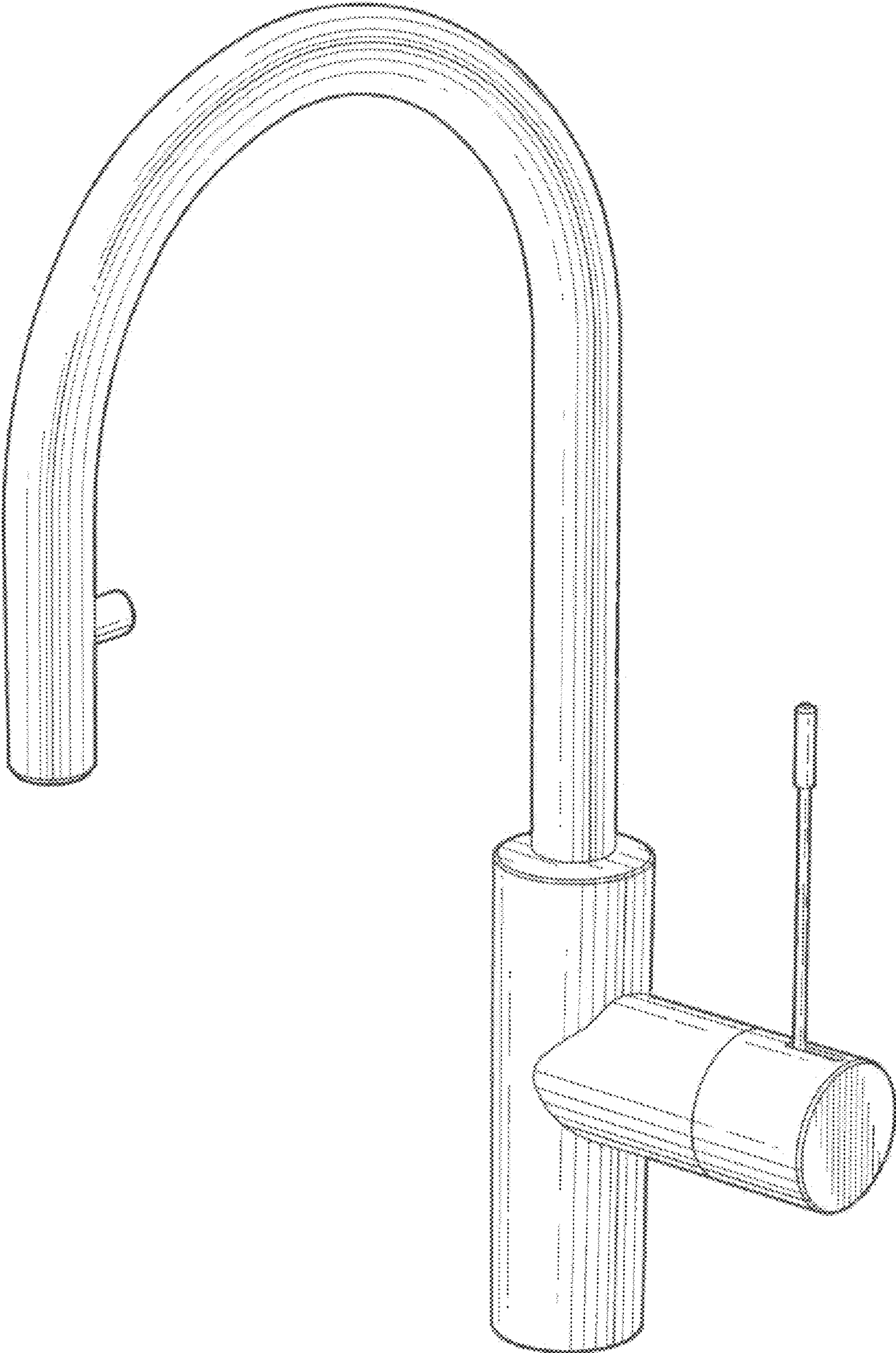


Fig. 1

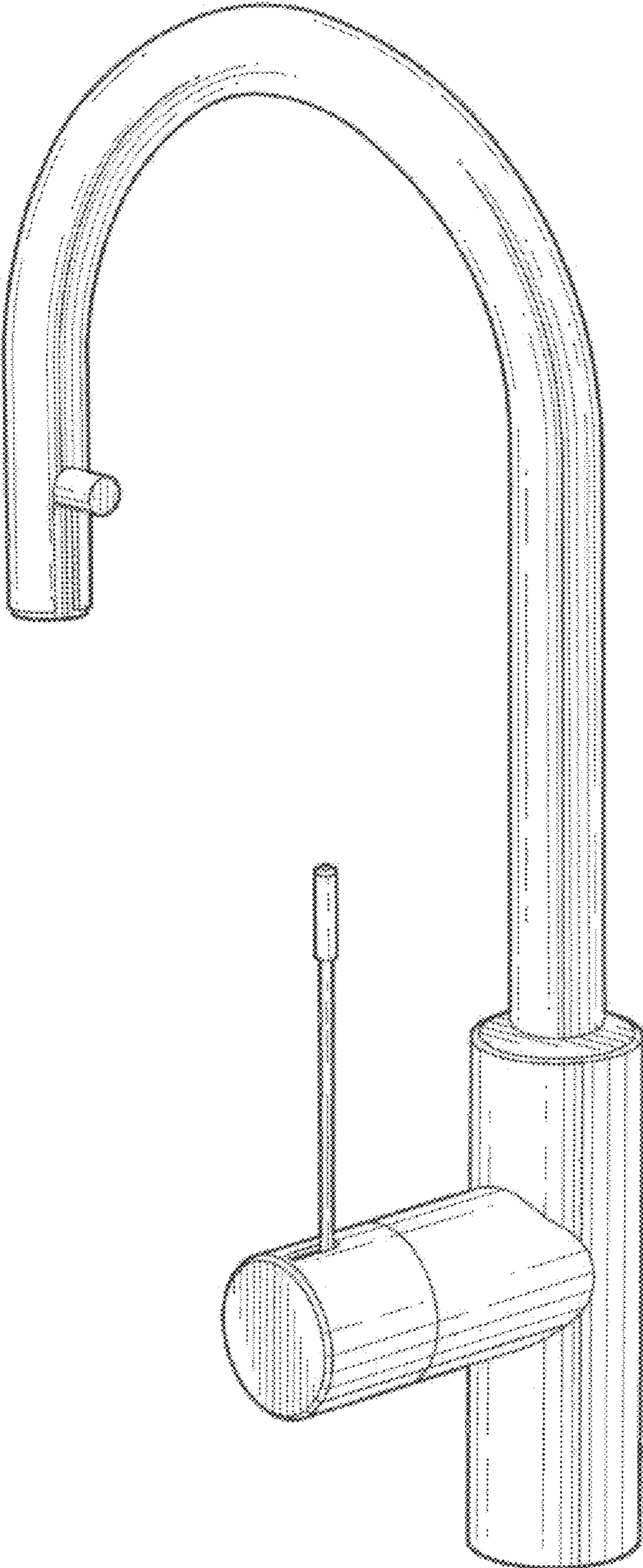


Fig. 2

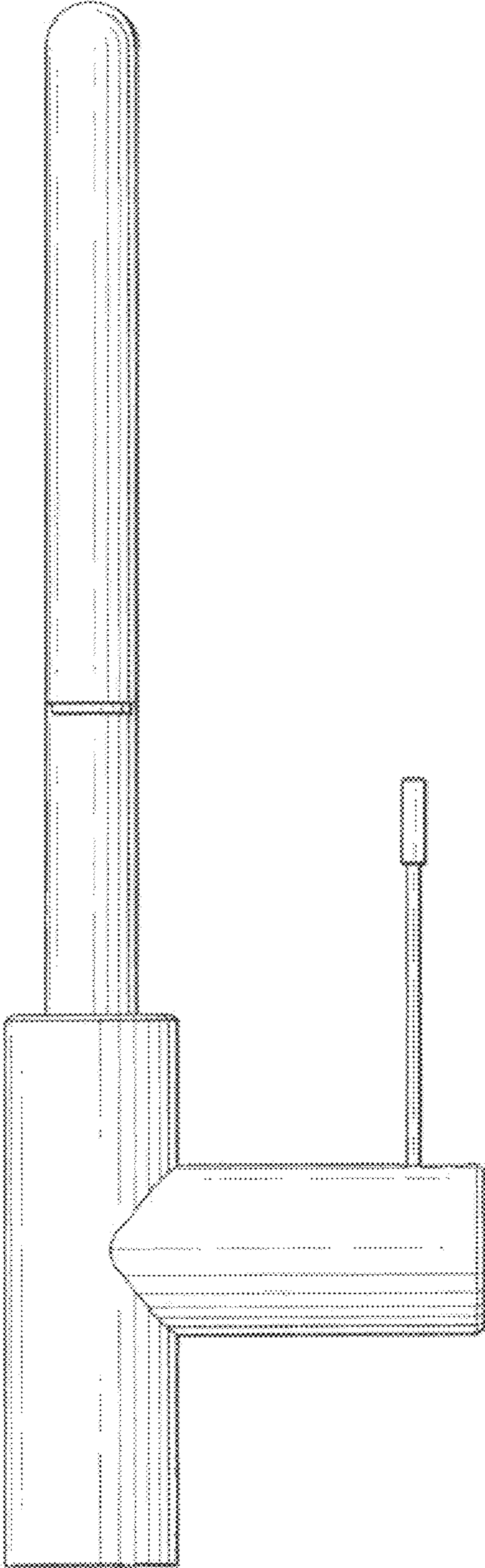


Fig. 3

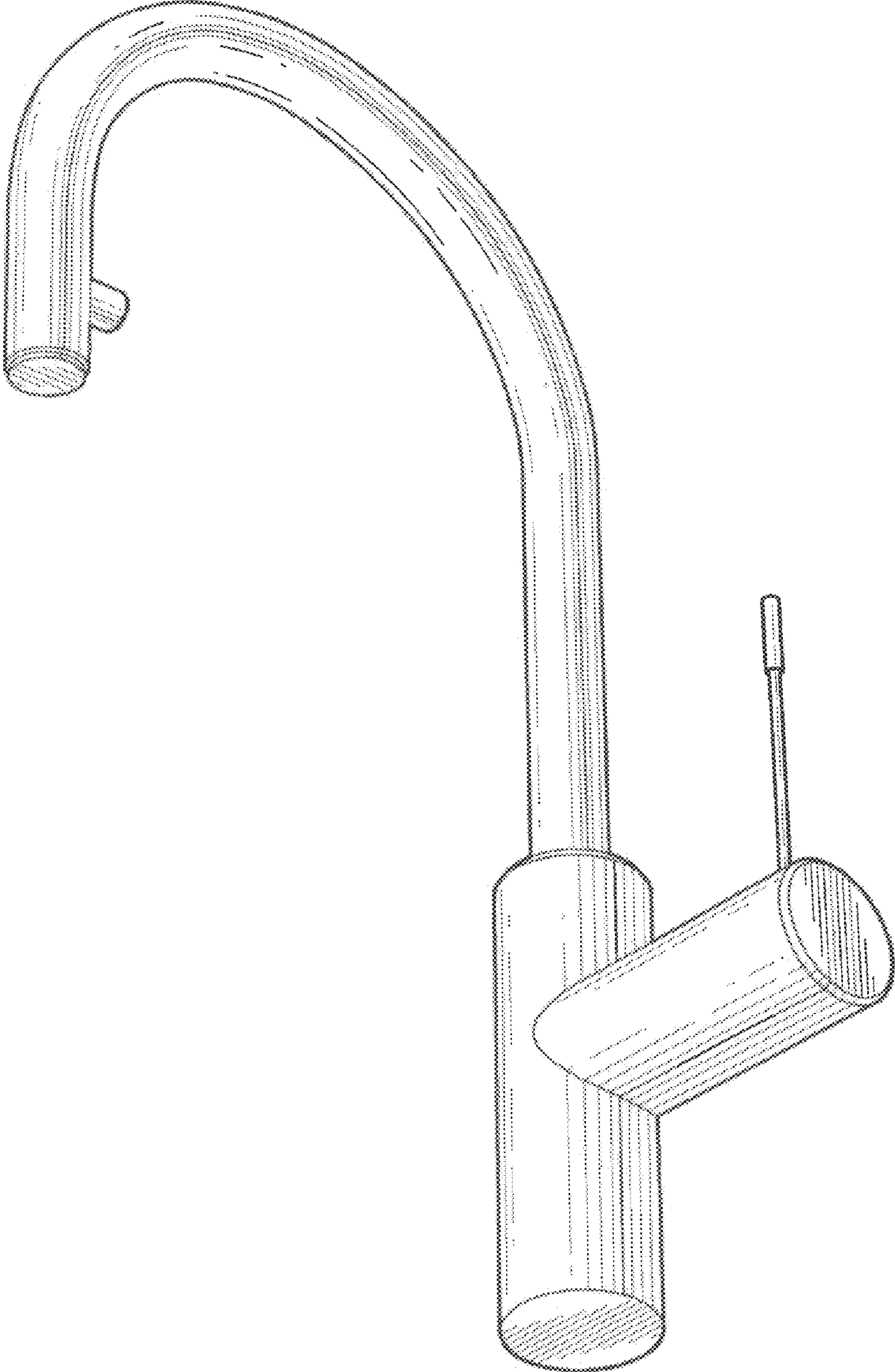


Fig. 4

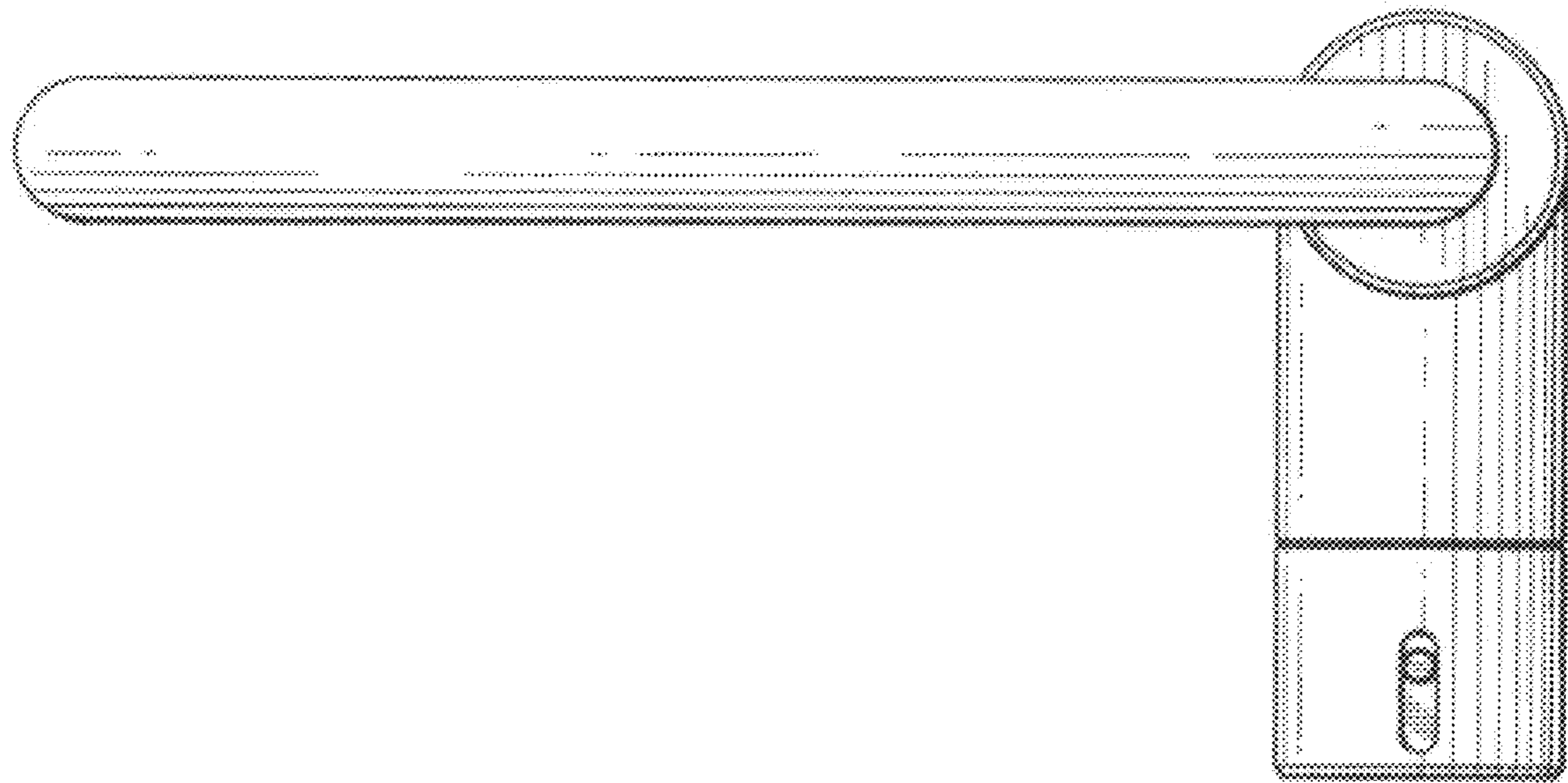


Fig. 5

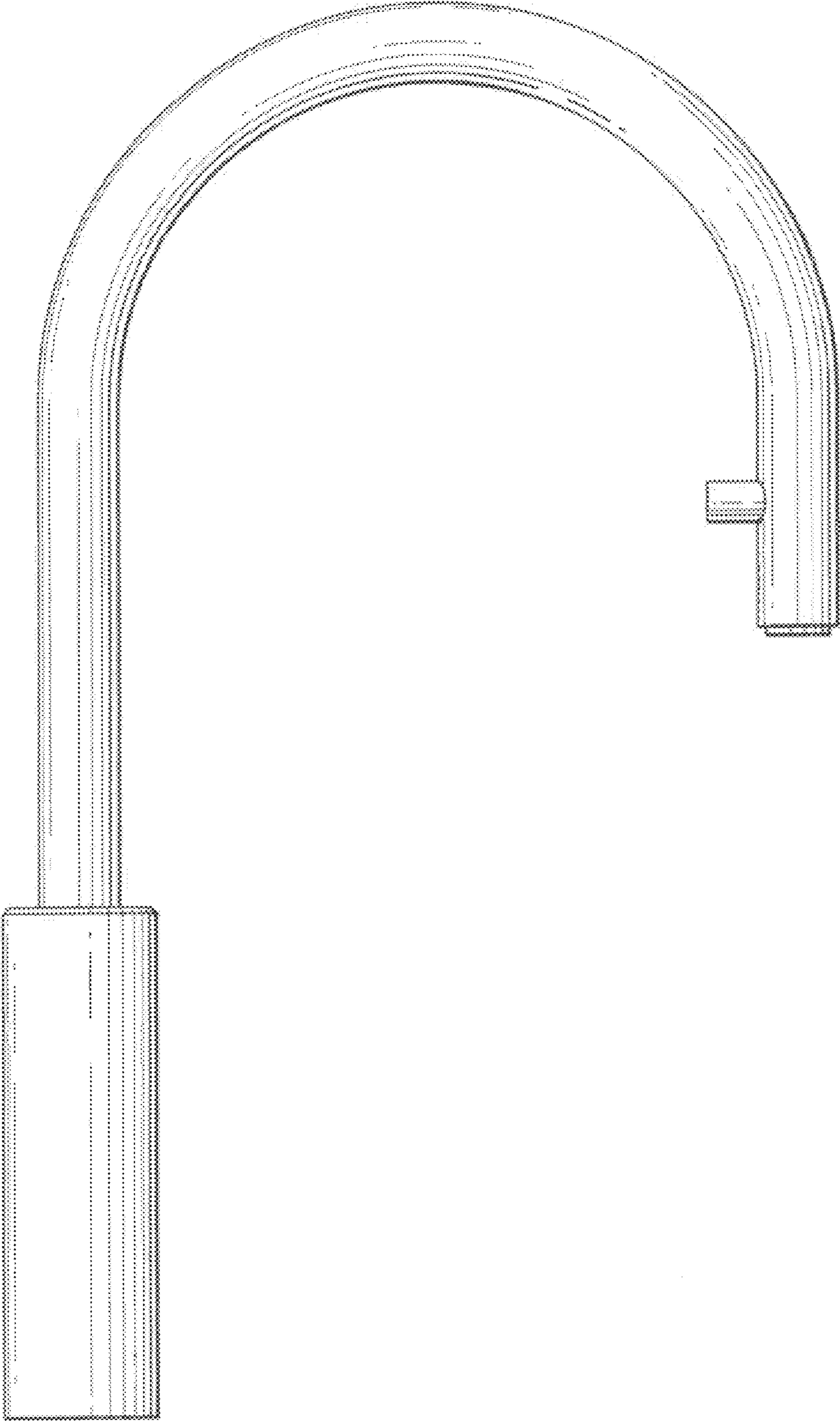


Fig. 6

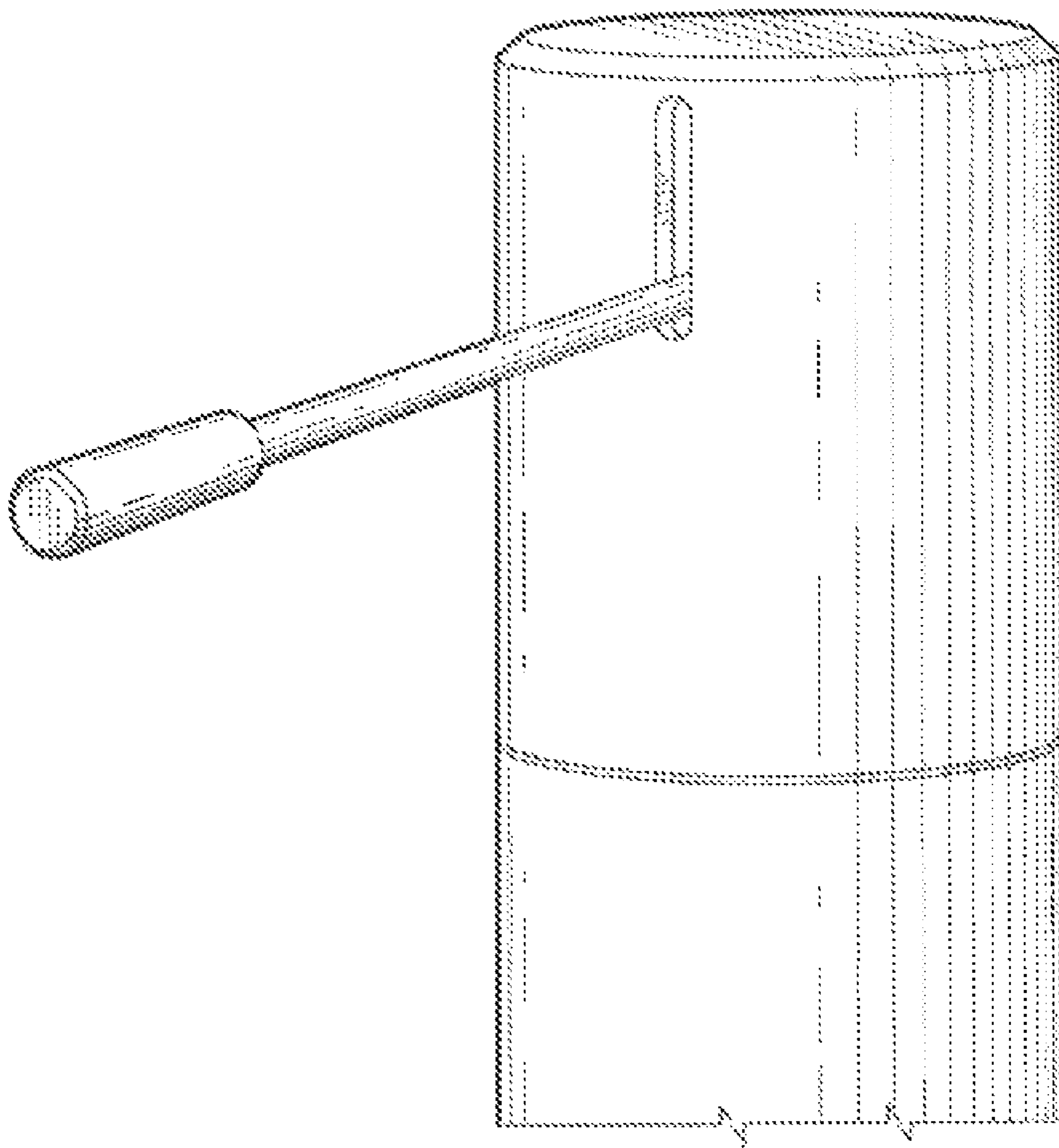


Fig. 7