



US00D645119S

(12) **United States Design Patent**
Fujiyama

(10) **Patent No.:** **US D645,119 S**

(45) **Date of Patent:** **** Sep. 13, 2011**

(54) **VALVING ELEMENT FOR BUTTERFLY VALVE**

(75) Inventor: **Daishi Fujiyama**, Hirakata (JP)

(73) Assignee: **Kubota Corporation** (JP)

(**) Term: **14 Years**

(21) Appl. No.: **29/386,541**

(22) Filed: **Mar. 2, 2011**

(51) **LOC (9) Cl.** **23-01**

(52) **U.S. Cl.** **D23/233**

(58) **Field of Classification Search** D23/233-237,
D23/244-249; 251/121, 205-209, 212-215,
251/283, 286, 288, 292, 293, 304, 305, 307,
251/309-315.01, 317, 317.01; 137/625.21,
137/625.23, 625.31

See application file for complete search history.

(56) **References Cited**

U.S. PATENT DOCUMENTS

2,053,668	A *	9/1936	Kinzie et al.	251/213
4,294,428	A *	10/1981	Okada et al.	251/214
4,667,883	A *	5/1987	Fink, Jr.	239/569
6,079,695	A *	6/2000	Gasaway et al.	251/305
6,595,488	B2 *	7/2003	Zwick	251/214
6,758,458	B2 *	7/2004	Ando et al.	251/305
6,959,690	B1 *	11/2005	Reynard	123/337
7,490,627	B2 *	2/2009	Hourai	137/625.31
D620,555	S *	7/2010	Chuang et al.	D23/233

* cited by examiner

Primary Examiner — Cathron C. Brooks

Assistant Examiner — Maurice Stevens

(74) *Attorney, Agent, or Firm* — Kusner & Jaffe

(57) **CLAIM**

The ornamental design for the valving element for butterfly valve, as shown and described.

DESCRIPTION

FIG. 1 is a rear perspective view of a valving element showing my new design;

FIG. 2 is a first, front perspective view thereof;

FIG. 3 is a second, front perspective view thereof;

FIG. 4 is a front view thereof;

FIG. 5 is a rear view thereof;

FIG. 6 is a top view thereof;

FIG. 7 is a bottom view thereof;

FIG. 8 is a left side view thereof;

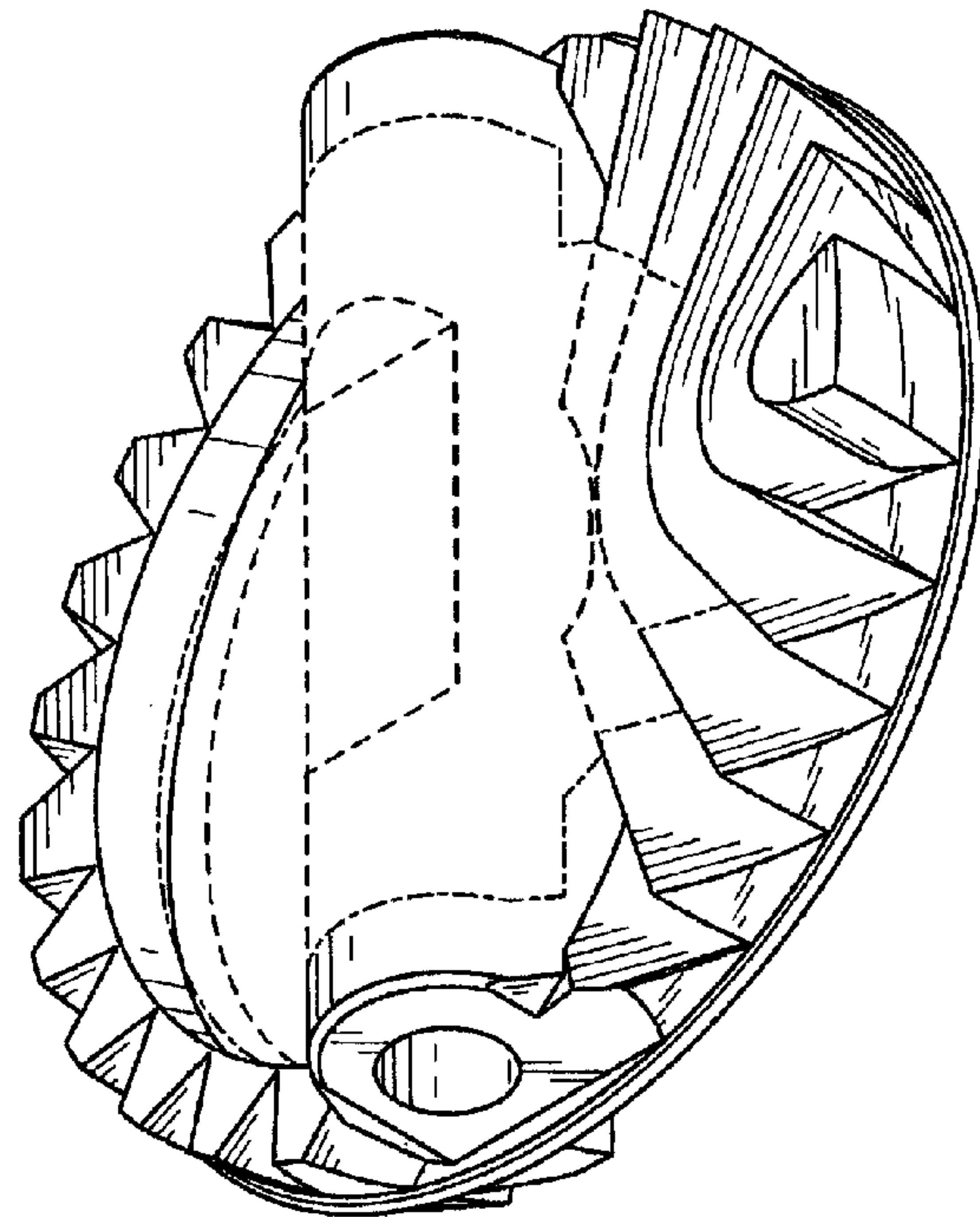
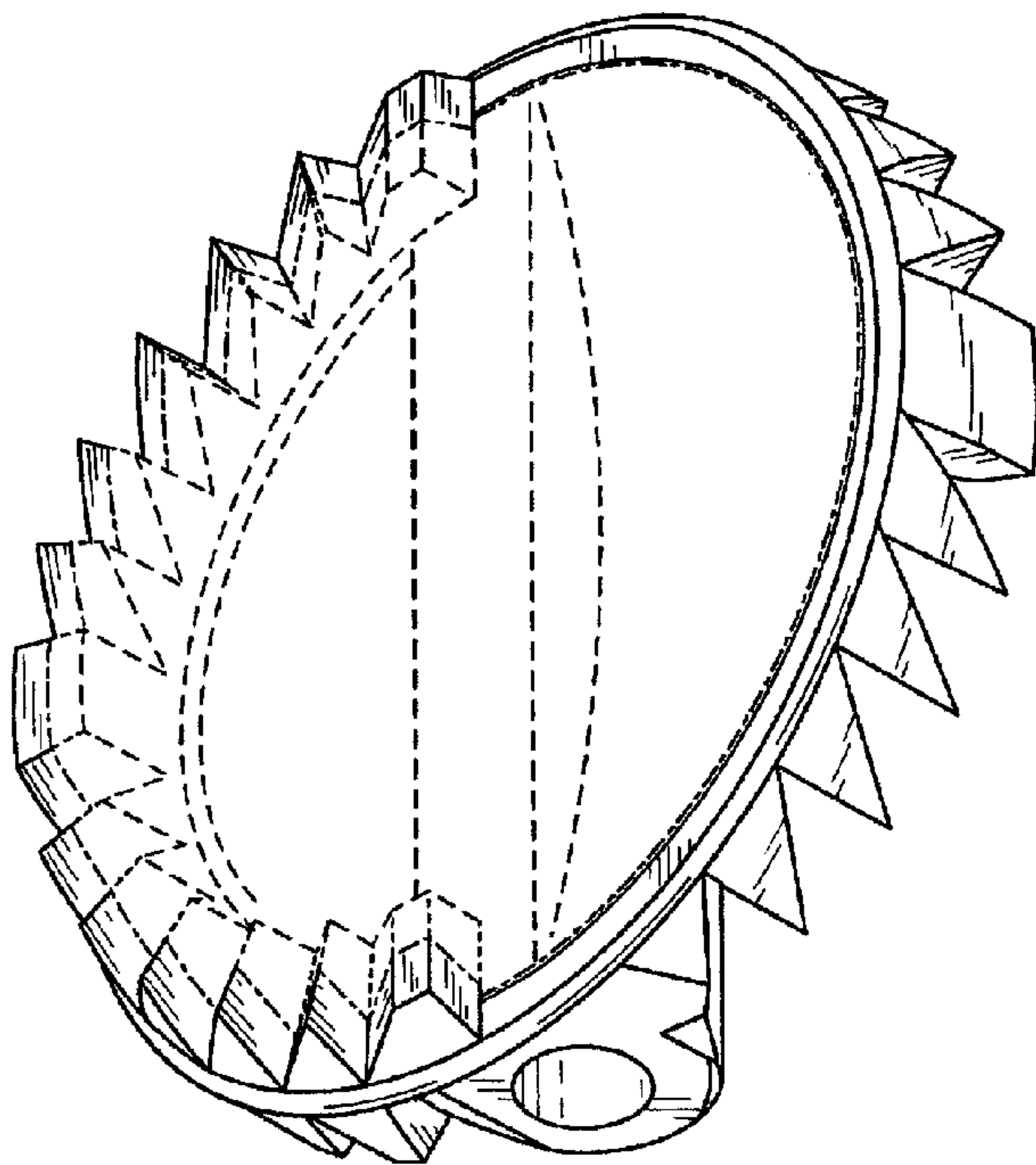
FIG. 9 is a right side view thereof;

FIG. 10 is a cross-sectional view taken along lines 10-10 of FIG. 4; and,

FIG. 11 is a cross-sectional view taken along lines 11-11 of FIG. 4.

The broken lines represent unclaimed portions of the valving element. The dash-dot lines represent boundaries between claimed and unclaimed areas. Neither lines form a part of the claimed design.

1 Claim, 5 Drawing Sheets



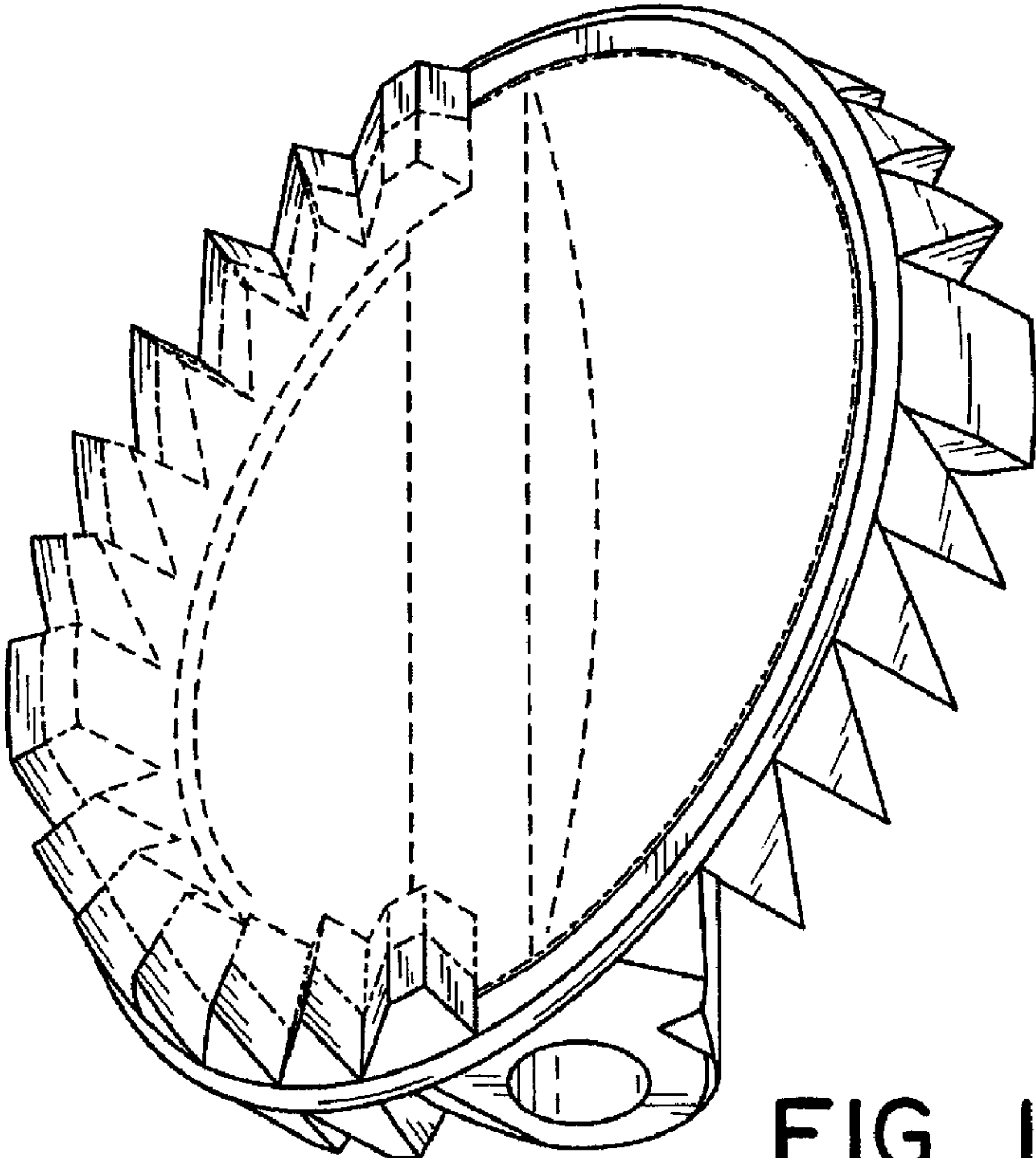


FIG. 1

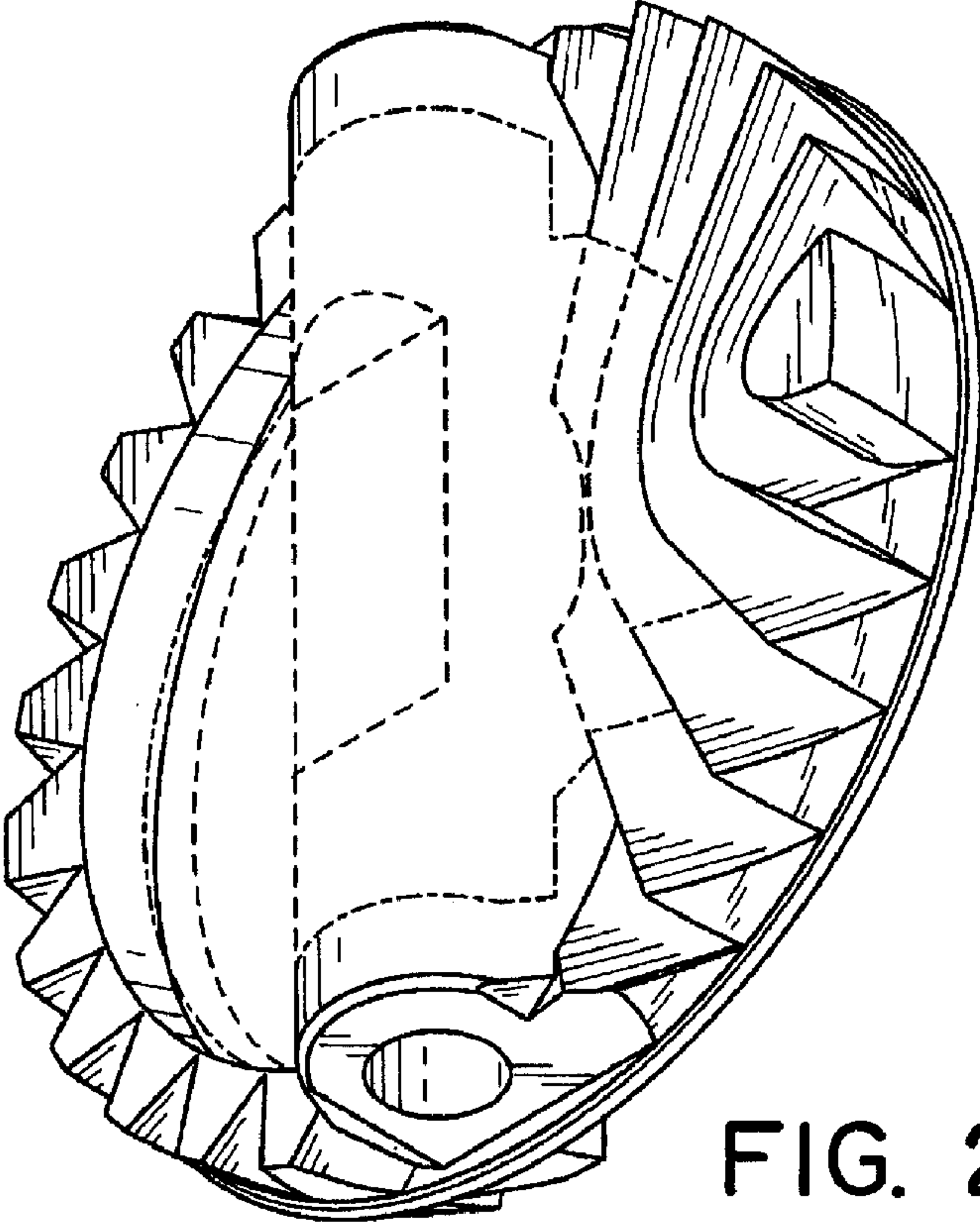


FIG. 2

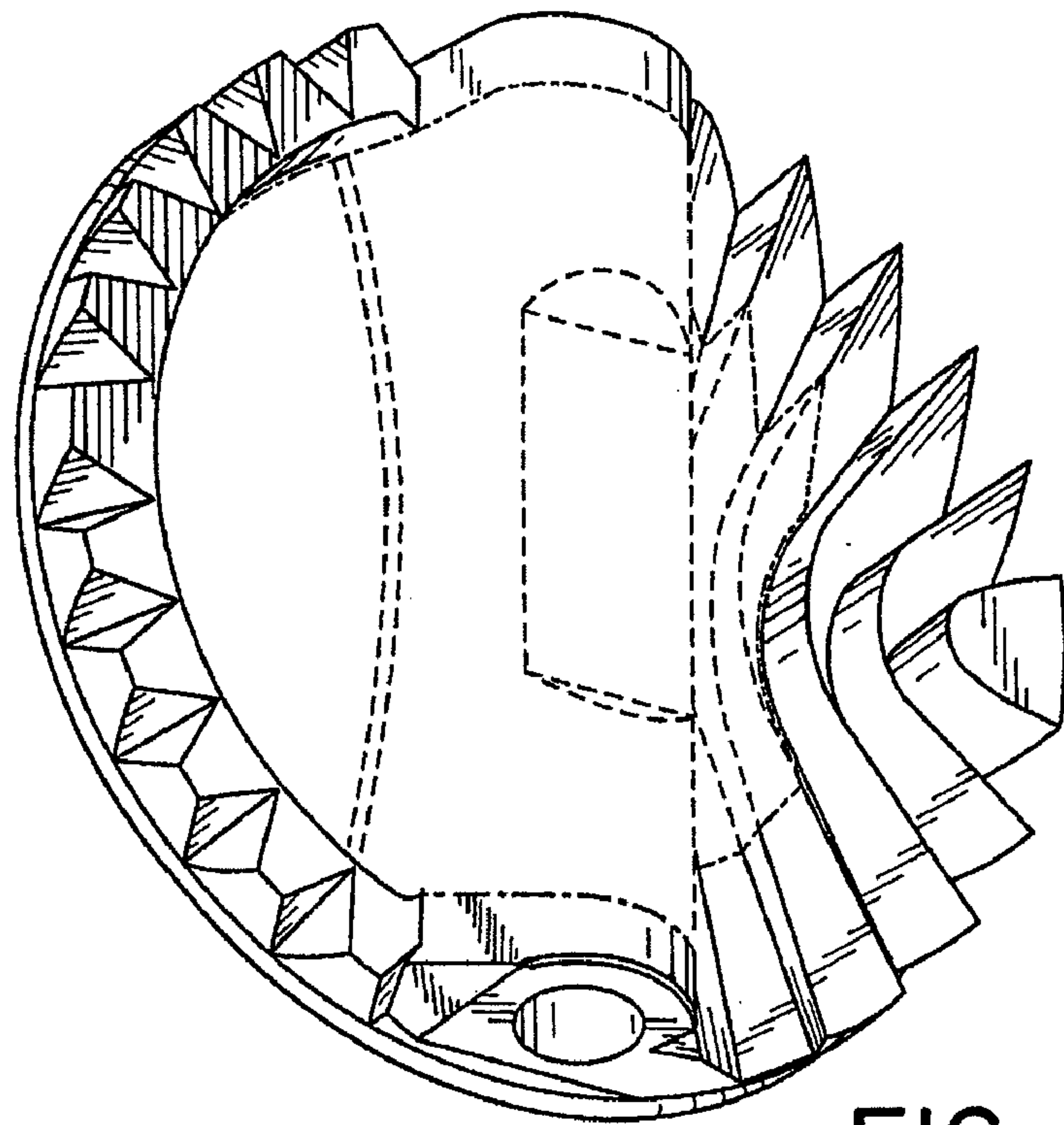


FIG. 3

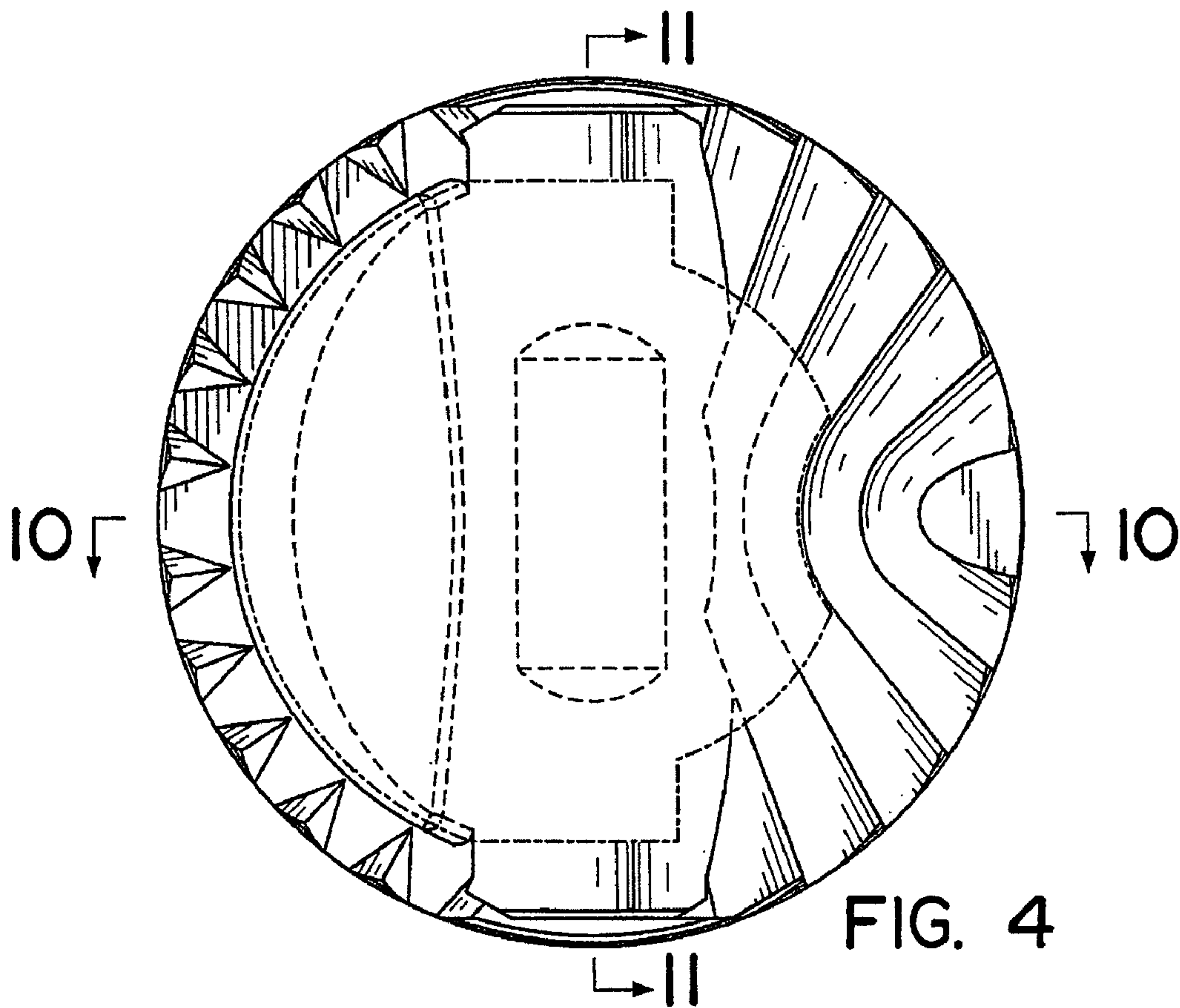


FIG. 4

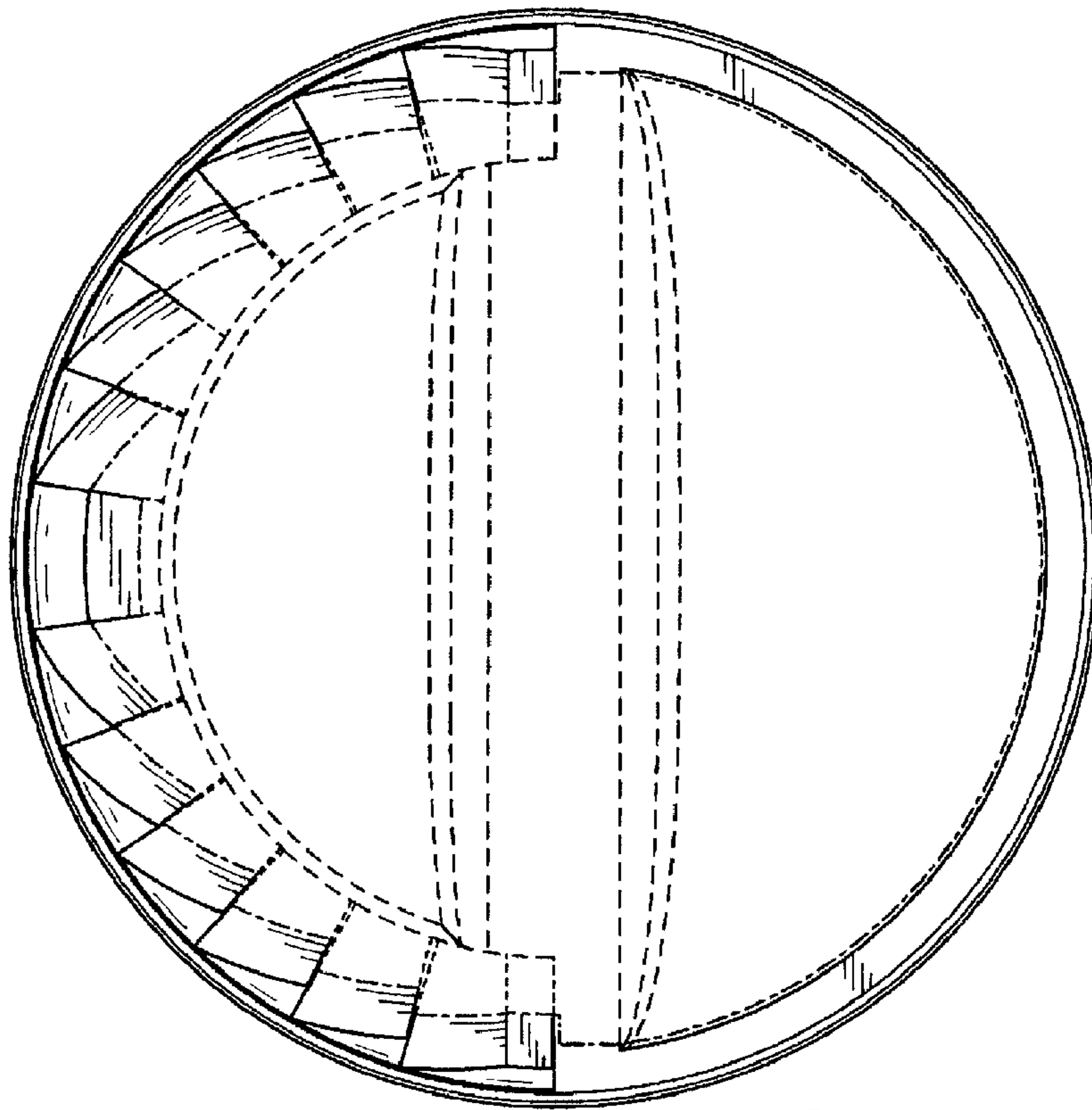


FIG. 5

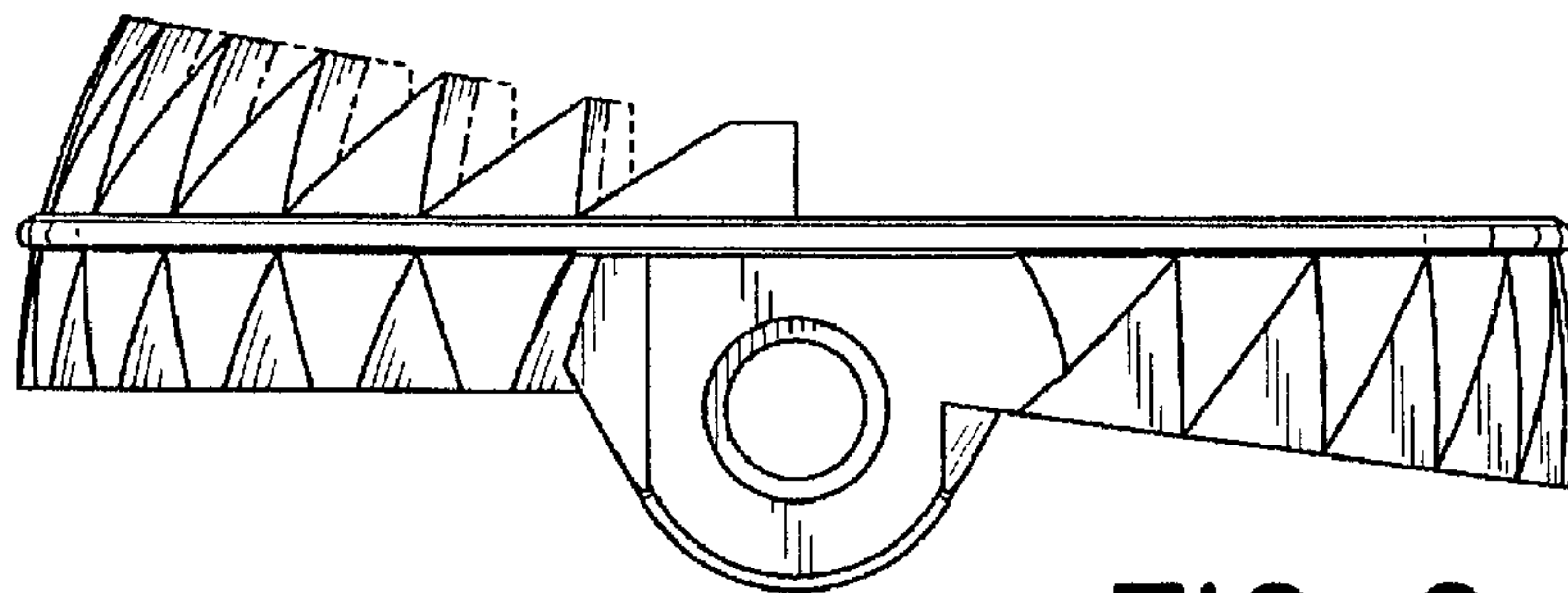


FIG. 6

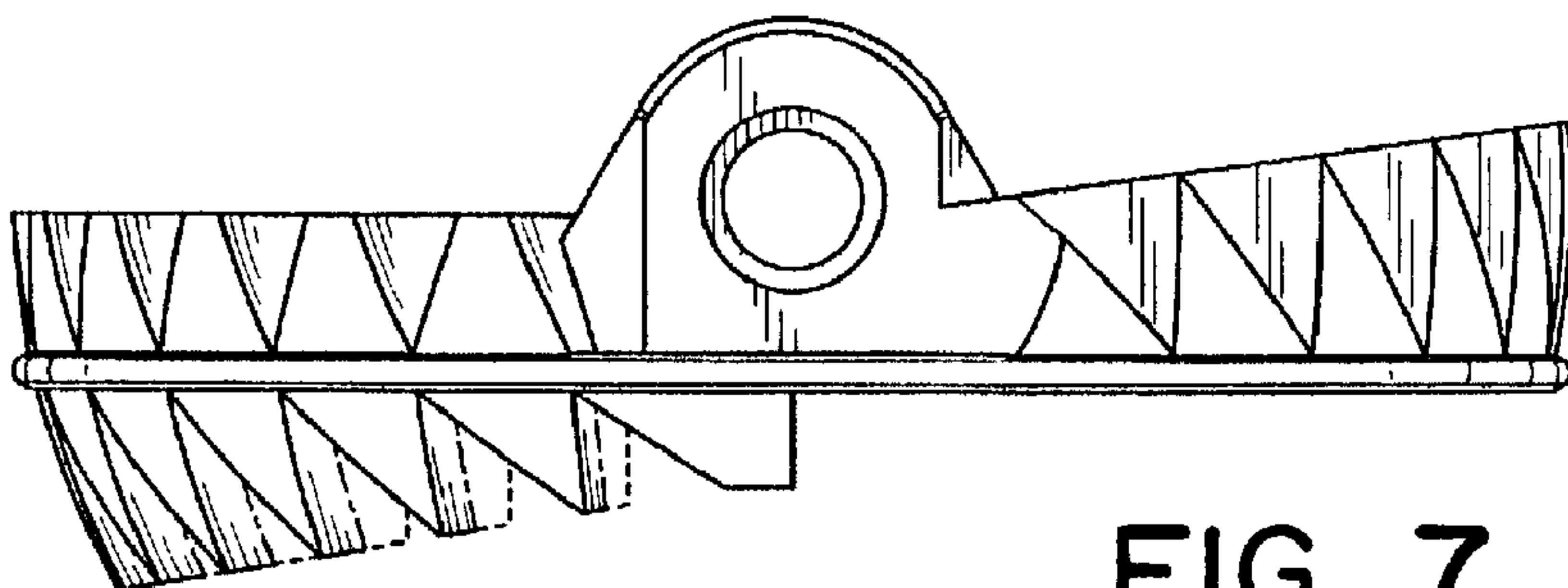


FIG. 7

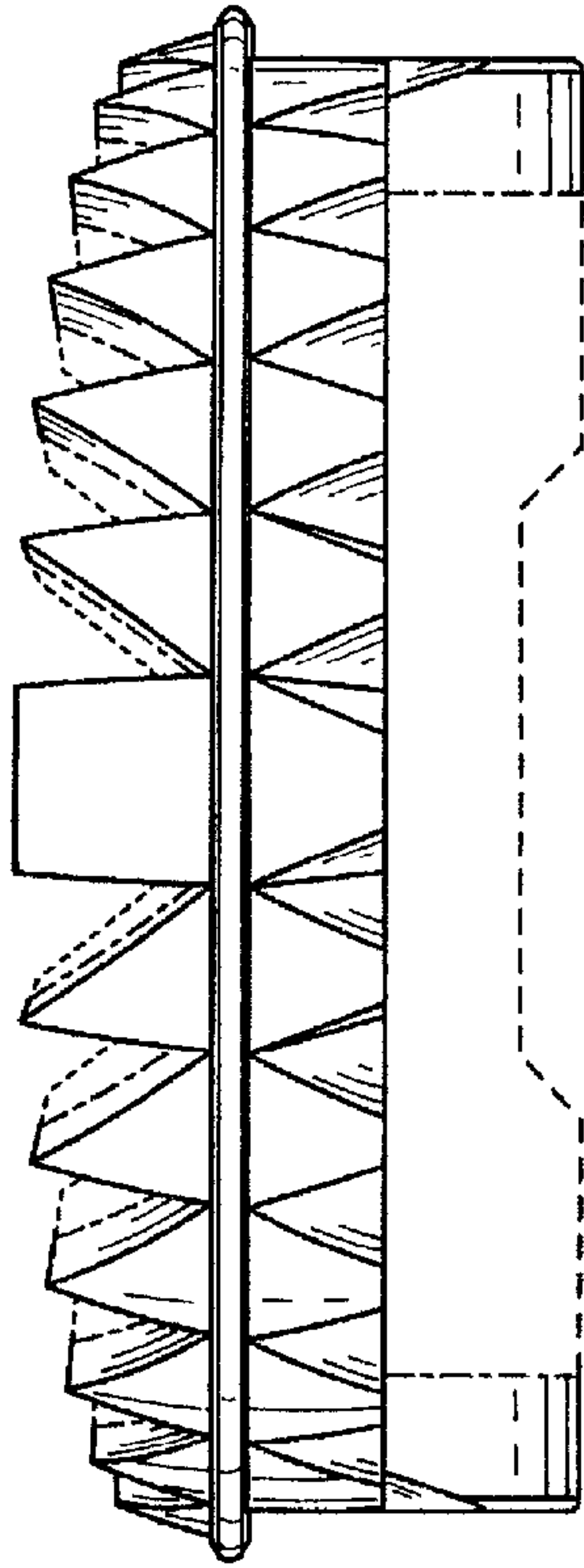


FIG. 8

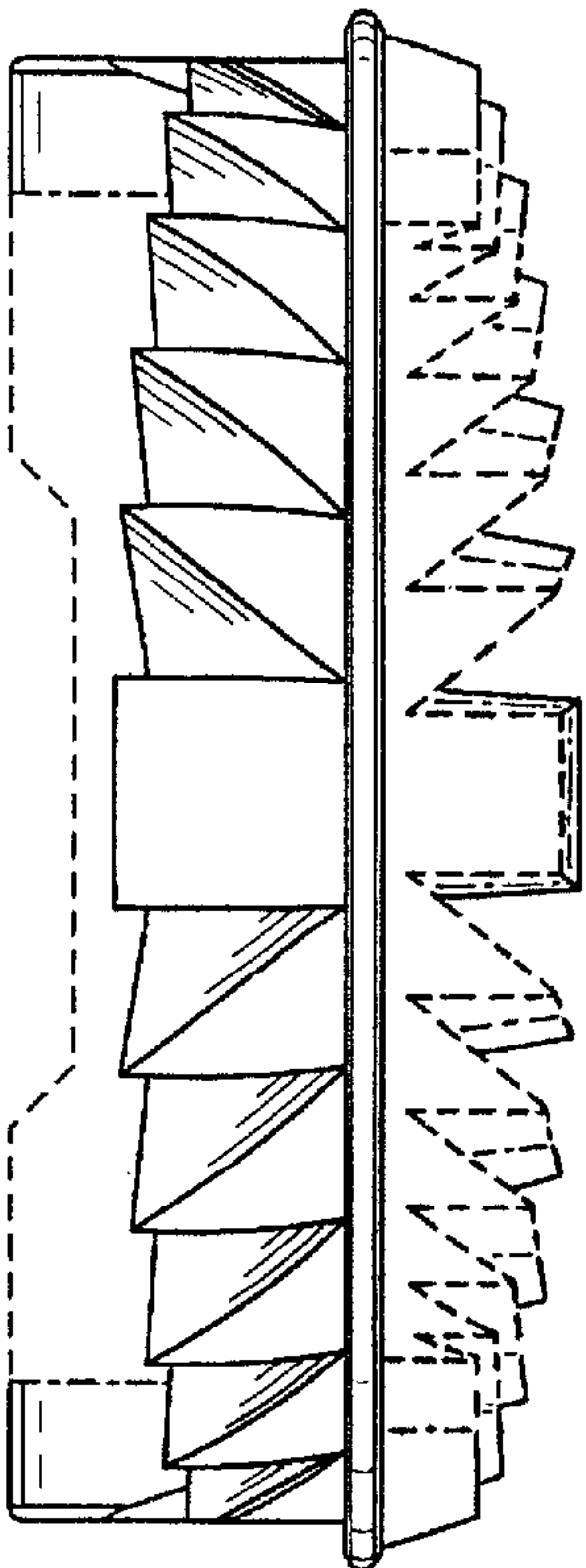


FIG. 9

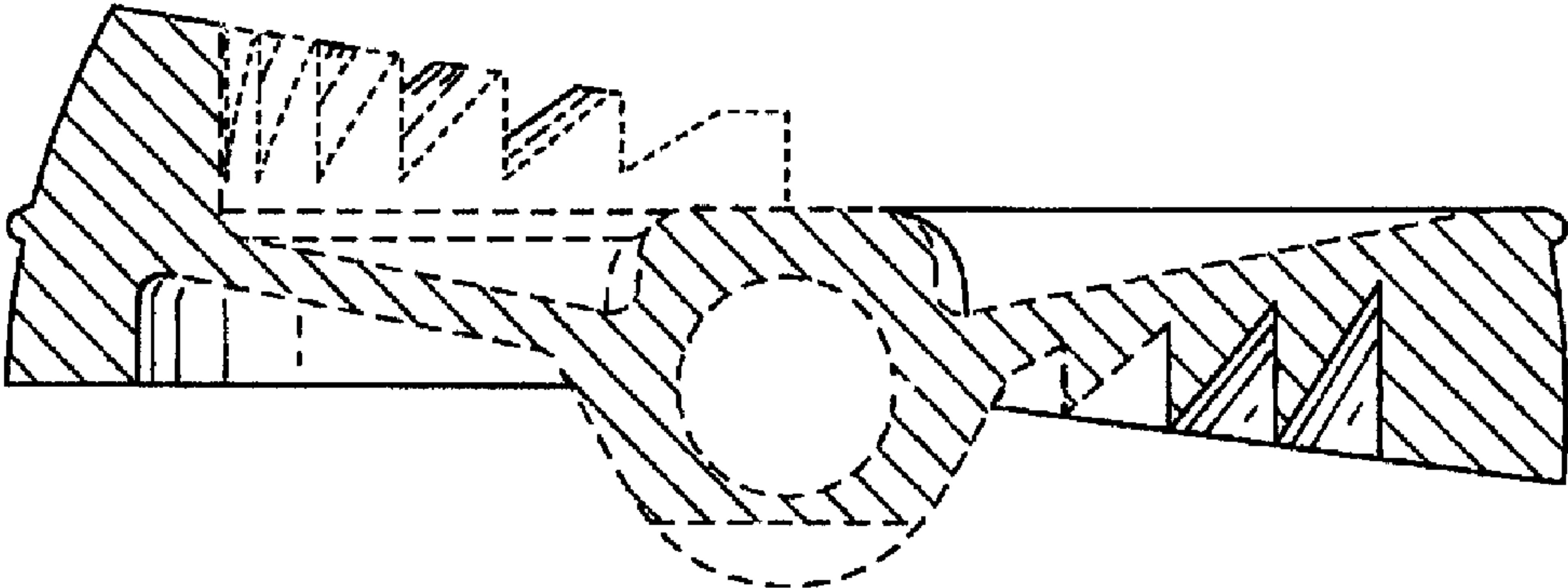


FIG. 10

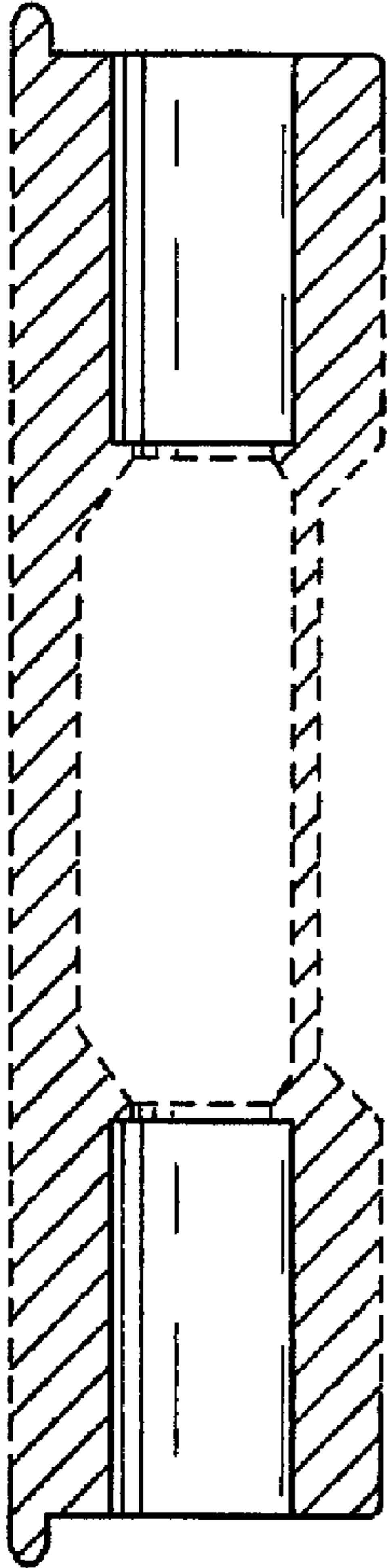


FIG. 11