



US00D645104S

(12) **United States Design Patent**
Nicolette et al.

(10) **Patent No.:** **US D645,104 S**
(45) **Date of Patent:** **** Sep. 13, 2011**

(54) **GOLF CLUB HEAD**
(75) Inventors: **Michael R. Nicolette**, Scottsdale, AZ
(US); **Bradley D. Schweigert**, Anthem,
AZ (US); **Xiaojian Chen**, Phoenix, AZ
(US)
(73) Assignee: **Karsten Manufacturing Corporation**,
Phoenix, AZ (US)

D509,273 S * 9/2005 Morris et al. D21/742
6,960,140 B2 11/2005 Solheim
6,966,845 B2 11/2005 Solheim
D520,584 S * 5/2006 Karlsen D21/743
D521,582 S 5/2006 Souza
7,052,411 B2 5/2006 Solheim
D522,598 S 6/2006 Solheim
7,077,758 B2 7/2006 Rohrer
7,086,957 B2 8/2006 Solheim
D527,777 S 9/2006 Solheim
D529,108 S 9/2006 Stites

(**) Term: **14 Years**

(Continued)

(21) Appl. No.: **29/392,997**

OTHER PUBLICATIONS

(22) Filed: **May 27, 2011**

Stina Sternberg and Ashley Mayo, "2008 Spring Equipment Pre-
view," Golf for Women, May-Jun. 2008 at 114.

Related U.S. Application Data

(Continued)

(63) Continuation of application No. 29/378,880, filed on
Nov. 10, 2010, now Pat. No. Des. 638,891.

Primary Examiner — Mitchell Siegel

(51) **LOC (9) Cl.** **21-02**

(57) **CLAIM**

(52) **U.S. Cl.** **D21/759**

The ornamental design for a golf club head, as shown and
described.

(58) **Field of Classification Search** D21/736–746,
D21/759; 473/324–331, 343–346, 251–256
See application file for complete search history.

DESCRIPTION

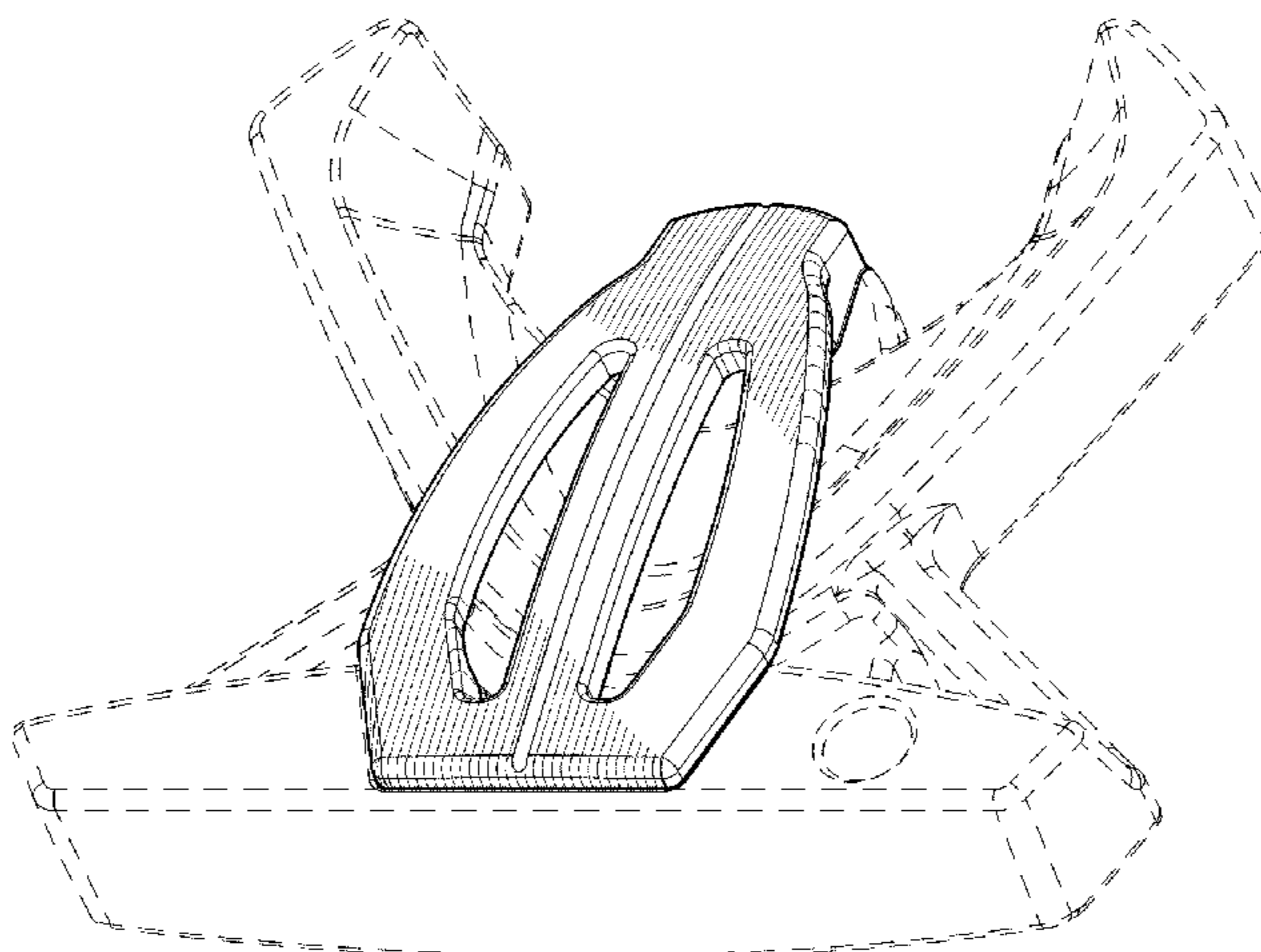
(56) **References Cited**

FIG. 1 is a top perspective view of a golf club head;
FIG. 2 is a bottom perspective view of the golf club head of
FIG. 1;
FIG. 3 is a front elevational view of the golf club head of FIG.
1;
FIG. 4 is a rear elevational view of the golf club head of FIG.
1;
FIG. 5 is a top view of the golf club head of FIG. 1;
FIG. 6 is a bottom view of the golf club head of FIG. 1;
FIG. 7 is a left side view of the golf club head of FIG. 1; and,
FIG. 8 is a right side view of the golf club head of FIG. 1.
The broken lines shown in one or more of the figures are for
illustrative purposes only and form no part of the claimed
design.

U.S. PATENT DOCUMENTS

3,884,477 A 5/1975 Bianco
D235,668 S * 7/1975 Swash D21/739
4,030,766 A 6/1977 Derr
D316,129 S 4/1991 Bryson
6,159,108 A 12/2000 De La Pena
6,379,259 B1 4/2002 Opie
D488,526 S 4/2004 Souza
D500,109 S 12/2004 Solheim
D500,110 S 12/2004 Solheim
6,837,801 B1 1/2005 Souza
6,878,071 B1 4/2005 Schwieger
6,893,355 B2 5/2005 Souza
6,902,496 B2 6/2005 Solheim
D507,612 S 7/2005 Souza
6,926,615 B1 8/2005 Souza

1 Claim, 5 Drawing Sheets



US D645,104 S

Page 2

U.S. PATENT DOCUMENTS

D529,109 S *	9/2006	Jones	D21/743	7,677,987 B2 *	3/2010	Hilton	473/242
D533,243 S	12/2006	Fife, Jr.			D621,458 S	8/2010	Serrano		
7,235,021 B2	6/2007	Solheim			D621,460 S *	8/2010	Serrano et al.	D21/742
D548,295 S	8/2007	Jertson			D621,461 S	8/2010	Serrano		
D548,296 S *	8/2007	Rollinson	D21/744	D621,462 S	8/2010	Serrano		
7,255,650 B2	8/2007	Bryant			D621,891 S	8/2010	Serrano		
D552,197 S	10/2007	Wells			D623,710 S *	9/2010	Hilton et al.	D21/743
D557,361 S *	12/2007	Rollinson	D21/743	7,803,066 B2	9/2010	Solheim		
D565,137 S *	3/2008	Oldknow et al.	D21/736	D625,764 S *	10/2010	Hilton et al.	D21/743
D569,462 S *	5/2008	Rollinson	D21/744	D627,840 S *	11/2010	Cameron	D21/736
D575,366 S *	8/2008	Rollinson	D21/744	D632,748 S	2/2011	Serrano		
7,407,443 B2 *	8/2008	Franklin et al.	473/251	D633,968 S *	3/2011	Tryner et al.	D21/759
D581,473 S	11/2008	Thomas			D638,891 S *	5/2011	Nicolette et al.	D21/736
D583,003 S	12/2008	Solheim			D640,341 S *	6/2011	Foster et al.	D21/742
D587,325 S	2/2009	Solheim			2005/0170904 A1	8/2005	Smeeth		
D587,771 S *	3/2009	Kuan et al.	D21/759	2006/0094533 A1	5/2006	Warren		
D594,073 S *	6/2009	Kadoya	D21/744	2006/0166755 A1	7/2006	Brown		
D595,370 S *	6/2009	Ines et al.	D21/736	2007/0191135 A1	8/2007	Nilsson		
D595,793 S *	7/2009	Rollinson	D21/736	2009/0270196 A1	10/2009	Solheim		
D599,870 S *	9/2009	Serrano et al.	D21/736	2009/0305807 A1	12/2009	Solheim		
D600,295 S *	9/2009	Meeks	D21/744	2010/0227704 A1	9/2010	Souza		
D600,760 S	9/2009	Serrano							
D600,761 S	9/2009	Solheim							
D600,762 S *	9/2009	Serrano et al.	D21/743					
D606,139 S *	12/2009	Ines et al.	D21/736					
D607,950 S	1/2010	Souza							
D607,952 S *	1/2010	Demkowski et al.	D21/743					

OTHER PUBLICATIONS

Stina Sternberg, "Hot List 2008-Putters," Golf Digest Feb. 2008 at 158-169 also available at: <http://www.golfdigest.com/equipment/ratings>.

* cited by examiner

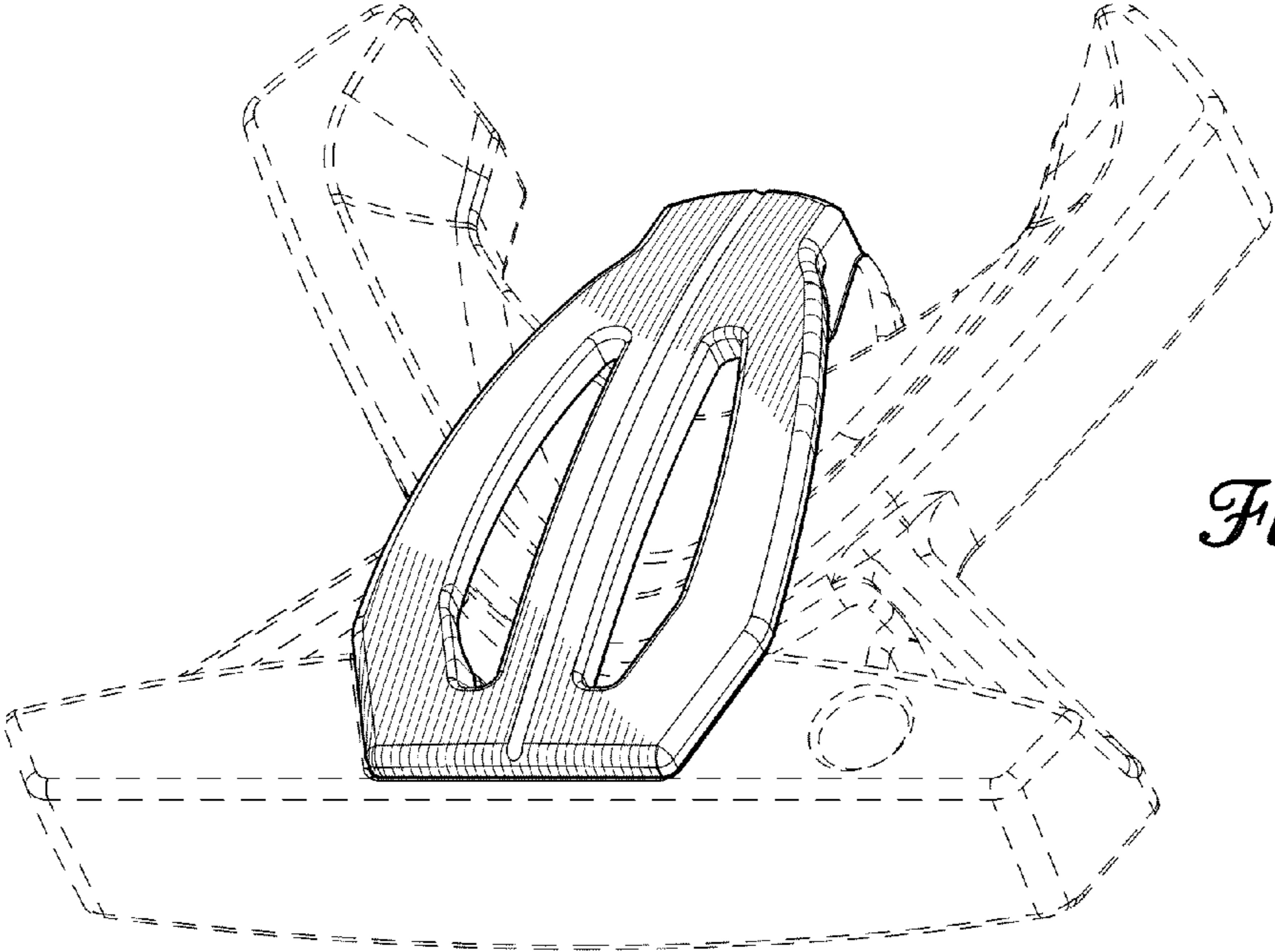


Fig. 1

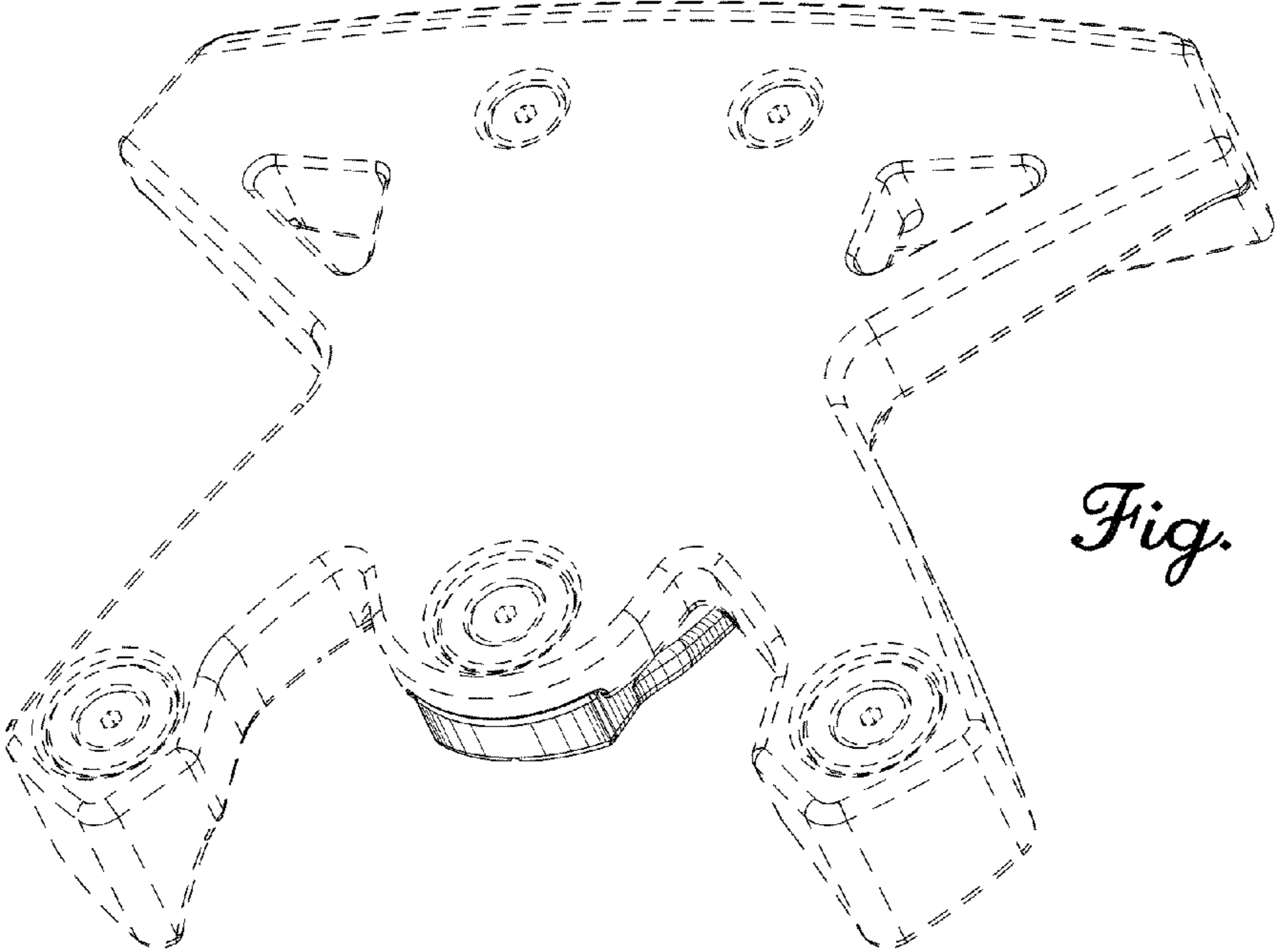


Fig. 2

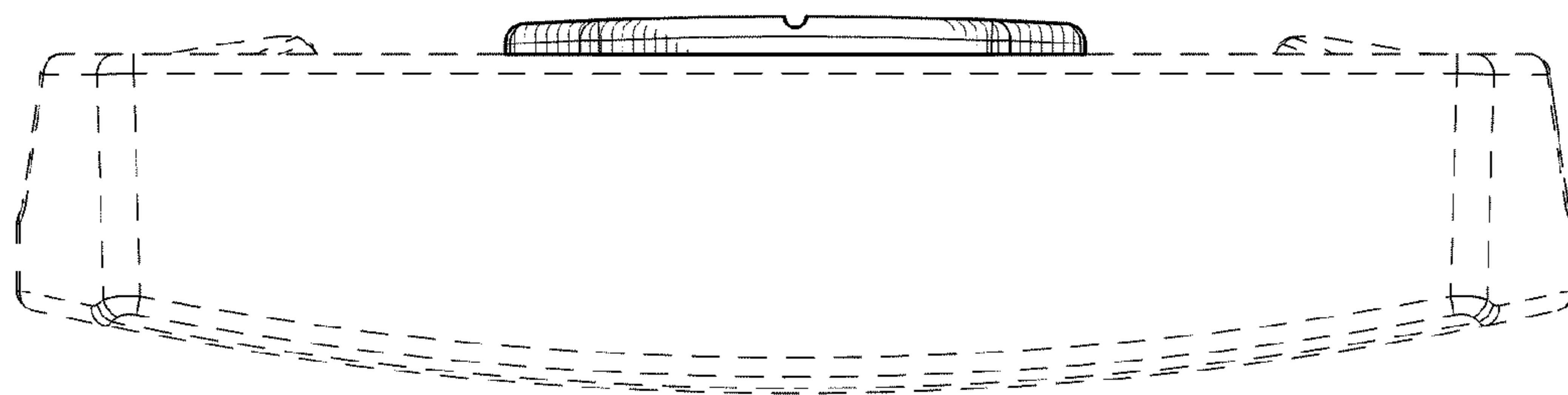


Fig. 3

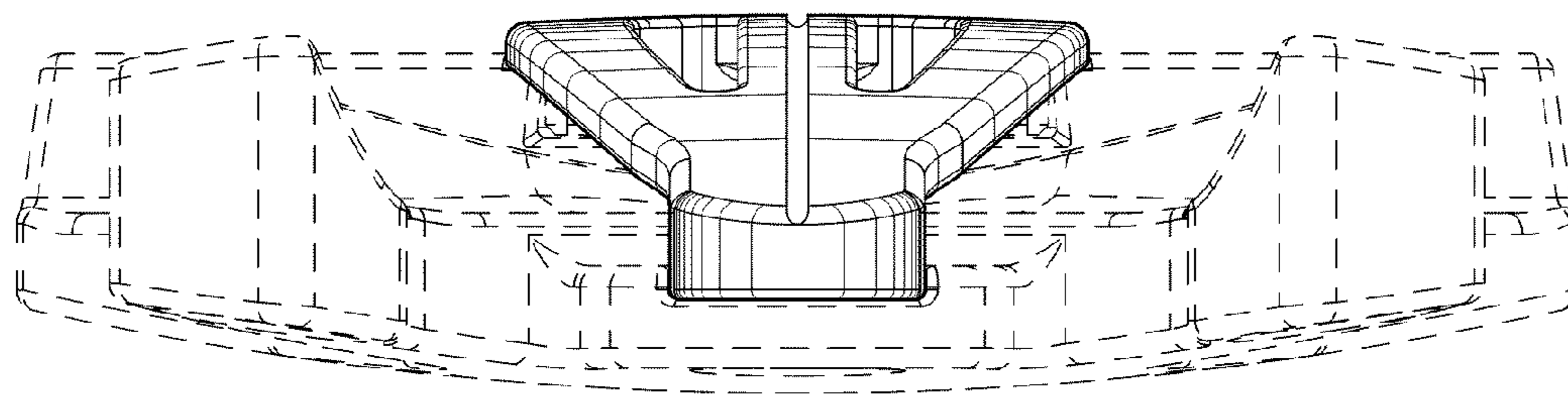


Fig. 4

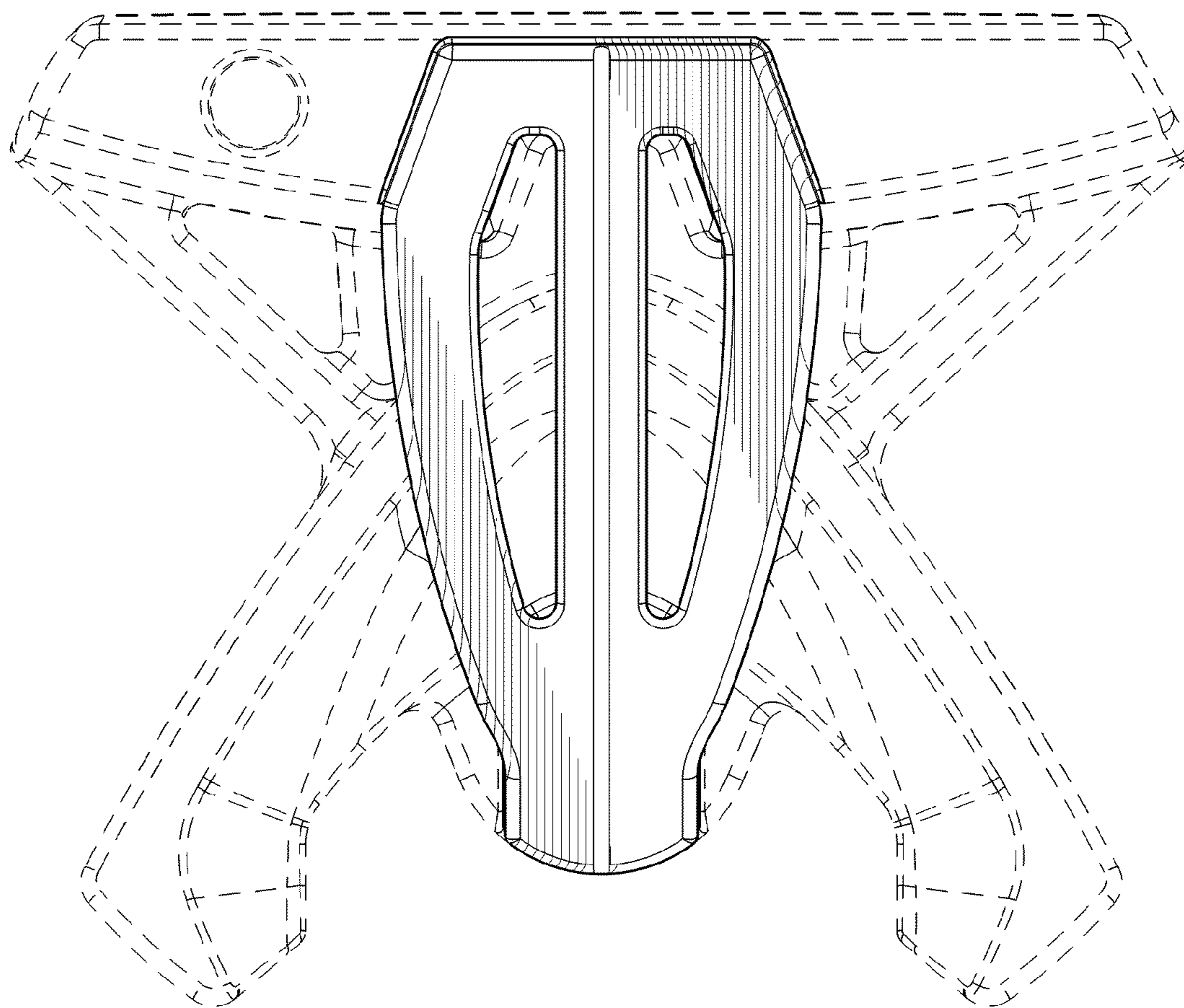


Fig. 5

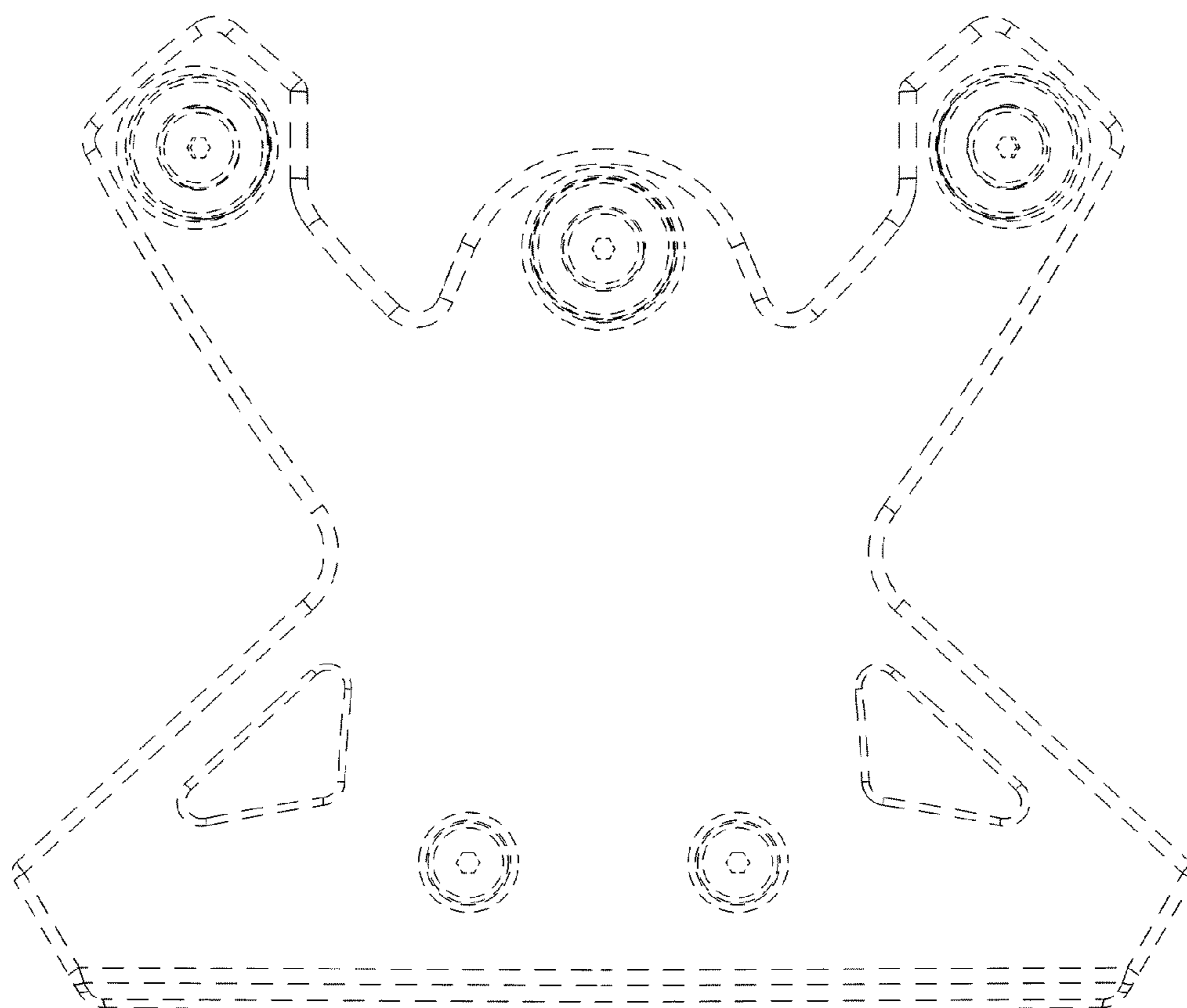


Fig. 6

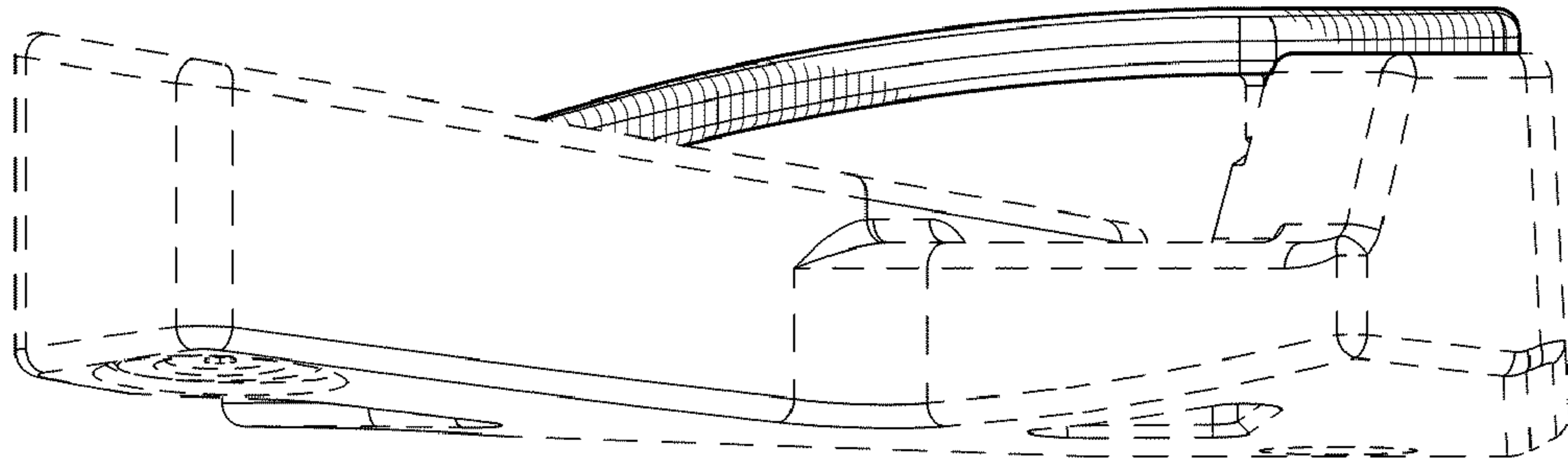


Fig. 7

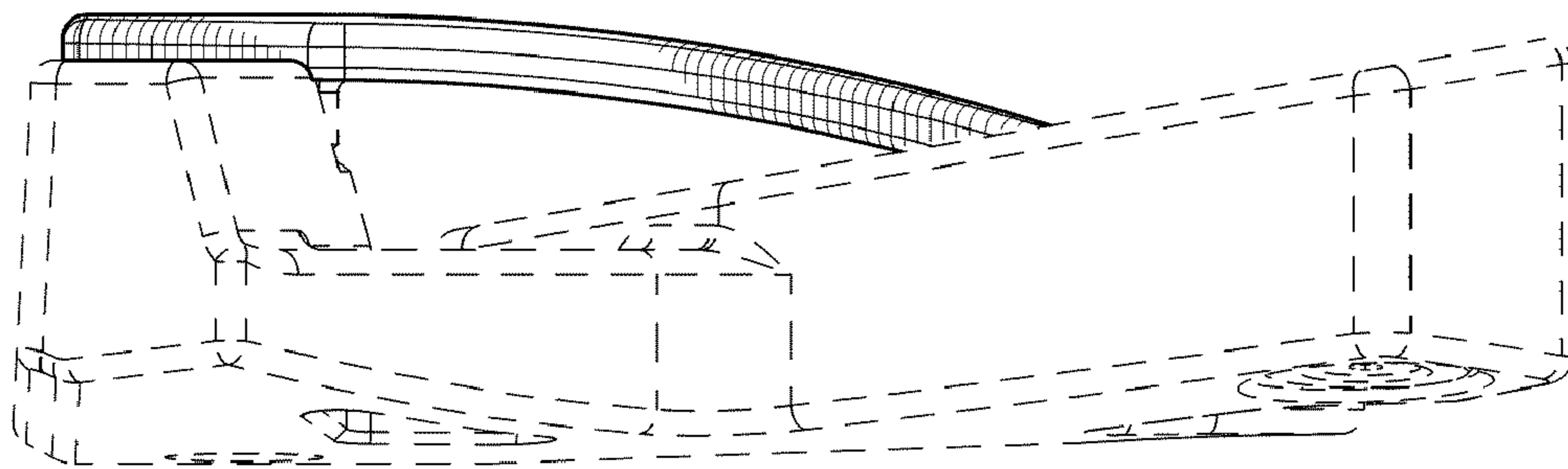


Fig. 8