



US00D645103S

(12) **United States Design Patent**  
**Llewellyn et al.**

(10) **Patent No.:** **US D645,103 S**

(45) **Date of Patent:** **\*\* \*Sep. 13, 2011**

(54) **IRON-TYPE GOLF CLUB**

(75) Inventors: **David Llewellyn**, Duluth, GA (US);  
**Kazuhiro Doi**, Gifu (JP); **Tsugunobu Sakamoto**, Osaka (JP)

(73) Assignee: **Mizuno USA**, Norcross, GA (US)

(\*) Notice: This patent is subject to a terminal disclaimer.

(\*\*) Term: **14 Years**

(21) Appl. No.: **29/356,713**

(22) Filed: **Mar. 2, 2010**

(51) **LOC (9) Cl.** ..... **21-02**

(52) **U.S. Cl.** ..... **D21/759**

(58) **Field of Classification Search** ..... D21/747-751,  
D21/759; 473/324-331, 350

See application file for complete search history.

(56) **References Cited**

**U.S. PATENT DOCUMENTS**

D353,644 S *	12/1994	Hirsch et al.	.....	D21/748
D401,637 S *	11/1998	Best et al.	.....	D21/747
D465,253 S *	11/2002	Best	.....	D21/759
D469,140 S *	1/2003	Best	.....	D21/759
D475,107 S *	5/2003	Madore	.....	D21/759
D475,108 S *	5/2003	Madore	.....	D21/759
D487,127 S *	2/2004	Madore	.....	D21/759
D499,155 S *	11/2004	Imamoto	.....	D21/747
D512,756 S *	12/2005	Kawami	.....	D21/747
D516,649 S *	3/2006	Imamoto	.....	D21/747
D517,629 S *	3/2006	Madore et al.	.....	D21/759

**OTHER PUBLICATIONS**

Notice of Reasons for Rejection issued by the Japanese Patent Office for or related Application No. 2010-019061 dated May 23, 2011. "New Impress"; Yamaha Corporation Catalog; pp. 1-3; Feb. 2004.

\* cited by examiner

*Primary Examiner* — Mitchell I Siegel

(74) *Attorney, Agent, or Firm* — Troutman Sanders LLP; James E. Schutz; Robert R. Elliott, Jr.

(57) **CLAIM**

The ornamental design for a design for iron-type golf clubs, as shown and described.

**DESCRIPTION**

FIG. 1 illustrates an angled, rear perspective view of a golf club head that shows an apex-like portion within a cavity pad and a convex shaped perimeter weight;

FIG. 2 illustrates a rear perspective view of a golf club head that shows an apex-like portion within a cavity pad and a convex shaped perimeter weight;

FIG. 3 illustrates an angled, rear perspective view of a golf club head that shows a pocket space within a cavity pad nestled behind a convex shaped perimeter weight;

FIG. 4 illustrates an angled, bottom perspective view of a golf club head that shows a cavity pad and a convex shaped perimeter weight;

FIG. 5 illustrates an angled, rear perspective view of a golf club head that shows an apex-like portion within a cavity pad and a pocket space within a cavity pad nestled behind a convex shaped perimeter weight;

FIG. 6 illustrates an angled, side perspective view of a golf club head that shows an apex-like portion within a cavity pad and a pocket space within a cavity pad nestled behind a convex shaped perimeter weight;

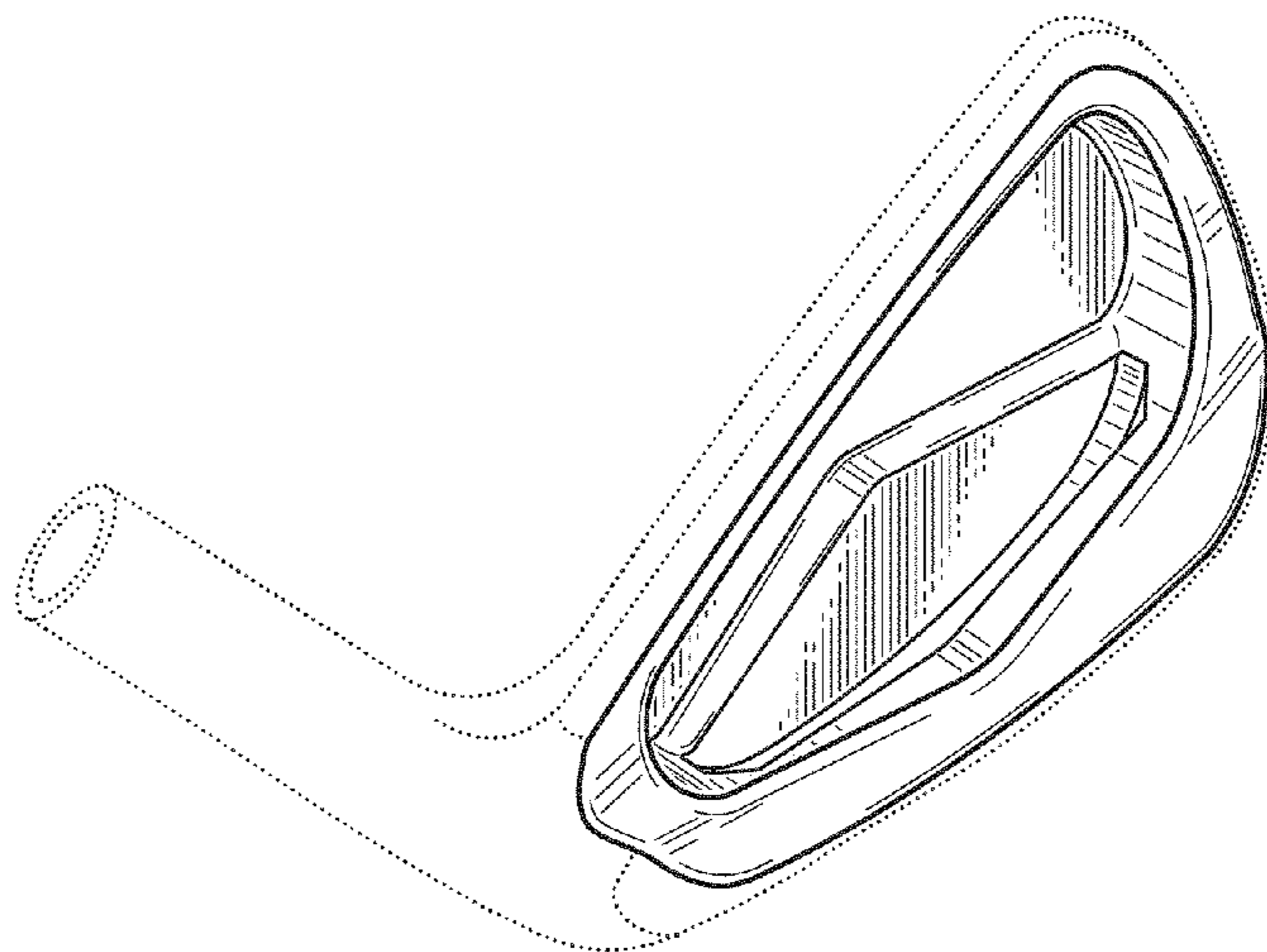
FIG. 7 illustrates a top perspective view of a golf club head that shows a pocket space within a cavity pad nestled behind a convex shaped perimeter weight;

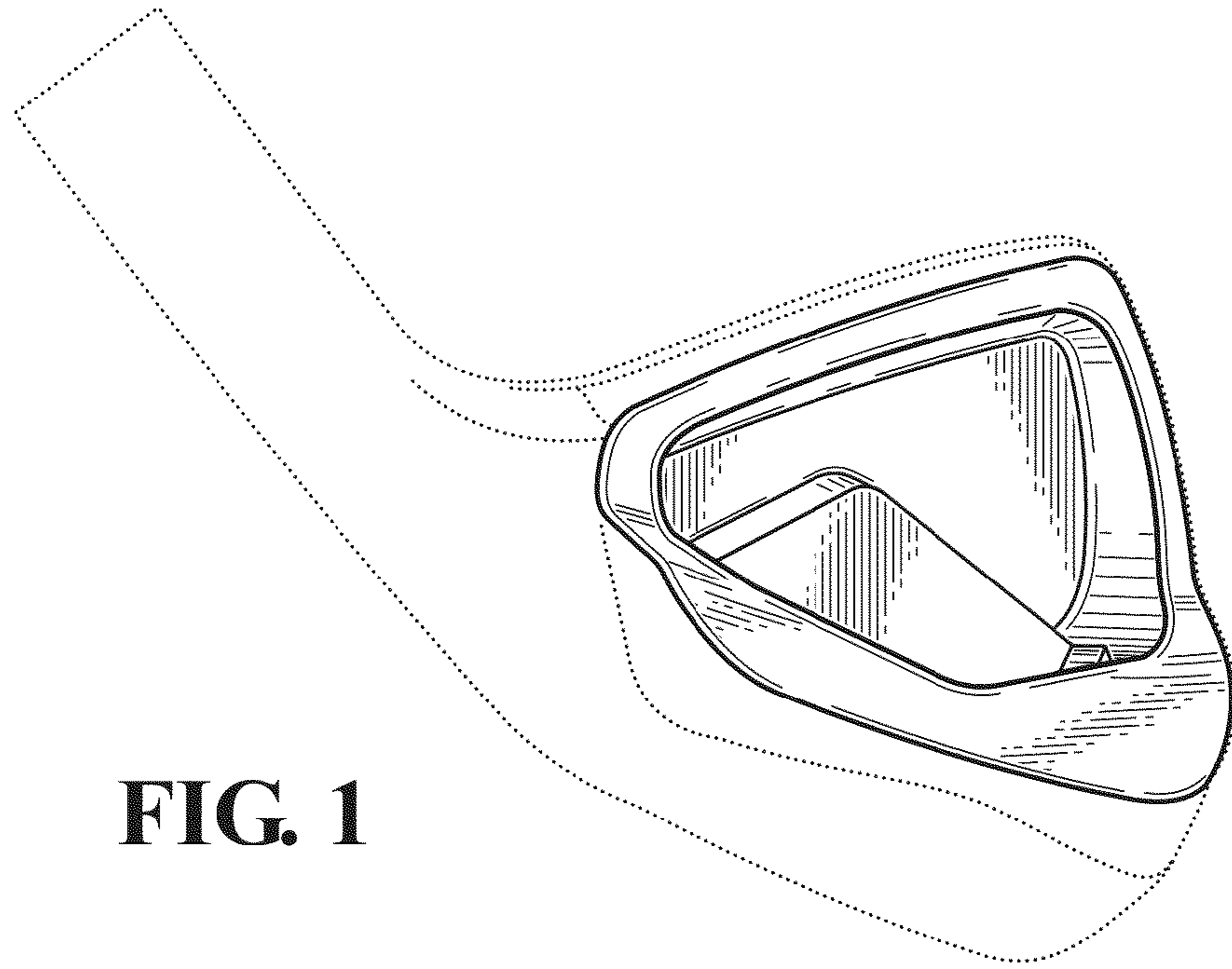
FIG. 8 illustrates a rear perspective view of a golf club head that shows an apex-like portion within a cavity pad and a convex shaped perimeter weight; and,

FIG. 9 illustrates an angled, side perspective view of a golf club head that shows a pocket space within a cavity pad nestled behind a convex shaped perimeter weight.

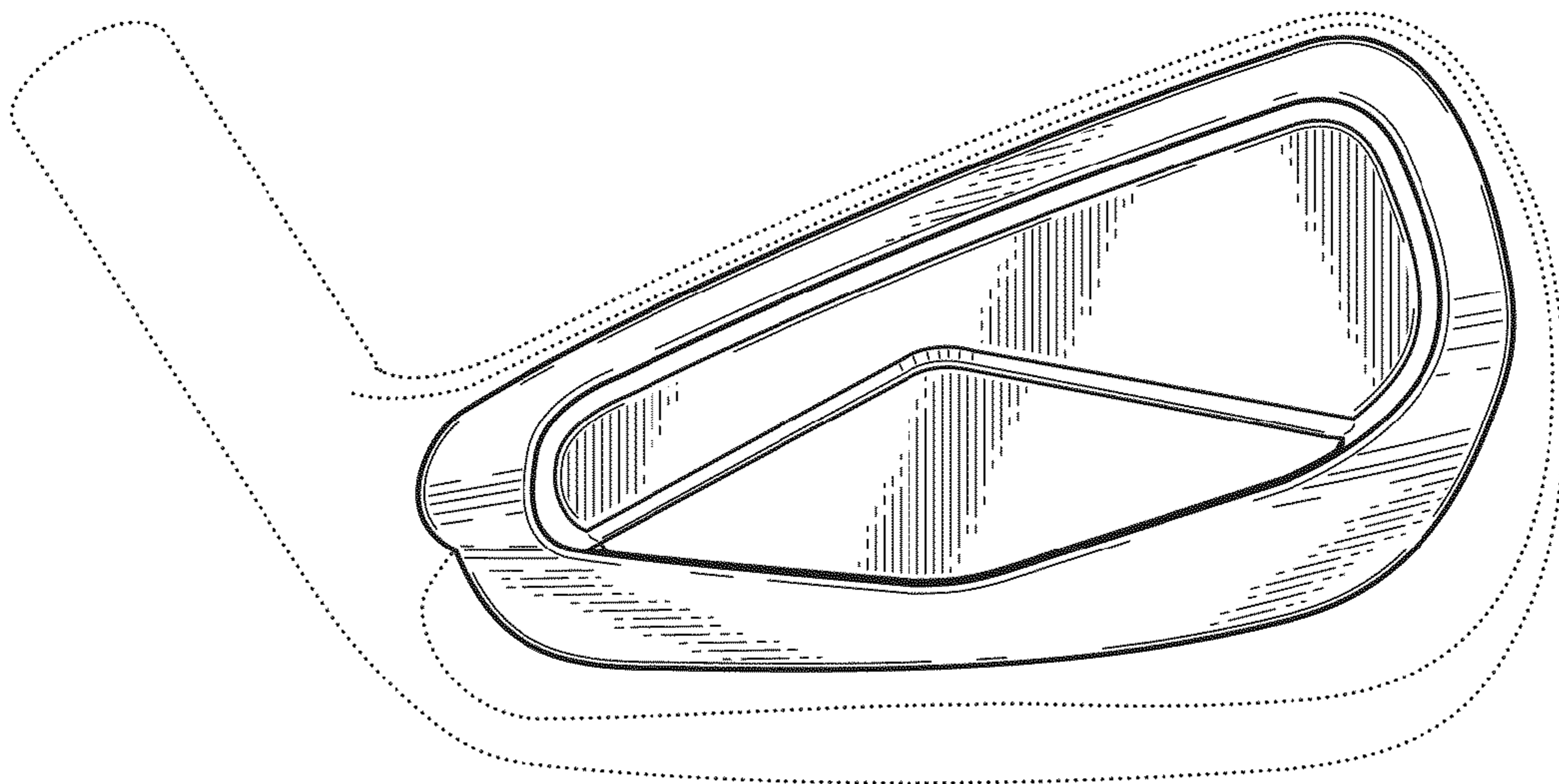
The broken, dashed lines shown in the various figures depicting embodiments of the invention are included for the purpose of illustrating environment and do not form any part of the claimed design.

**1 Claim, 5 Drawing Sheets**

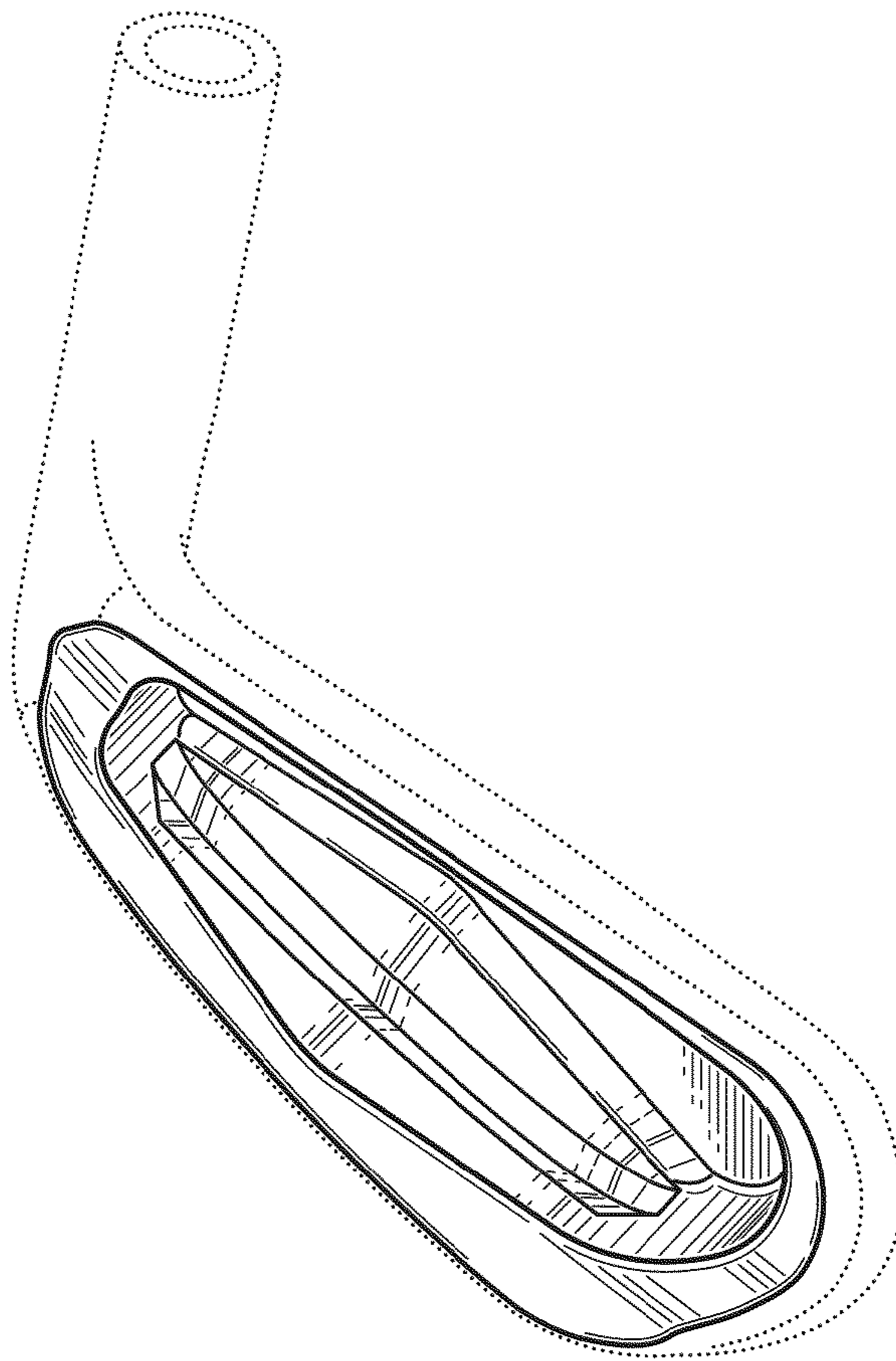




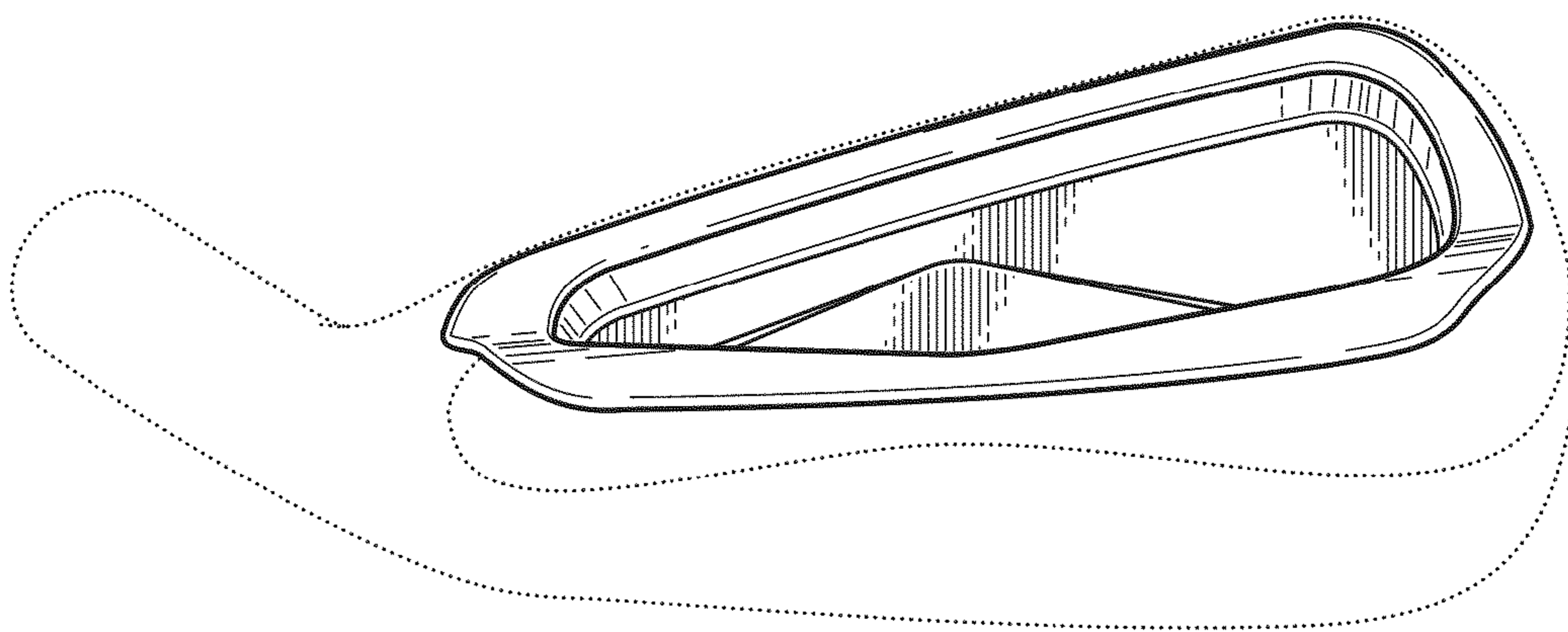
**FIG. 1**



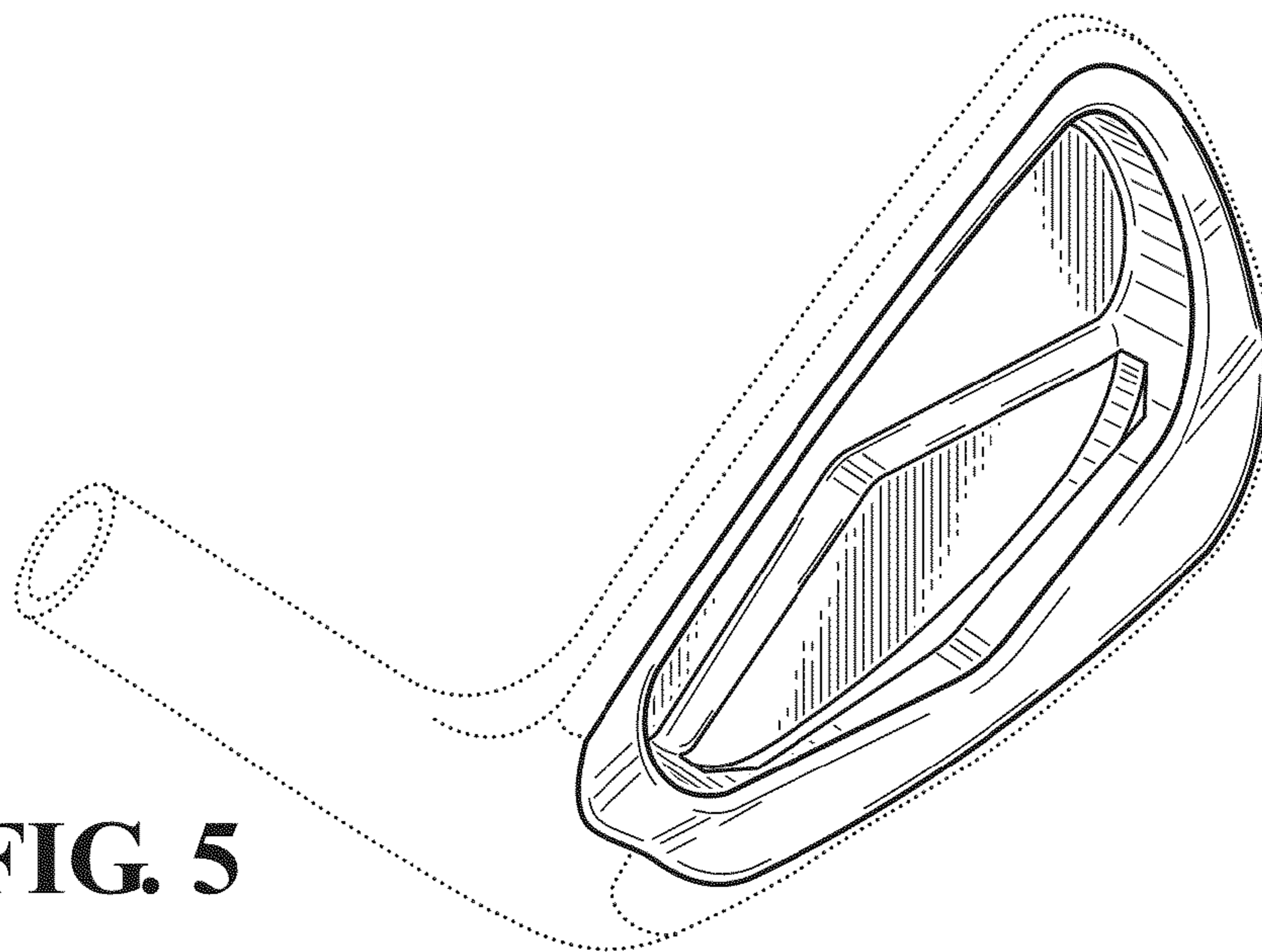
**FIG. 2**



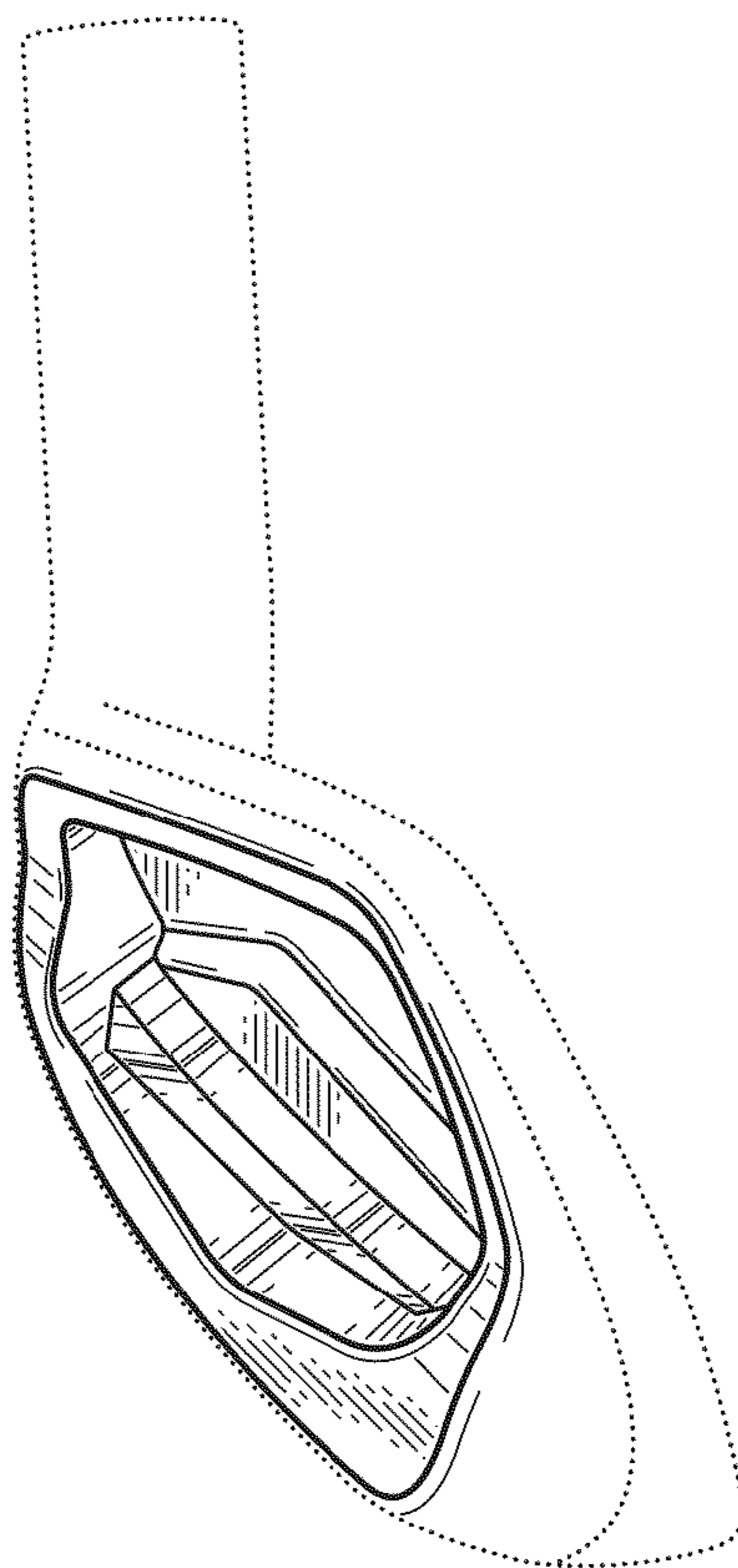
**FIG. 3**



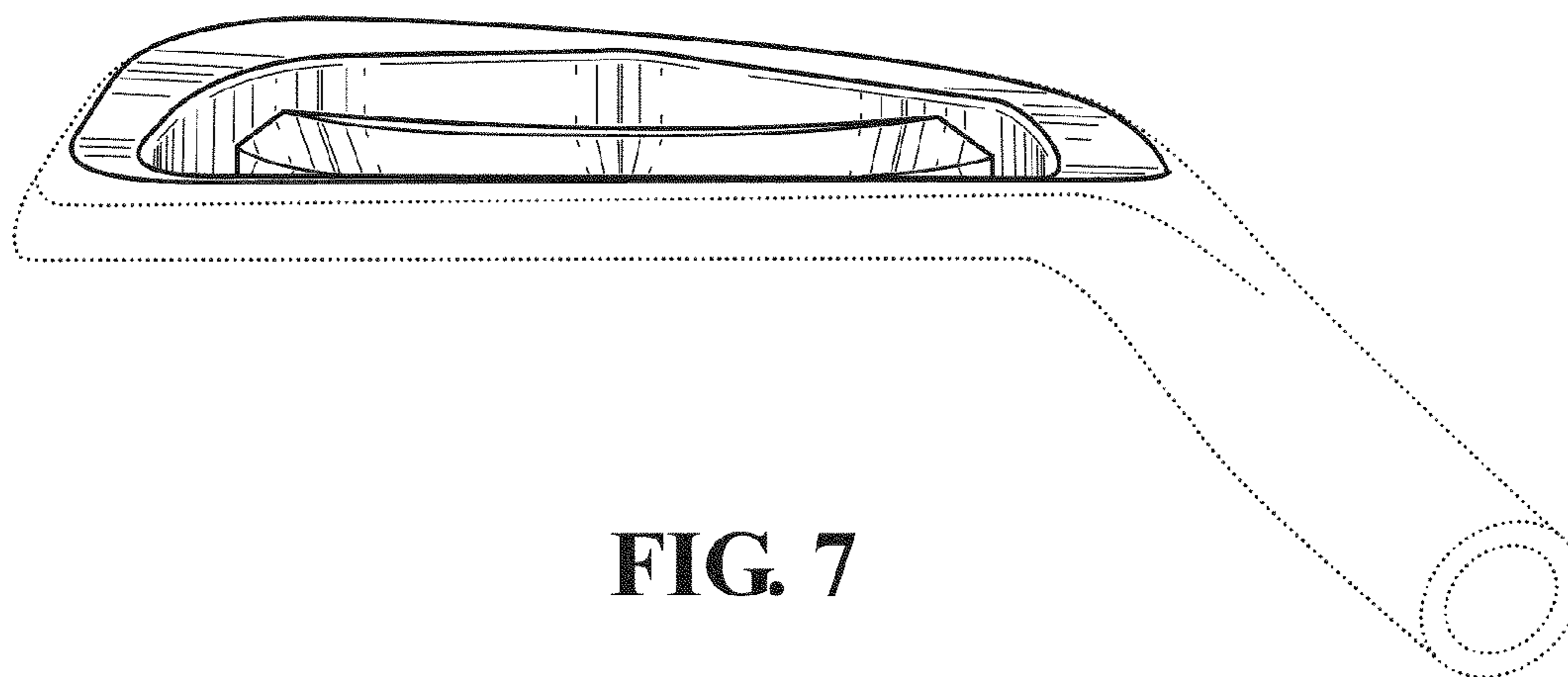
**FIG. 4**



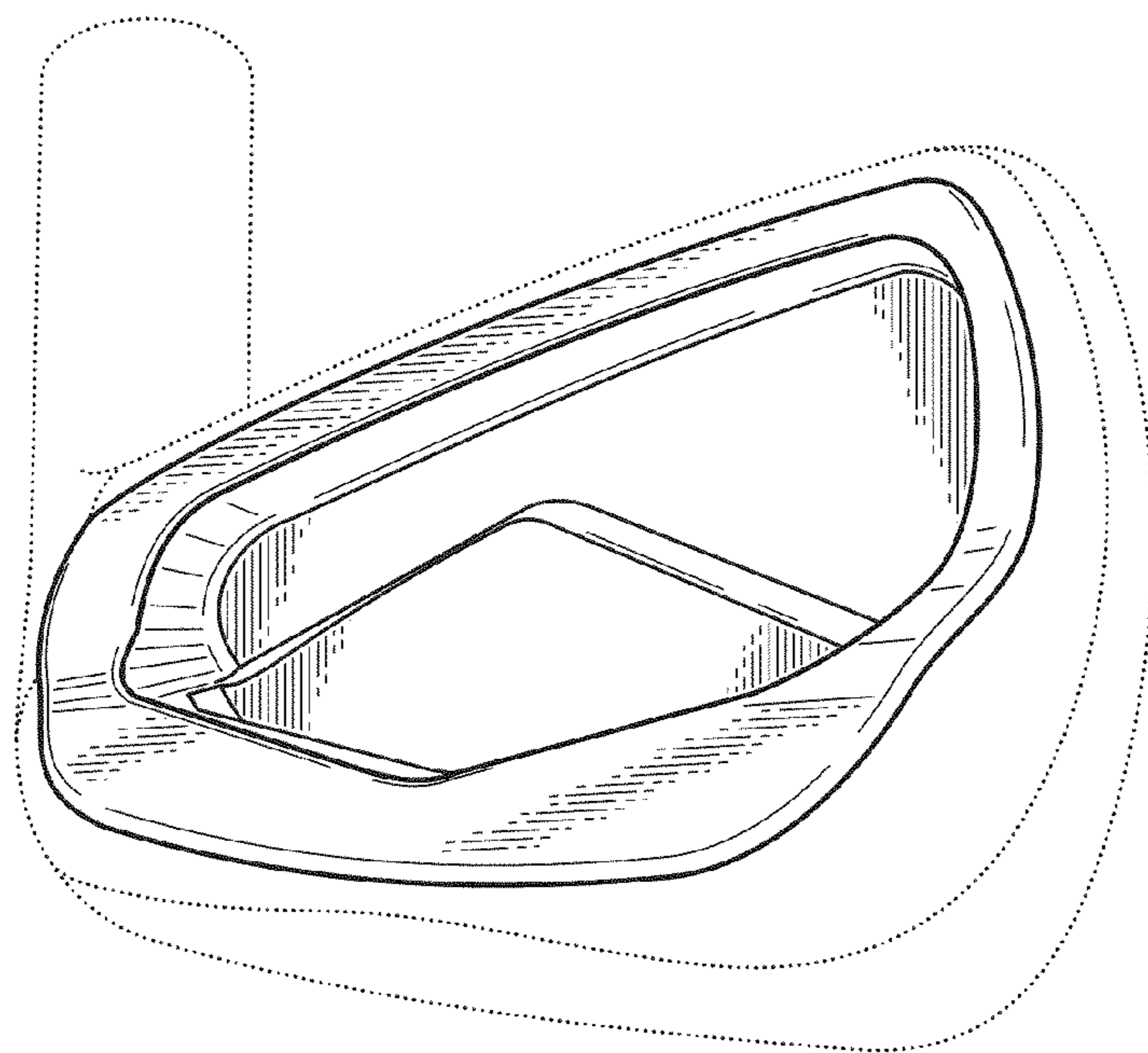
**FIG. 5**



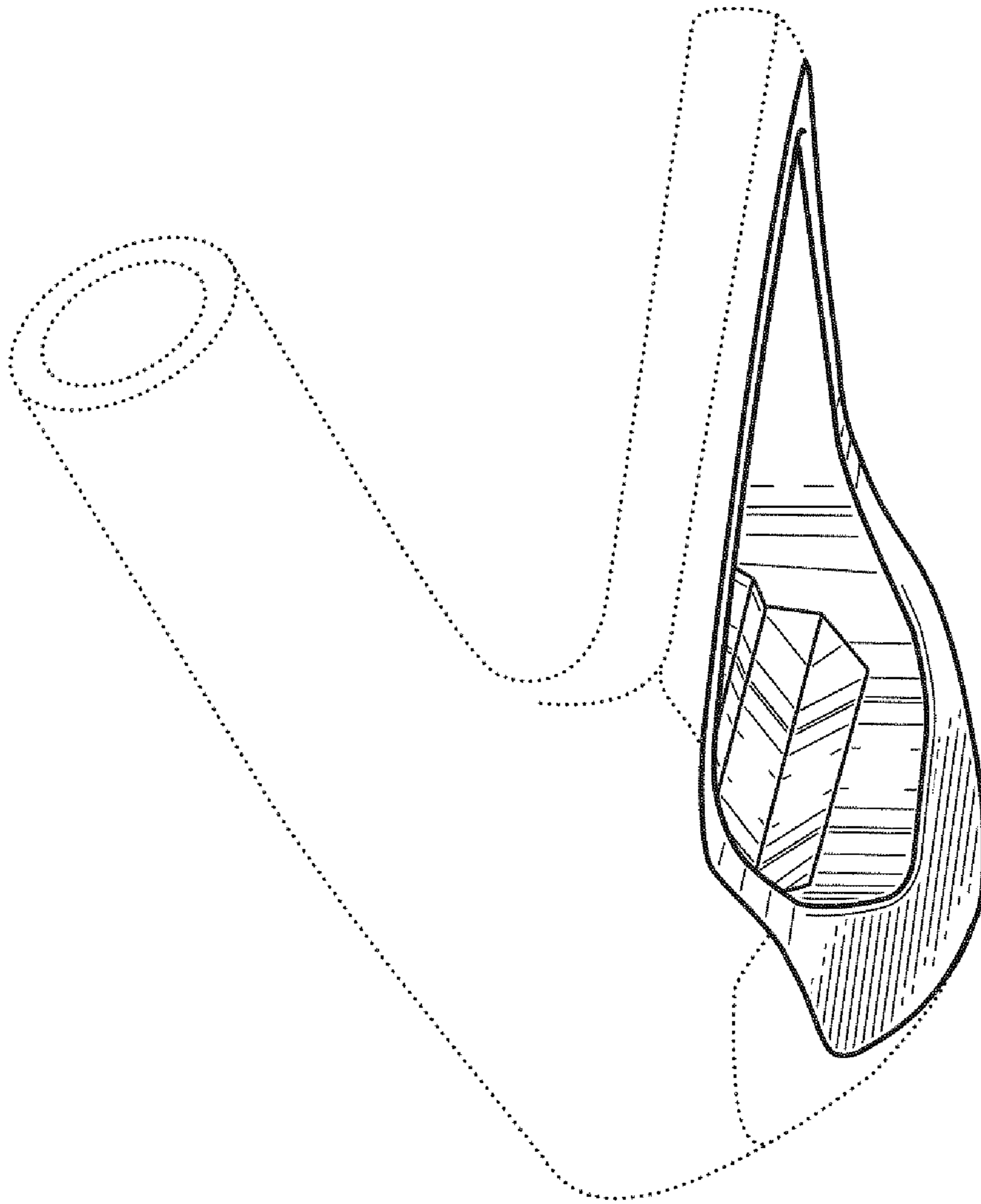
**FIG. 6**



**FIG. 7**



**FIG. 8**



**FIG. 9**