



US00D645100S

(12) **United States Design Patent**  
**Yuen**

(10) **Patent No.:** **US D645,100 S**

(45) **Date of Patent:** **\*\* Sep. 13, 2011**

(54) **TOY BOAT**

(75) Inventor: **Terry Yuen**, Kowloon (HK)

(73) Assignee: **Hobbyengine Model Ltd.**, Hong Kong (HK)

(\*\*) Term: **14 Years**

(21) Appl. No.: **29/336,883**

(22) Filed: **May 11, 2009**

(30) **Foreign Application Priority Data**

Nov. 19, 2008 (HK) ..... 0802763

(51) **LOC (9) Cl.** ..... **21-01**

(52) **U.S. Cl.** ..... **D21/542**

(58) **Field of Classification Search** ..... D21/414,  
D21/447, 448, 451, 542-547; D12/300,  
D12/301, 304, 309, 310, 311, 319, 324; 446/93,  
446/153, 154, 156, 158, 160-165; 114/61.2  
See application file for complete search history.

(56) **References Cited**

**U.S. PATENT DOCUMENTS**

D190,698 S \* 6/1961 Martindale ..... D12/310  
D235,858 S \* 7/1975 Lyford, III ..... D12/311  
D265,669 S \* 8/1982 Fehric ..... D21/451  
D285,679 S \* 9/1986 Kachler ..... D12/309  
D289,392 S \* 4/1987 Gary et al. .... D12/304  
D315,716 S \* 3/1991 Erickson et al. .... D12/309

D329,419 S \* 9/1992 Thomas et al. .... D12/309  
D370,884 S \* 6/1996 Flattery et al. .... D12/300  
D431,055 S \* 9/2000 Tachau et al. .... D21/448  
6,311,635 B1 \* 11/2001 Vaton ..... 114/61.2  
D464,925 S \* 10/2002 Bassani Antivari ..... D12/300  
D474,730 S \* 5/2003 Flaherty ..... D12/300  
D504,921 S \* 5/2005 Wei ..... D21/542  
D542,708 S \* 5/2007 Lawrence et al. .... D21/447

\* cited by examiner

*Primary Examiner* — Cynthia M Chin

(74) *Attorney, Agent, or Firm* — Baker & McKenzie LLP

(57) **CLAIM**

The ornamental design for a toy boat, as shown and described.

**DESCRIPTION**

FIG. 1 is a front view of the toy boat in accordance with my design;

FIG. 2 is a bottom view of the toy boat shown in FIG. 1;

FIG. 3 is a left side view of the toy boat shown in FIGS. 1-2;

FIG. 4 is a right side view of the toy boat shown in FIGS. 1-3;

FIG. 5 is a top view of the toy boat shown in FIGS. 1-4;

FIG. 6 is a rear perspective view of the toy boat shown in FIGS. 1-5;

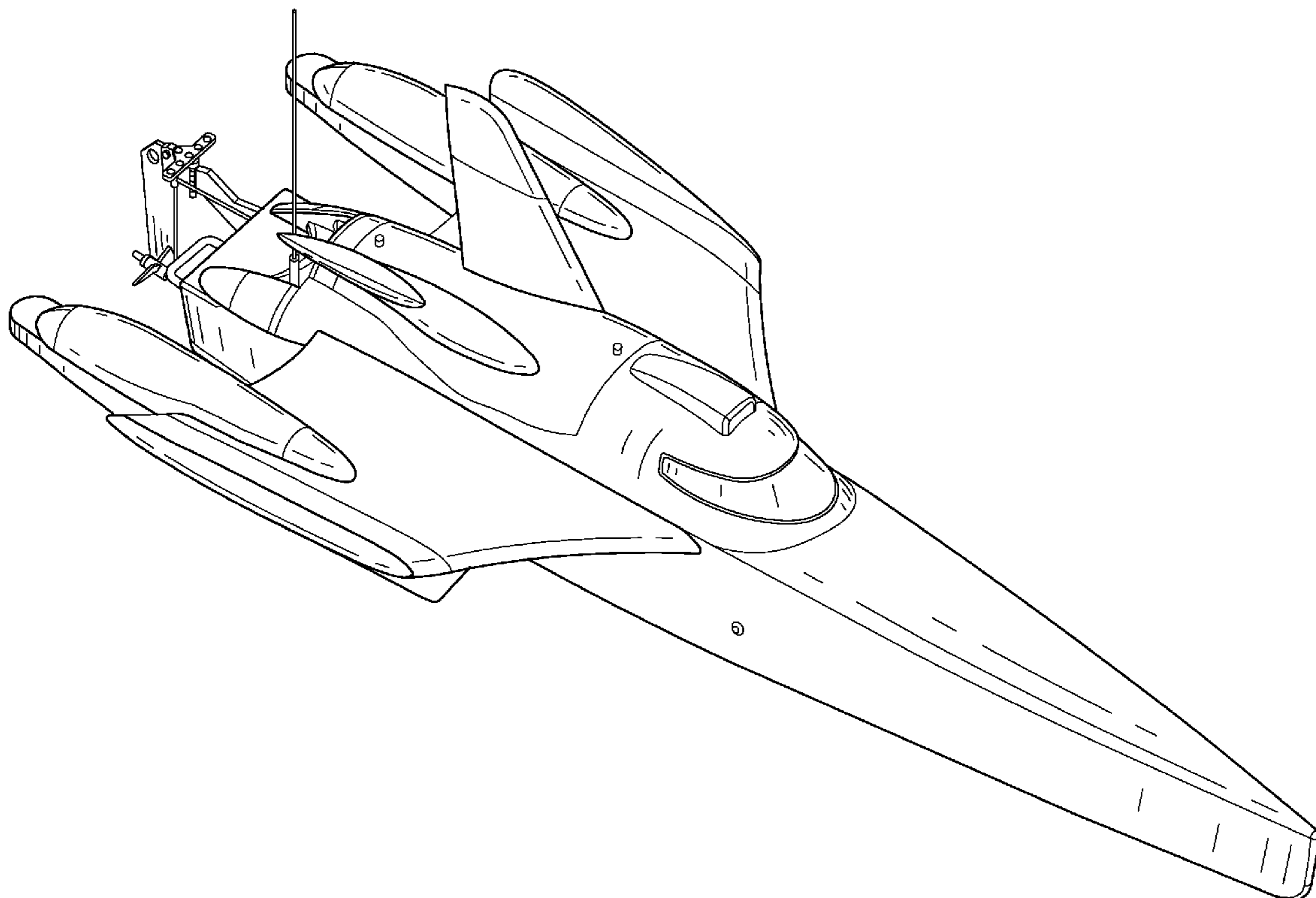
FIG. 7 is a rear view of the toy boat shown in FIGS. 1-6;

FIG. 8 is a bottom perspective view of the toy boat shown in FIGS. 1-7;

FIG. 9 is a front perspective view of the toy boat shown in FIGS. 1-8; and,

FIG. 10 is a second front perspective view of the toy boat shown in FIGS. 1-9.

**1 Claim, 10 Drawing Sheets**



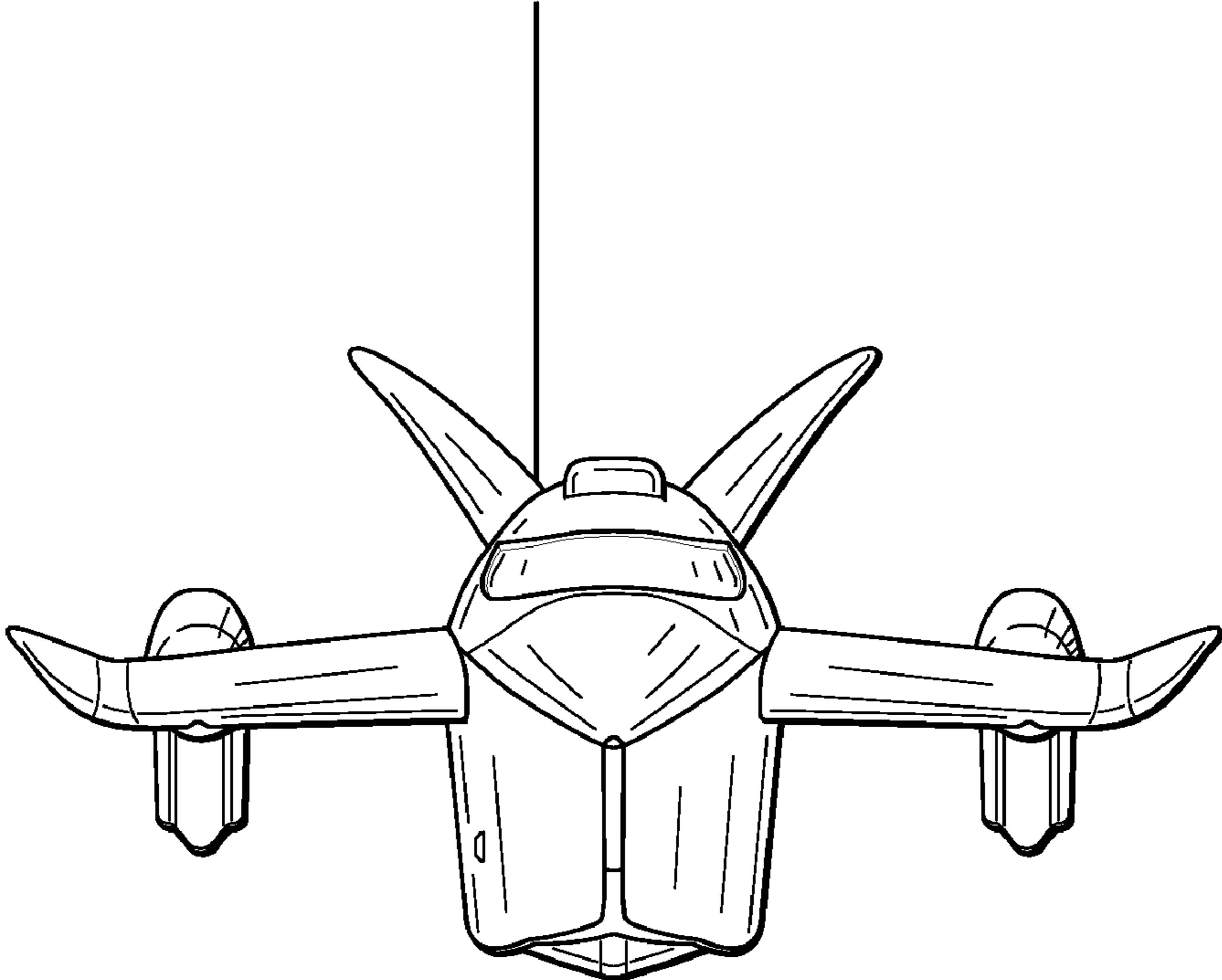
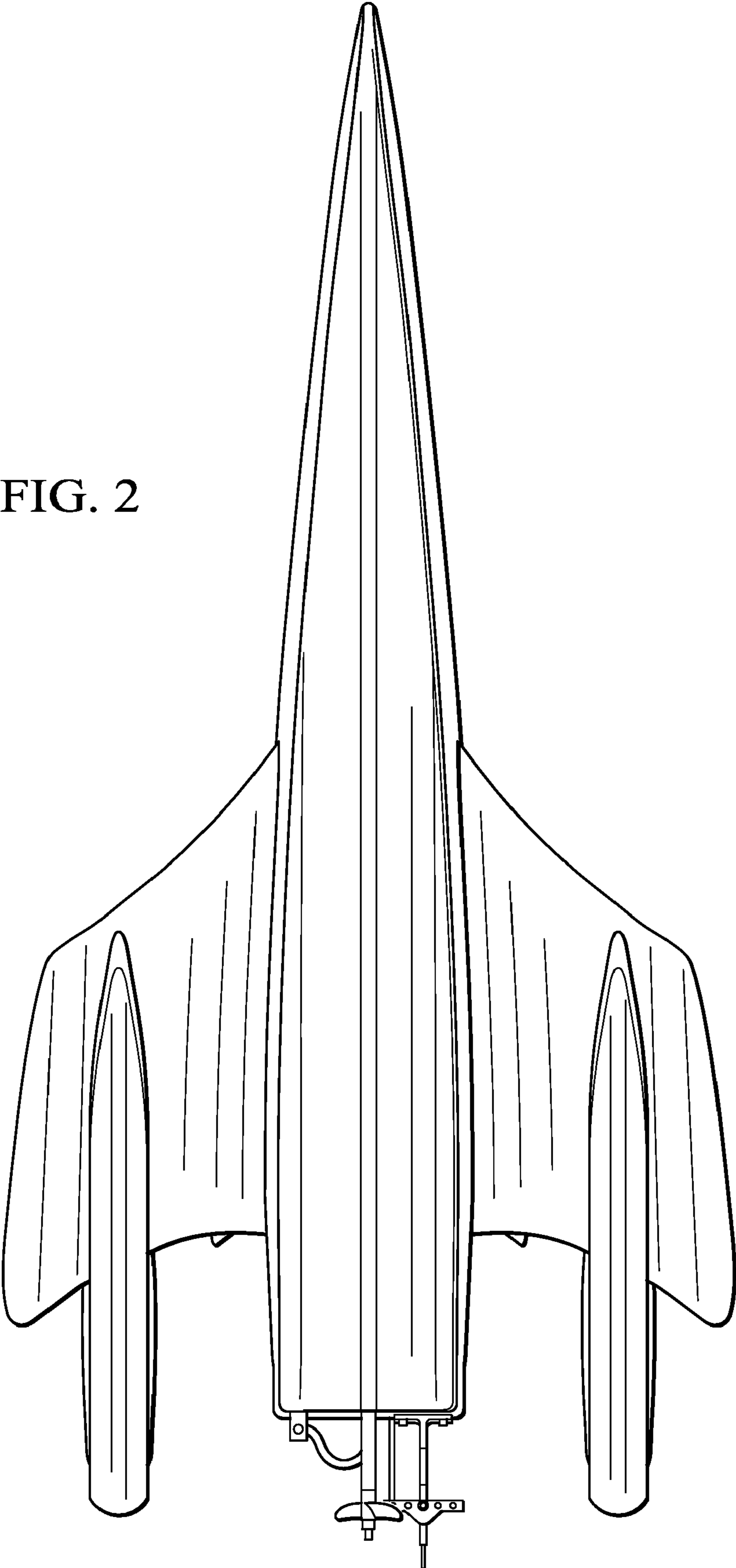


FIG. 1

FIG. 2



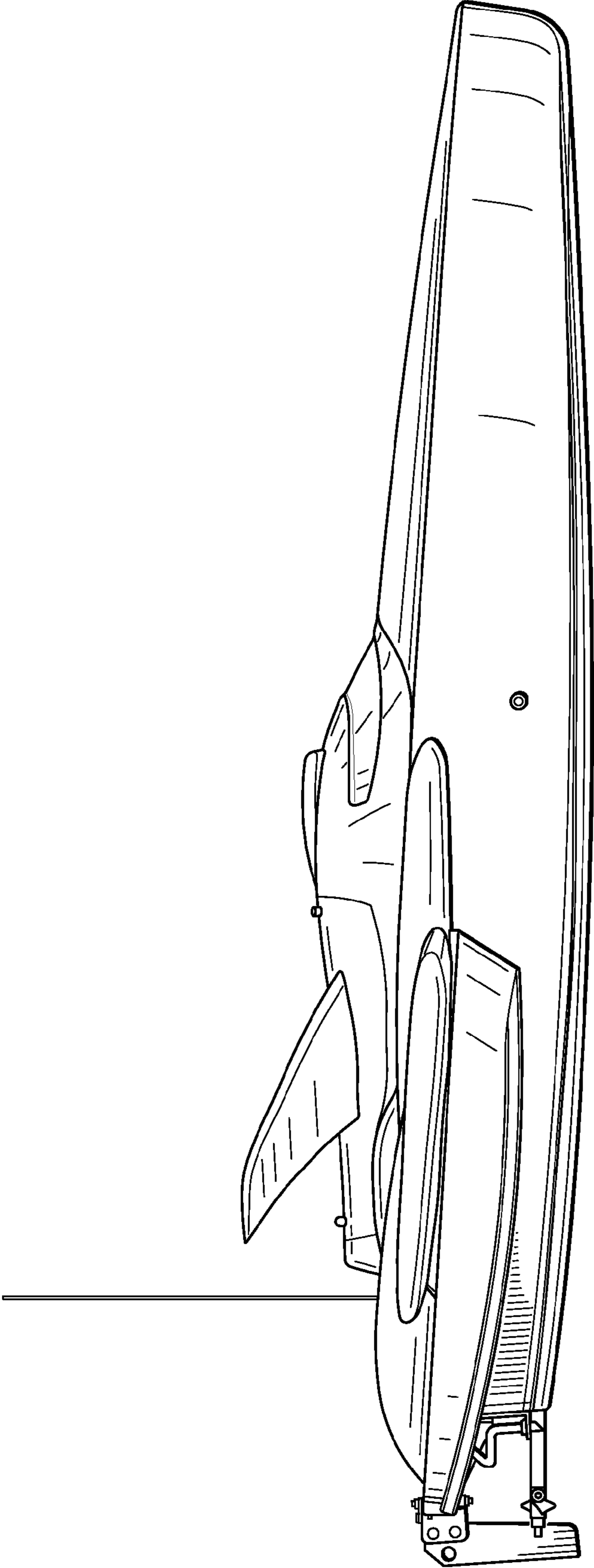


FIG. 3



FIG. 4

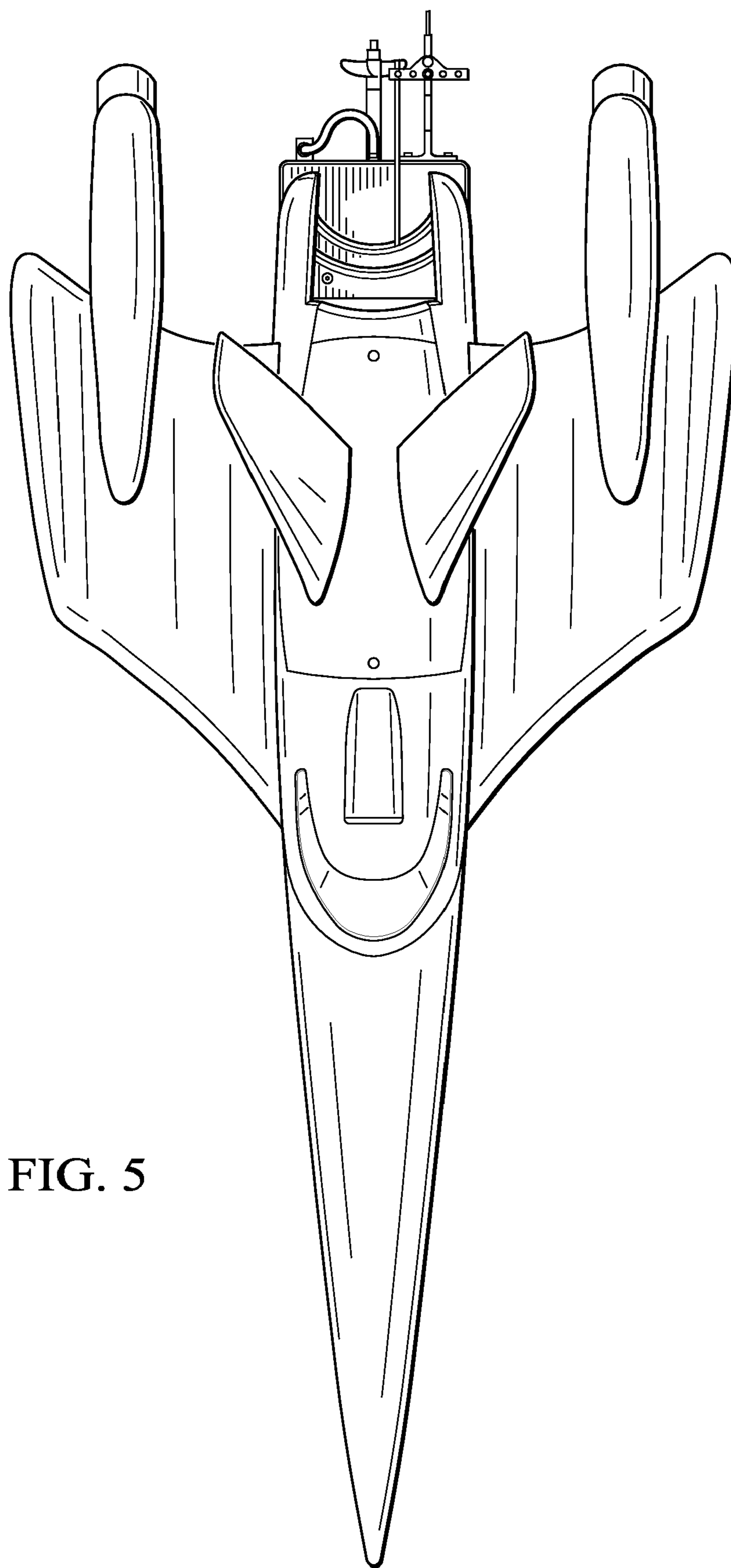


FIG. 5

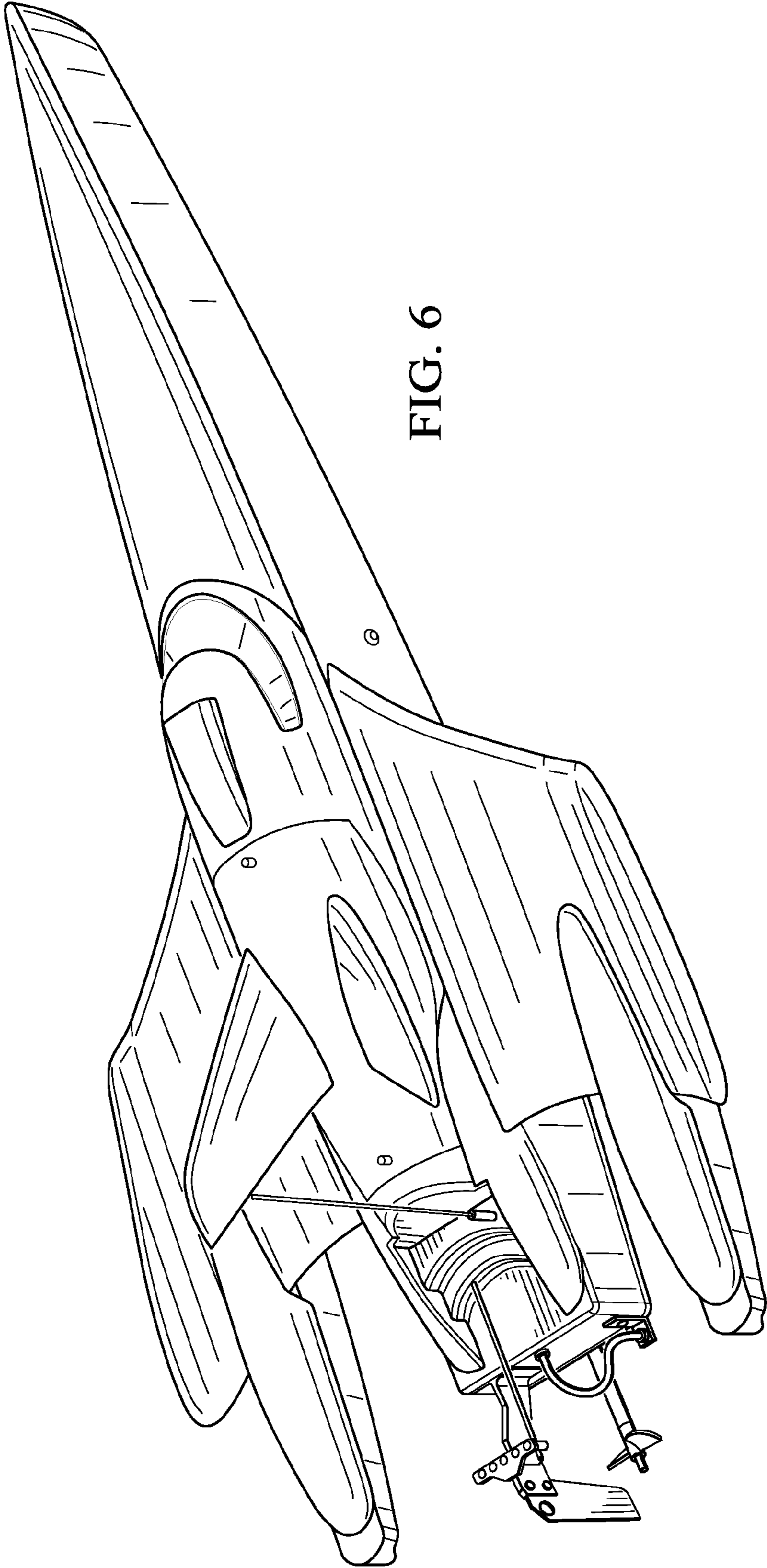


FIG. 6

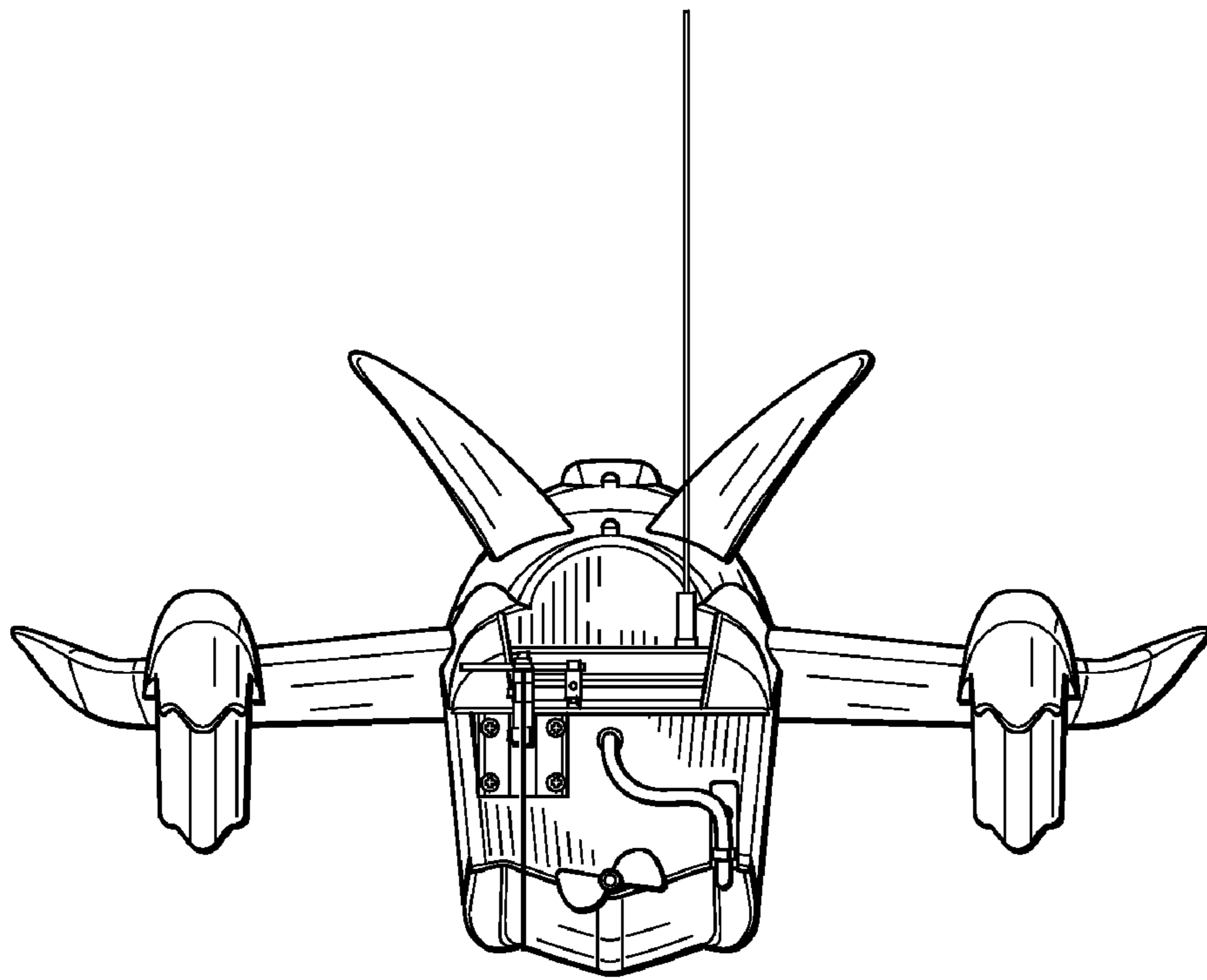


FIG. 7



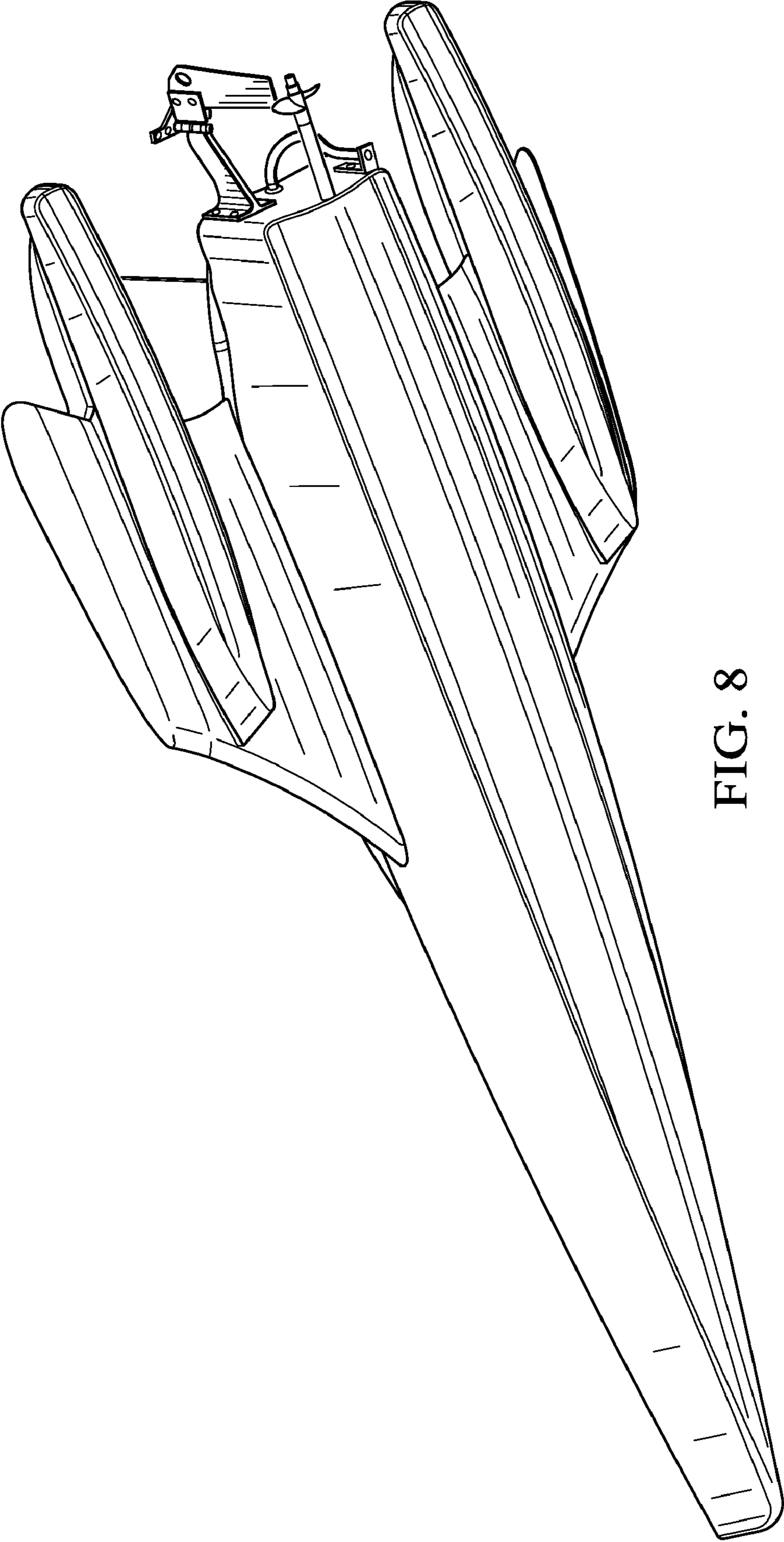


FIG. 8

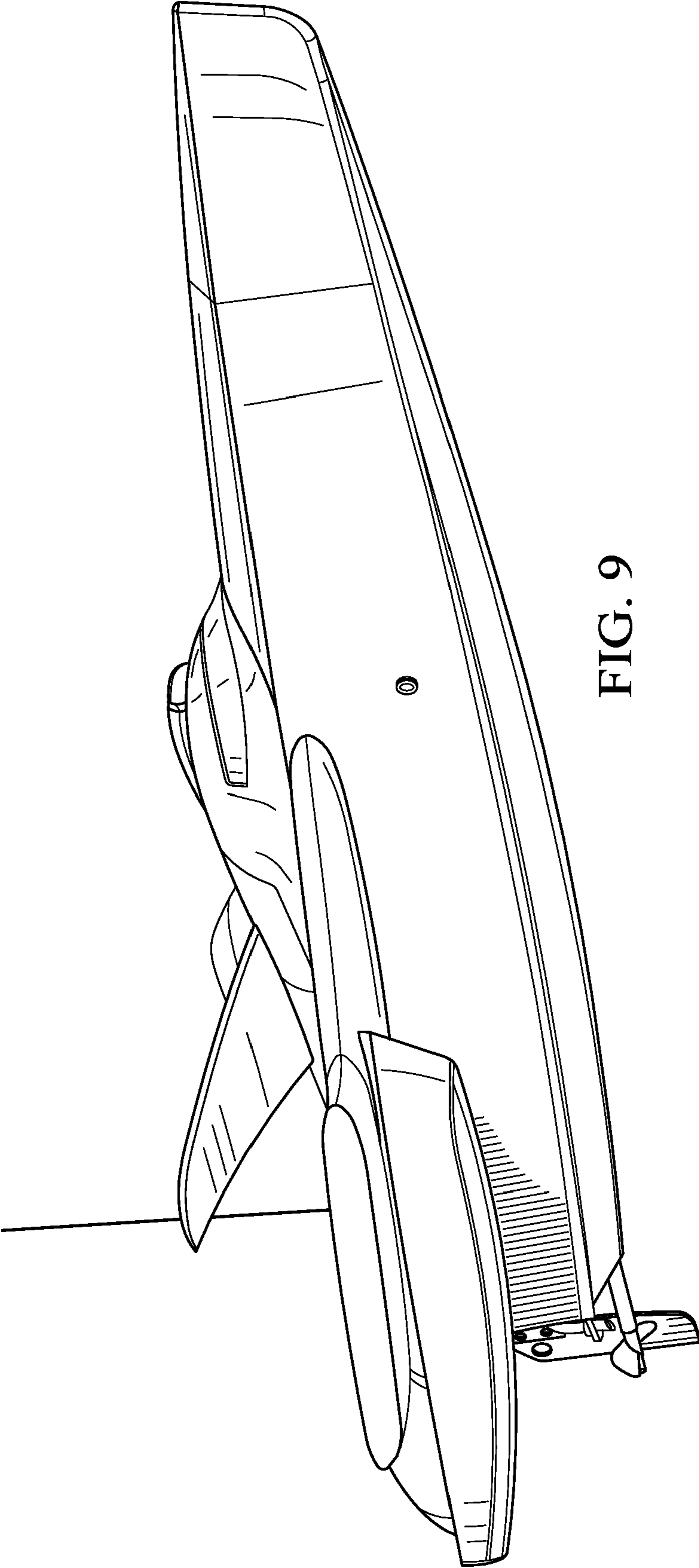


FIG. 9

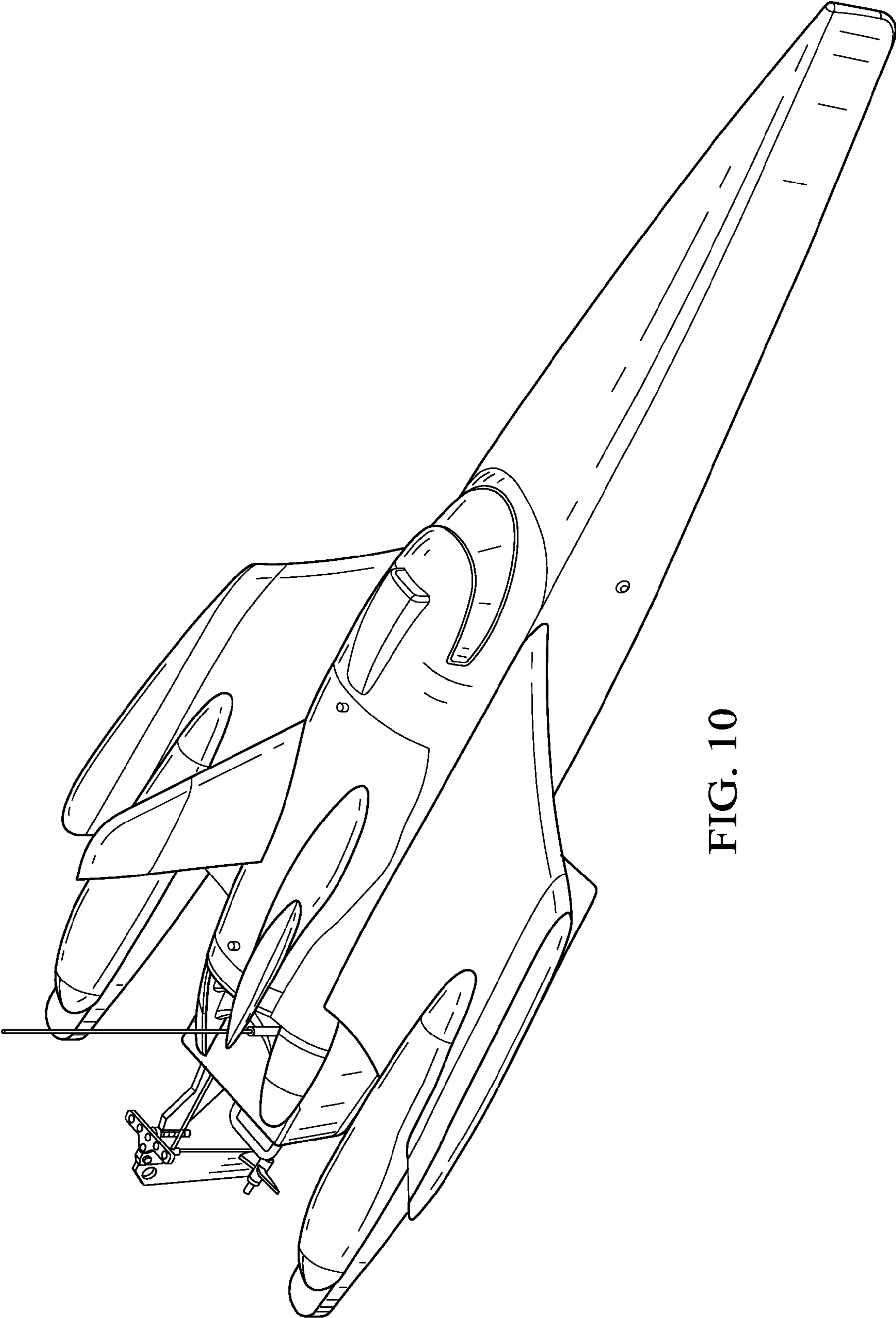


FIG. 10