



US00D645097S

(12) **United States Design Patent**
Block

(10) **Patent No.:** **US D645,097 S**

(45) **Date of Patent:** **** Sep. 13, 2011**

(54) **VIDEO GAME CONTROLLER TABLE
TENNIS ACCESSORY**

(75) **Inventor:** **Gerard Lambert Block**, West
Hollywood, CA (US)

(73) **Assignee:** **Performance Designed Products LLC**,
Sherman Oaks, CA (US)

(**) **Term:** **14 Years**

(21) **Appl. No.:** **29/357,244**

(22) **Filed:** **Mar. 9, 2010**

(51) **LOC (9) Cl.** **21-01**

(52) **U.S. Cl.** **D21/333**

(58) **Field of Classification Search** D21/324-333,
D21/729; D14/496, 440, 401, 454; 273/148 B,
273/317.1, 108.1, 461; 463/1, 2, 29-35,
463/46; 345/156, 905

See application file for complete search history.

(56) **References Cited**

U.S. PATENT DOCUMENTS

5,232,223	A *	8/1993	Dornbusch	463/37
D394,094	S *	5/1998	Davis et al.	D21/729
D423,599	S *	4/2000	Au Yeung	D21/324
6,086,478	A *	7/2000	Klitsner et al.	463/35
D450,766	S *	11/2001	Rosenbaum	D19/36
D453,030	S *	1/2002	Lutchen et al.	D21/329
D463,501	S *	9/2002	Isetani et al.	D21/324

D476,377	S *	6/2003	Klitsner et al.	D21/329
6,811,491	B1 *	11/2004	Levenberg et al.	463/47
D583,875	S *	12/2008	Roberts	D21/324
D589,567	S *	3/2009	Roberts	D21/324
D590,893	S *	4/2009	Roberts	D21/324
2005/0017454	A1 *	1/2005	Endo et al.	273/317.1

* cited by examiner

Primary Examiner — Prabhakar Deshmukh

(74) *Attorney, Agent, or Firm* — Sheppard Mullin Richter &
Hampton LLP

(57) **CLAIM**

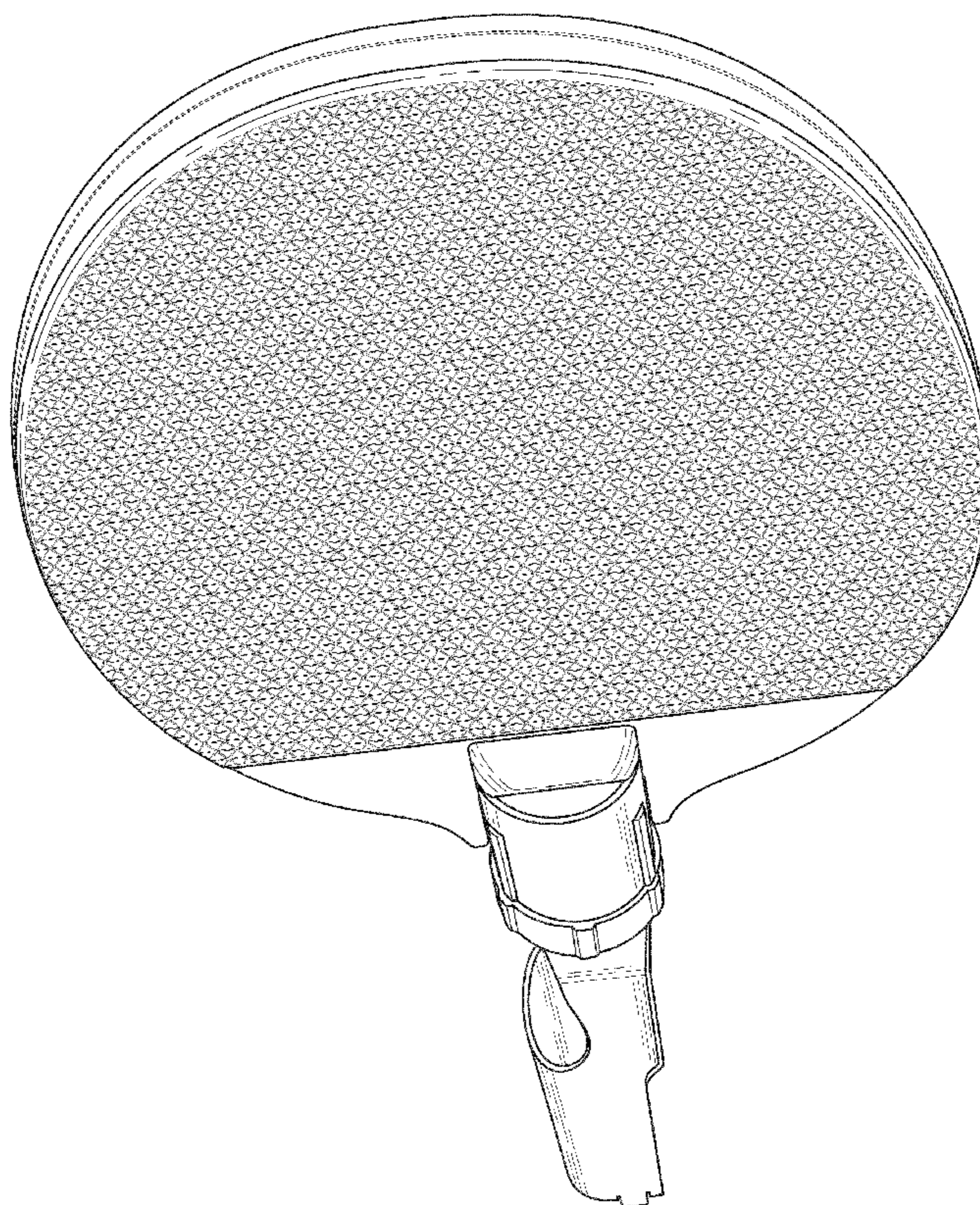
I claim the ornamental design for a video game controller
table tennis accessory, as shown and described.

DESCRIPTION

FIG. 1 is a perspective view of a video game controller table
tennis accessory showing, my new design;
FIG. 2 is a front elevational view thereof;
FIG. 3 is a rear elevational view thereof;
FIG. 4 is a side elevational view thereof;
FIG. 5 is another side elevational view thereof;
FIG. 6 is a top view thereof; and,
FIG. 7 is a bottom view thereof.

The broken lines illustrate portions of video game controller
table tennis accessory that form no part of the claimed design.
The broken lines illustrate the disclaimed portions of the
design and form no part of the claimed design.

1 Claim, 5 Drawing Sheets



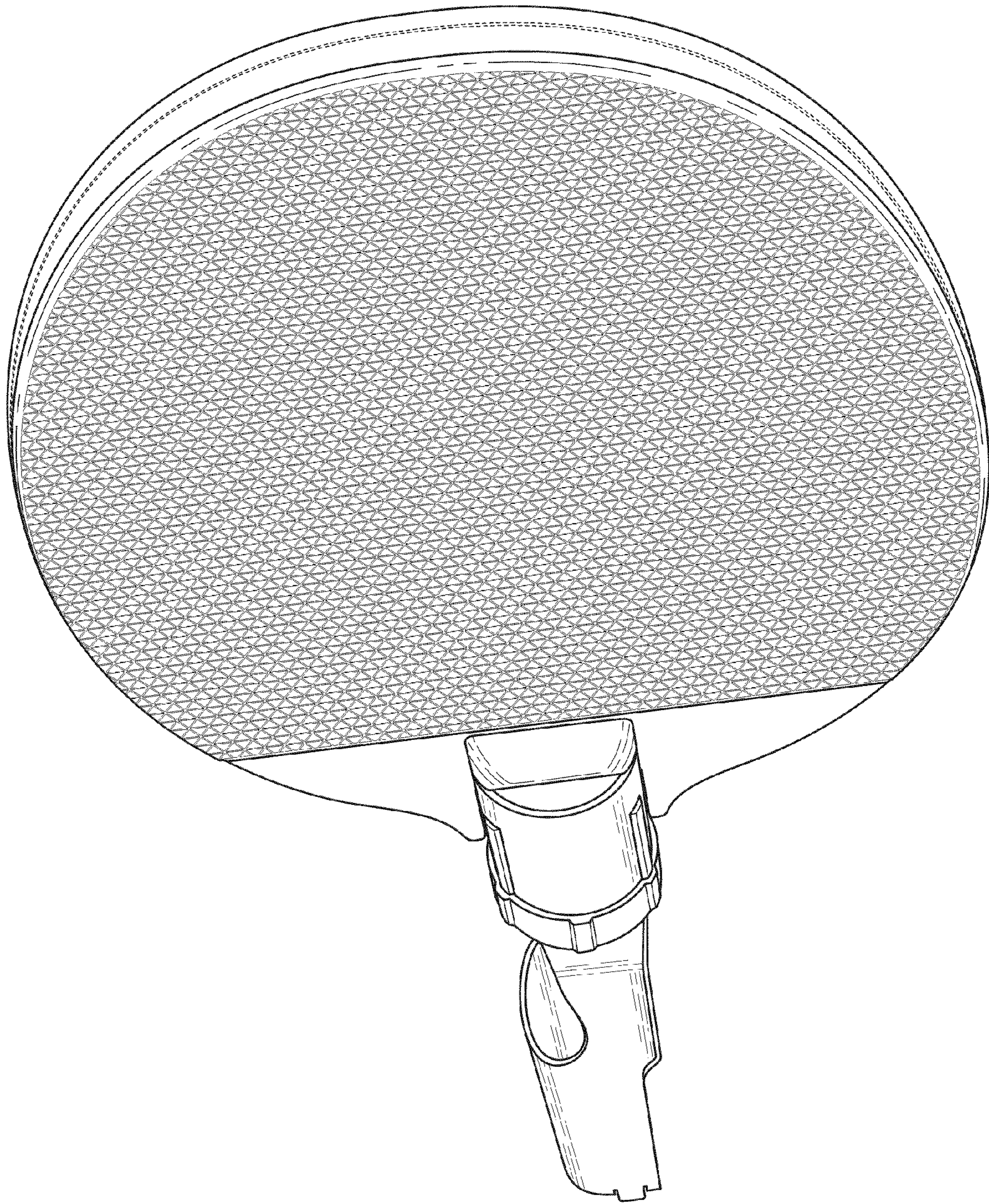


FIG. 1

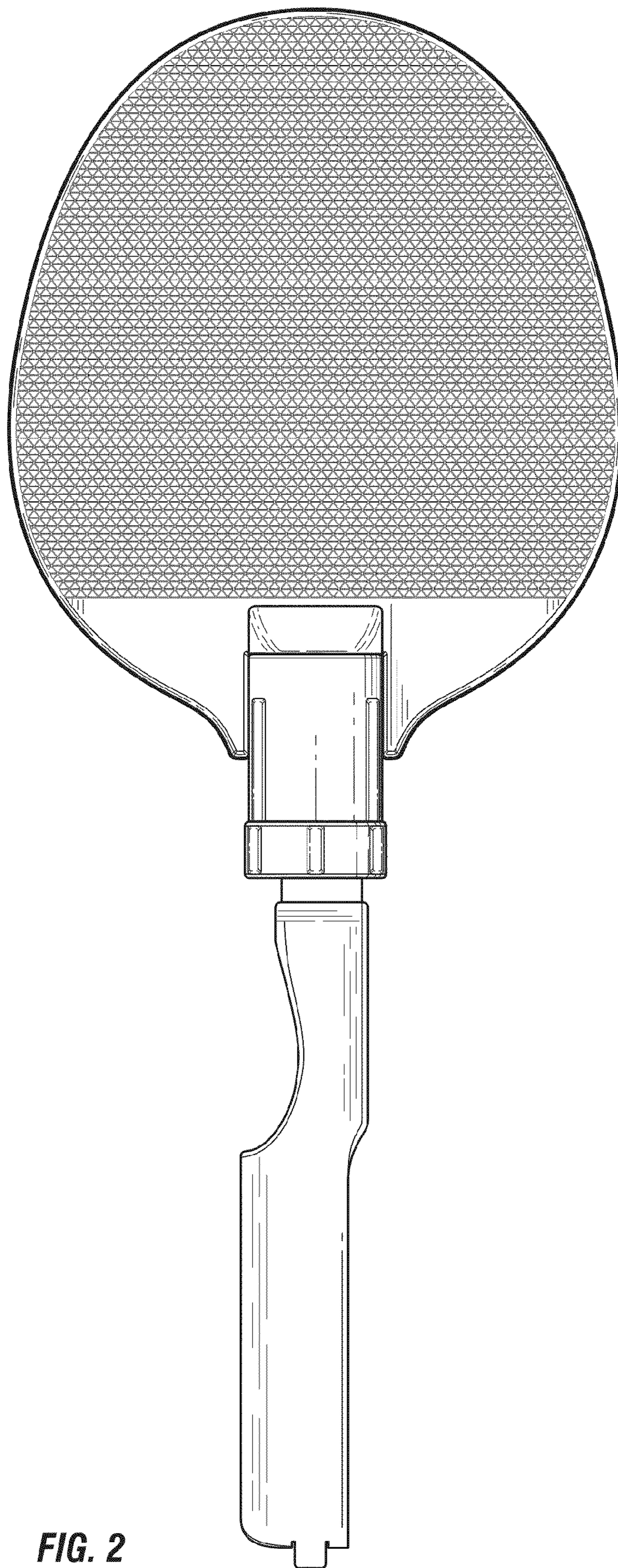


FIG. 2

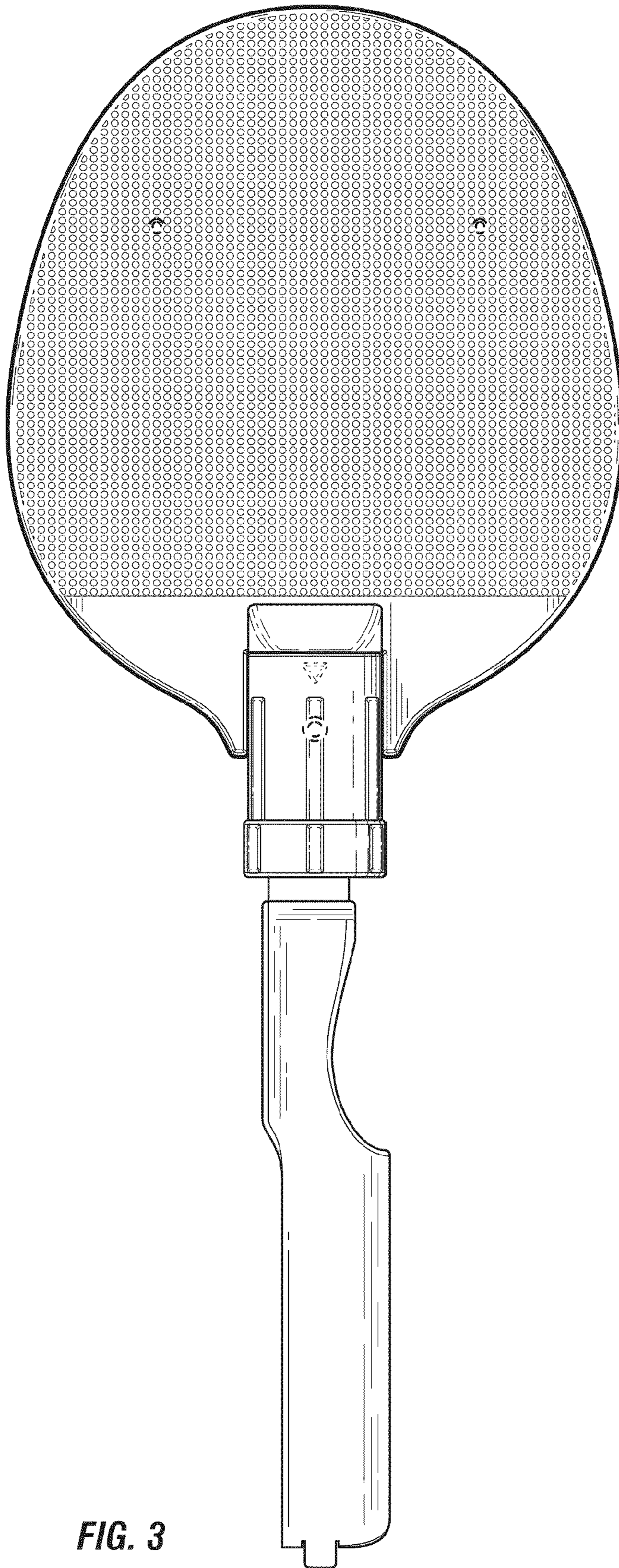


FIG. 3

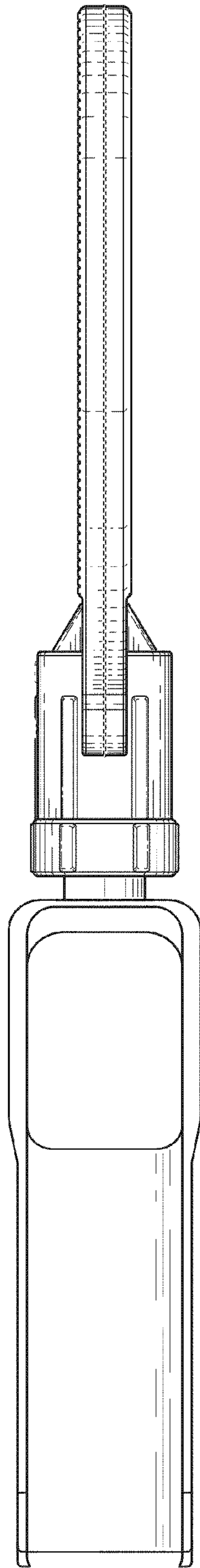


FIG. 4

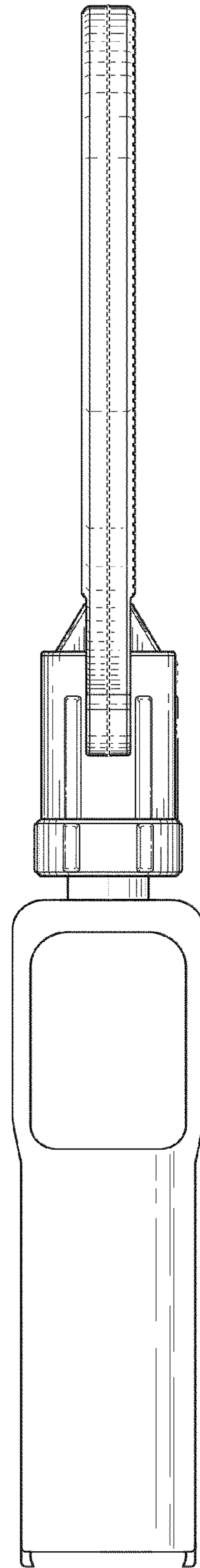


FIG. 5

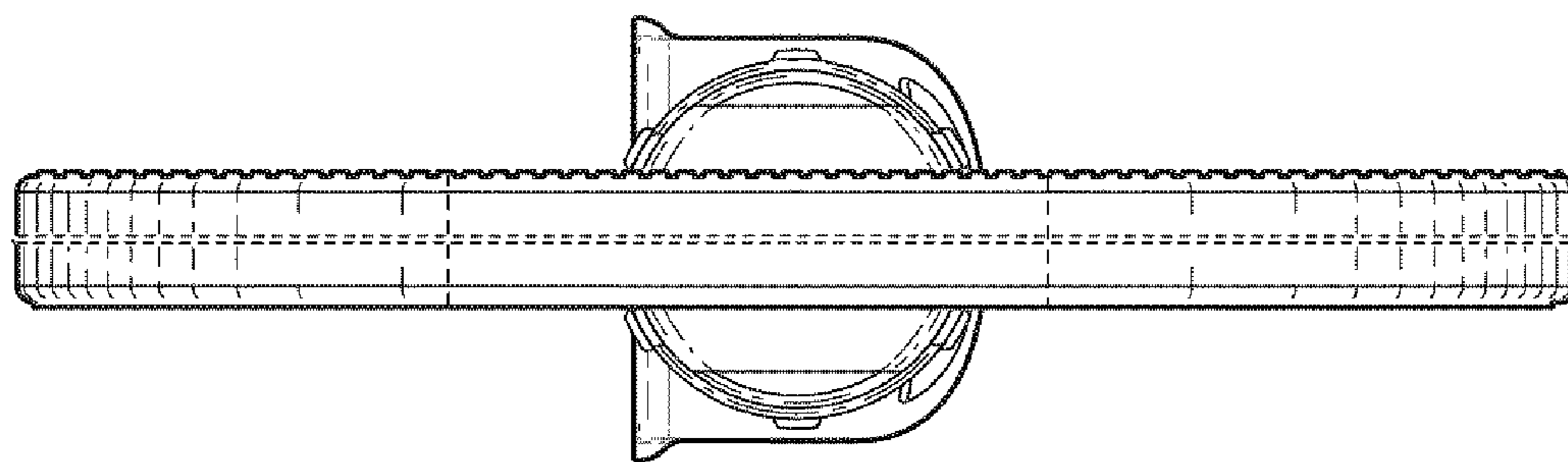


FIG. 6

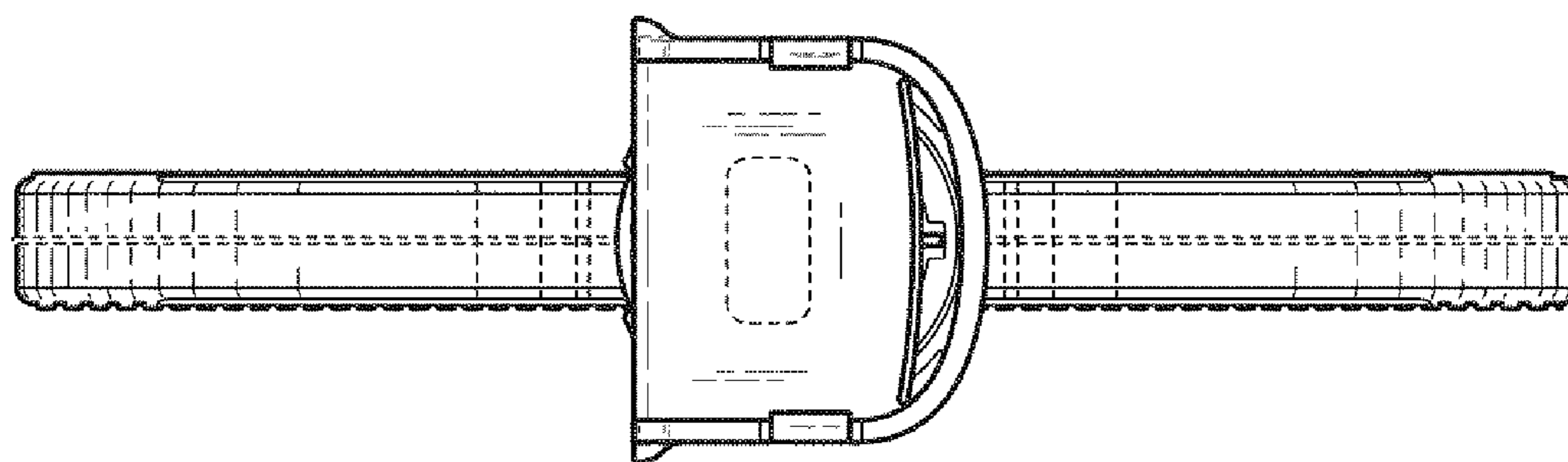


FIG. 7