



US00D645095S

(12) **United States Design Patent**
Garfinkle

(10) **Patent No.:** **US D645,095 S**

(45) **Date of Patent:** **** Sep. 13, 2011**

(54) **TAG HOLDER**

(76) Inventor: **Benjamin L. Garfinkle**, Piedmont, CA
(US)

(**) Term: **14 Years**

(21) Appl. No.: **29/384,917**

(22) Filed: **Feb. 4, 2011**

(51) **LOC (9) Cl.** **20-02**

(52) **U.S. Cl.** **D20/44**

(58) **Field of Classification Search** D20/10,
D20/15, 19, 40, 42-44, 99; 40/618, 642.02,
40/646-653, 654.01, 655, 658, 661, 661.01-661.09,
40/661.11, 661.13, 700; D25/119, 125; 211/57.1;
248/222.12

See application file for complete search history.

(56) **References Cited**

U.S. PATENT DOCUMENTS

D190,361 S *	5/1961	Hopp	D20/44
D273,596 S *	4/1984	Waldecrantz	D20/44
4,556,183 A *	12/1985	Greenberger	248/222.12
D426,584 S *	6/2000	Czalkiewicz	D20/43
6,092,320 A *	7/2000	Bringuet	40/618
D438,259 S *	2/2001	Florance	D20/43

D485,582 S *	1/2004	Valiulis	D20/44
D504,160 S *	4/2005	Abramson	D20/44
D580,992 S *	11/2008	Garfinkle	D20/43
D607,061 S *	12/2009	Kosir	D20/44
2009/0188140 A1 *	7/2009	Garfinkle	40/447
2009/0211135 A1 *	8/2009	Garfinkle	40/611.05
2011/0047845 A1 *	3/2011	Barile	40/658

* cited by examiner

Primary Examiner — Mary Ann Calabrese

(74) *Attorney, Agent, or Firm* — Bay Area Technology Law Group PC

(57) **CLAIM**

The ornamental design for a tag holder, as shown and described.

DESCRIPTION

FIG. 1 is a perspective view of a tag holder showing my new design;

FIG. 2 is a front view of FIG. 1;

FIG. 3 is a rear view of FIG. 1;

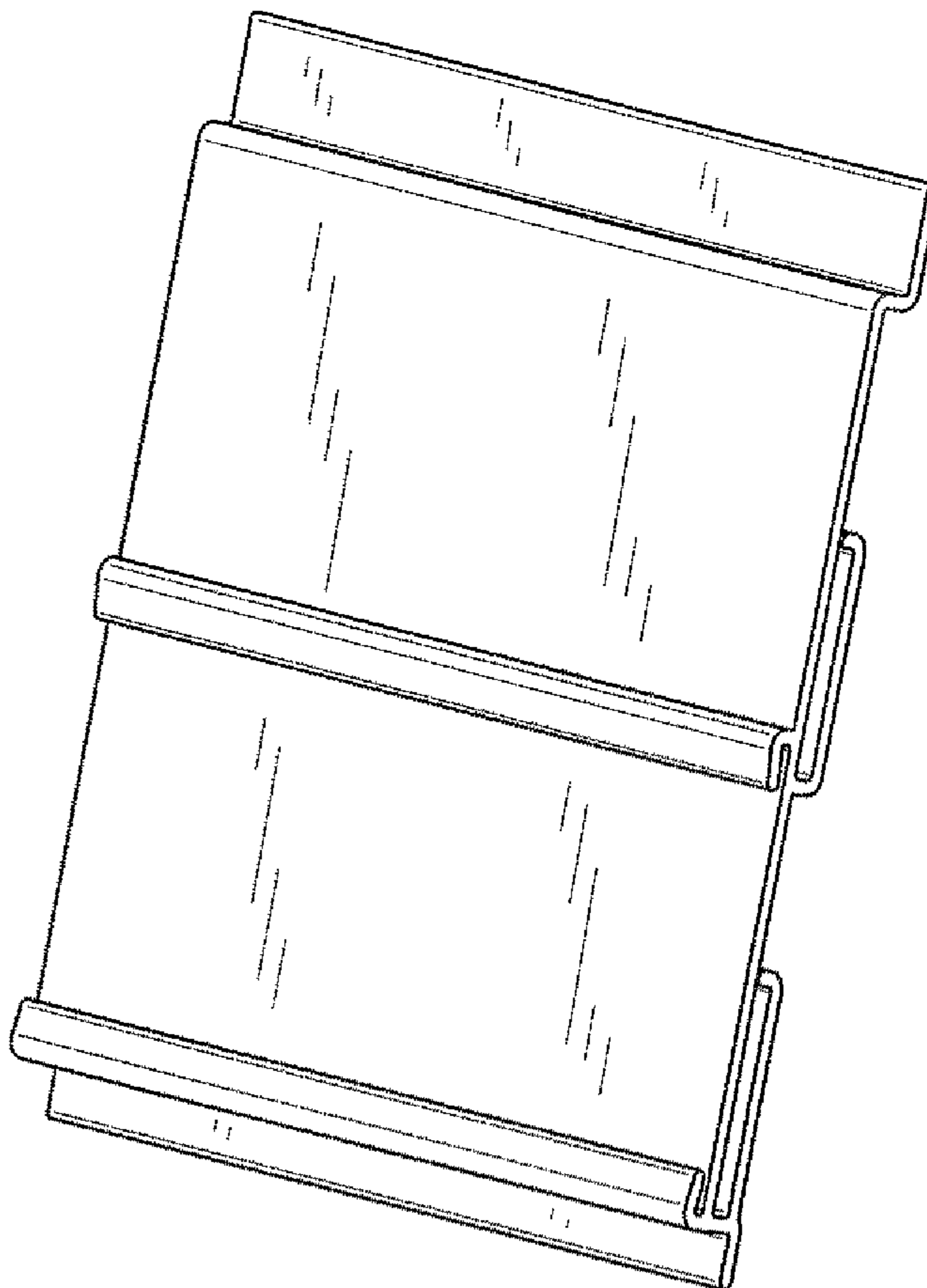
FIG. 4 is a left side view of FIG. 1;

FIG. 5 is a right side view of FIG. 1;

FIG. 6 is a top plan view of FIG. 1; and,

FIG. 7 is a bottom plan view of FIG. 1.

1 Claim, 2 Drawing Sheets



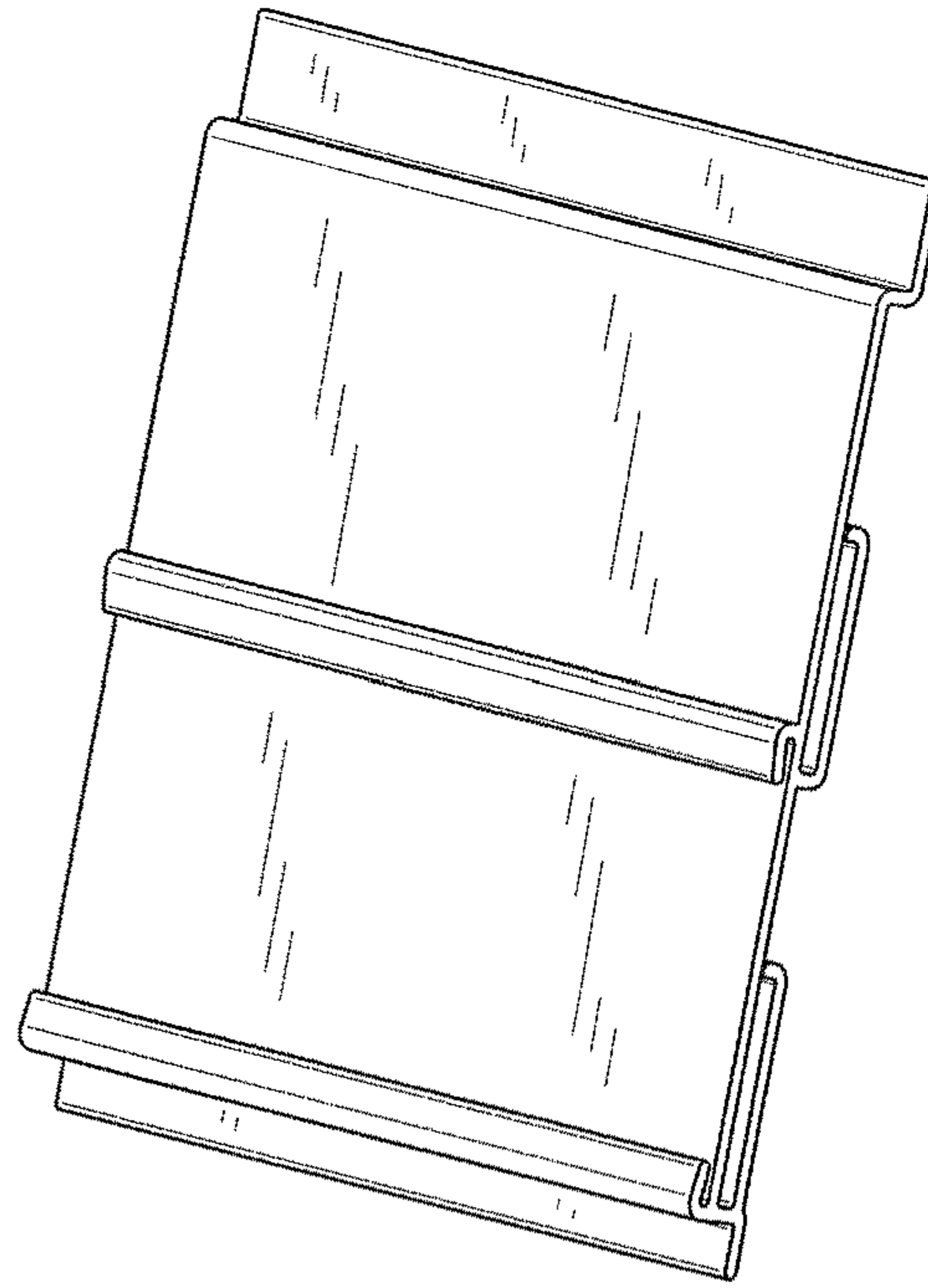


FIG. 1

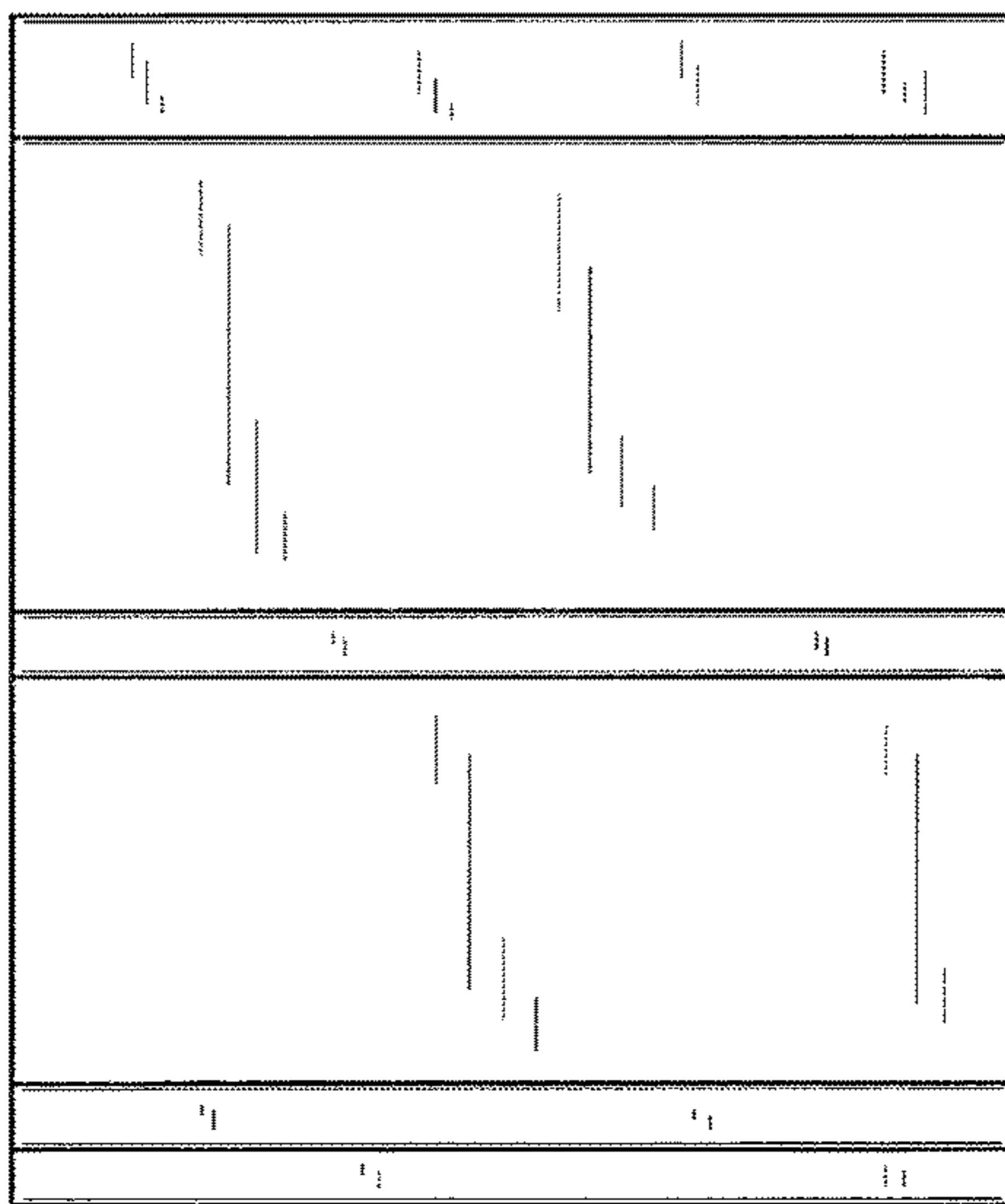


FIG. 2

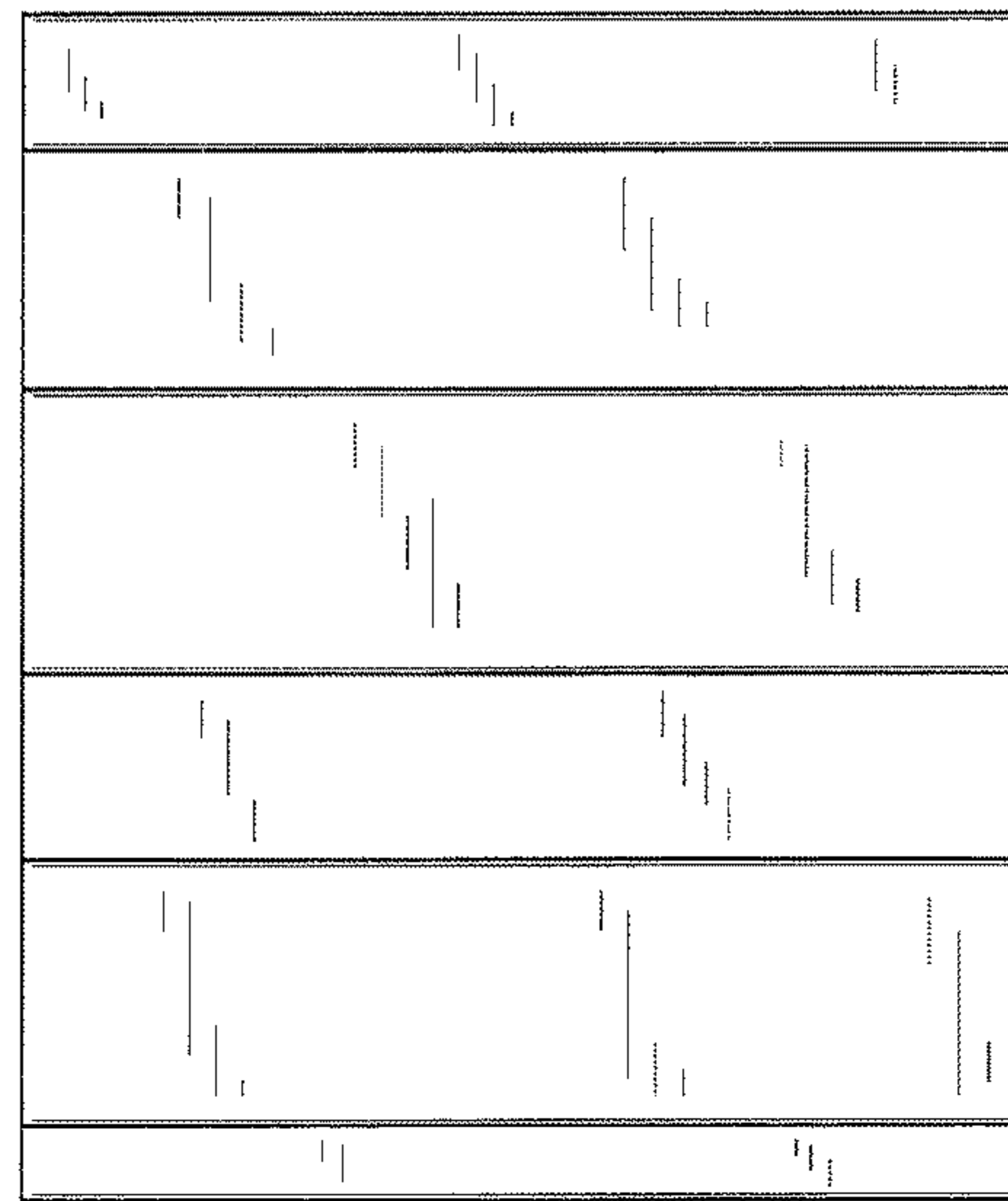


FIG. 3



FIG. 4



FIG. 5

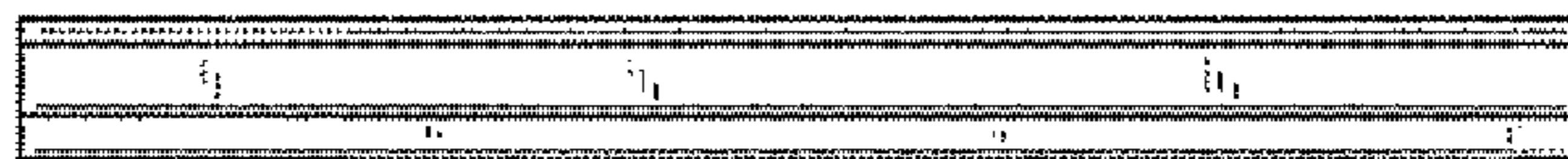


FIG. 6



FIG. 7