



US00D645088S

(12) **United States Design Patent**  
**Perkins**

(10) **Patent No.:** **US D645,088 S**

(45) **Date of Patent:** **\*\* Sep. 13, 2011**

(54) **WALL POCKET**

(75) Inventor: **Nancy Perkins**, Dallas, TX (US)

(73) Assignee: **Dallas Lighthouse for the Blind**, Dallas, TX (US)

(\*\*) Term: **14 Years**

(21) Appl. No.: **29/363,441**

(22) Filed: **Jun. 9, 2010**

(51) **LOC (9) Cl.** ..... **19-02**

(52) **U.S. Cl.** ..... **D19/90**

(58) **Field of Classification Search** ..... D3/304;  
D6/449, 475, 512, 553; D19/75, 77, 78,  
D19/86, 87, 90, 91; 206/215, 425, 449; 211/10,  
211/11, 45, 50, 55

See application file for complete search history.

(56) **References Cited**

**U.S. PATENT DOCUMENTS**

D247,112	S	*	1/1978	Olivan	.....	D12/422
4,099,813	A	*	7/1978	Olivan	.....	312/243
D257,924	S	*	1/1981	Rabig	.....	D6/573
D264,786	S	*	6/1982	Faas et al.	.....	D6/475
D286,600	S	*	11/1986	Meyer et al.	.....	D6/573
D298,265	S	*	10/1988	Snider et al.	.....	D19/90
D301,101	S	*	5/1989	Meyer	.....	D6/567
D313,310	S	*	1/1991	Kotkas	.....	D3/265
5,016,760	A	*	5/1991	Mayo	.....	211/55
D332,971	S	*	2/1993	Evenson	.....	D19/90
5,344,030	A	*	9/1994	Evenson	.....	211/55
D391,990	S	*	3/1998	Wolff	.....	D19/78
6,092,672	A	*	7/2000	Harris et al.	.....	211/11
D438,904	S	*	3/2001	Reynolds	.....	D19/90
D443,436	S	*	6/2001	Harada et al.	.....	D6/407
D486,185	S	*	2/2004	Sheldon et al.	.....	D19/90
D498,264	S	*	11/2004	Chen et al.	.....	D19/90
D504,468	S	*	4/2005	Chen et al.	.....	D19/90

D504,469	S	*	4/2005	Chen et al.	.....	D19/90
6,938,765	B2	*	9/2005	Awad	.....	206/354
D548,282	S	*	8/2007	Chen et al.	.....	D19/90
D573,653	S	*	7/2008	Chen et al.	.....	D19/90
D585,496	S	*	1/2009	Chen et al.	.....	D19/90
D585,942	S	*	2/2009	Chen et al.	.....	D19/90
D606,347	S	*	12/2009	Berry	.....	D6/553
D606,348	S	*	12/2009	White et al.	.....	D6/553
D611,142	S	*	3/2010	Melder	.....	D24/137

\* cited by examiner

*Primary Examiner* — Elizabeth Albert

(74) *Attorney, Agent, or Firm* — Harper Law Group PLLC;  
Scott L. Harper

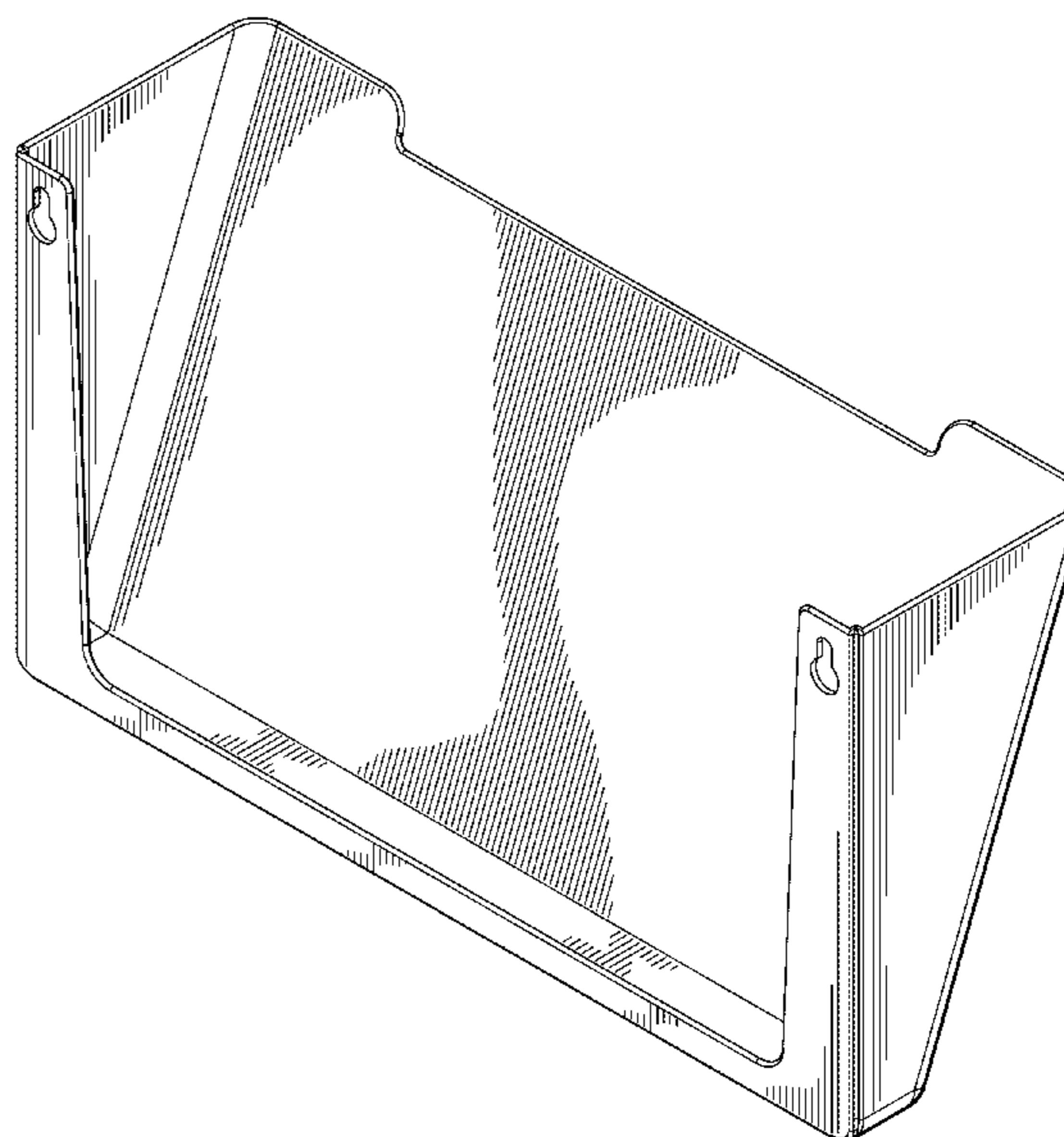
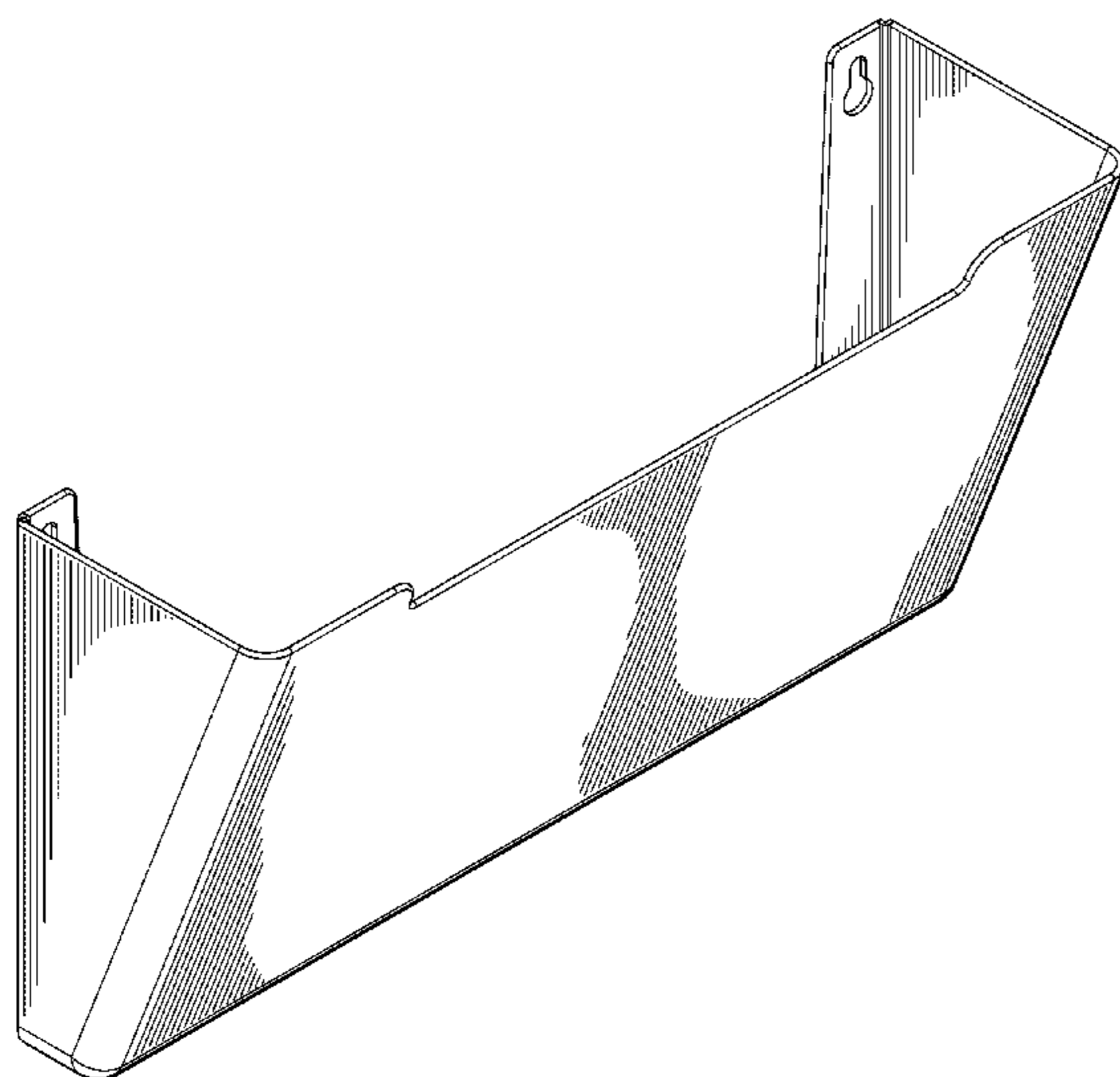
(57) **CLAIM**

The ornamental design for a wall pocket, as shown and described.

**DESCRIPTION**

FIG. 1 is a front perspective view of the wall pocket of the present invention;  
 FIG. 2 is a front elevational view of the wall pocket of the present invention;  
 FIG. 3 is a rear elevational view of the wall pocket of the present invention;  
 FIG. 4 is a left side elevational view of the wall pocket of the present invention;  
 FIG. 5 is a right side elevational view of the wall pocket of the present invention;  
 FIG. 6 is a top elevational view of the wall pocket of the present invention,  
 FIG. 7 is a bottom elevational view of the wall pocket of the present invention; and,  
 FIG. 8 is a rear perspective view of the wall pocket of the present invention.

**1 Claim, 6 Drawing Sheets**



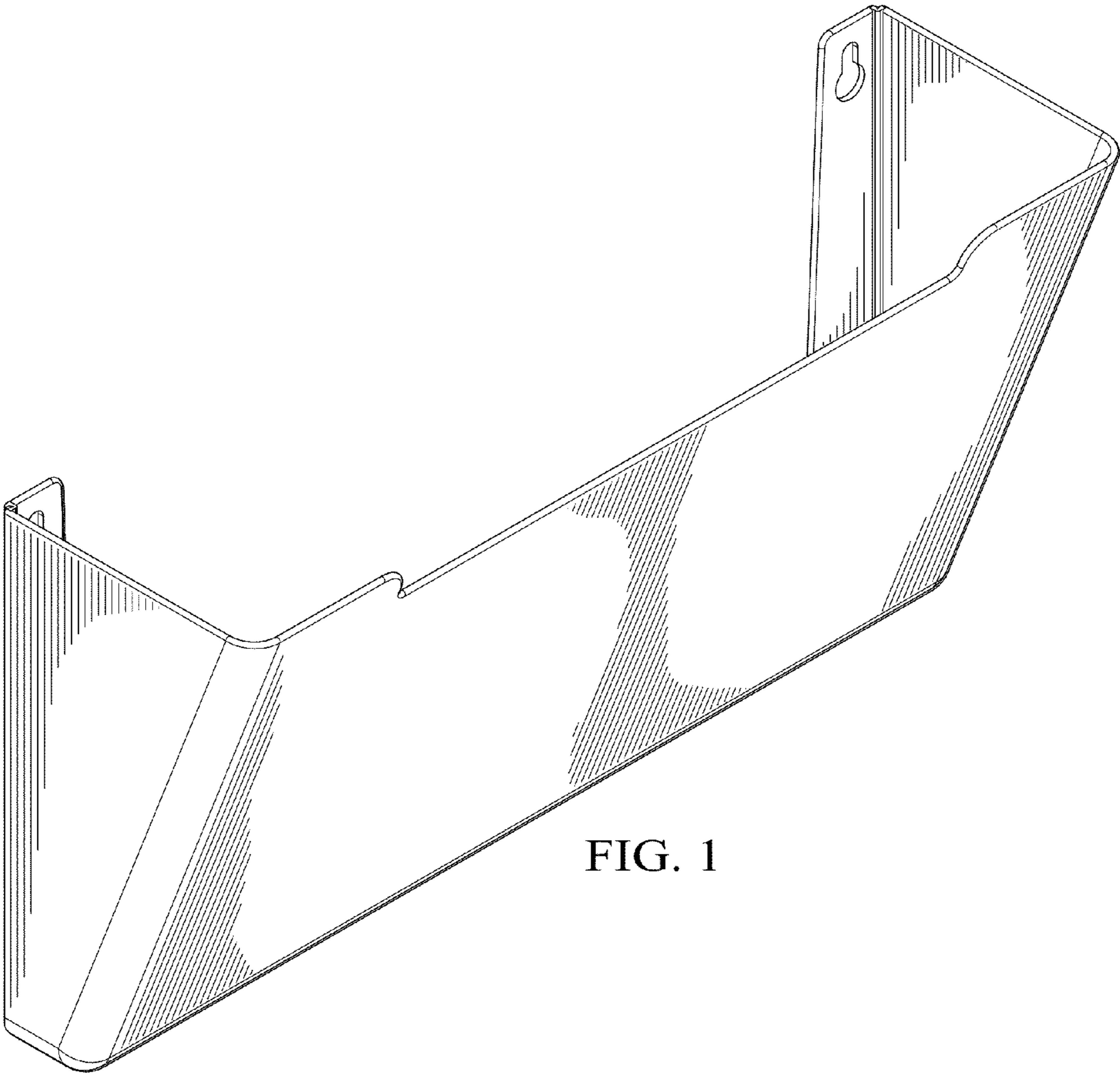


FIG. 1

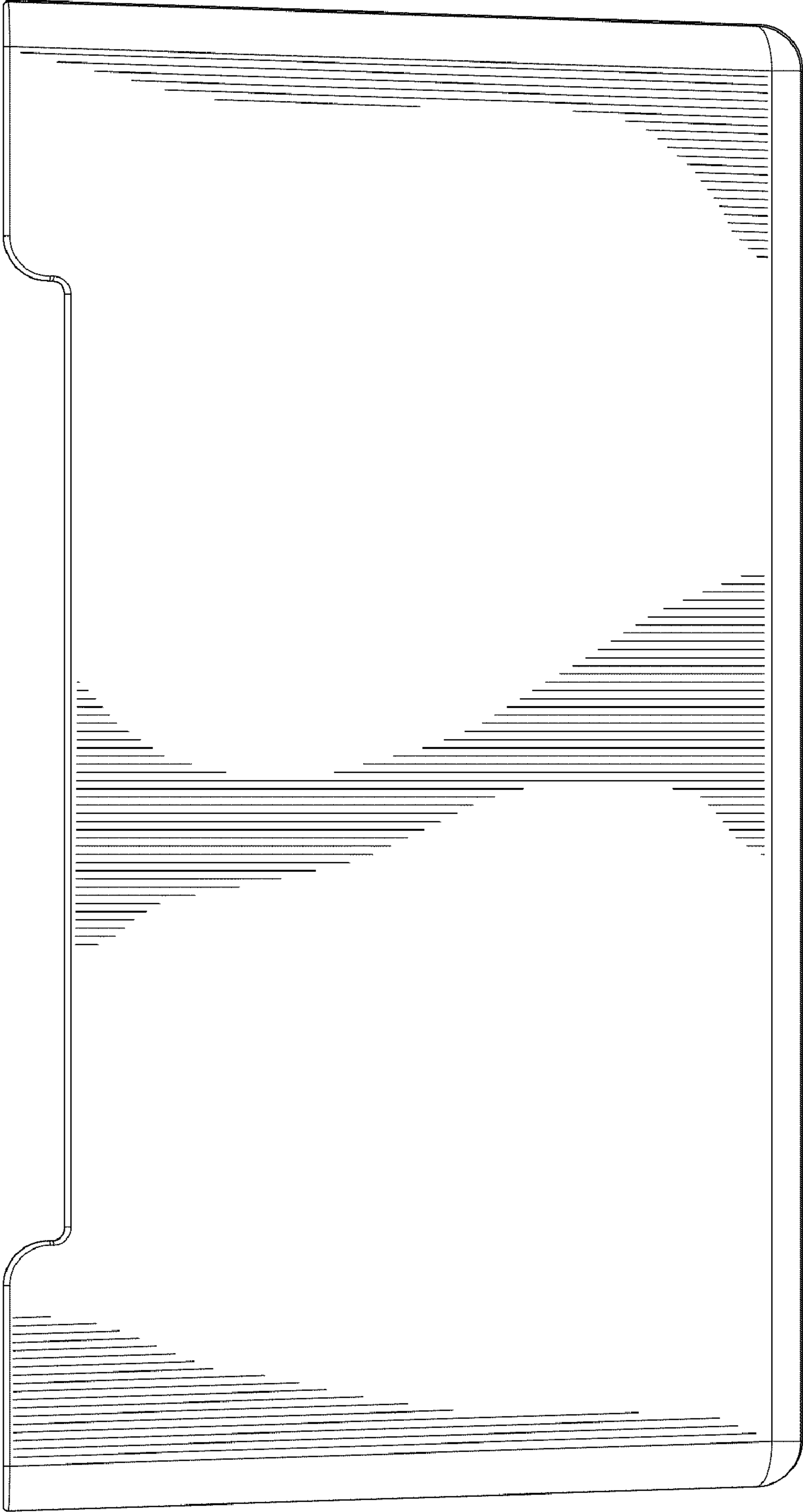


FIG. 2

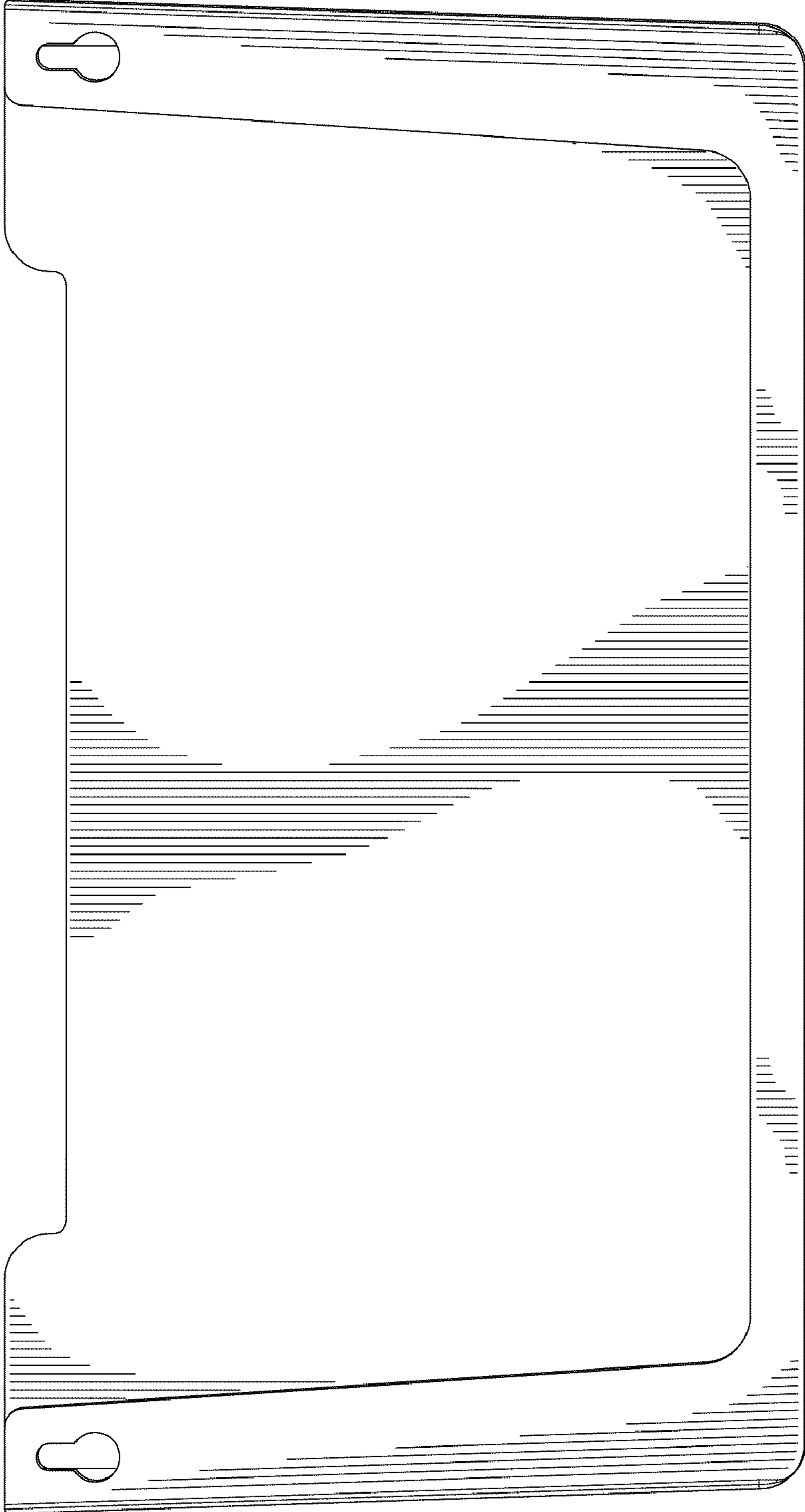


FIG. 3

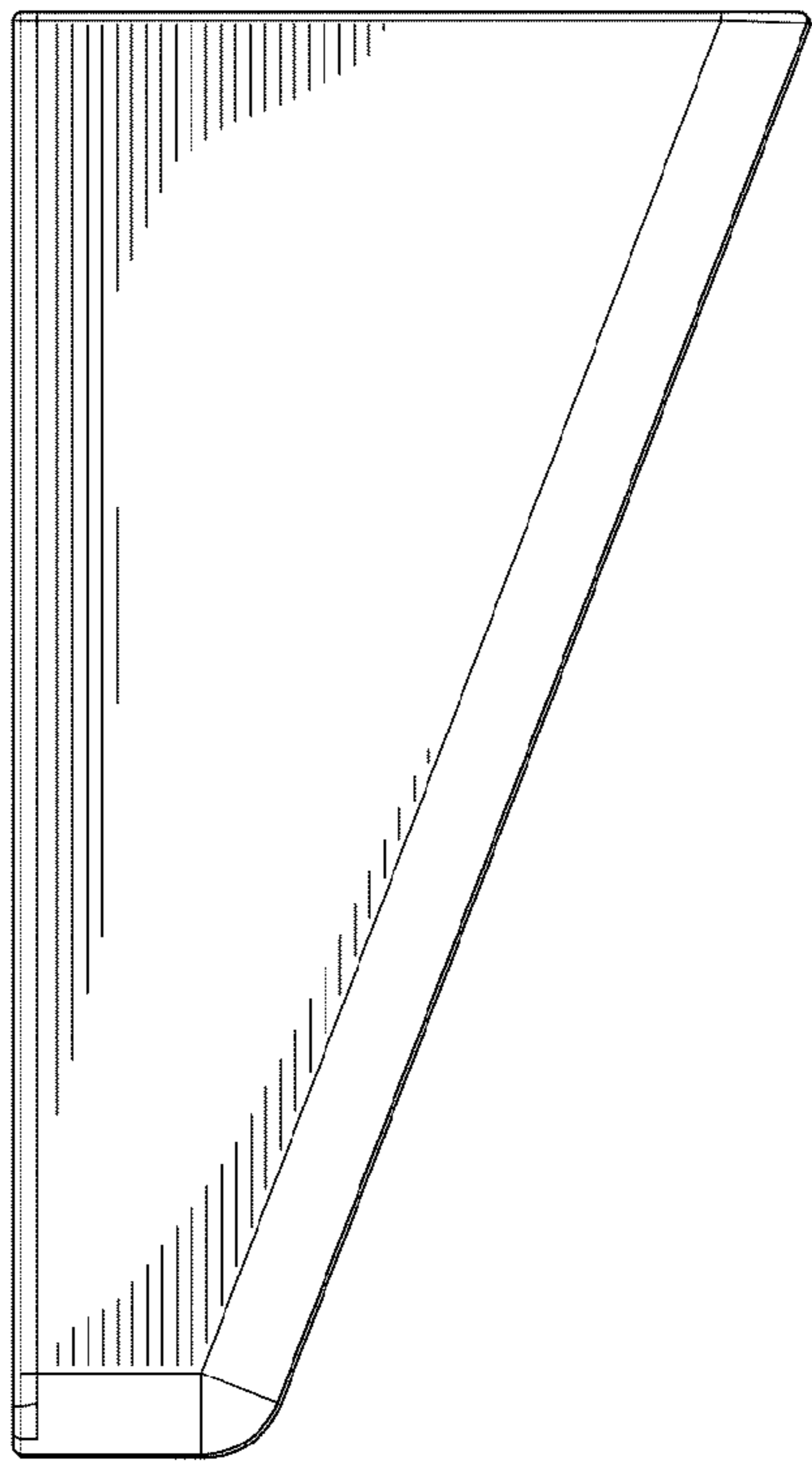


FIG. 4

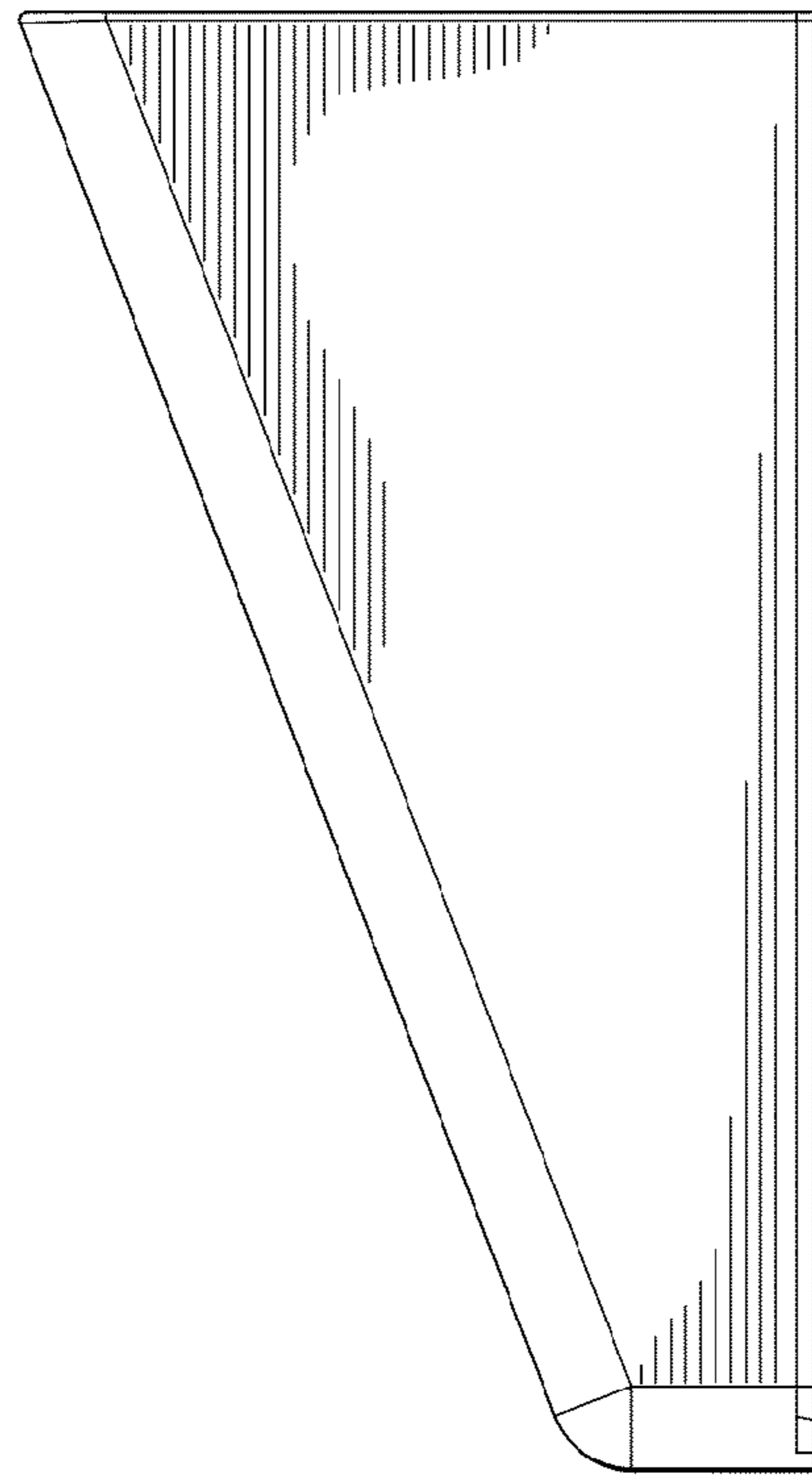


FIG. 5

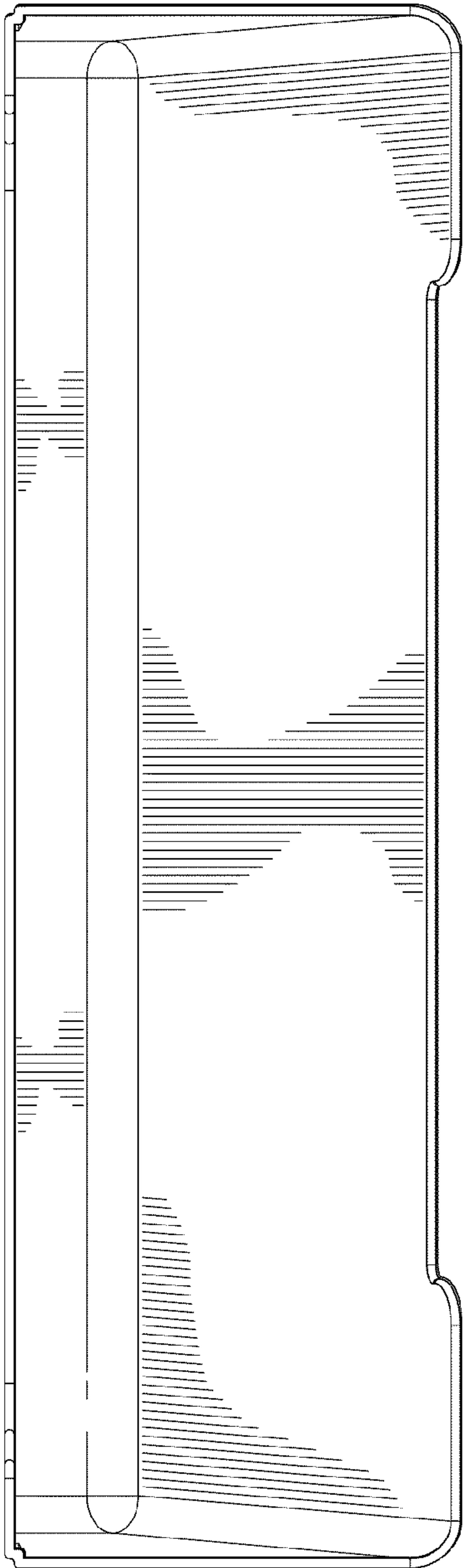


FIG. 6

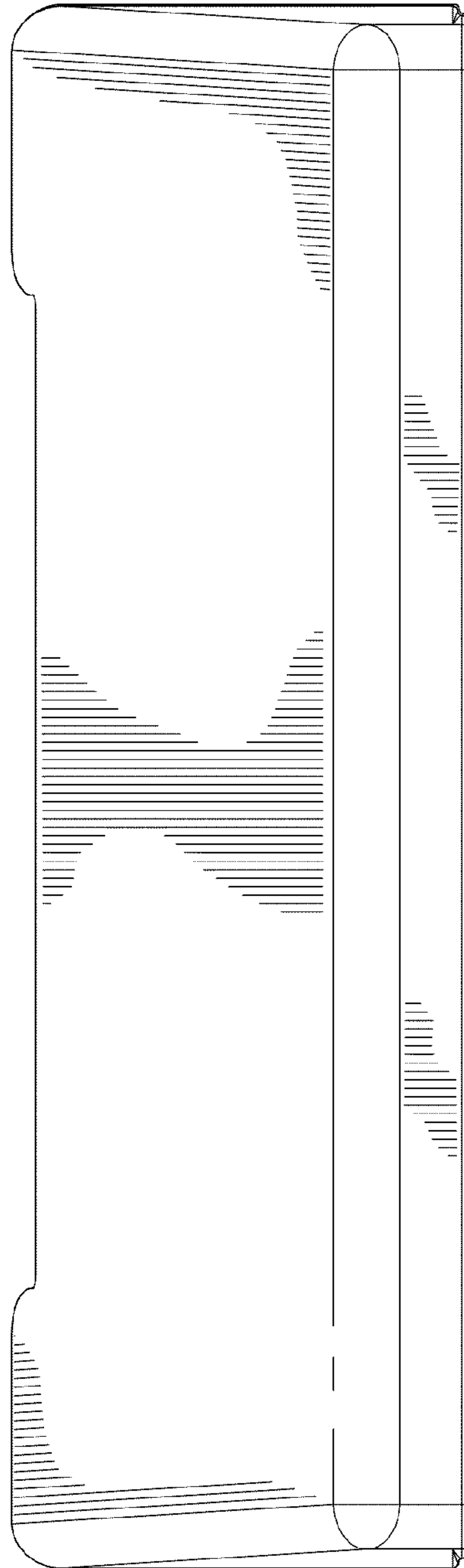


FIG. 7

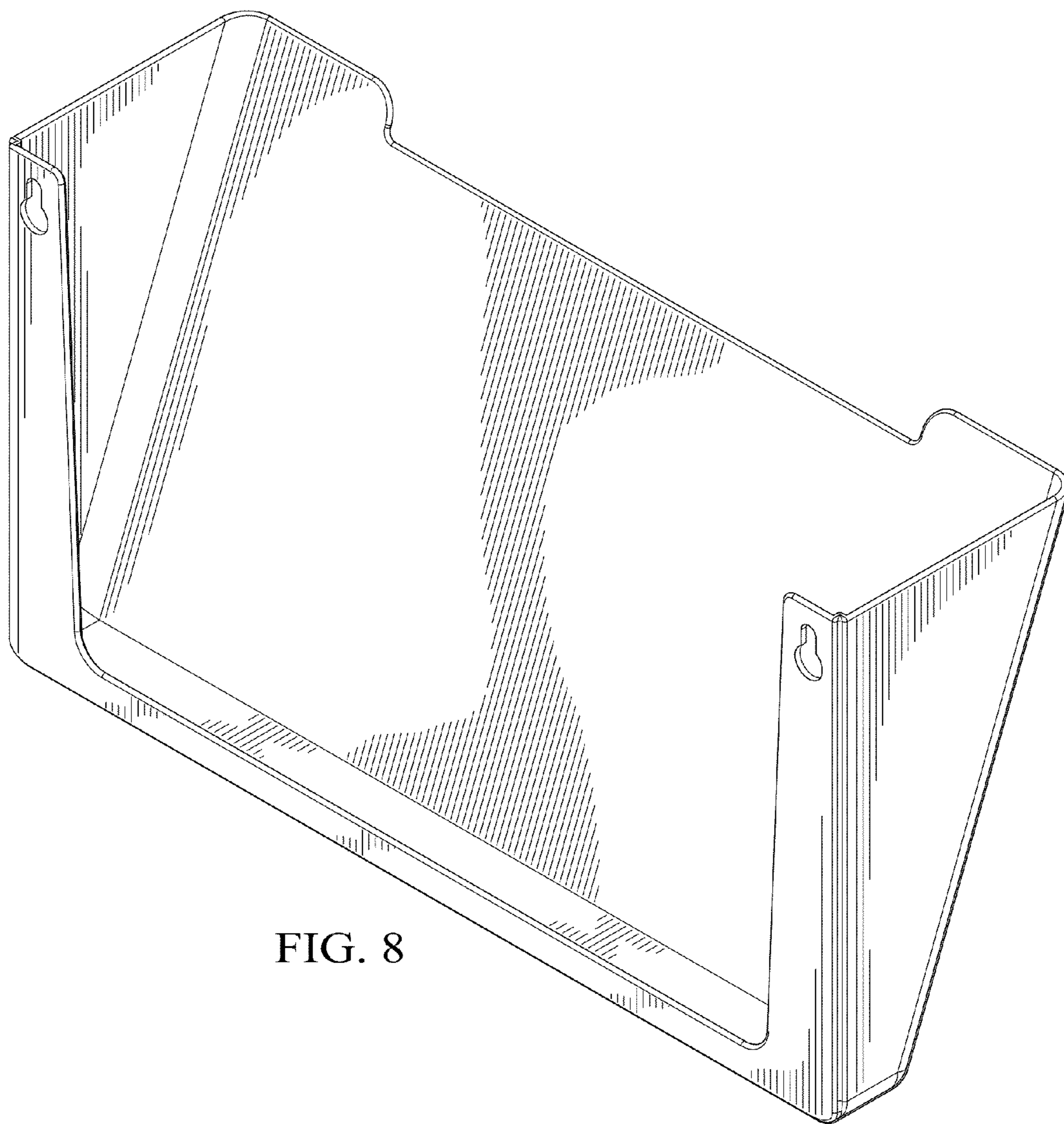


FIG. 8