



US00D645085S

(12) **United States Design Patent**
Jung

(10) **Patent No.:** **US D645,085 S**

(45) **Date of Patent:** **** Sep. 13, 2011**

(54) **ELASTIC BAND**

(75) **Inventor:** **Eva Jung**, Hamburg (DE)

(73) **Assignee:** **Deutsche Bibelgesellschaft (Kirchliche Stiftung des öffentlichen Rechts)**, Stuttgart (DE)

(**) **Term:** **14 Years**

(21) **Appl. No.:** **29/370,830**

(22) **Filed:** **Sep. 9, 2010**

(30) **Foreign Application Priority Data**

Mar. 17, 2010 (EM) 001202451

(51) **LOC (9) Cl.** **19-02**

(52) **U.S. Cl.** **D19/65**

(58) **Field of Classification Search** D11/96,
D11/121, 157; D19/34, 65, 86; 24/16 R,
24/17 A, 17 B, 67.3, 67.9, 67.11, 546, 563,
24/570, DIG. 8, DIG. 9, DIG. 16; 40/665;
206/442, 472, 805; 229/87.03; 281/42; 294/31.2,
294/146, 149

See application file for complete search history.

(56) **References Cited**

U.S. PATENT DOCUMENTS

224,230	A *	2/1880	Sanguinet	24/17 A
251,894	A *	1/1882	Kingman	40/309
381,879	A *	4/1888	Howard	24/17 R
510,621	A *	12/1893	Van Derveer	24/17 R
538,988	A *	5/1895	Ussher	294/150
675,318	A *	5/1901	Boothe	24/17 A
738,462	A *	9/1903	Lincoln	294/146
815,505	A *	3/1906	Blacker	24/17 A
902,695	A *	11/1908	Staley	24/17 A
929,952	A *	8/1909	Johnson	24/17 R
999,300	A *	8/1911	Collins	24/17 R
1,006,584	A *	10/1911	Millsaps	24/17 A
1,093,096	A *	4/1914	Allen	24/17 A
1,192,152	A *	7/1916	Atkinson	24/17 R
1,349,857	A *	8/1920	Salop	24/17 R

1,892,722	A *	1/1933	Dodge	24/17 R
1,986,649	A *	1/1935	Steele	24/17 R
2,028,251	A *	1/1936	Sins	24/17 R
3,010,236	A *	11/1961	Doig	428/5
3,023,941	A *	3/1962	Foley	224/604
3,865,292	A *	2/1975	Foley	294/149
3,933,287	A *	1/1976	Foley	294/149
D244,749	S *	6/1977	Hodges	D9/635
4,712,766	A *	12/1987	Ehrenhalt	251/90
4,726,509	A *	2/1988	Fonas	229/116.1
4,759,963	A *	7/1988	Uso et al.	428/100
4,784,265	A *	11/1988	Gitlitz et al.	206/423
4,982,885	A *	1/1991	Severson et al.	224/675
5,054,816	A	10/1991	Rosengarten	281/42

(Continued)

FOREIGN PATENT DOCUMENTS

DE 905 110 2/1954

(Continued)

Primary Examiner — Elizabeth Albert

(74) *Attorney, Agent, or Firm* — Abelman, Frayne & Schwab

(57) **CLAIM**

The ornamental design for an elastic band, as shown and described.

DESCRIPTION

FIG. 1 is a front, left side and bottom perspective view of the elastic band of my new design;

FIG. 2 is a front, right side and bottom perspective view of the elastic band in use;

FIG. 3 is a front elevation view as in FIG. 2, the rear elevation view being the same;

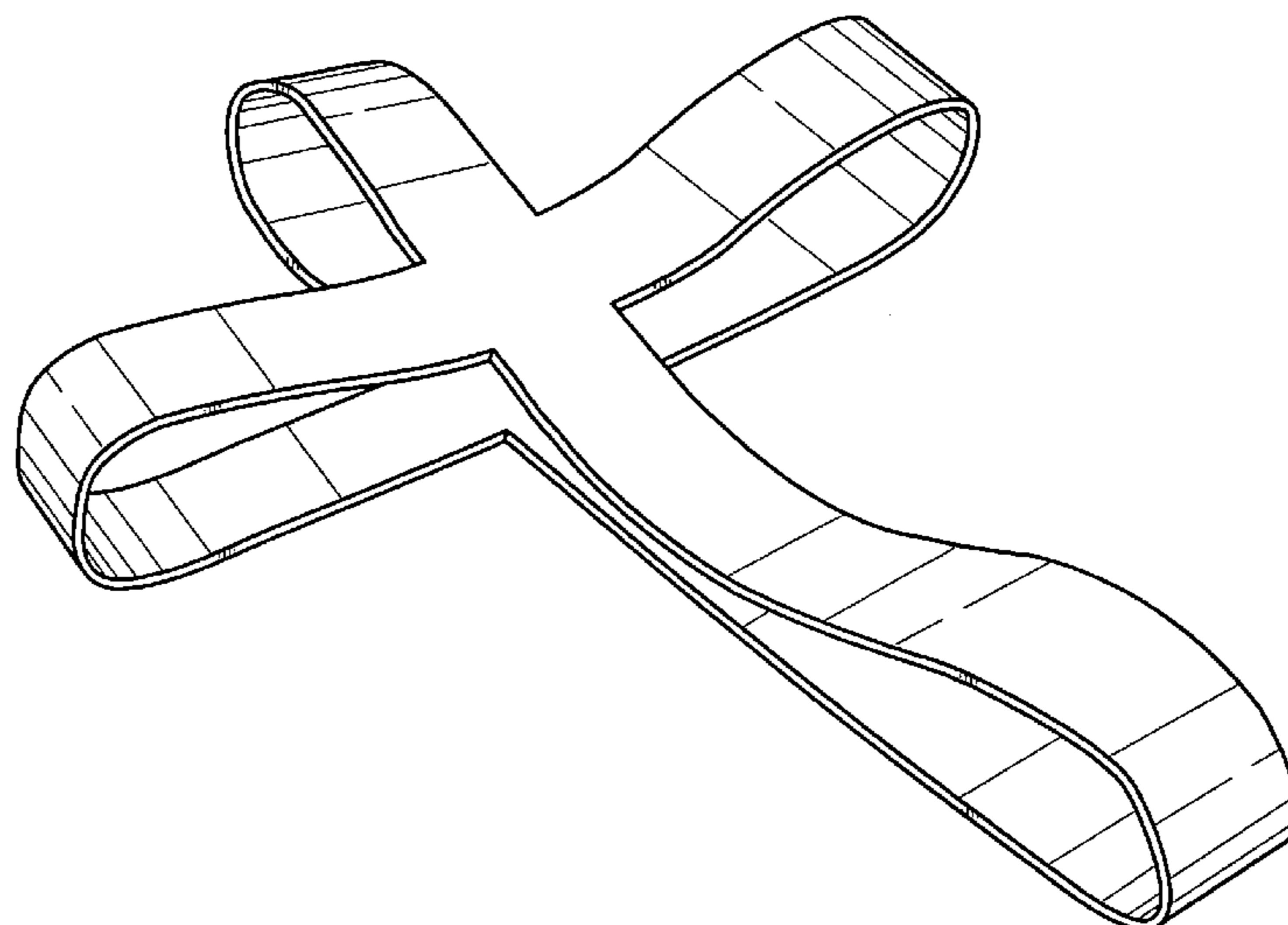
FIG. 4 is a right side view as in FIG. 2;

FIG. 5 is a left side view as in FIG. 2; and,

FIG. 6 is a top view as in FIG. 2, the bottom view being the same.

The matter shown in broken lines is for environmental purposes only and forms no part of the claimed design.

1 Claim, 6 Drawing Sheets



US D645,085 S

Page 2

U.S. PATENT DOCUMENTS

5,056,664 A * 10/1991 Demers 206/453
5,104,076 A * 4/1992 Goodall, Jr. 248/205.2
5,242,237 A * 9/1993 Wagner 402/80 R
5,535,928 A * 7/1996 Herring 224/250
D373,600 S * 9/1996 Oimas D19/91
D380,417 S * 7/1997 Hardy D26/16
5,924,662 A * 7/1999 Monty 248/205.2
D440,734 S * 4/2001 Berry D99/23
D443,556 S * 6/2001 Sinha et al. D11/96
D467,069 S * 12/2002 TenHoeve D3/218
6,651,838 B2 * 11/2003 Bissell 220/741
6,708,375 B1 * 3/2004 Johnson 24/17 A

D494,884 S * 8/2004 Steiner D11/96
D534,584 S * 1/2007 Goldberg et al. D19/34
7,464,975 B1 * 12/2008 Cox 294/138
D617,768 S * 6/2010 Taghva D14/203.2
D618,135 S * 6/2010 Horst D11/157
7,905,039 B2 * 3/2011 Karovic 40/320

FOREIGN PATENT DOCUMENTS

DE 36 14 728 4/1986
GB 21258 9/1911
GB 2 434 617 1/2007

* cited by examiner

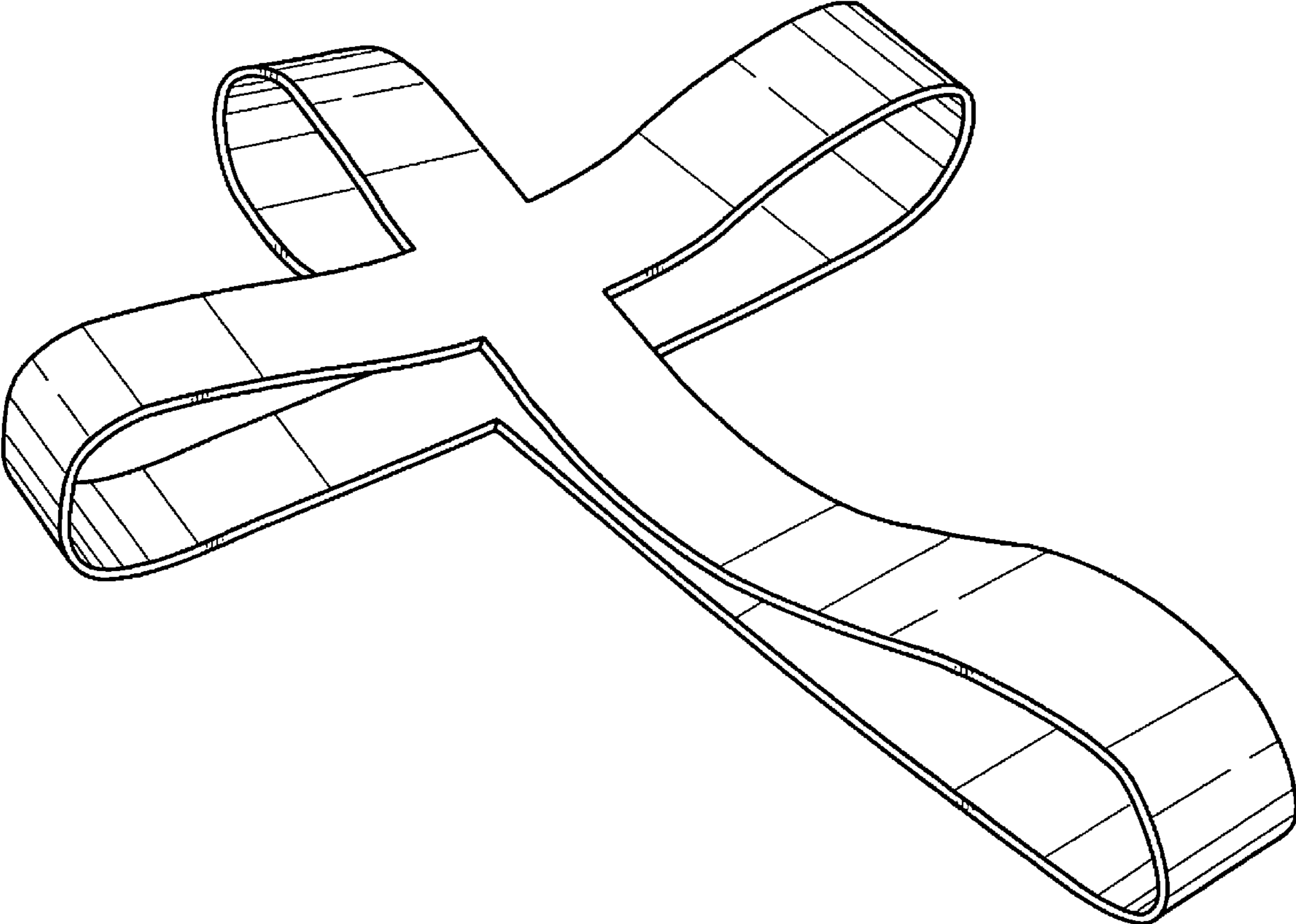


FIG. 1

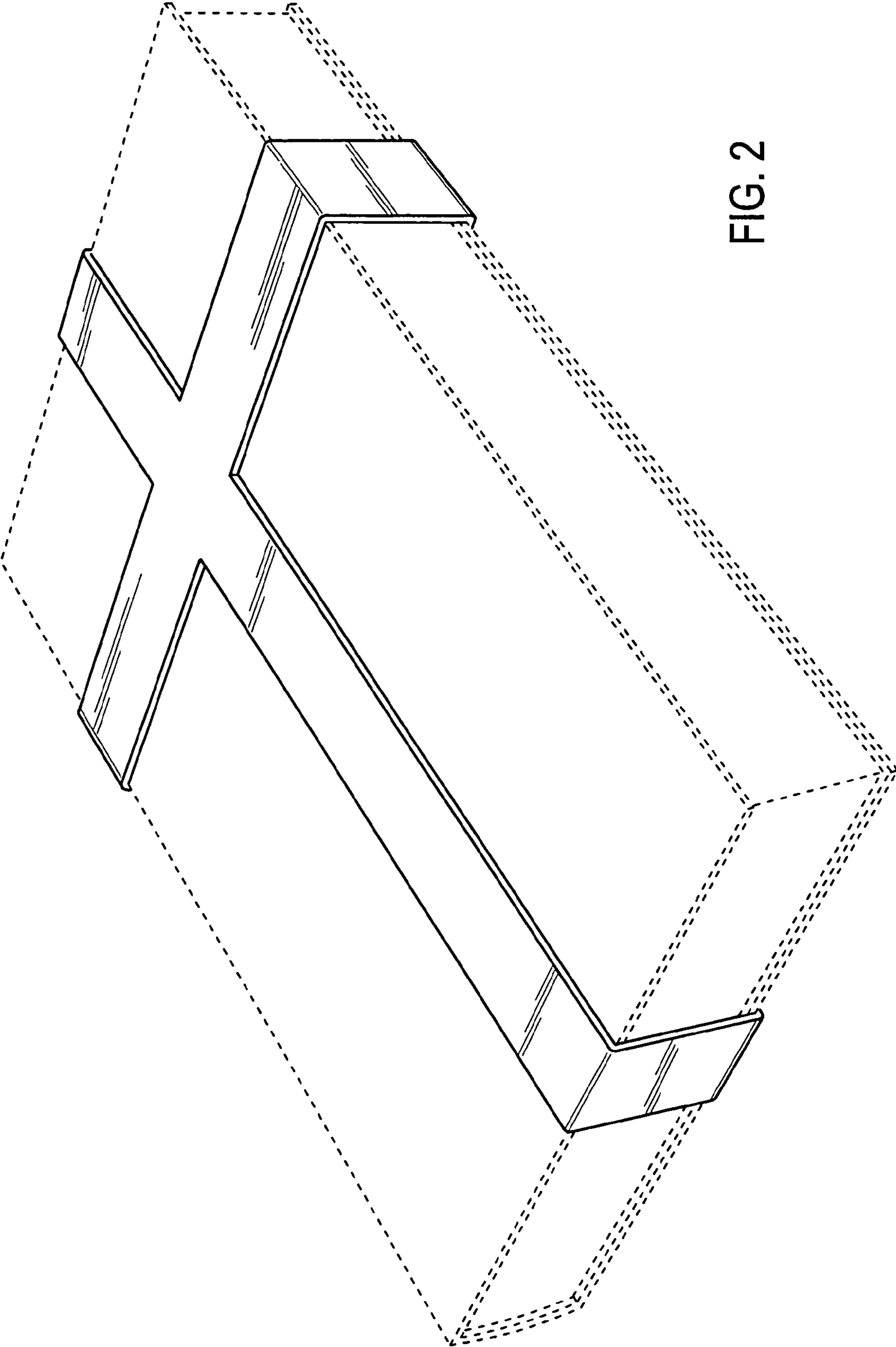


FIG. 2

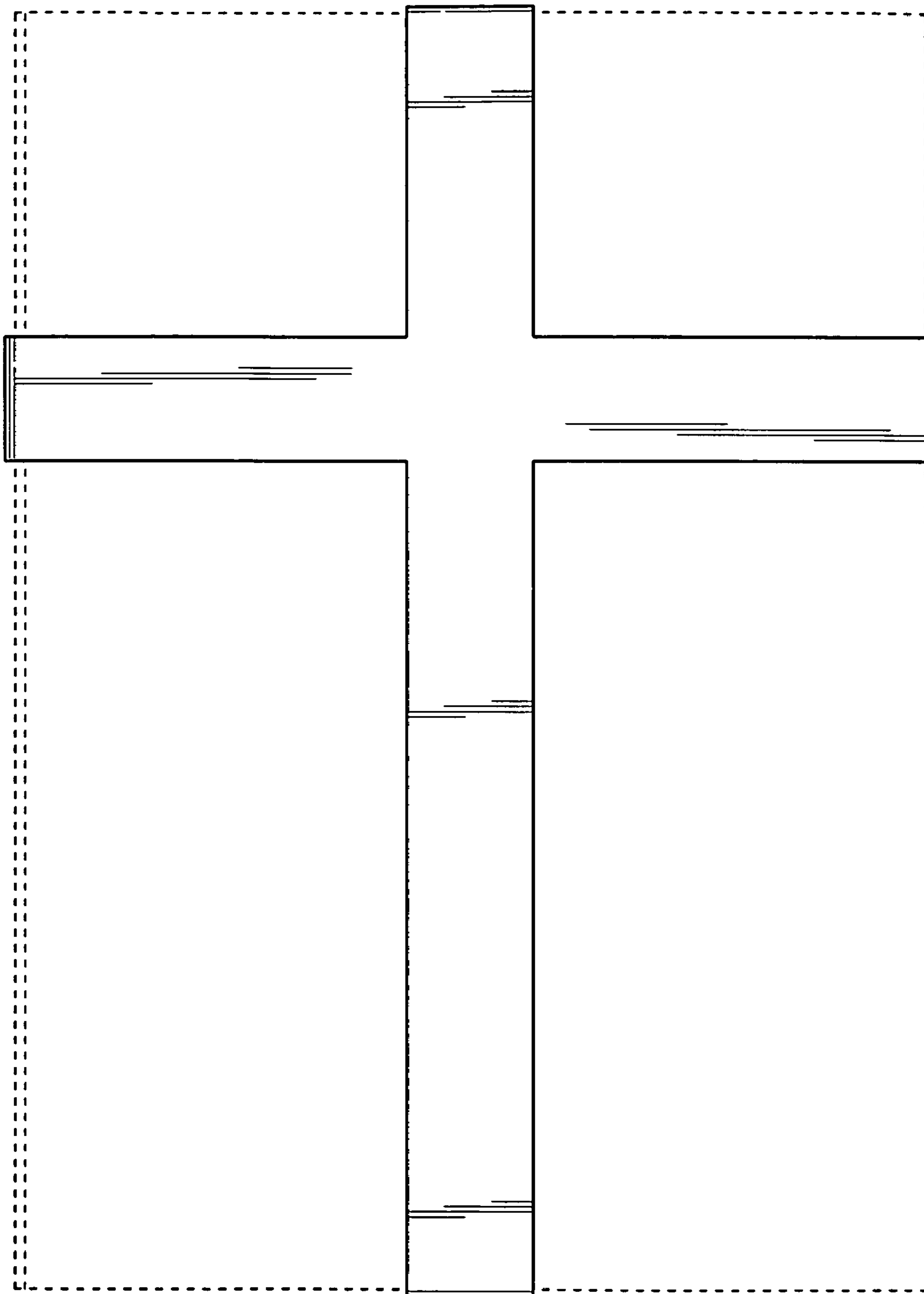


FIG. 3

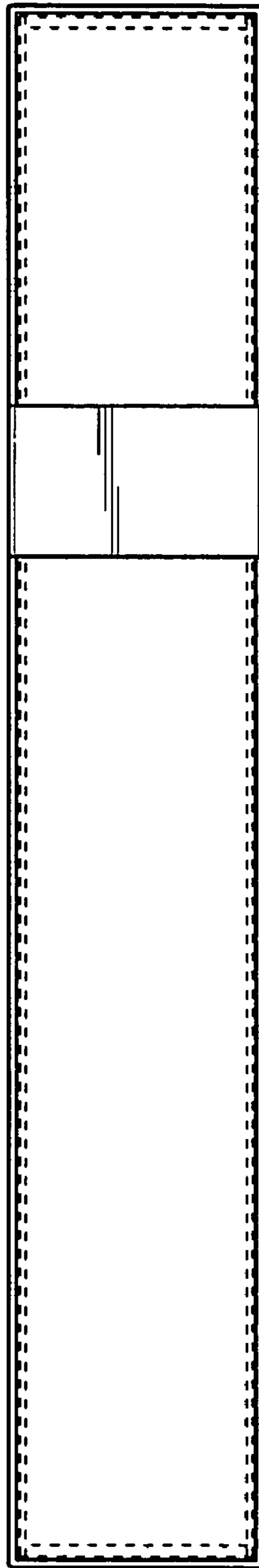


FIG. 4

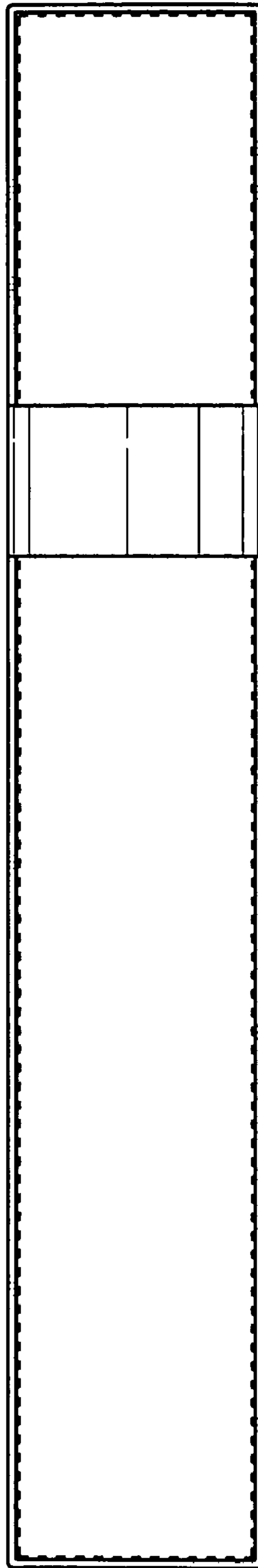


FIG. 5

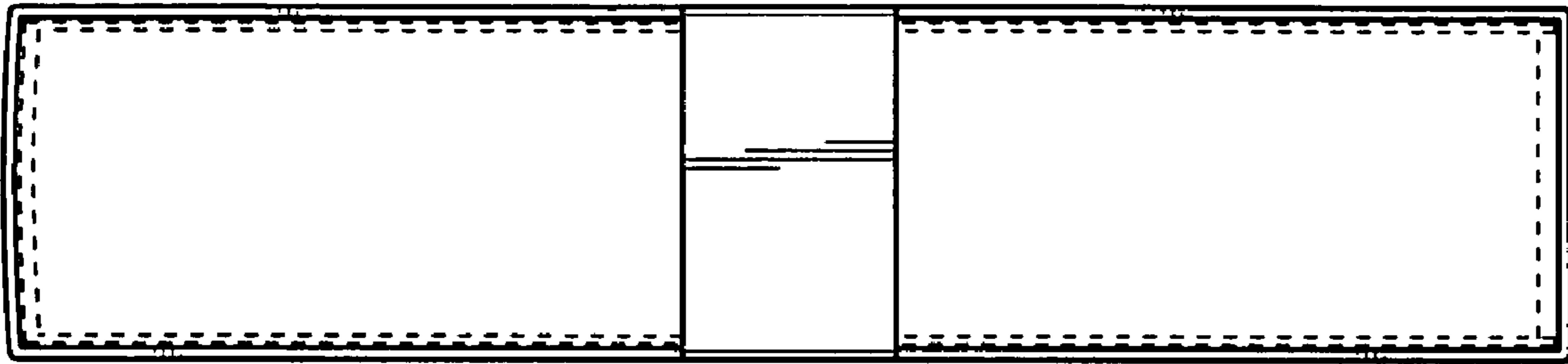


FIG. 6