



US00D645083S

(12) **United States Design Patent**
Stukenkemper

(10) **Patent No.:** **US D645,083 S**

(45) **Date of Patent:** **** Sep. 13, 2011**

(54) **WRITING INSTRUMENT**

(75) Inventor: **Heinrich Stukenkemper**, Castrop Rauxel (DE)

(73) Assignee: **Faber-Castell Aktiengesellschaft**, Stein (DE)

(**) Term: **14 Years**

(21) Appl. No.: **29/379,970**

(22) Filed: **Nov. 29, 2010**

Related U.S. Application Data

(63) Continuation of application No. 29/342,364, filed on Aug. 24, 2009, now Pat. No. Des. 628,241.

(51) **LOC (9) Cl.** **19-06**

(52) **U.S. Cl.** **D19/48**

(58) **Field of Classification Search** D19/35, D19/36, 41-51, 53-57; 24/11 R, 11 F, 11 P; 401/52, 99, 100, 104-109, 192, 195, 196
See application file for complete search history.

(56) **References Cited**

U.S. PATENT DOCUMENTS

D259,792 S *	7/1981	Itoh et al.	D19/51
D313,245 S *	12/1990	Iwase	D19/43
D318,294 S *	7/1991	Cho-Kai	D19/48
D322,516 S *	12/1991	Korper	D4/121
D323,529 S *	1/1992	Rousseau	D19/51
D362,269 S *	9/1995	Hollington	D19/51
D376,817 S *	12/1996	Boix Gacia	D19/51
D391,606 S *	3/1998	Compte	D19/51
D405,826 S *	2/1999	Worther	D19/49
D409,656 S *	5/1999	Melnick	D19/36
D423,049 S *	4/2000	Kohlhase	D19/47
D446,242 S *	8/2001	Stukenkemper	D19/43
D448,407 S *	9/2001	Huang	D19/43
D449,649 S *	10/2001	Takanashi	D19/43
D458,305 S *	6/2002	Iwase et al.	D19/43
D459,393 S *	6/2002	Verhaeghe	D19/43
D467,970 S *	12/2002	Pellissa Beneyto	D19/43
D484,537 S *	12/2003	Arita et al.	D19/43
D516,625 S *	3/2006	Bertheaux	D19/51

D525,303 S *	7/2006	Andrews et al.	D19/51
D547,375 S *	7/2007	Gerules	D19/51
D552,673 S *	10/2007	Rolion et al.	D19/47

(Continued)

Primary Examiner — Elizabeth Albert

(74) *Attorney, Agent, or Firm* — Calfee, Halter & Griswold LLP

(57) **CLAIM**

I claim the ornamental design for a writing instrument, as shown and described.

DESCRIPTION

FIG. 1 is a front/left/top perspective view of the writing instrument, wherein the front/right/top perspective view would be a mirror image thereof;

FIG. 2 is a left side view thereof, wherein the right side view would be a mirror image thereof;

FIG. 3 is a top view thereof;

FIG. 4 is a rear/right/top perspective view thereof, wherein the rear/left/top perspective view would be a mirror image thereof;

FIG. 5 is a rear/right/top perspective view thereof (taken at a different angle than FIG. 4), wherein the rear/left/top perspective view would be a mirror image thereof; and

FIG. 6 is a top/rear perspective view thereof;

FIG. 7 is a top/front perspective view thereof.

FIG. 8 is a front/left/top perspective view thereof, with the cap removed, wherein the front/right/top perspective view would be a mirror image thereof;

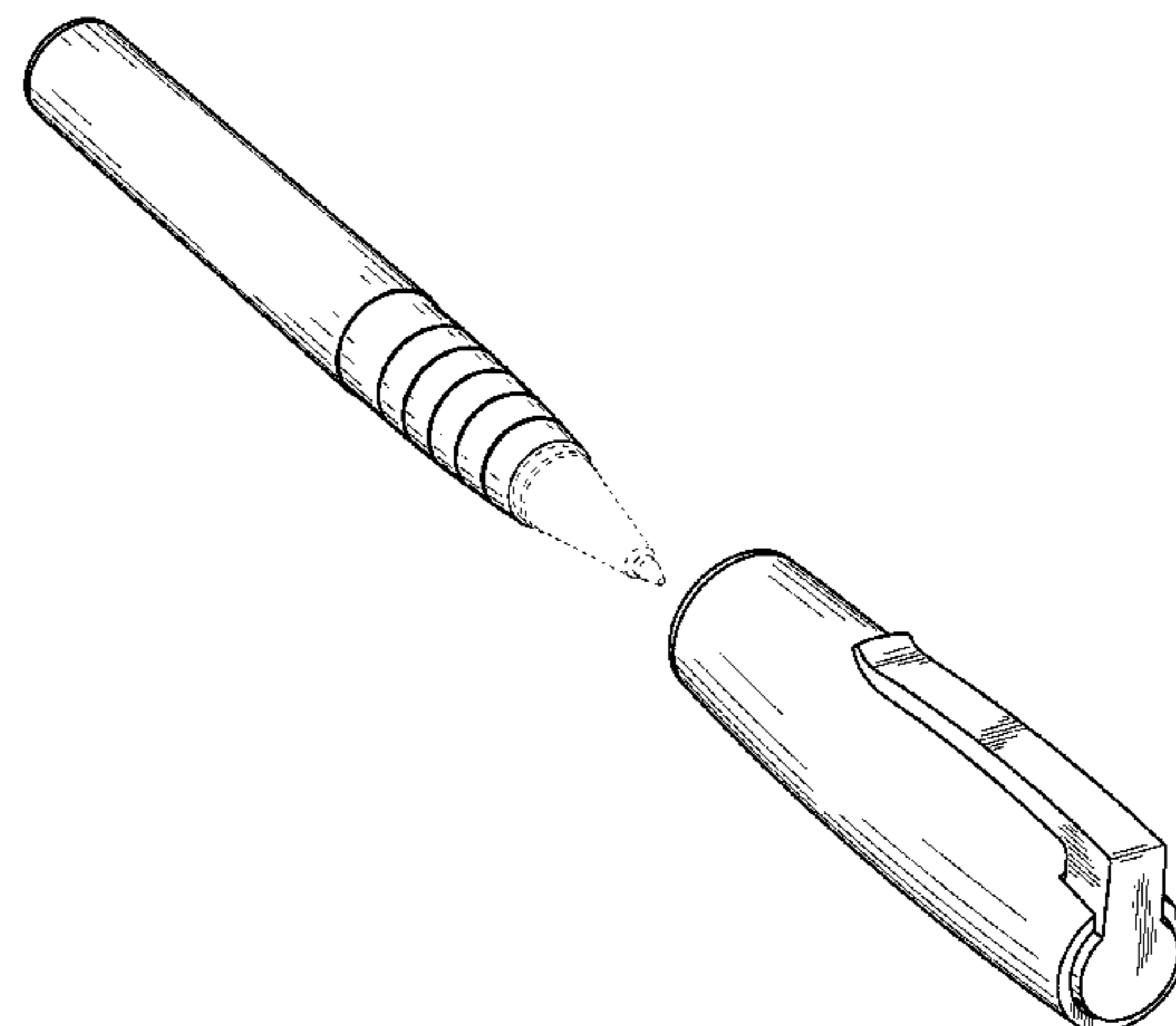
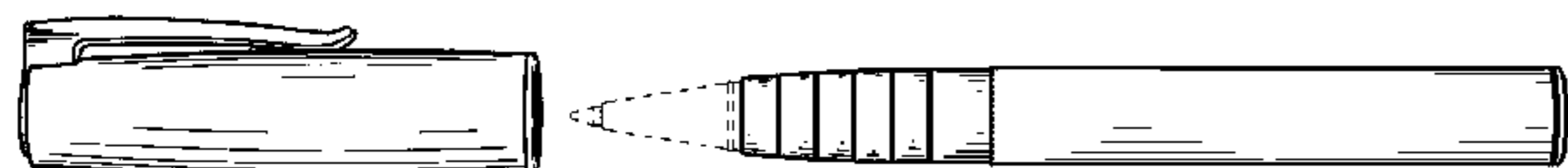
FIG. 9 is a left side view thereof, wherein the right side view would be a mirror image thereof;

FIG. 10 is a top view thereof; and,

FIG. 11 is a rear/right/top perspective view thereof, wherein the rear/left/top perspective view would be a mirror image thereof.

The broken lines showing the inside of the cap and the writing tip housing in FIGS. 8-11 are included for the purpose of illustrating portions of the writing instrument that form no part of the claimed design.

1 Claim, 5 Drawing Sheets



US D645,083 S

Page 2

U.S. PATENT DOCUMENTS

D610,617 S *	2/2010	Zhang	D19/50	D628,629 S *	12/2010	Liu	D19/36
D611,539 S *	3/2010	Zhang	D19/51	D628,636 S *	12/2010	Wang	D19/48
D612,423 S *	3/2010	Suero et al.	D19/41				
D612,424 S *	3/2010	Suero et al.	D19/41				

* cited by examiner

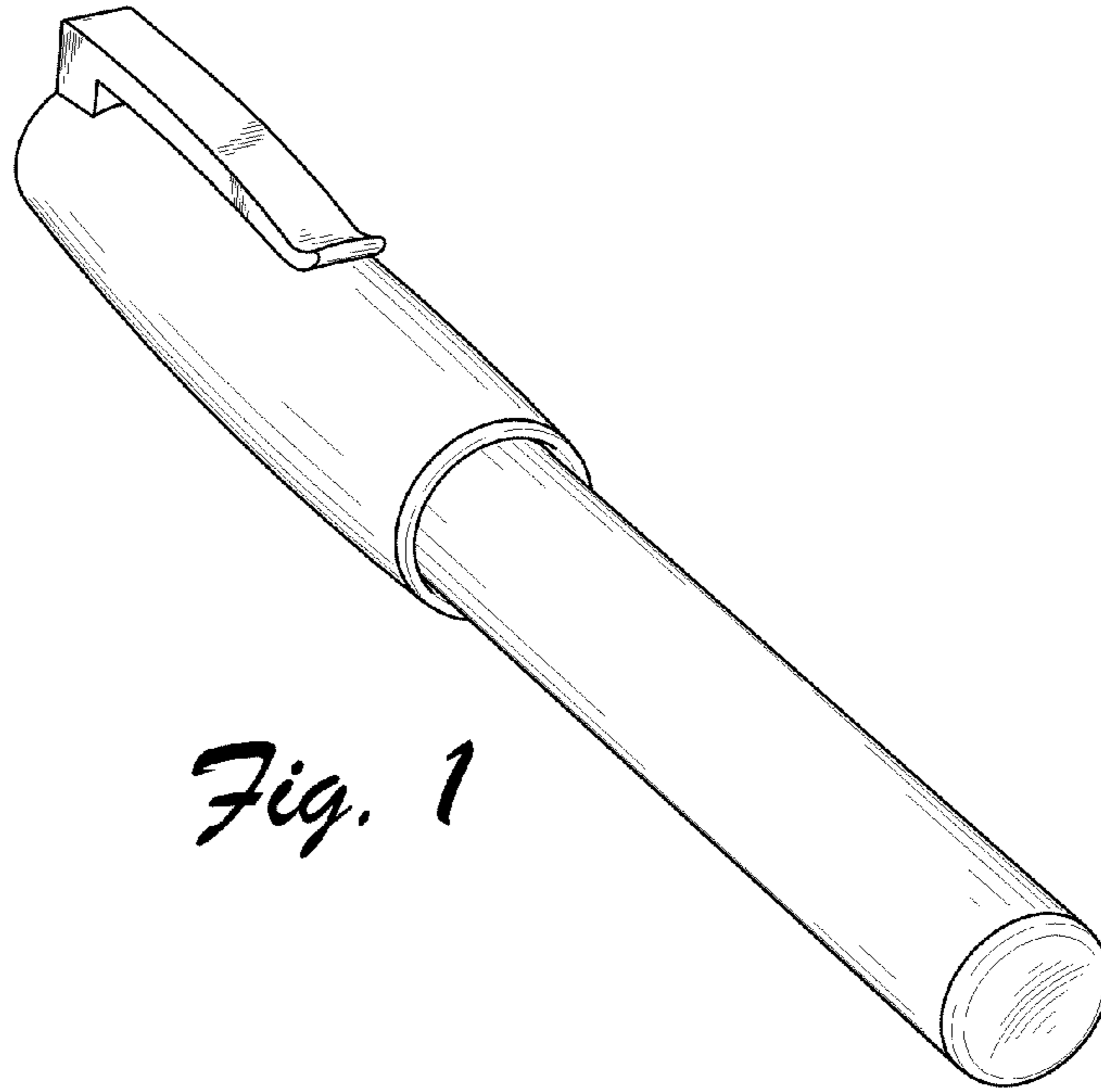


Fig. 1

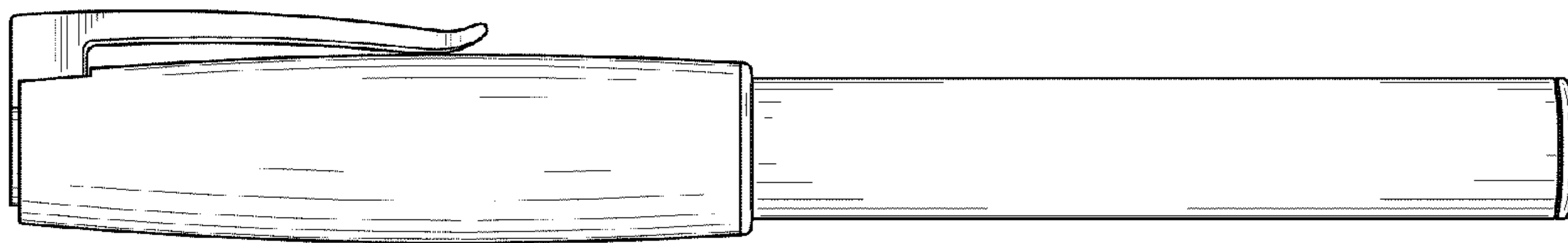


Fig. 2

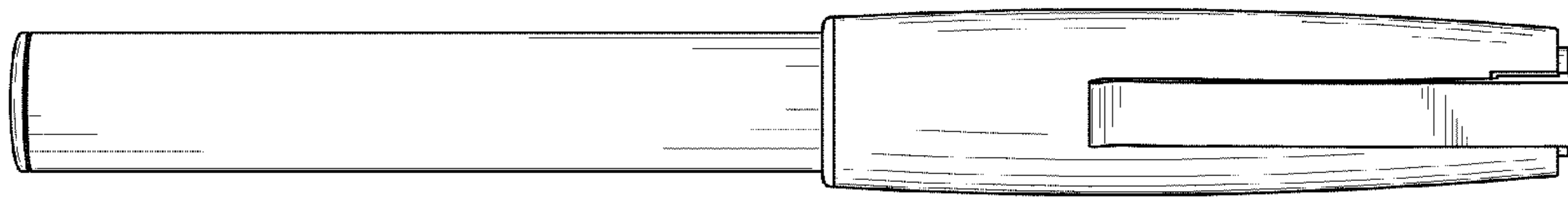


Fig. 3

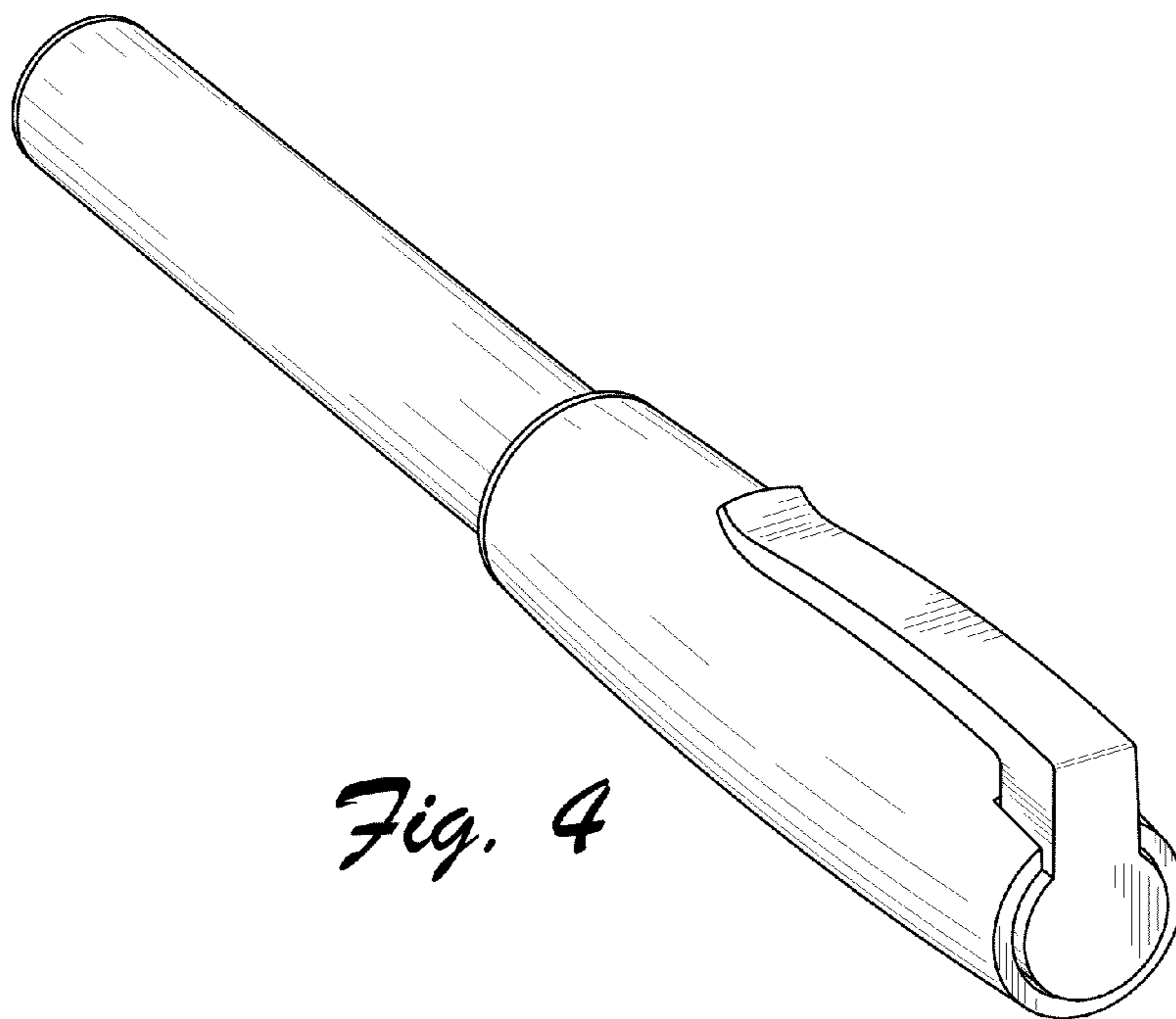


Fig. 4

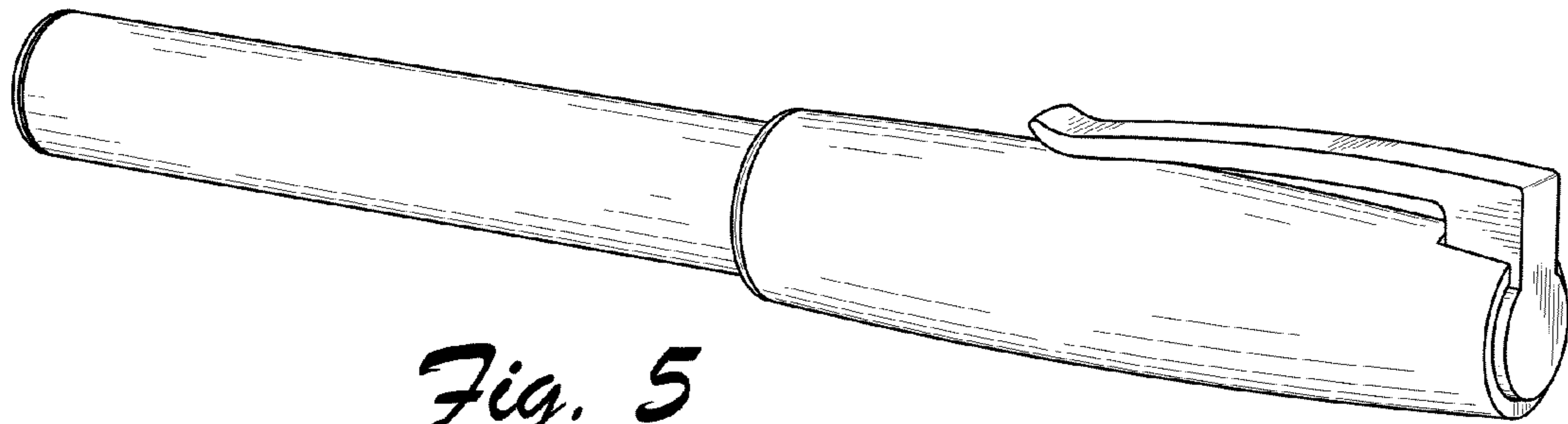


Fig. 5

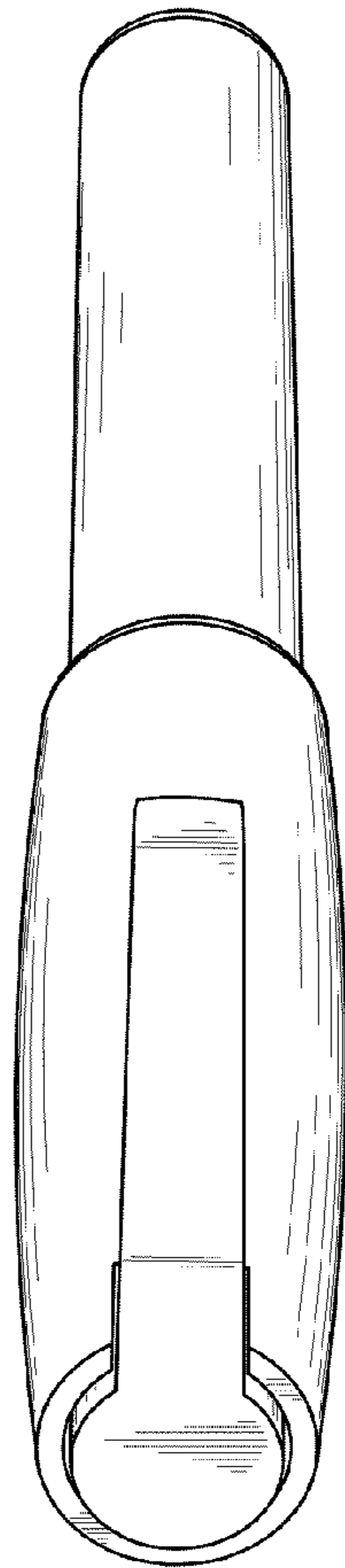


Fig. 6

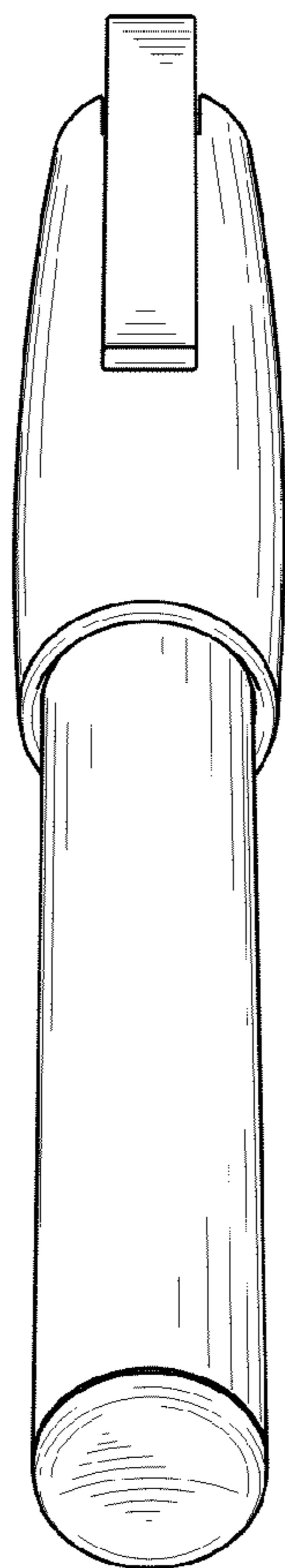


Fig. 7

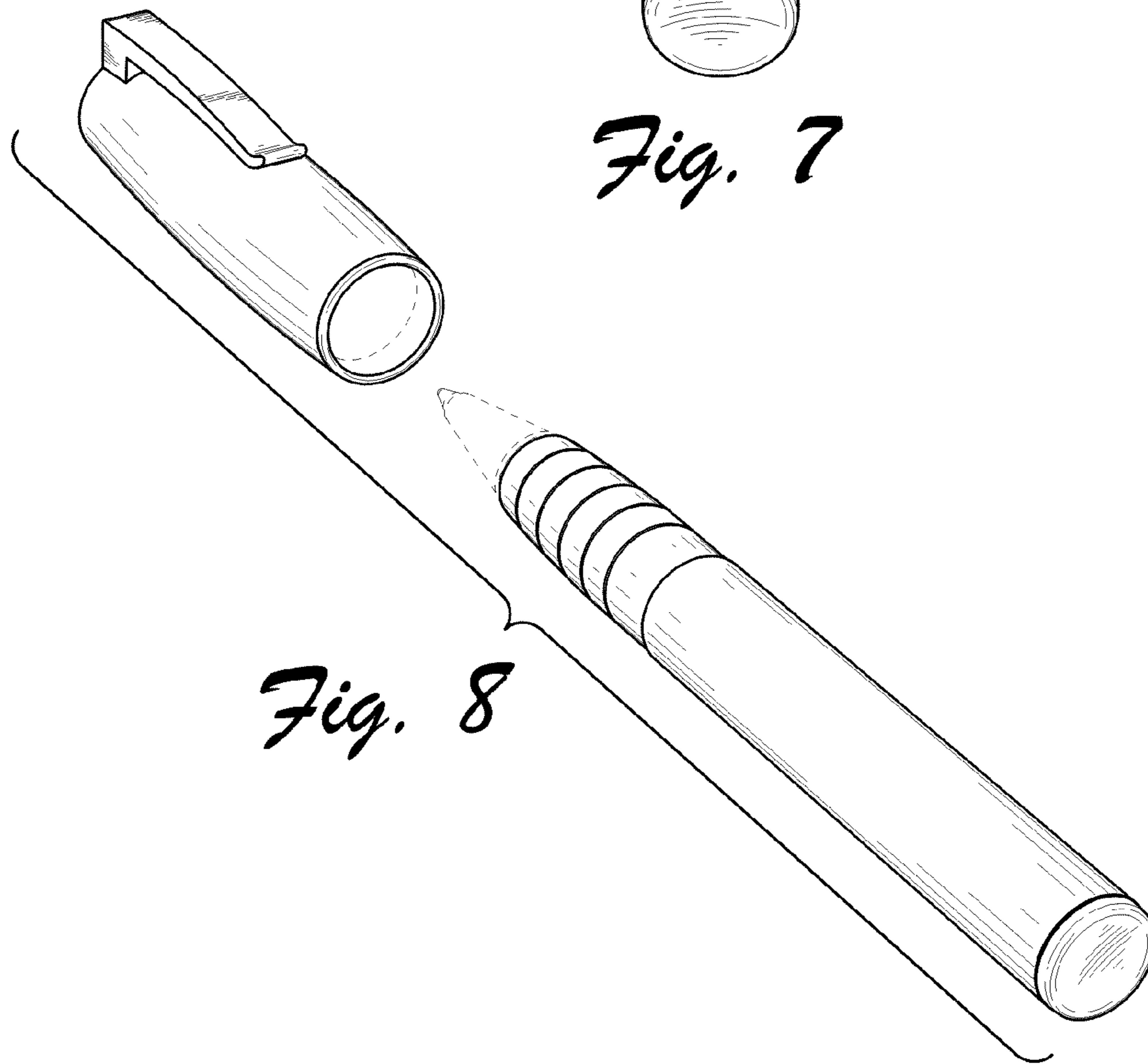


Fig. 8

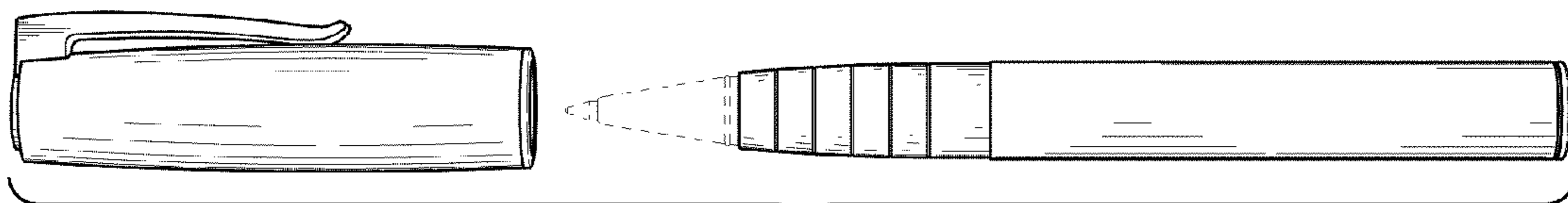


Fig. 9

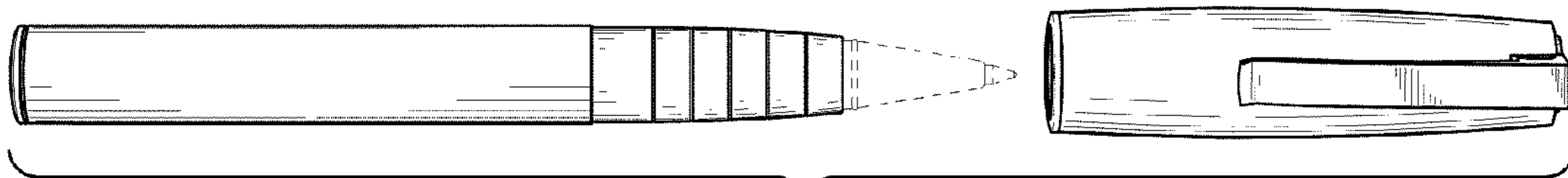


Fig. 10

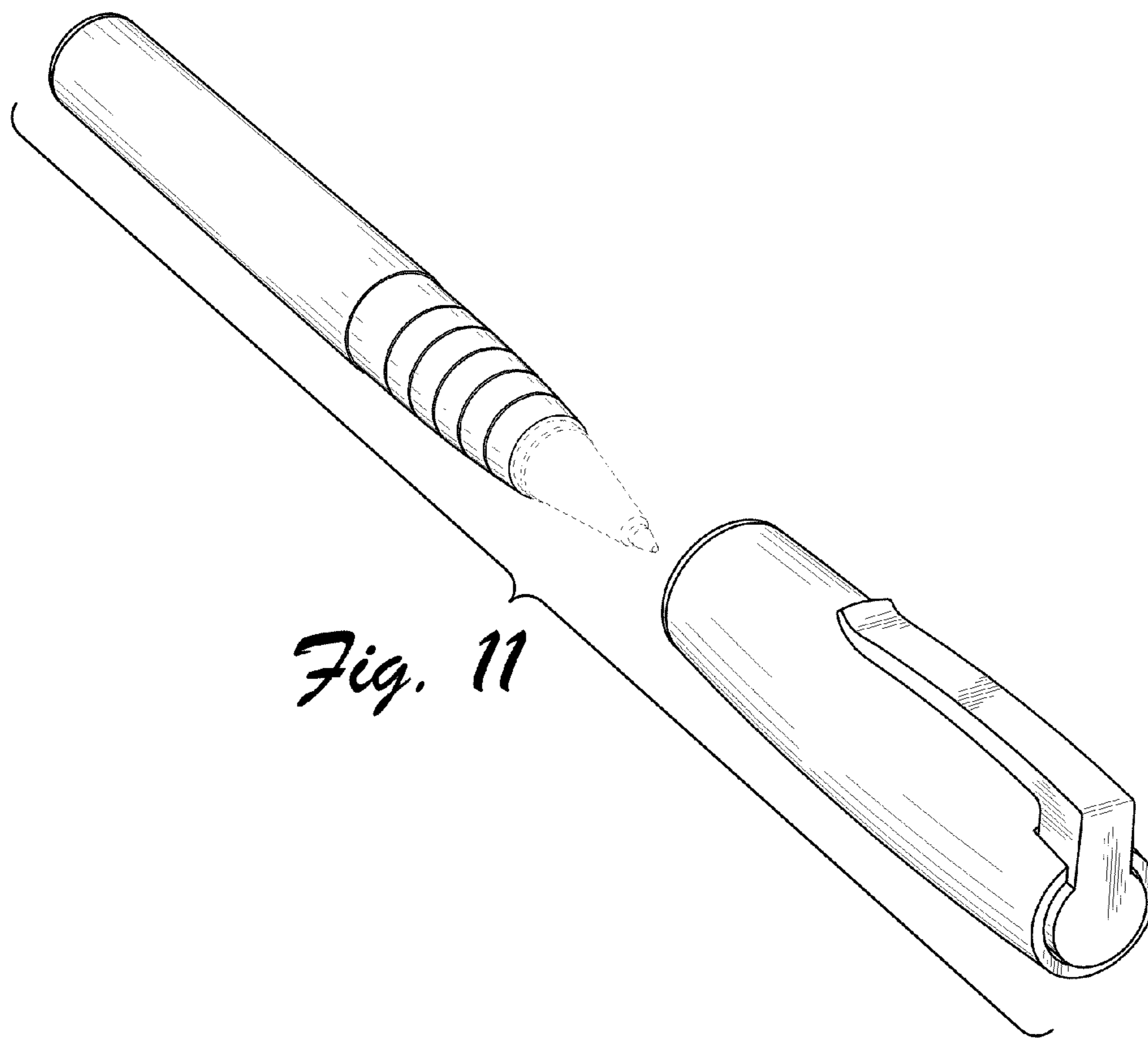


Fig. 11