



US00D645082S

(12) **United States Design Patent**  
**Ponticello**

(10) **Patent No.:** **US D645,082 S**

(45) **Date of Patent:** **\*\* Sep. 13, 2011**

(54) **MARKER**

(76) **Inventor:** **John B. Ponticello**, Las Vegas, NV (US)

(\*\*) **Term:** **14 Years**

(21) **Appl. No.:** **29/365,700**

(22) **Filed:** **Jul. 13, 2010**

(51) **LOC (9) Cl.** ..... **19-06**

(52) **U.S. Cl.** ..... **D19/41; D18/15**

(58) **Field of Classification Search** ..... D14/411,  
D14/431; D18/15; D19/35, 36, 41, 42, 43,  
D19/44, 45, 46, 47, 48, 49, 50, 51, 54, 55,  
D19/56, 57; D24/114; D26/37, 49; D28/7;  
24/11 F, 11 P, 11 R; 401/7, 8, 34, 52, 99,  
401/100, 104, 105, 106, 107, 108, 109, 131,  
401/186, 192, 195, 196, 198, 206

See application file for complete search history.

(56) **References Cited**

**U.S. PATENT DOCUMENTS**

859,606	A *	7/1907	Klove	401/198
1,297,784	A *	3/1919	Birnbaum	15/227
D57,588	S *	4/1921	Crawford	D9/504
1,524,202	A *	1/1925	Nottingham	401/52
D163,535	S *	6/1951	Monturo	D27/142
2,728,932	A *	1/1956	Ramsey, Sr.	15/104.94
2,924,219	A *	2/1960	Wershaw	604/47
2,983,276	A *	5/1961	Brown	401/7
3,010,140	A *	11/1961	Thomas	401/262
3,393,963	A *	7/1968	Nadai	401/207
3,436,163	A *	4/1969	Lillian et al.	401/195
4,084,286	A *	4/1978	Post	15/104.93
D268,598	S *	4/1983	Mizutani et al.	D19/43
4,474,195	A *	10/1984	Warner	132/73
5,120,148	A *	6/1992	Waters et al.	401/264
D403,737	S *	1/1999	Howe et al.	D22/139
D406,054	S *	2/1999	Wagner	D9/725

D410,673	S *	6/1999	Martin et al.	D18/15
D415,300	S *	10/1999	McCalla et al.	D26/49
D422,748	S *	4/2000	Lang	D28/7
D429,845	S *	8/2000	Lang	D28/7
D443,641	S *	6/2001	Mader	D19/36
7,168,105	B2 *	1/2007	Adelman	401/95
D620,973	S *	8/2010	Fukasawa	D18/15
2006/0198692	A1 *	9/2006	Petit	401/266
2008/0044217	A1 *	2/2008	Russell	401/7

\* cited by examiner

*Primary Examiner* — Karen E Eldridge Powers

(74) *Attorney, Agent, or Firm* — QuickPatents, Inc.; Kevin Prince

(57) **CLAIM**

What is claimed is the ornamental design for a marker, as shown and described.

**DESCRIPTION**

FIG. 1 is an exploded perspective view of a marker, showing the new design;

FIG. 2 is an exploded front elevational view thereof, the rear elevational view being a mirror image thereof;

FIG. 3 is a cross-sectional view of a foam insert of the design, taken generally along lines 3-3 of FIG. 8;

FIG. 4 is a top plan view of a cap of the design;

FIG. 5 is a bottom plan view of the cap of the design;

FIG. 6 is a top plan view of a marking portion of the design;

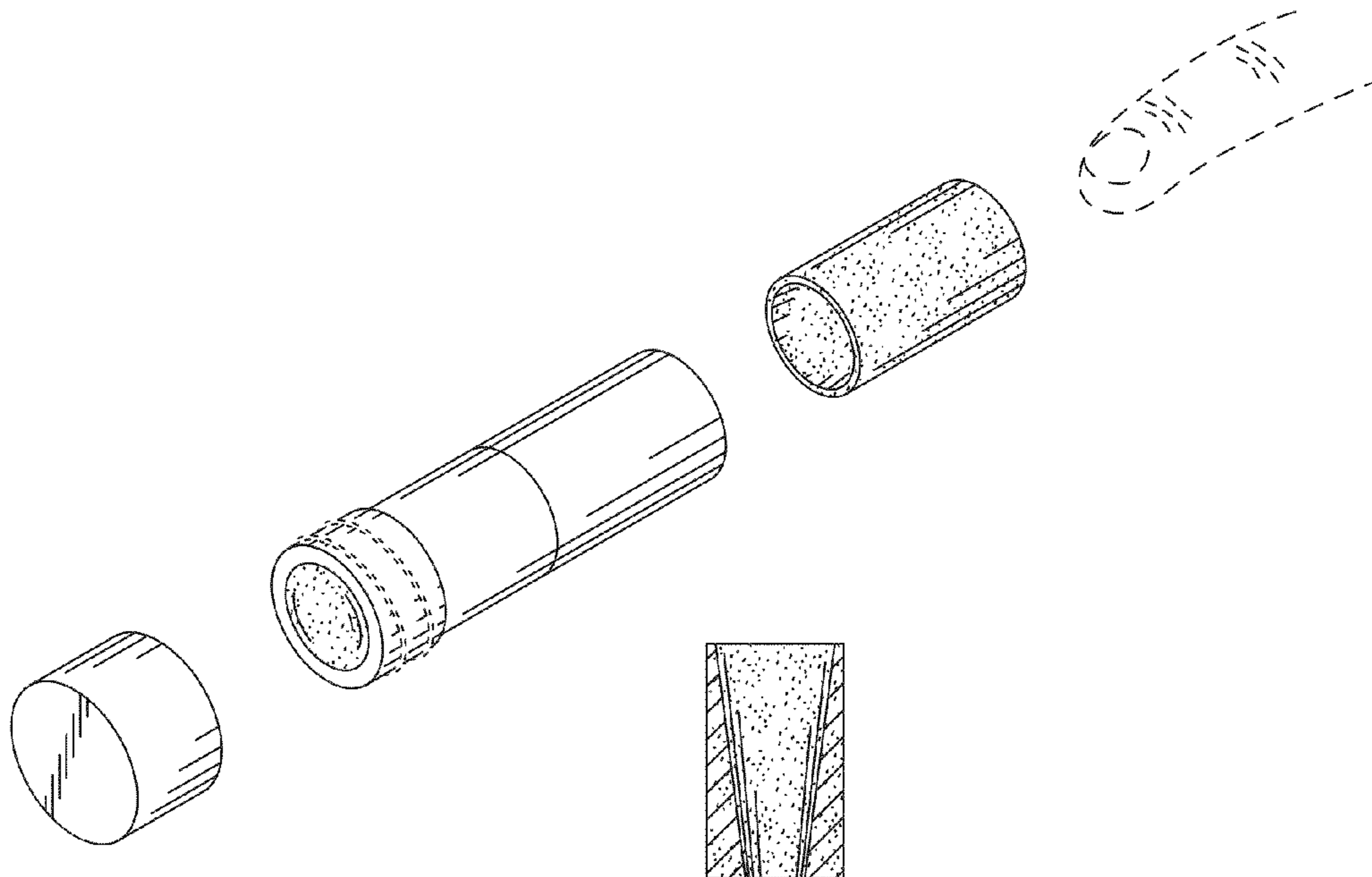
FIG. 7 is a bottom plan view of the marking portion and the foam insert of the design; and,

FIG. 8 is a top plan view of the foam insert of the design.

The stippling in the drawings represents texture.

The broken lines showing a finger in FIG. 1 and threads in FIGS. 1 and 2 depict environmental matter, and form no part of the claimed design.

**1 Claim, 1 Drawing Sheet**



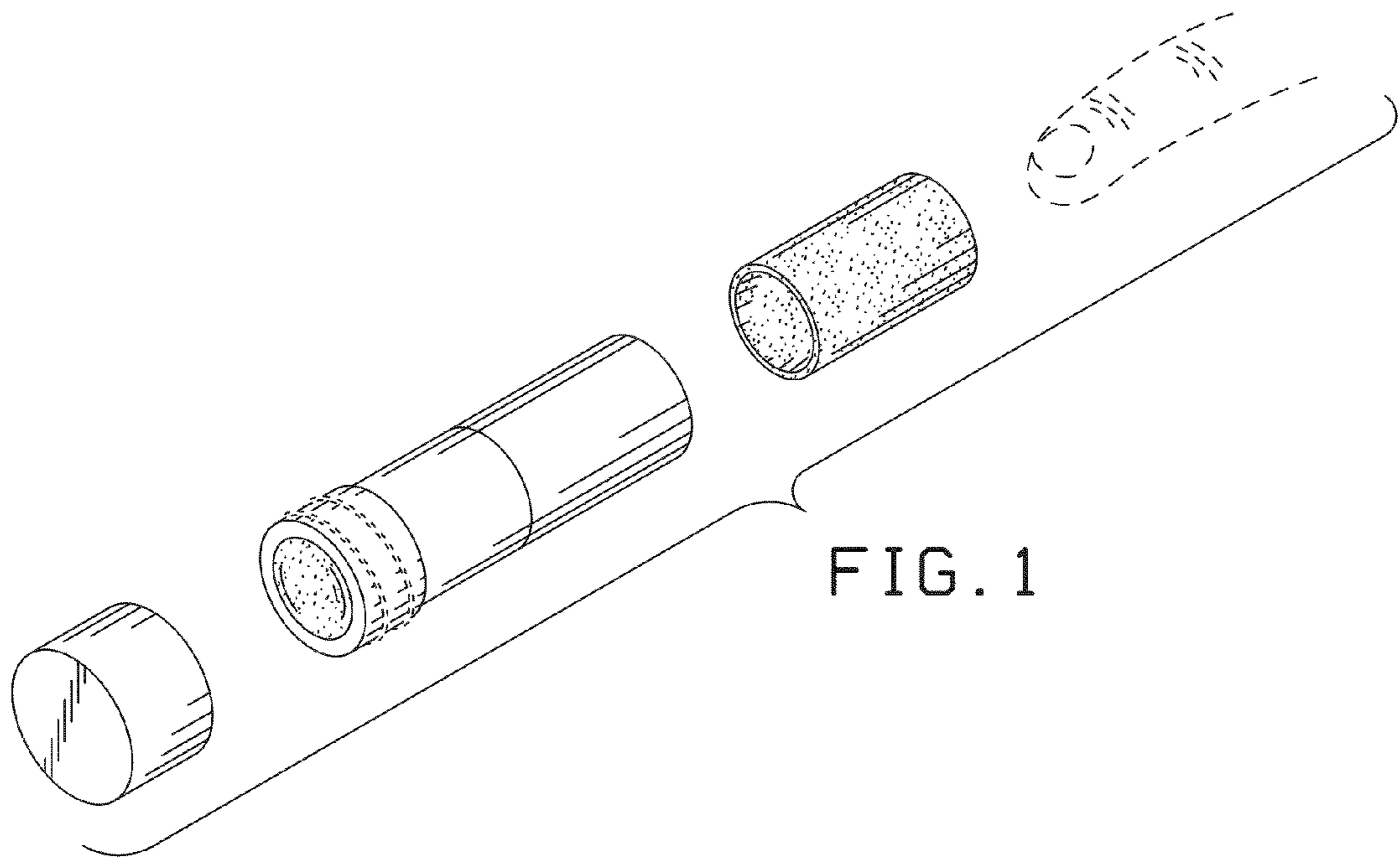


FIG. 1

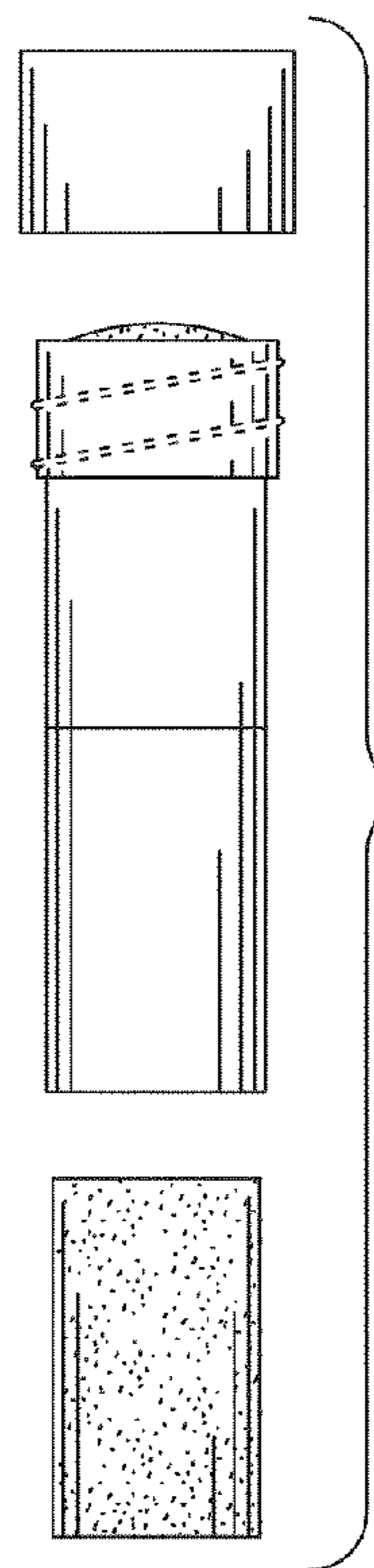


FIG. 2

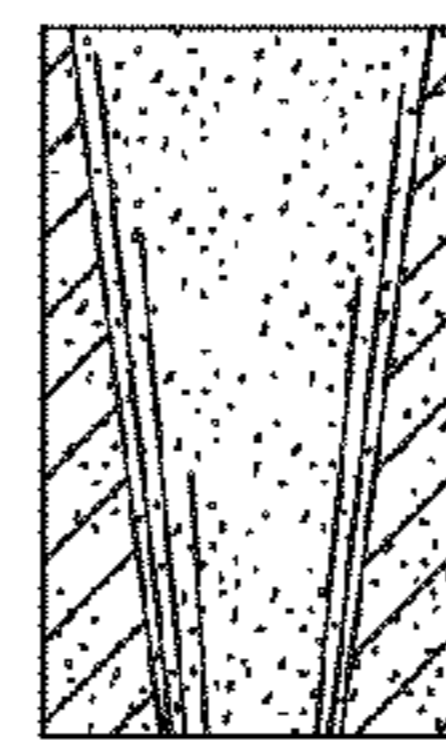


FIG. 3

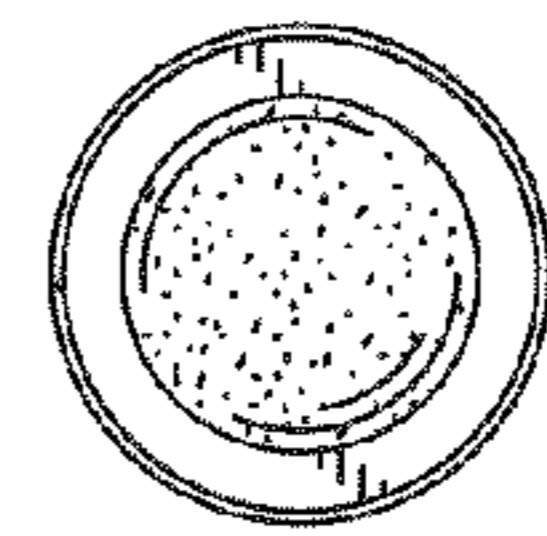


FIG. 6

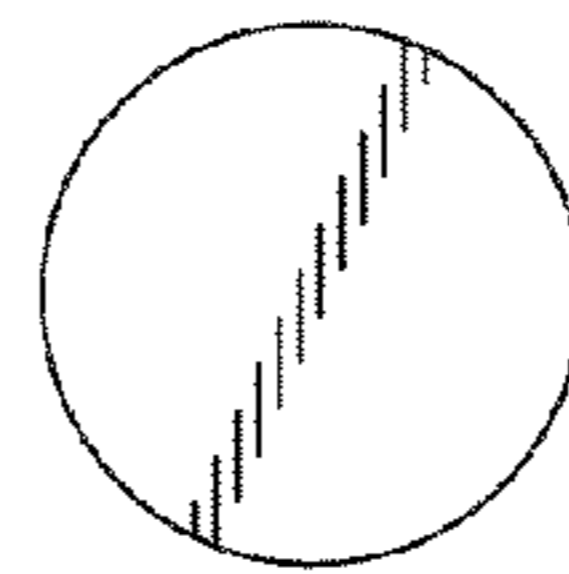


FIG. 4

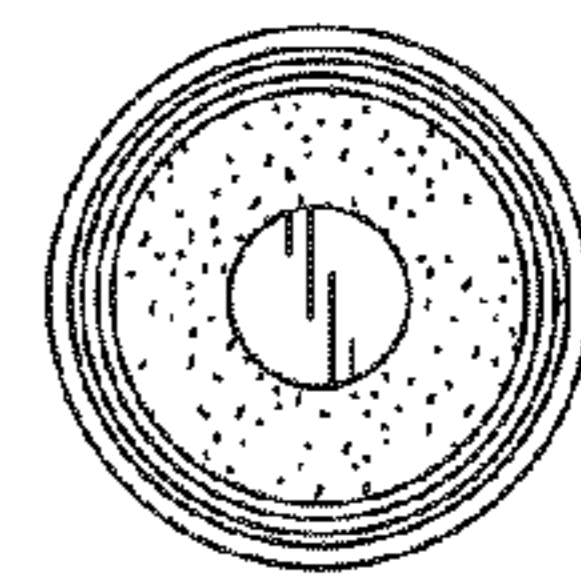


FIG. 7

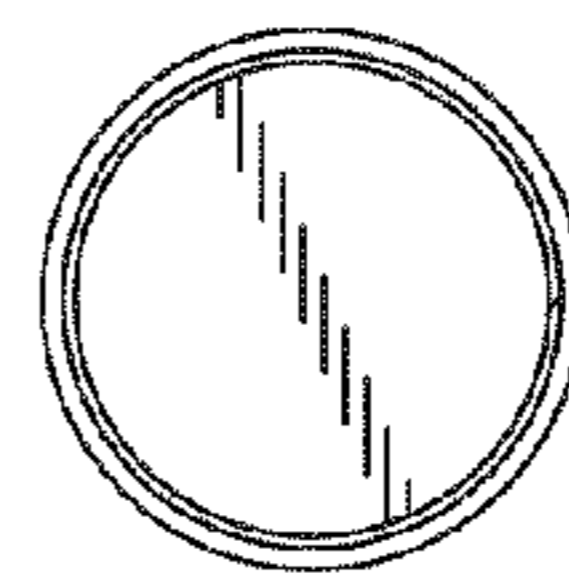


FIG. 5

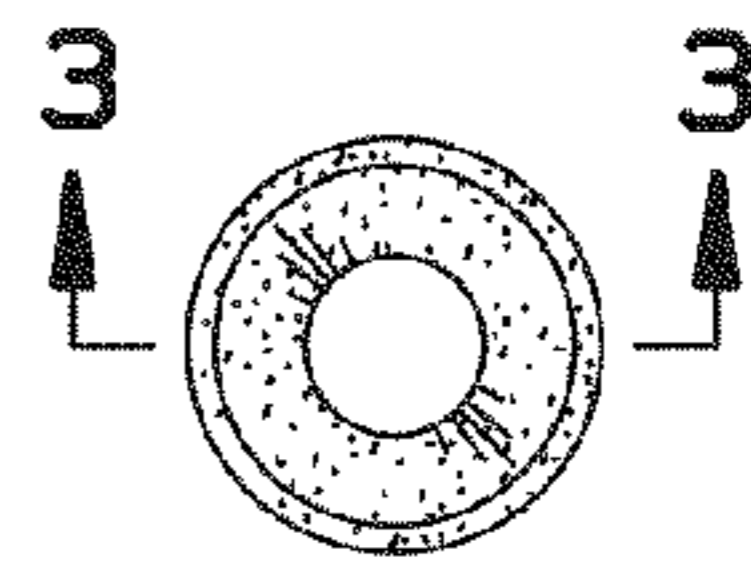


FIG. 8