



US00D645081S

(12) **United States Design Patent**
Cohen

(10) **Patent No.:** **US D645,081 S**

(45) **Date of Patent:** **** Sep. 13, 2011**

(54) **KNOCK-DOWN RACK FOR SOFT COVER PUBLICATIONS**

(76) Inventor: **Jay Cohen**, Malvern, PA (US)

(**) Term: **14 Years**

(21) Appl. No.: **29/337,772**

(22) Filed: **May 29, 2009**

(51) **LOC (9) Cl.** **06-06**

(52) **U.S. Cl.** **D19/34**

(58) **Field of Classification Search** D19/26-34.5,
D19/90, 91; D6/449, 466, 475, 512, 553;
211/42, 50, 132, 149; 248/293, 447; 220/23.4;
312/108, 111

See application file for complete search history.

(56) **References Cited**

U.S. PATENT DOCUMENTS

3,592,344	A *	7/1971	Schade	211/42
D225,500	S *	12/1972	Lewis	D19/34.1
D241,295	S *	9/1976	Entin	D6/431
D289,774	S *	5/1987	Van Pelt Meekins	D19/34.1
D335,996	S *	6/1993	Evenson	D6/553
6,378,707	B1	4/2002	Taggart		
6,578,717	B2 *	6/2003	Pickett	211/42
D483,204	S *	12/2003	Chang	D6/475
D496,965	S *	10/2004	Henry	D19/90

D551,294 S * 9/2007 Goudy D19/34.1
* cited by examiner

Primary Examiner — Holly Baynham
Assistant Examiner — Michelle E Wilson

(74) *Attorney, Agent, or Firm* — Dann, Dorfman, Herrell and Skillman; Henry H. Skillman

(57) **CLAIM**

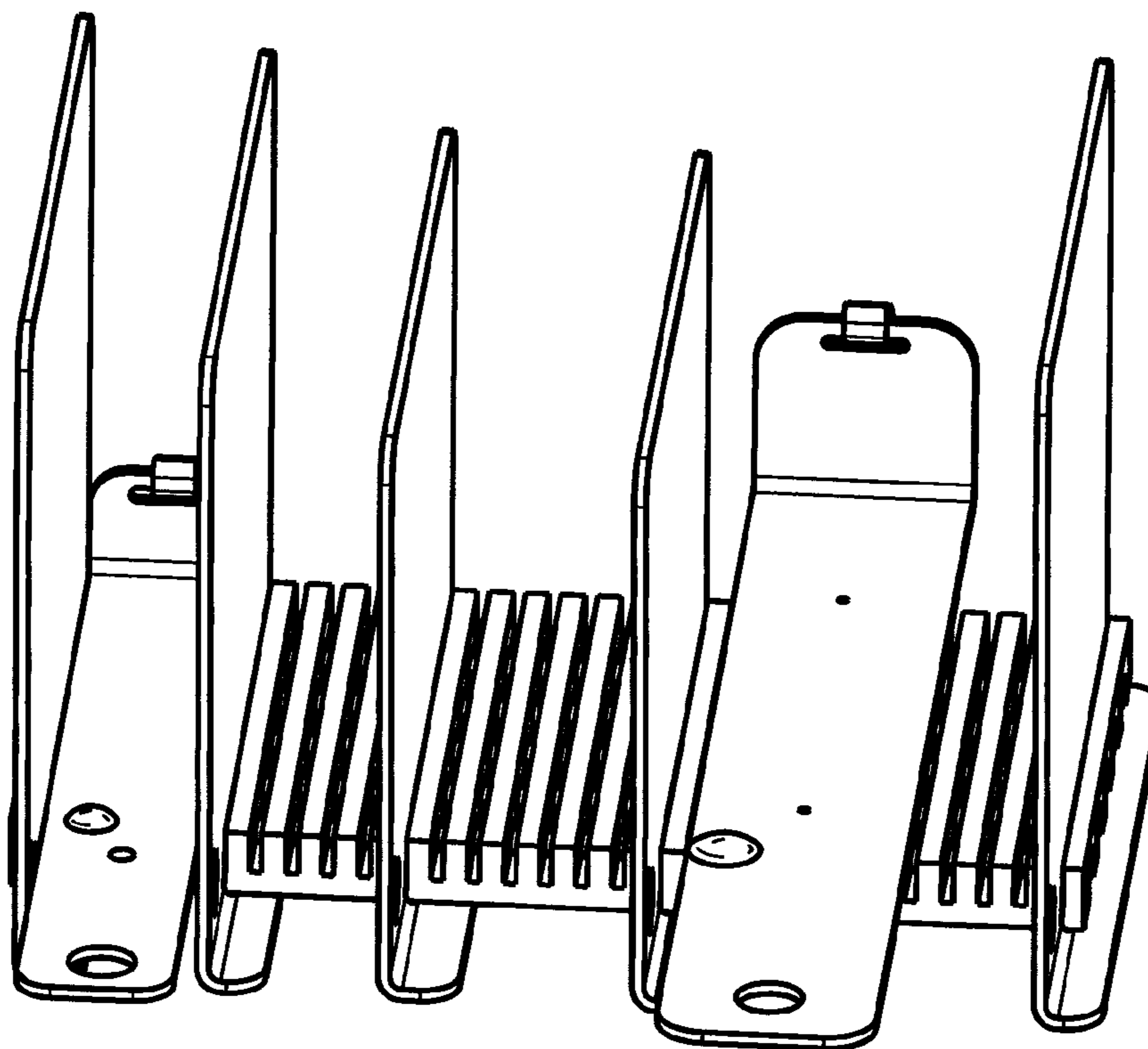
I claim the ornamental design for a knock-down rack for soft cover publications, as illustrated and described.

DESCRIPTION

FIG. 1 is a perspective view of a knock-down rack for soft cover publications showing my new design; FIG. 2 is a perspective of the knock-down rack of FIG. 1 with a broken line showing of publications supported in the rack; FIG. 3 is a view of the rack shown in FIG. 2 in use for removing a selected publication; FIG. 4 is a front view of the rack shown in FIG. 1; FIG. 5 is a rear view of the rack shown in FIG. 1; FIG. 6 is a right side view of the rack shown in FIG. 1; FIG. 7 is a left side view of the rack shown in FIG. 1; FIG. 8 is a top plan view of the rack shown in FIG. 1; and, FIG. 9 is an exploded perspective view of the components of the rack in shown in FIG. 1.

The broken line showing of knock-down rack for soft cover publications is included for the purpose of illustrating environmental structure and forms no part of the claimed design.

1 Claim, 9 Drawing Sheets



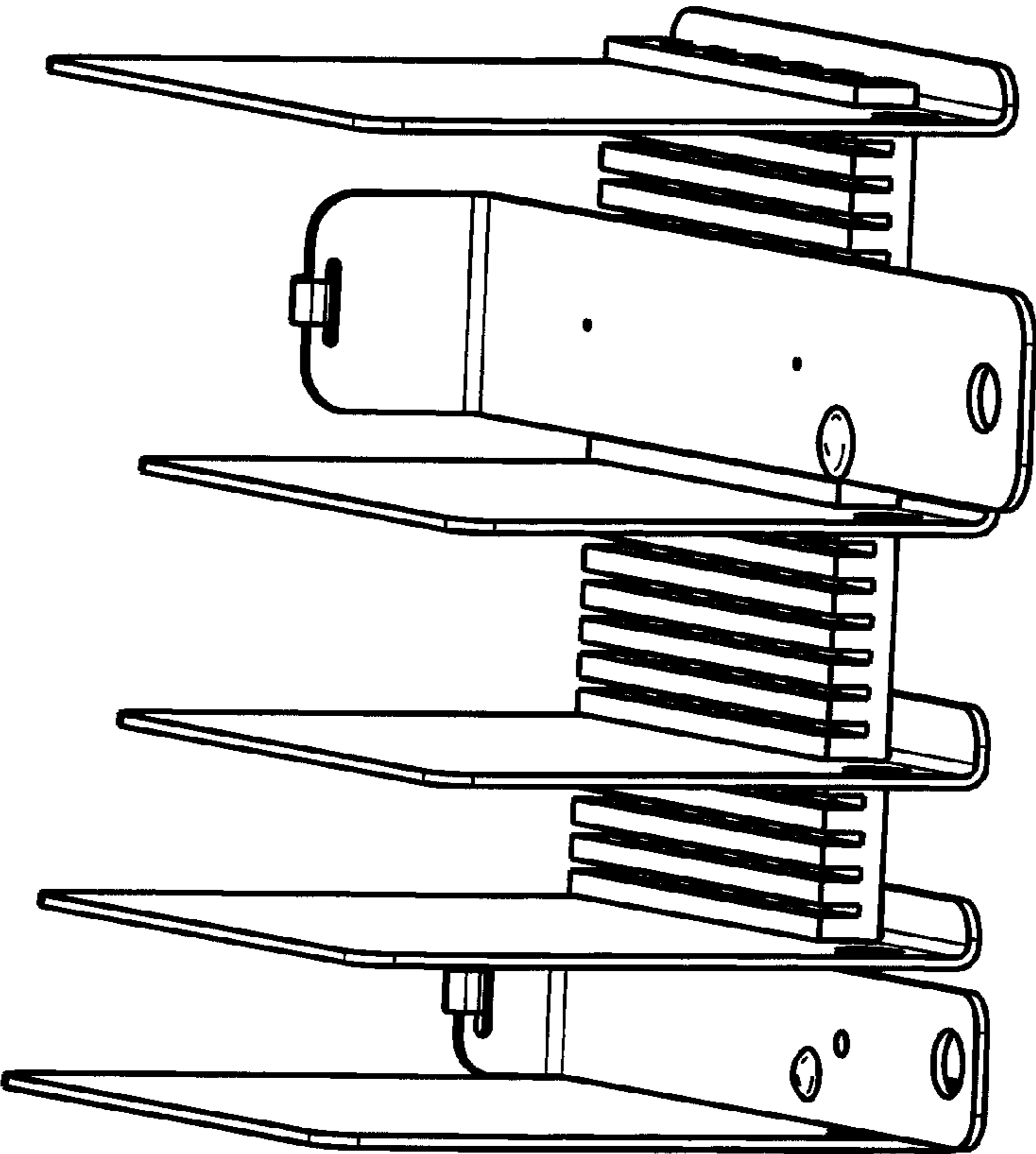


FIG. 1

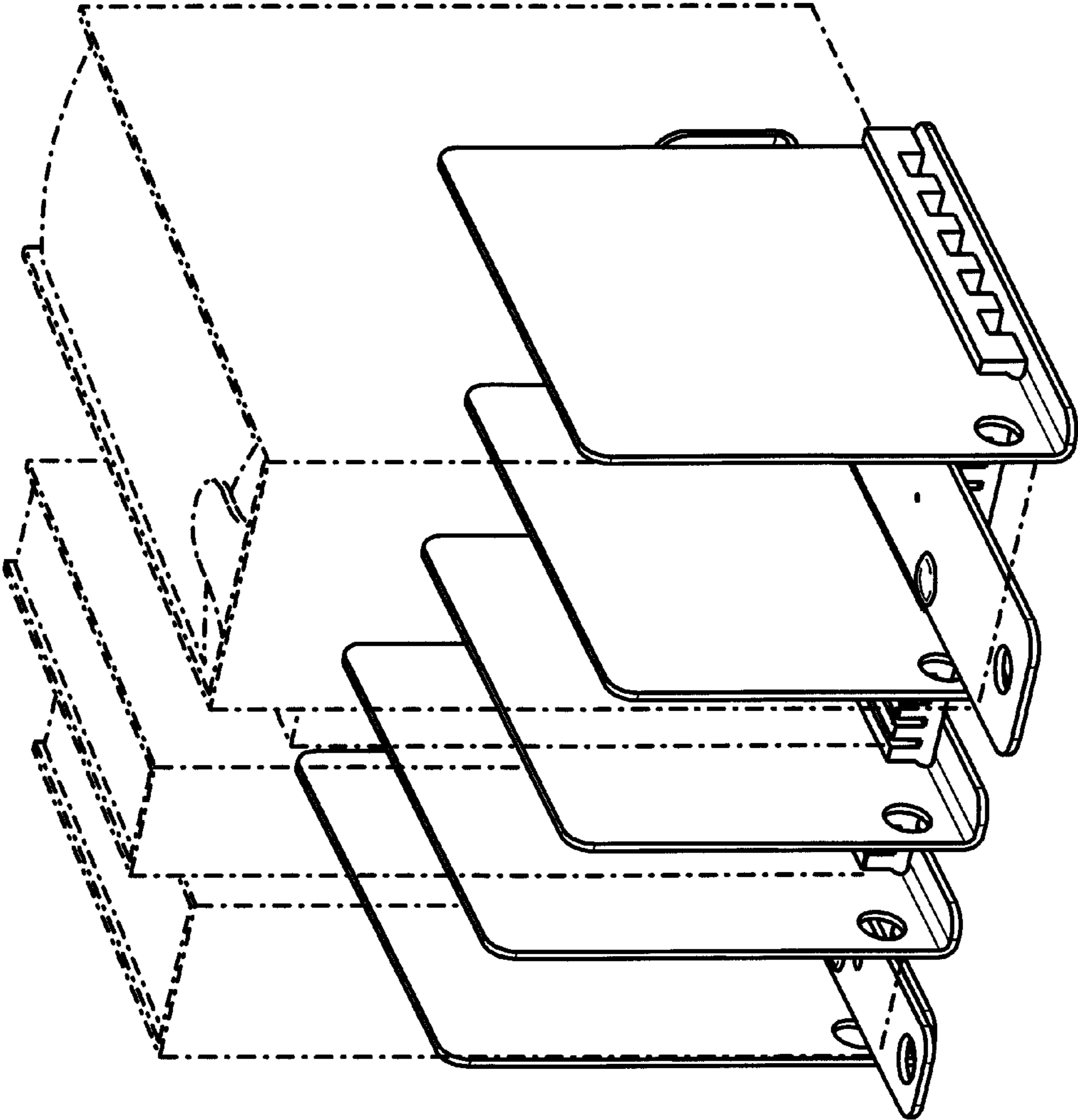


FIG. 2

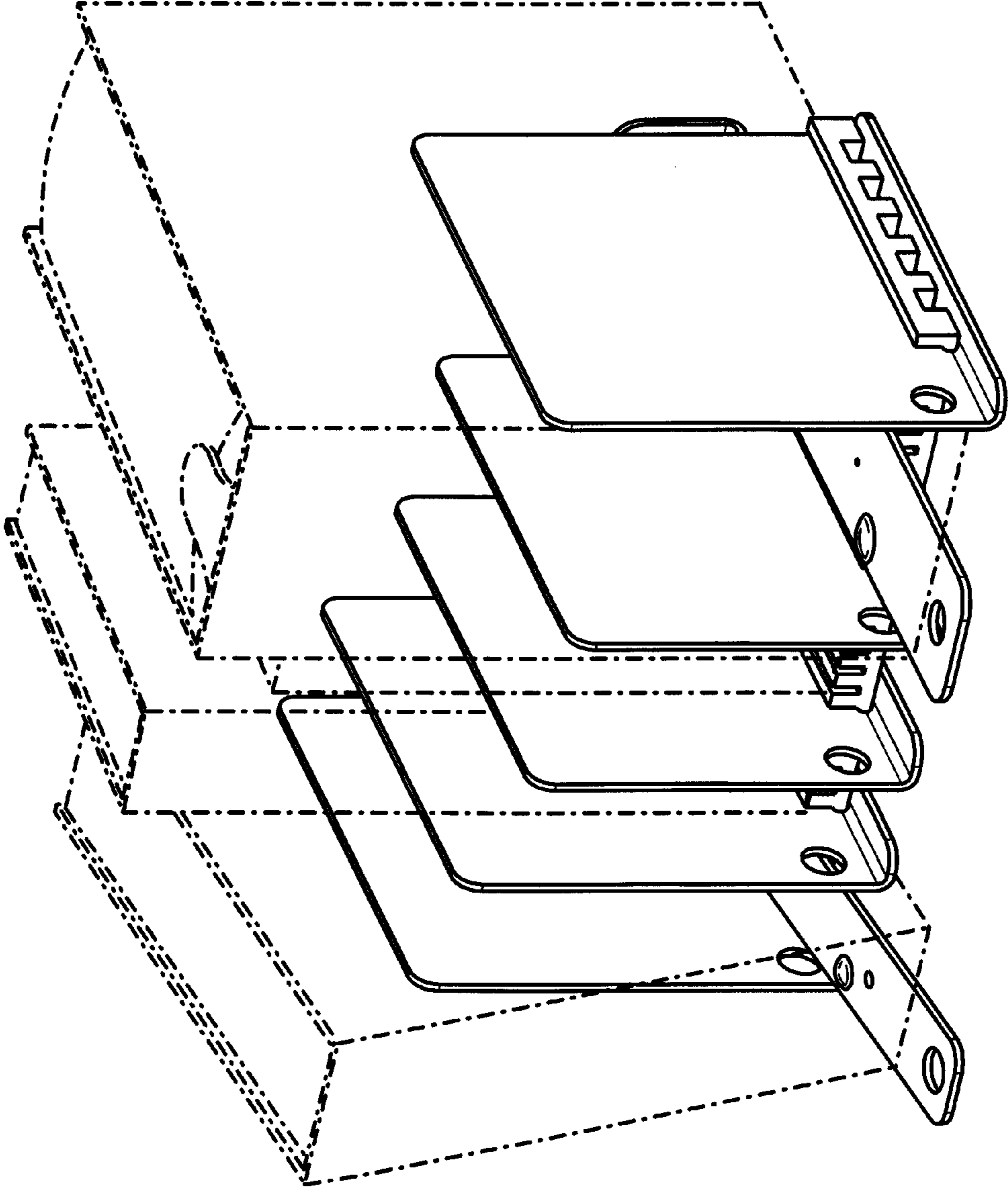


FIG. 3

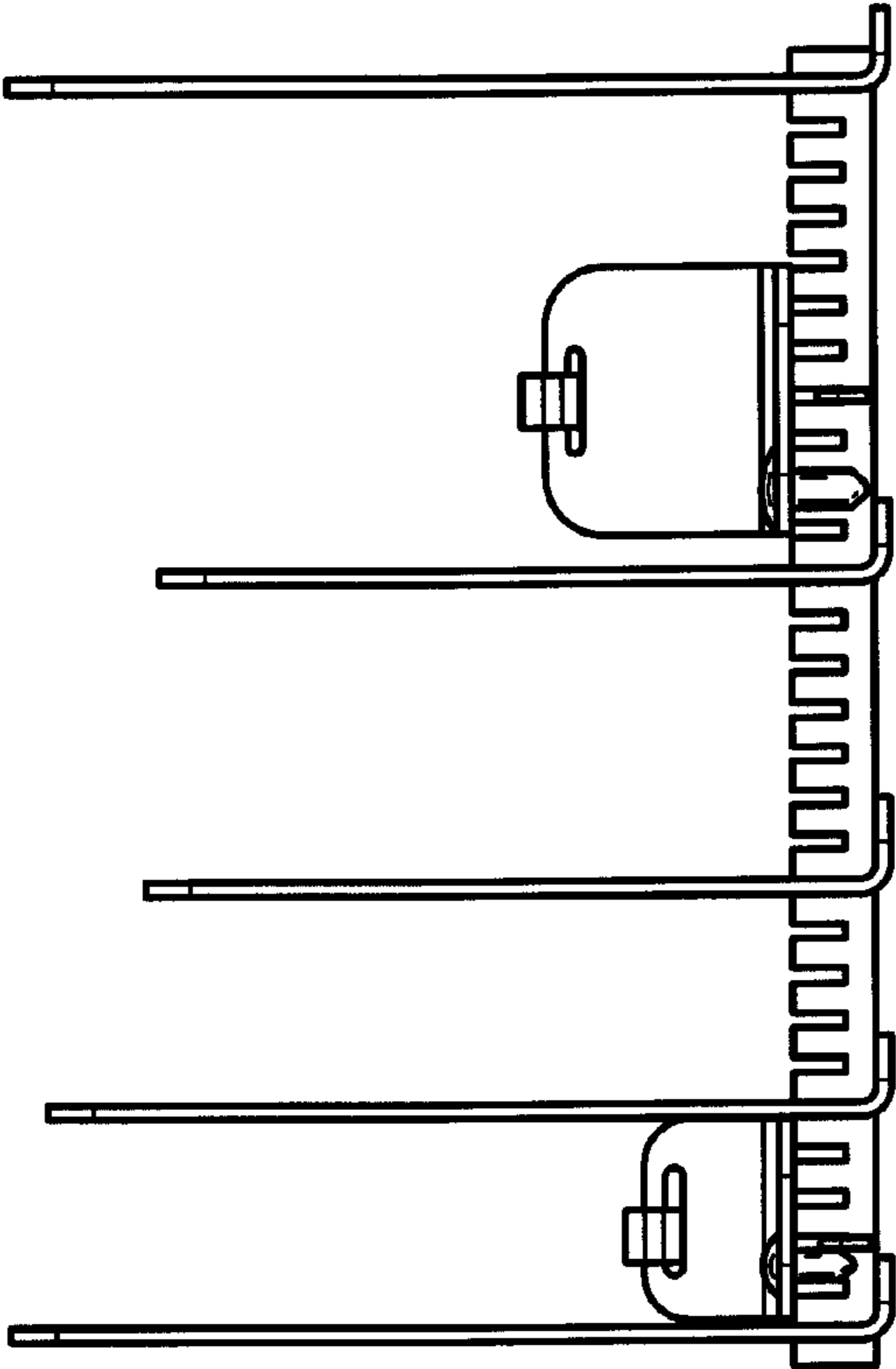


FIG. 4

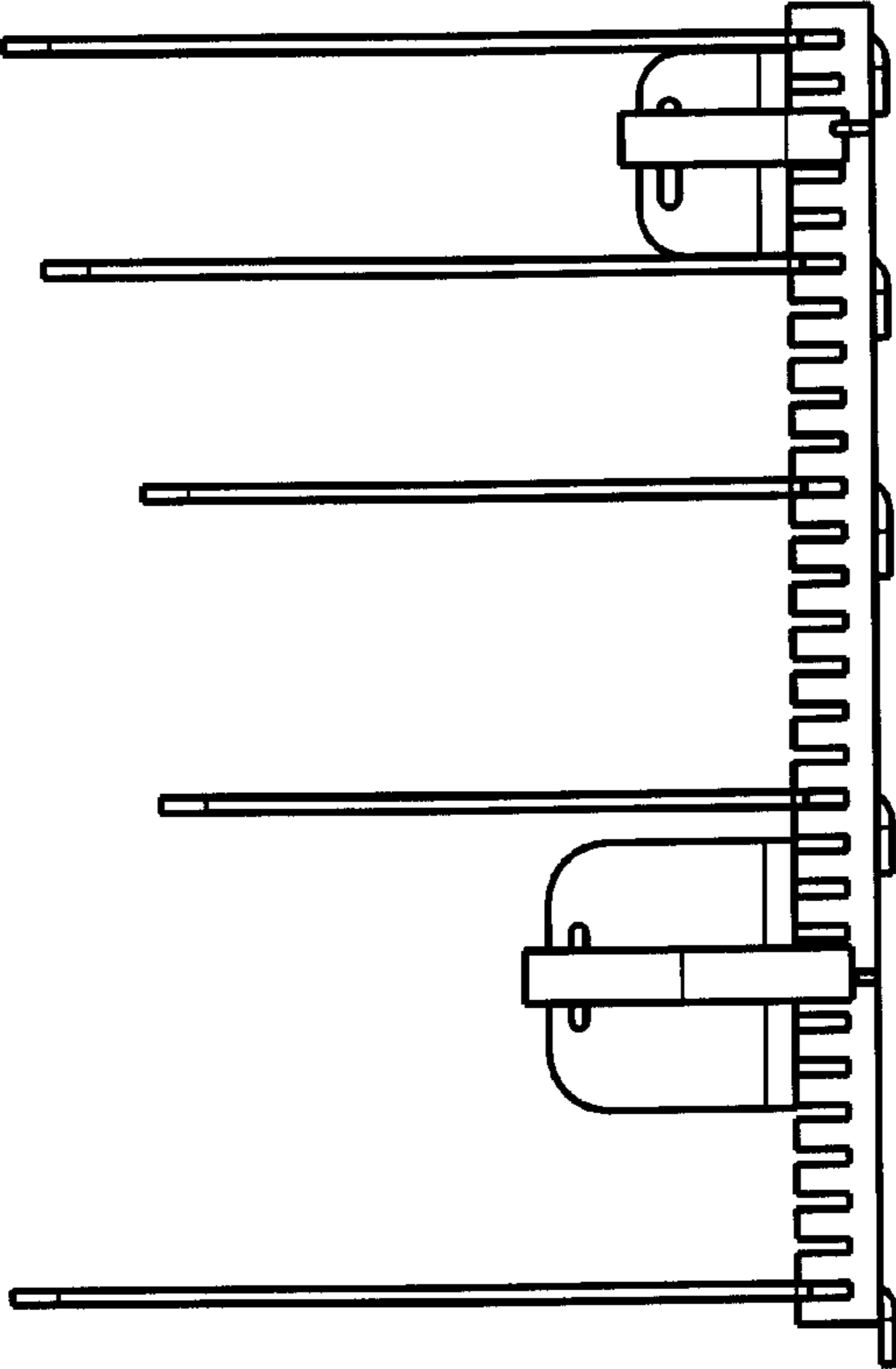


FIG. 5

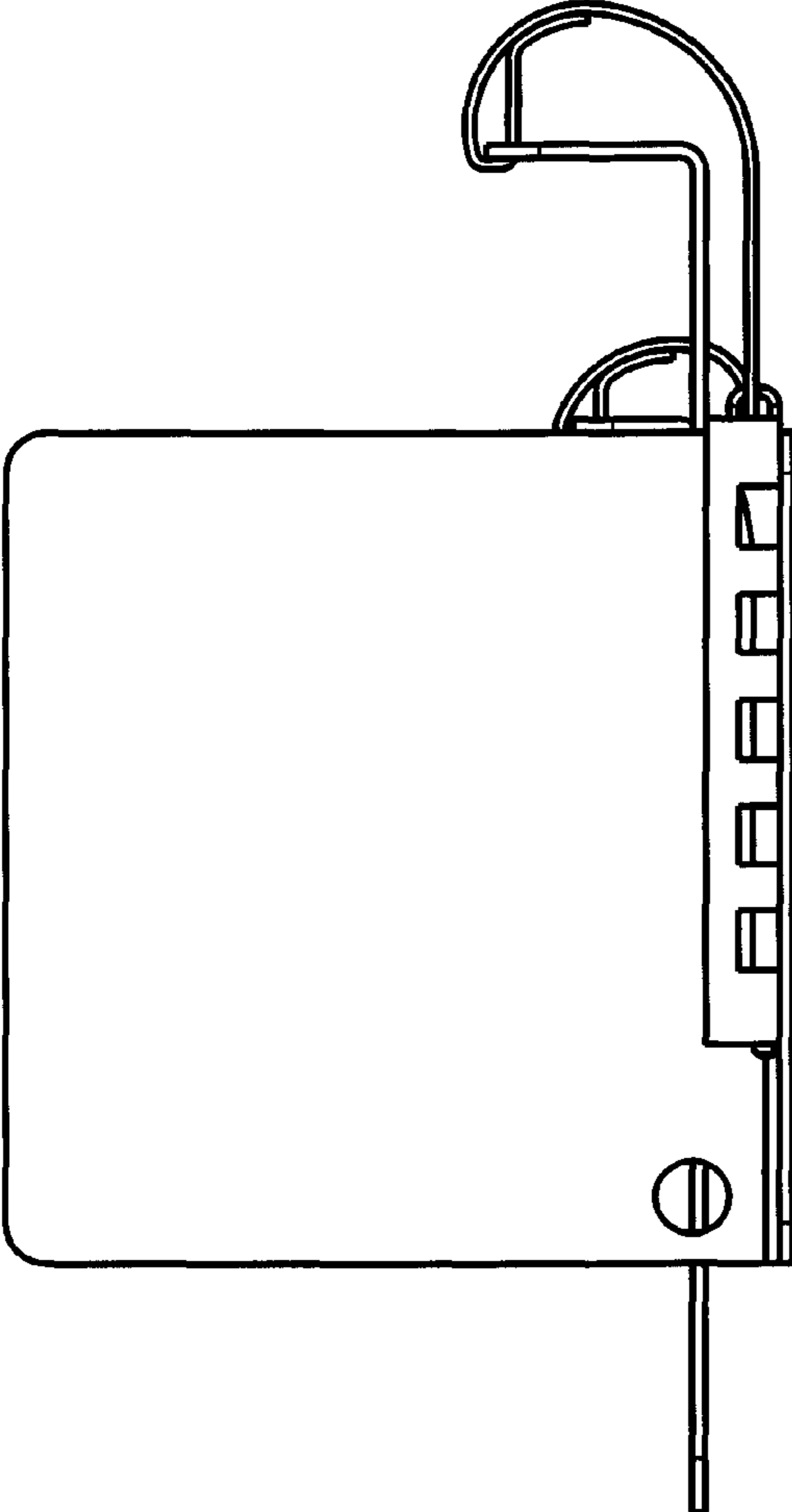


FIG. 6

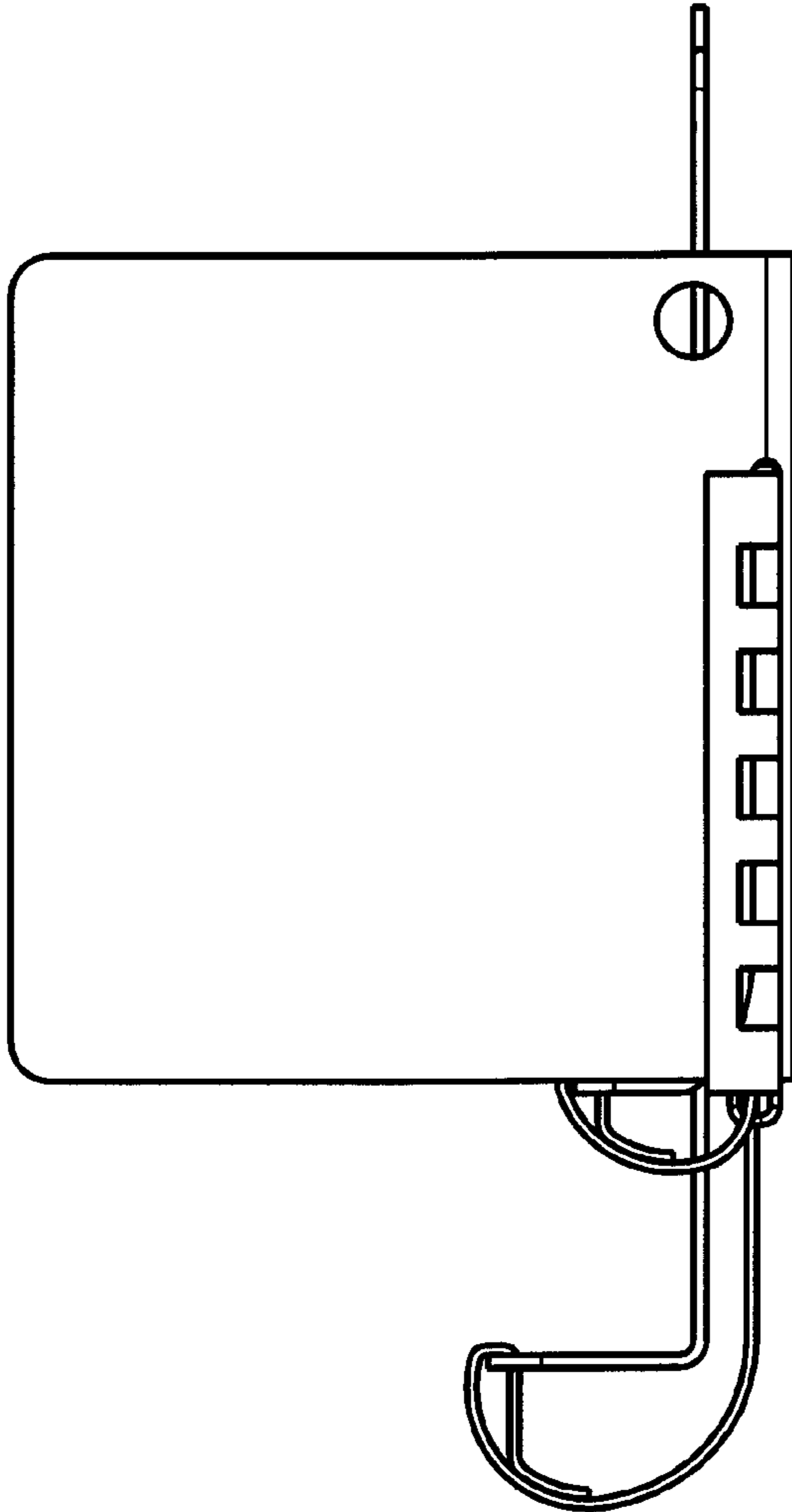


FIG. 7

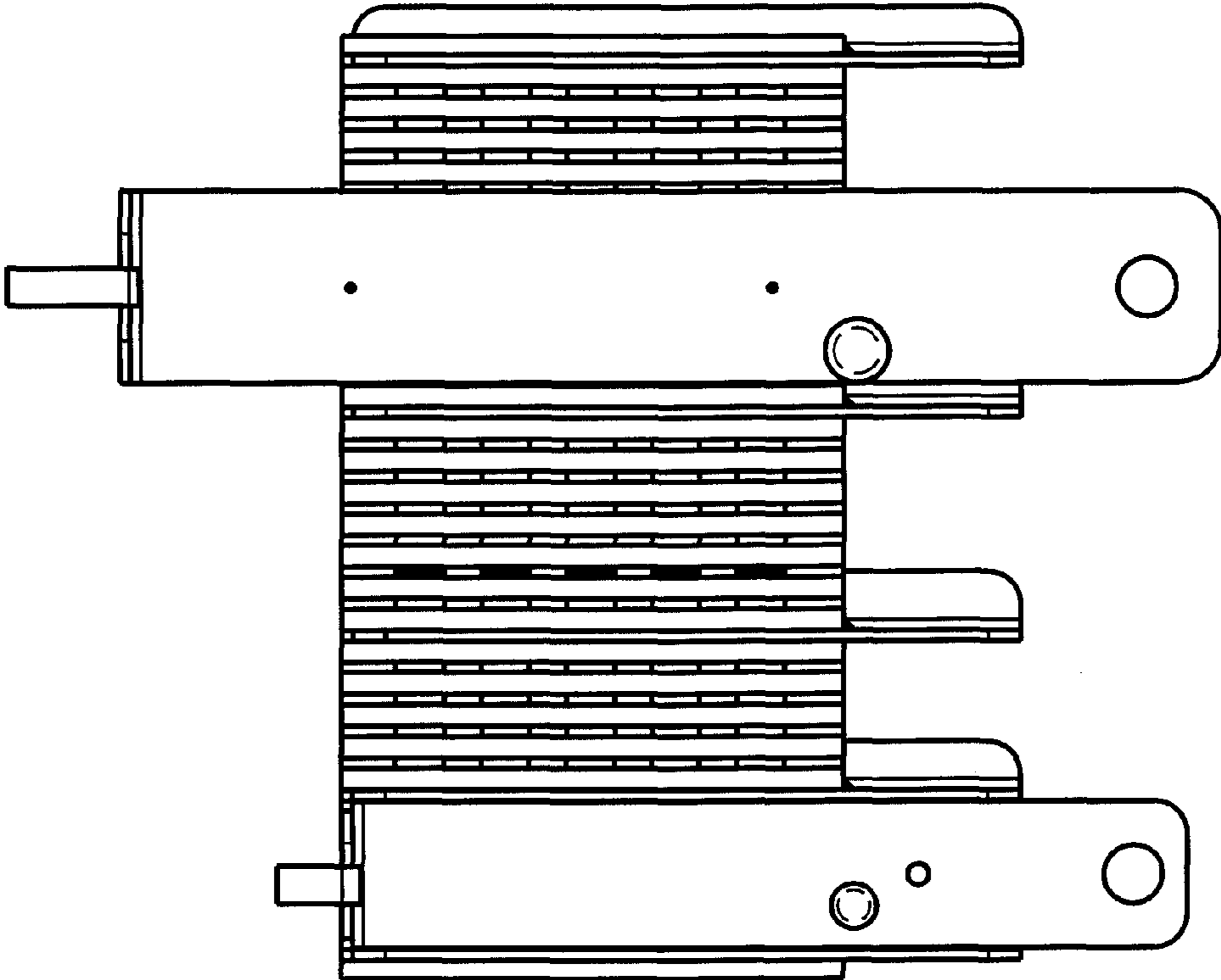


FIG. 8

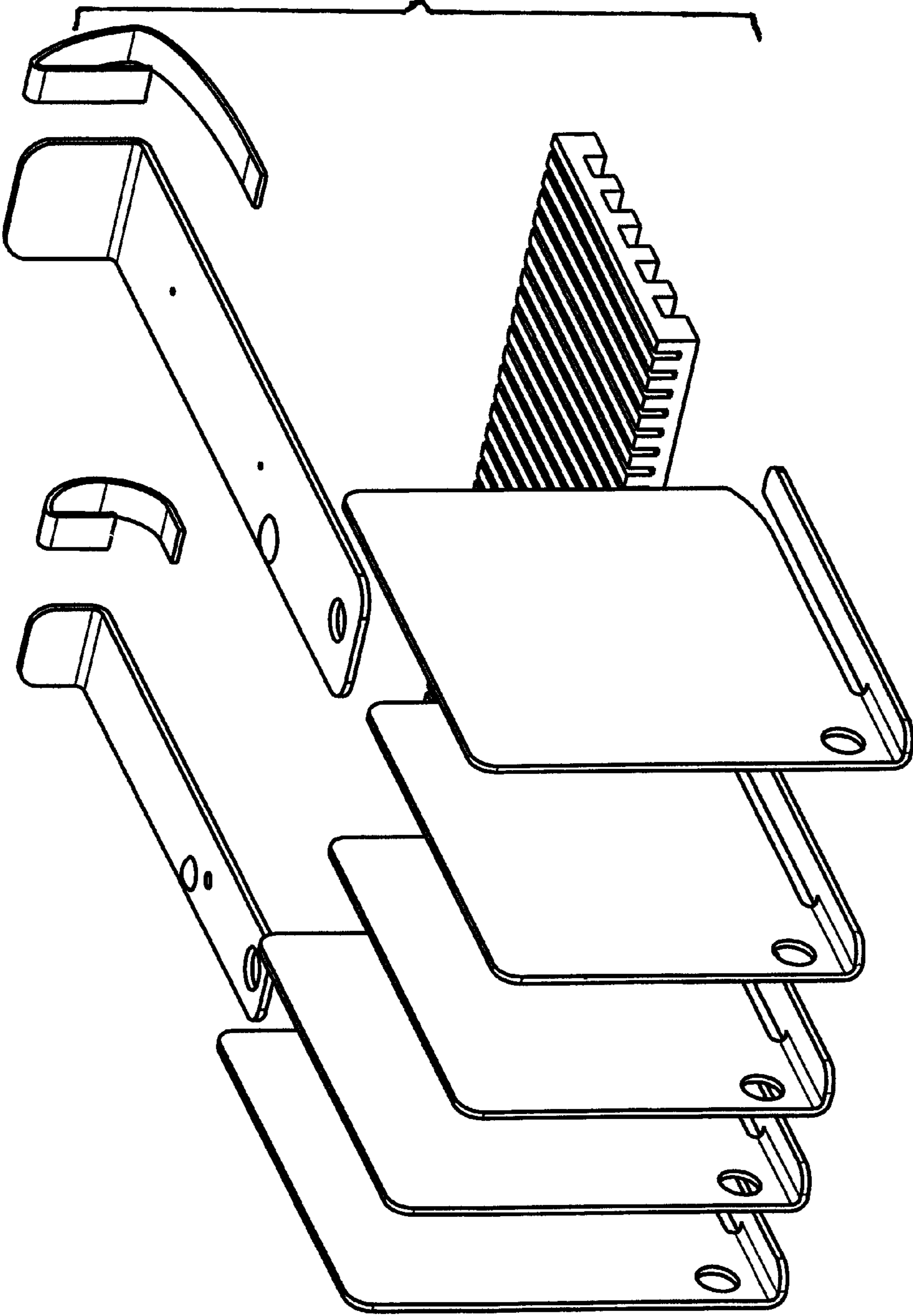


FIG. 9