



US00D645070S

(12) **United States Design Patent**
Sakai

(10) **Patent No.:** **US D645,070 S**

(45) **Date of Patent:** **** Sep. 13, 2011**

(54) **ELECTRONIC CAMERA**

(75) Inventor: **Hiroyuki Sakai**, Kanagawa (JP)

(73) Assignee: **Fujifilm Corporation**, Tokyo (JP)

(**) Term: **14 Years**

(21) Appl. No.: **29/341,634**

(22) Filed: **Aug. 10, 2009**

(30) **Foreign Application Priority Data**

Feb. 25, 2009 (JP) 2009-003999

(51) **LOC (9) Cl.** **16-01**

(52) **U.S. Cl.** **D16/202**

(58) **Field of Classification Search** D16/200–205,
D16/207, 208, 212, 218; 348/373–376; 396/349,
396/448, 535–541

See application file for complete search history.

(56) **References Cited**

U.S. PATENT DOCUMENTS

D542,322 S *	5/2007	Miyashita	D16/202
D555,687 S *	11/2007	Yoo et al.	D16/218
D570,391 S *	6/2008	Hibi	D16/212
D585,083 S *	1/2009	Nakajima	D16/202
D601,604 S *	10/2009	Kim	D16/202

D609,731 S *	2/2010	Yagi	D16/202
D610,182 S *	2/2010	Ohta	D16/202
2009/0103914 A1 *	4/2009	Kitagawa et al.	396/448
2009/0135298 A1 *	5/2009	Kaneko et al.	348/374

* cited by examiner

Primary Examiner — Adir Aronovich

(74) *Attorney, Agent, or Firm* — Young & Thompson

(57) **CLAIM**

The ornamental design for an electronic camera, as shown and described.

DESCRIPTION

FIG. 1 is top front and right side perspective view of an electronic camera showing my new design

FIG. 2 is a front elevational view thereof;

FIG. 3 is a rear elevational view thereof;

FIG. 4 is a top plan view thereof;

FIG. 5 is a bottom plan view thereof;

FIG. 6 is a left side elevational view thereof;

FIG. 7 is a right side elevational view thereof;

FIG. 8 is a front elevational view thereof with a lens barrier closed;

FIG. 9 is a left side elevational view thereof with the lens barrier closed; and,

FIG. 10 is a right side elevational view thereof with the lens barrier closed.

1 Claim, 5 Drawing Sheets

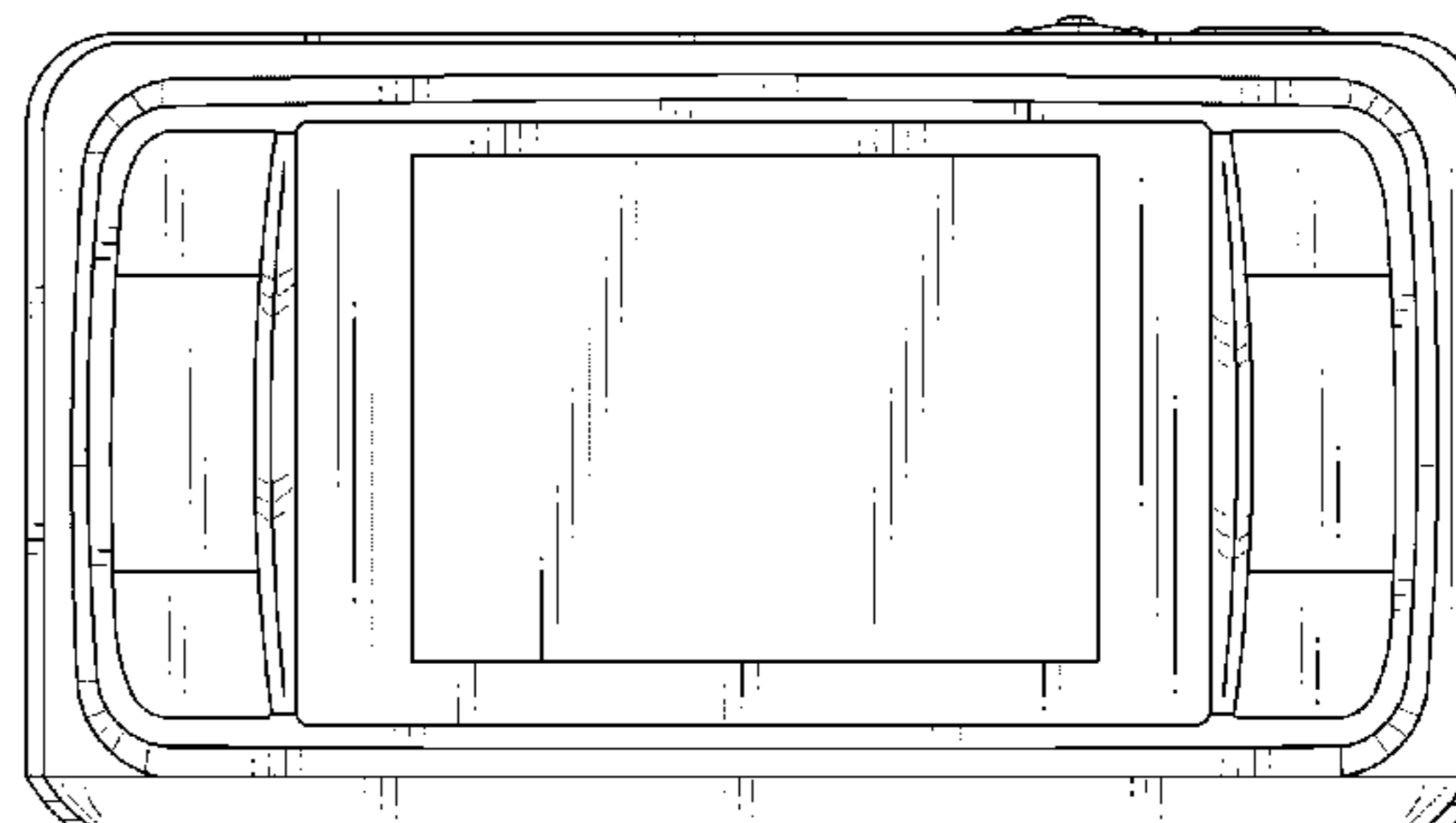
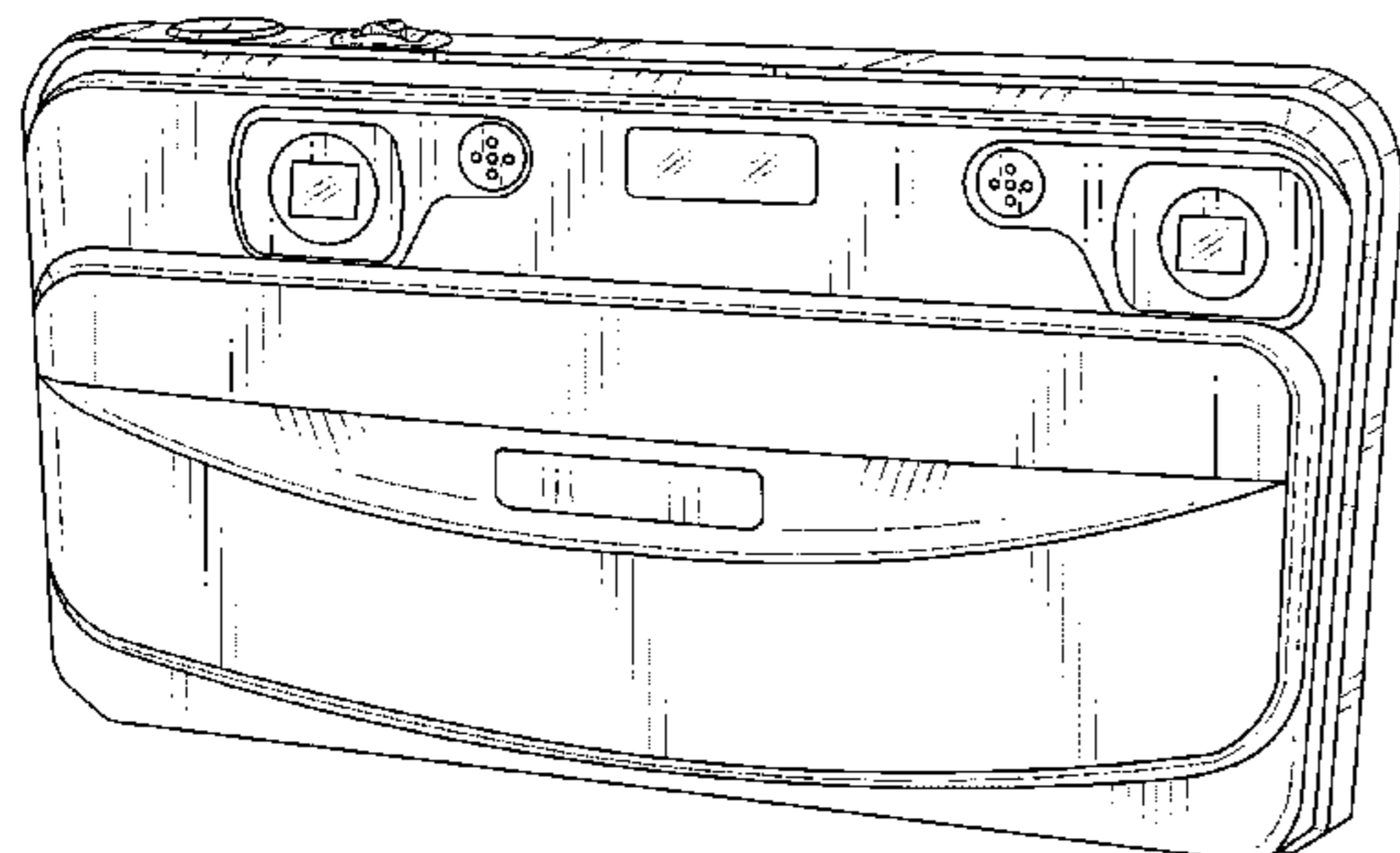


FIG. 1

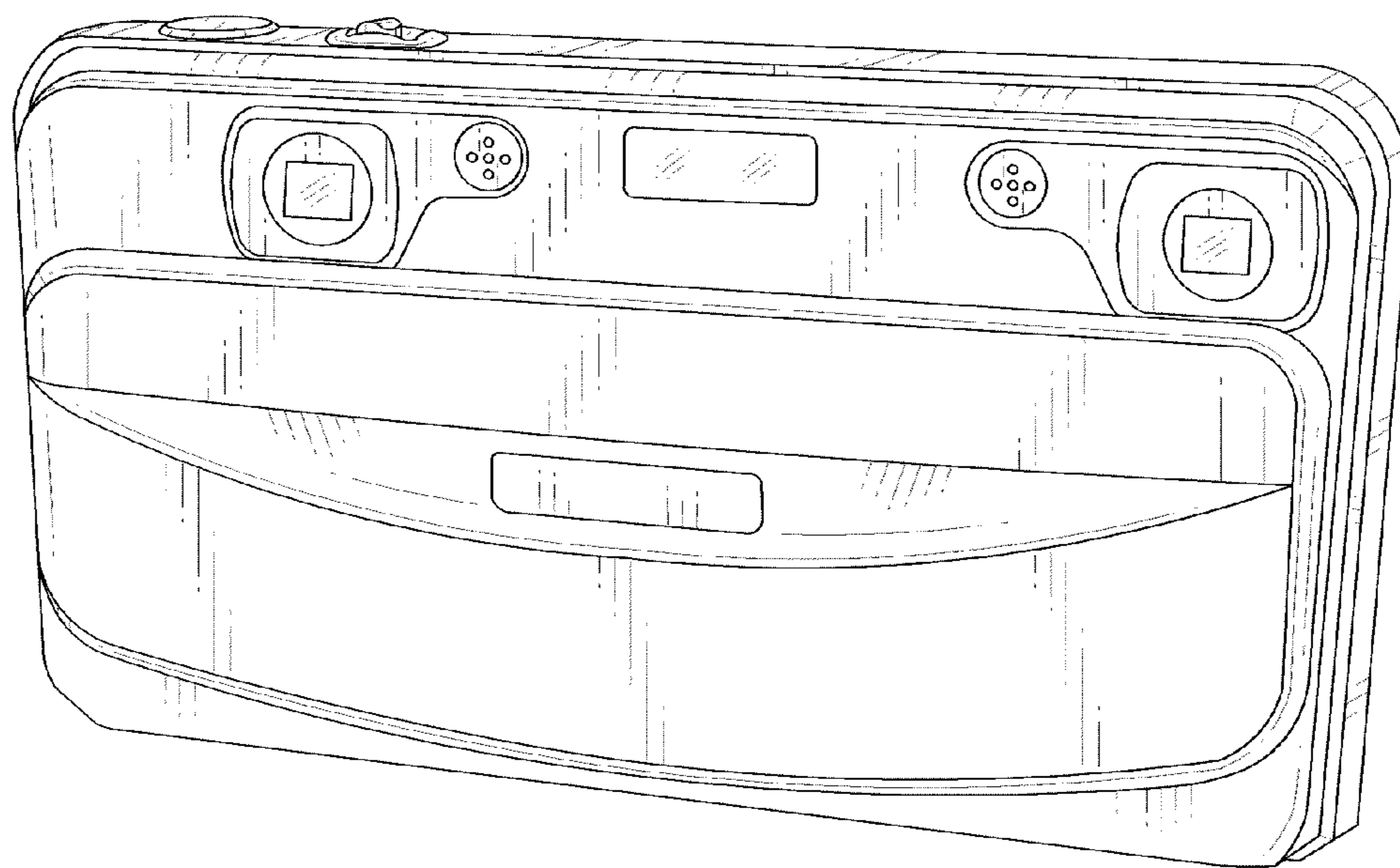


FIG. 2

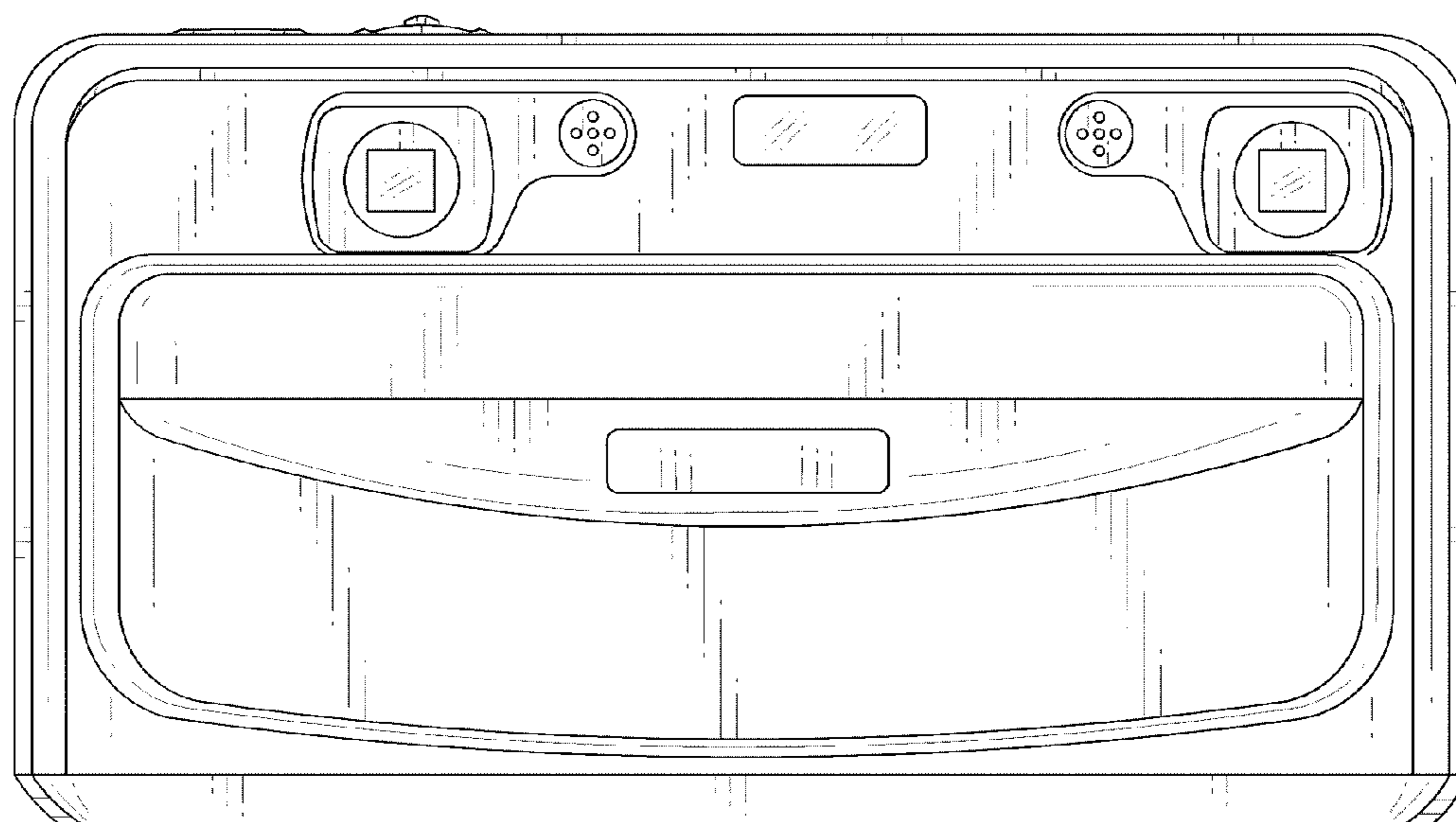


FIG. 3

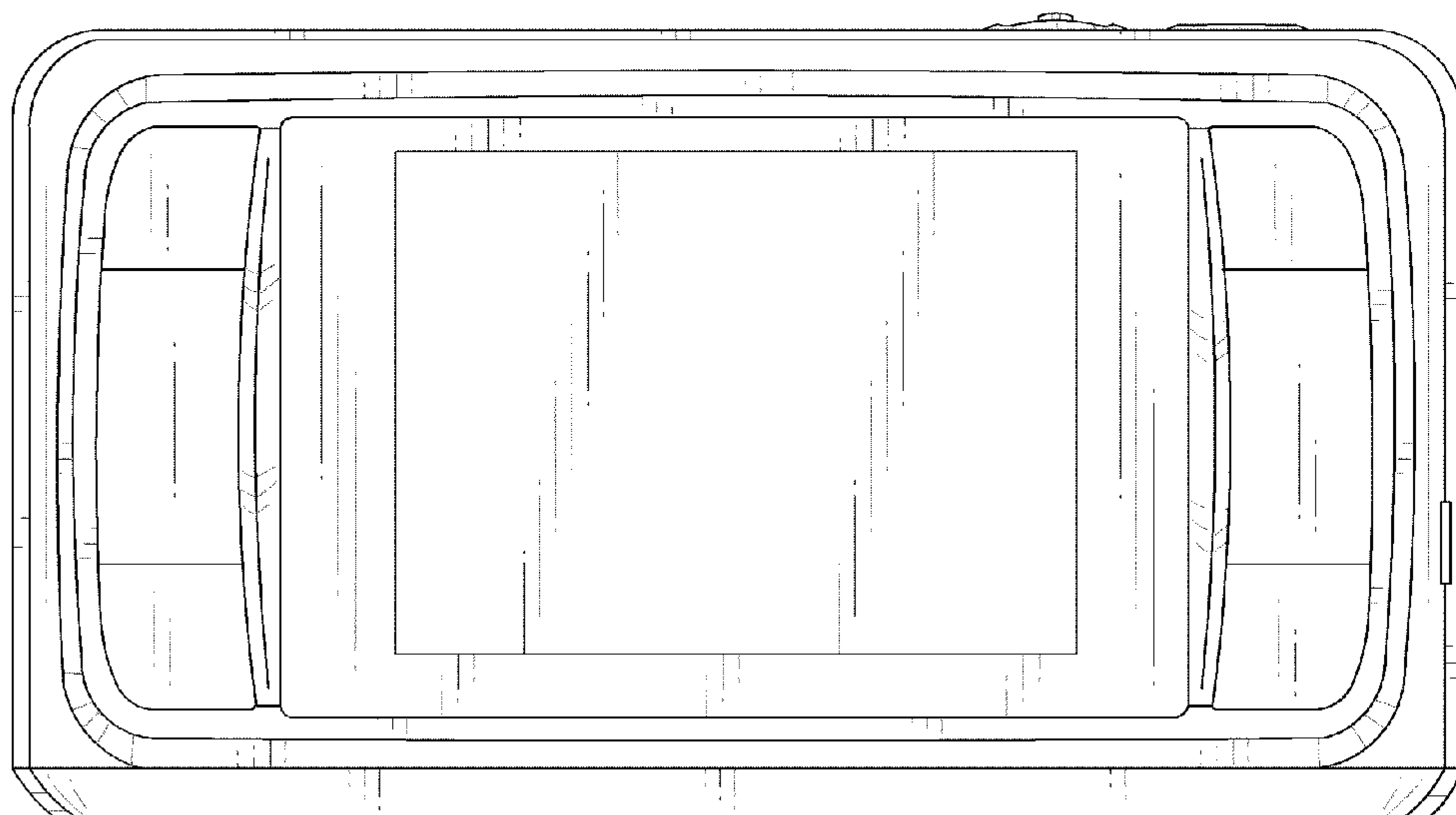


FIG. 4

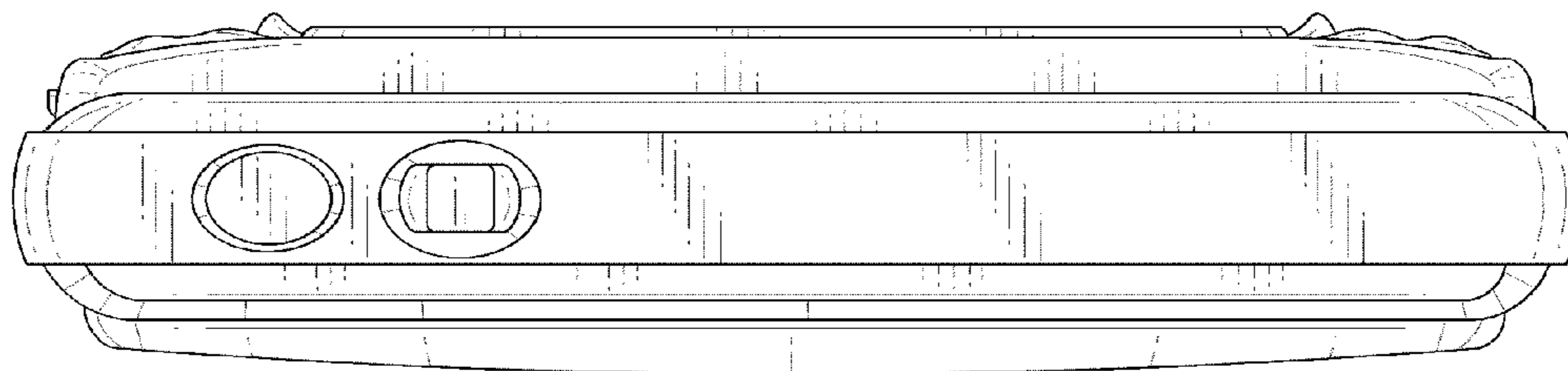


FIG. 5

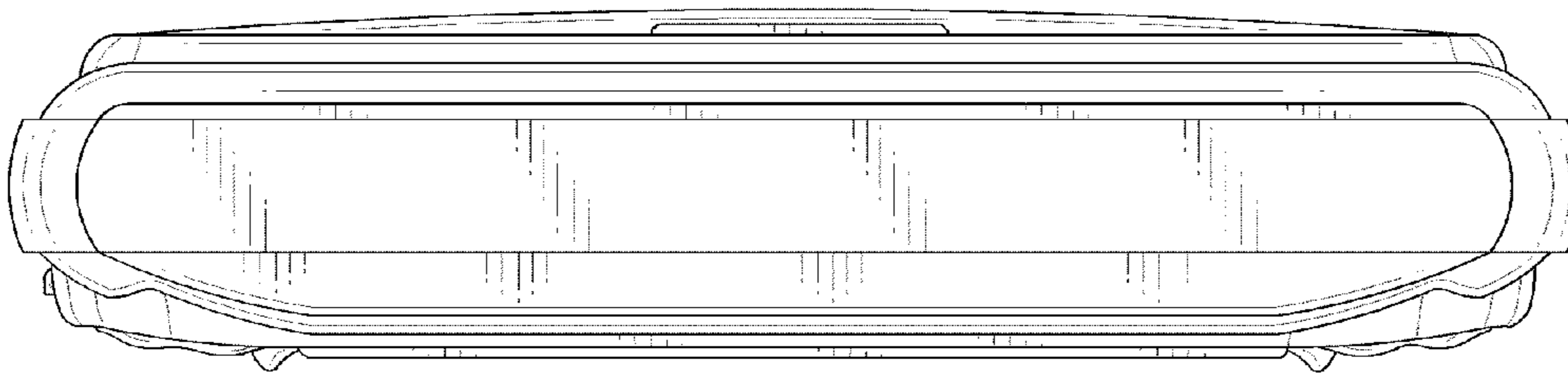


FIG. 6

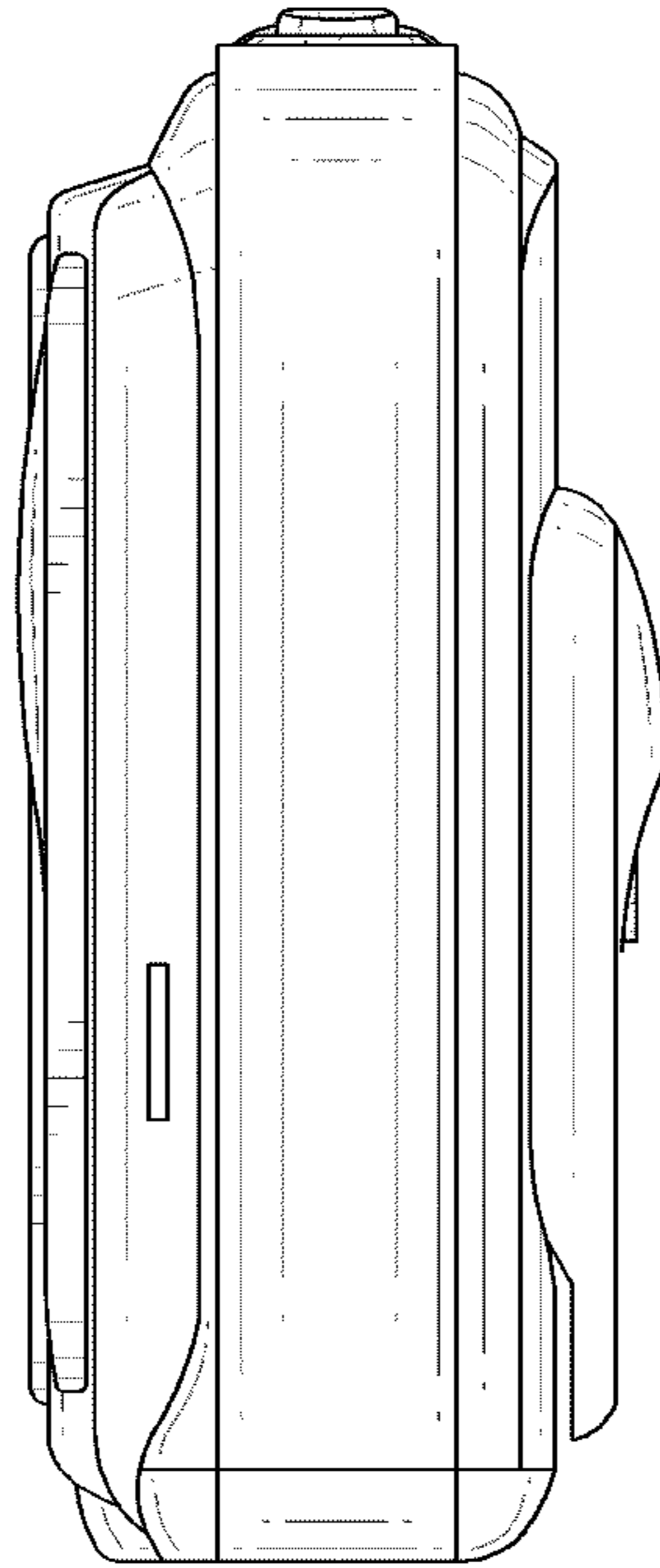


FIG. 7

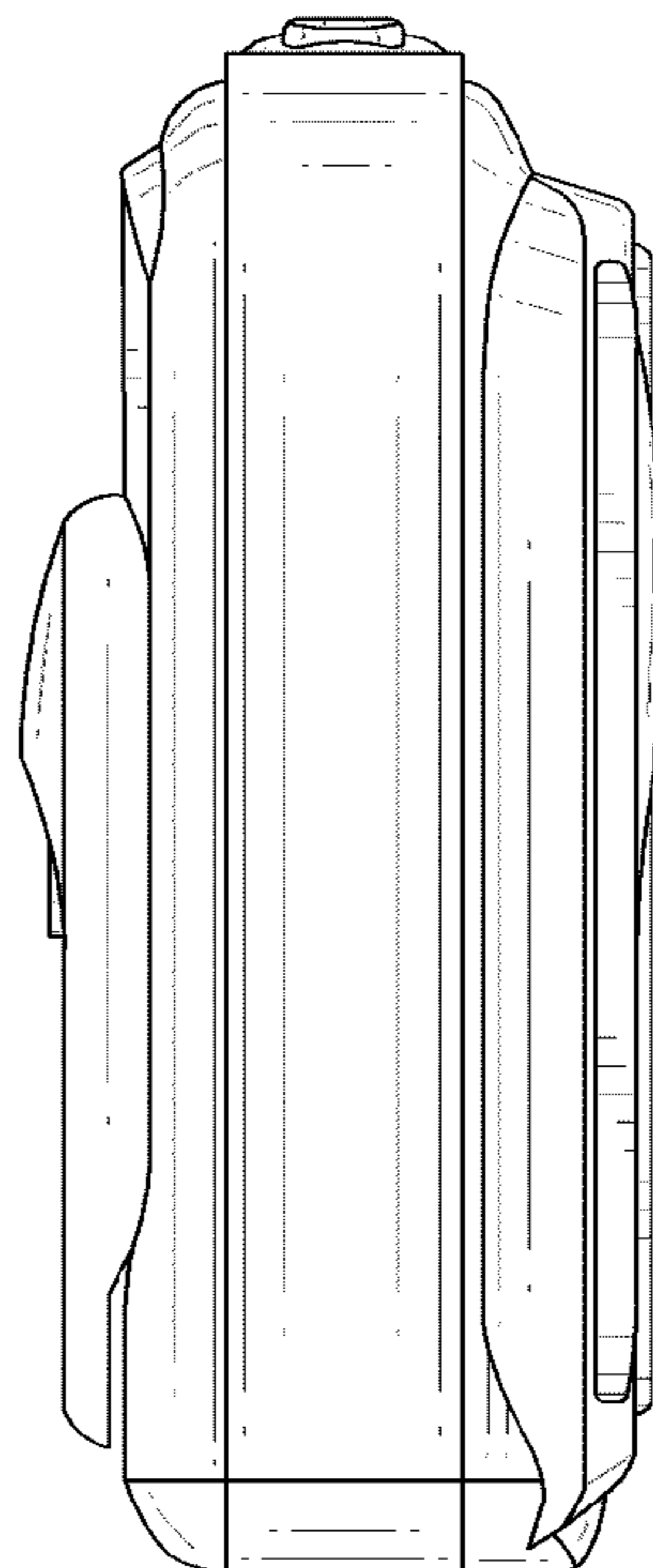


FIG. 8

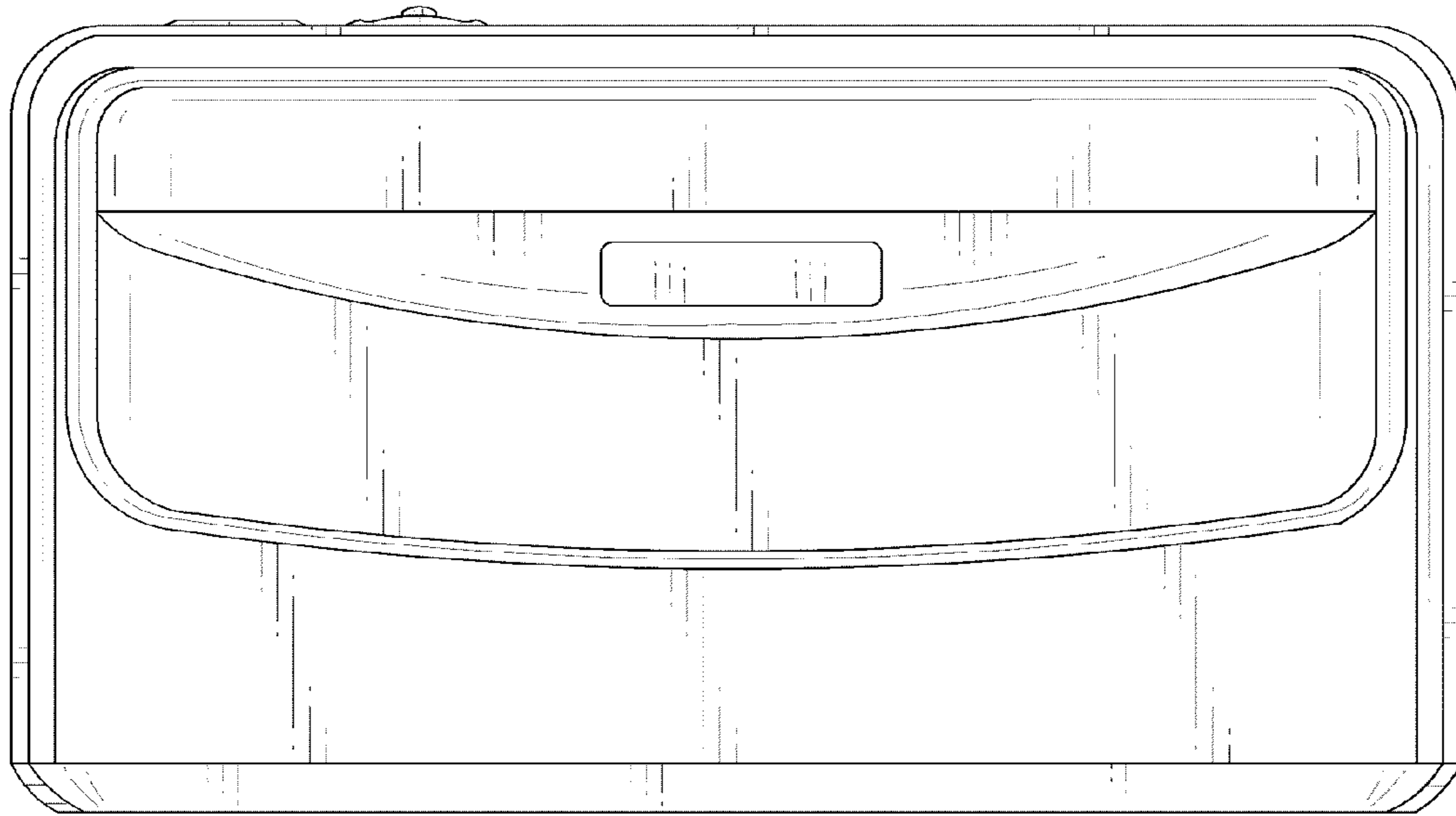


FIG. 9

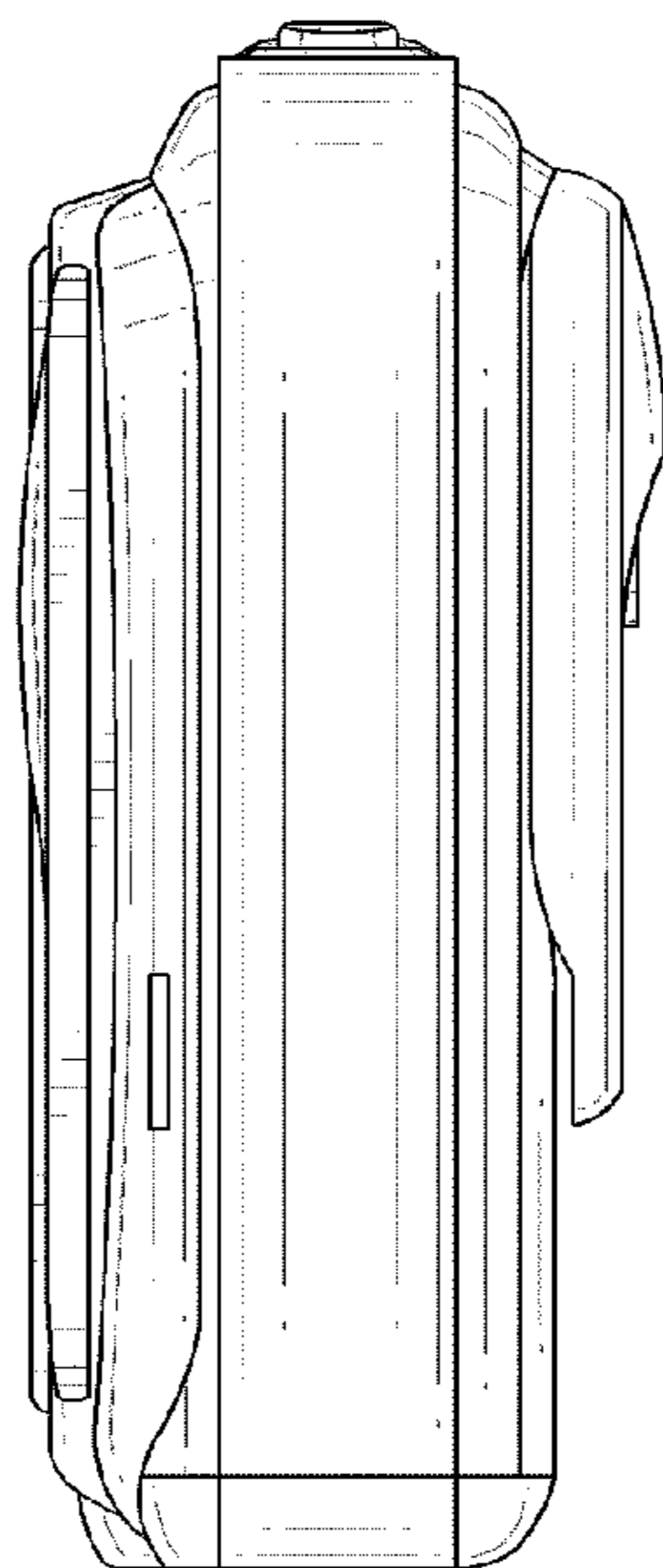


FIG. 10

