



US00D645067S

(12) **United States Design Patent**
Luukkonen et al.

(10) **Patent No.:** **US D645,067 S**

(45) **Date of Patent:** **** *Sep. 13, 2011**

(54) **BELT GUARD FOR A FLOTATION CELL**

(56) **References Cited**

(75) Inventors: **Matti Luukkonen**, Helsinki (FI); **Emmi Helanne**, Espoo (FI); **Jussi Peltokangas**, Helsinki (FI)

U.S. PATENT DOCUMENTS

D258,213	S	*	2/1981	Lydford	D15/147
D260,650	S	*	9/1981	Alviti	D15/147
D271,879	S	*	12/1983	Neilson	D15/147
D284,116	S	*	6/1986	Linde	D15/28
D354,289	S	*	1/1995	Fortenberry et al.	D15/19
D355,884	S	*	2/1995	Schlangen et al.	D12/317
D360,888	S	*	8/1995	Timm	D15/147
D364,836	S	*	12/1995	Schlangen et al.	D12/127
D415,507	S	*	10/1999	Rogers et al.	D15/147
D499,361	S	*	12/2004	Armstrong et al.	D12/126
D554,026	S	*	10/2007	Francis	D12/126
D626,894	S	*	11/2010	Holcomb	D12/126
D637,215	S	*	5/2011	Krohmer et al.	D15/147

(73) Assignee: **Outotec Oyj**, Espoo (FI)

(*) Notice: This patent is subject to a terminal disclaimer.

(**) Term: **14 Years**

(21) Appl. No.: **29/314,709**

* cited by examiner

(22) Filed: **Apr. 20, 2009**

Primary Examiner — Zenia Bennett

(30) **Foreign Application Priority Data**

Oct. 24, 2008 (EM) 001027189

(74) *Attorney, Agent, or Firm* — Klauber & Jackson LLC

(51) **LOC (9) Cl.** **15-09**

(57) **CLAIM**

The ornamental design for a belt guard for a flotation cell, as shown and described.

(52) **U.S. Cl.** **D15/147**

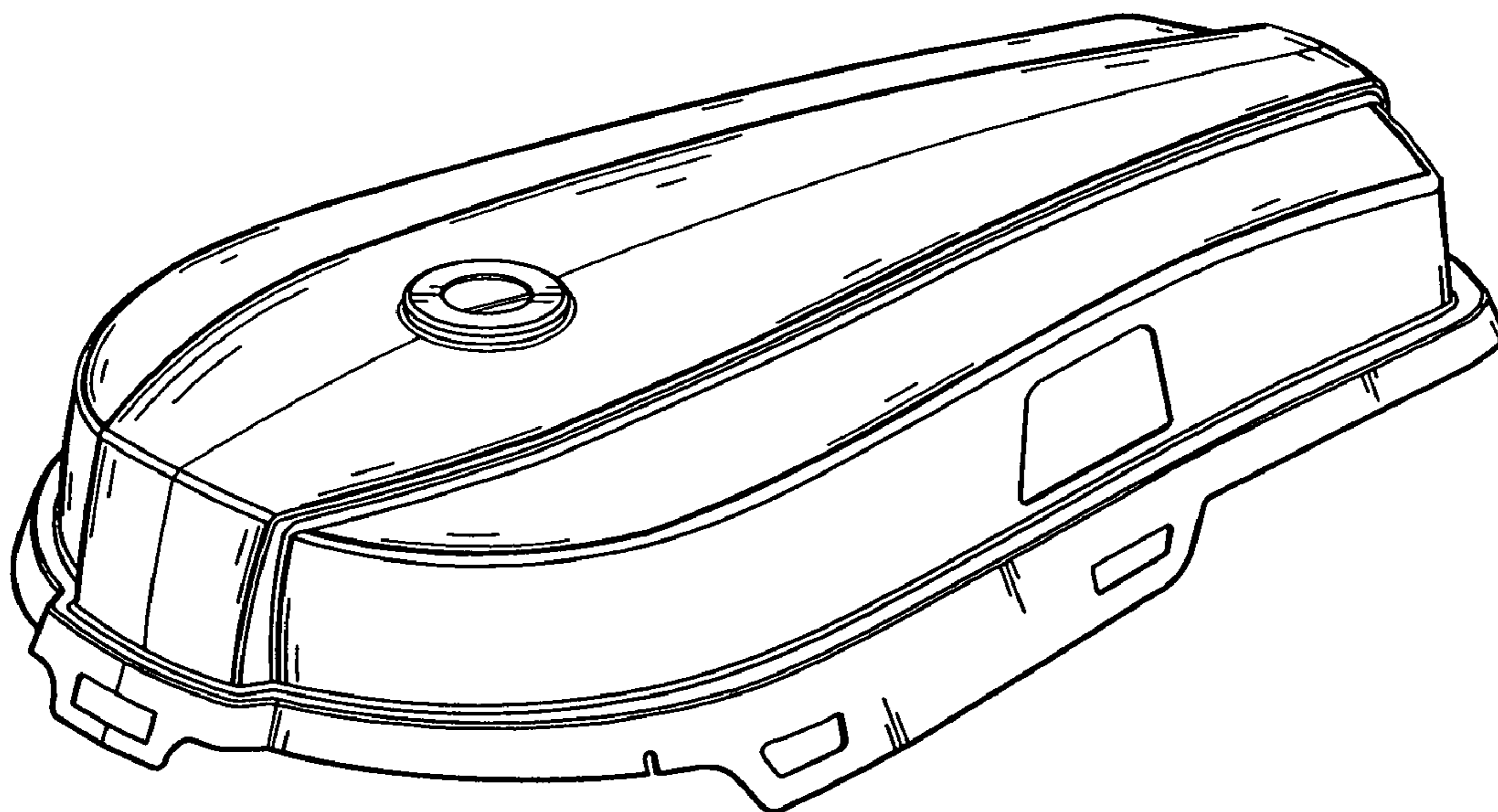
DESCRIPTION

(58) **Field of Classification Search** D21/769-770,
D21/801, 803, 809; 114/253, 345-346; 441/35,
441/66, 40-42, 129-132; 472/128-129;
D12/5, 6, 316, 126, 127; D15/13, 19, 21,
D15/147; D29/129, 130; D8/70; 202/124,
202/123, 424, 437, 438, 439, 458, 459, 460,
202/451, 452, 474, 501; 266/148, 177

FIG. 1 is an upper perspective view showing the front and left side of a belt guard for a flotation cell of our new design; FIG. 2 is a top view thereof; FIG. 3 is a bottom view thereof; FIG. 4 is a front view thereof; FIG. 5 is a rear view thereof; FIG. 6 is a left side view thereof; and, FIG. 7 is a right side view thereof.

See application file for complete search history.

1 Claim, 4 Drawing Sheets



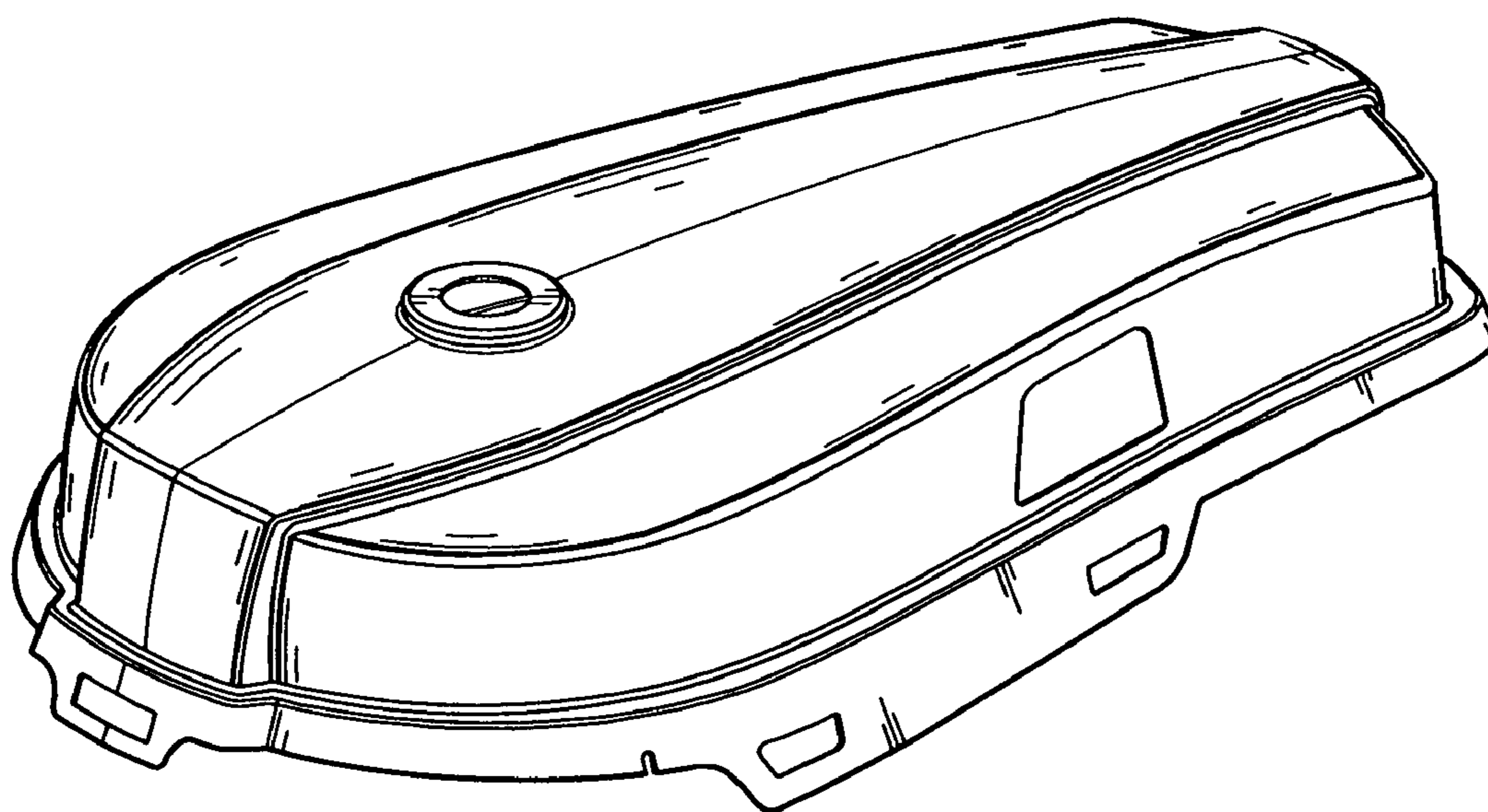


FIG. 1

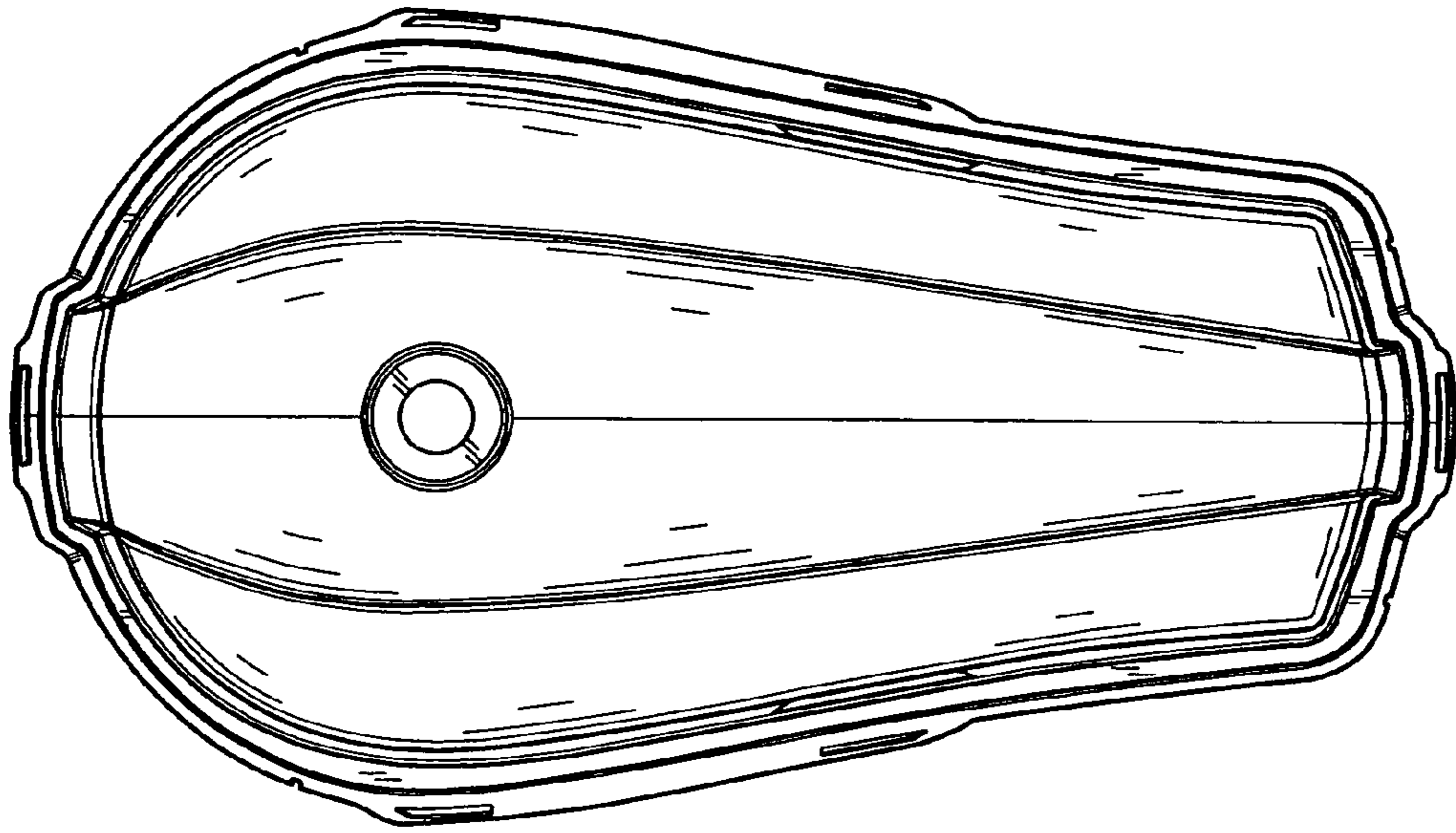


FIG. 2

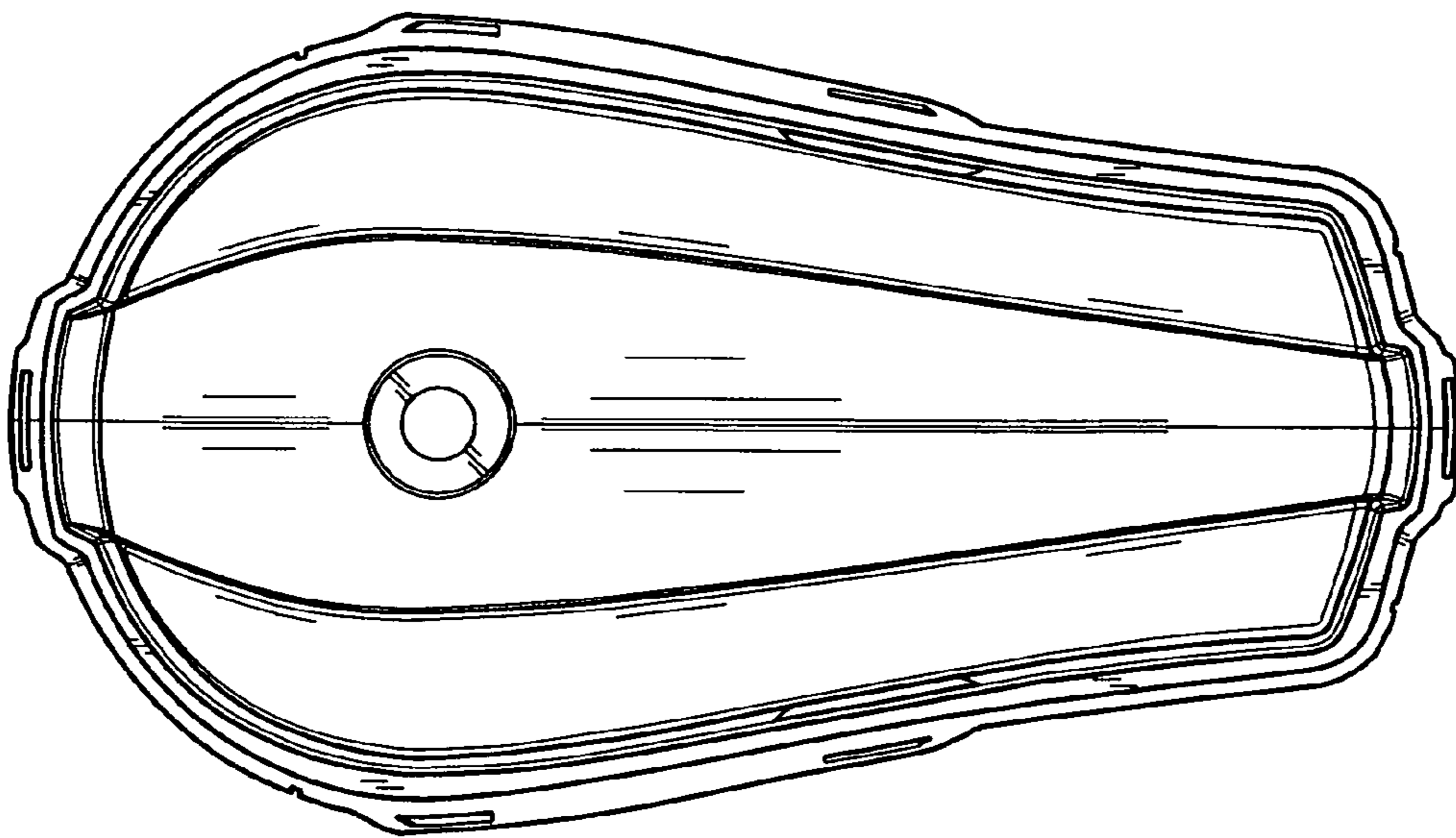


FIG. 3

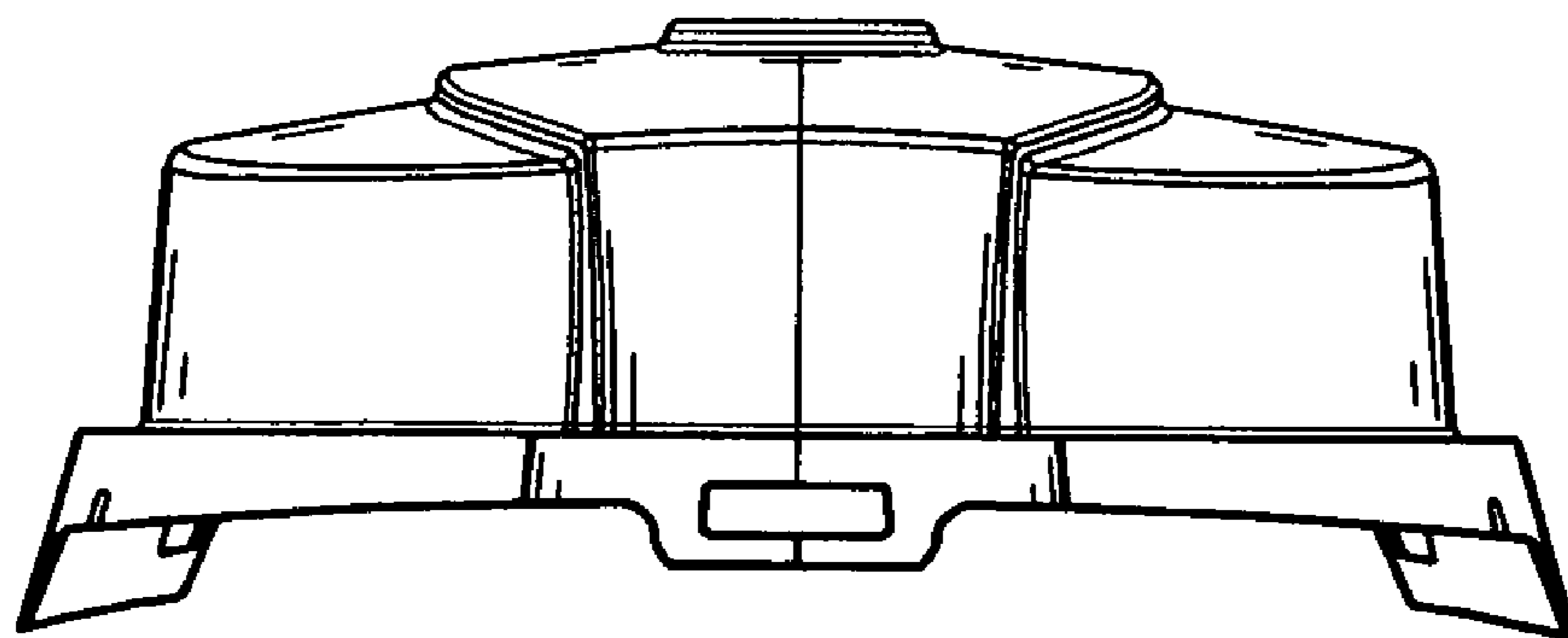


FIG. 4

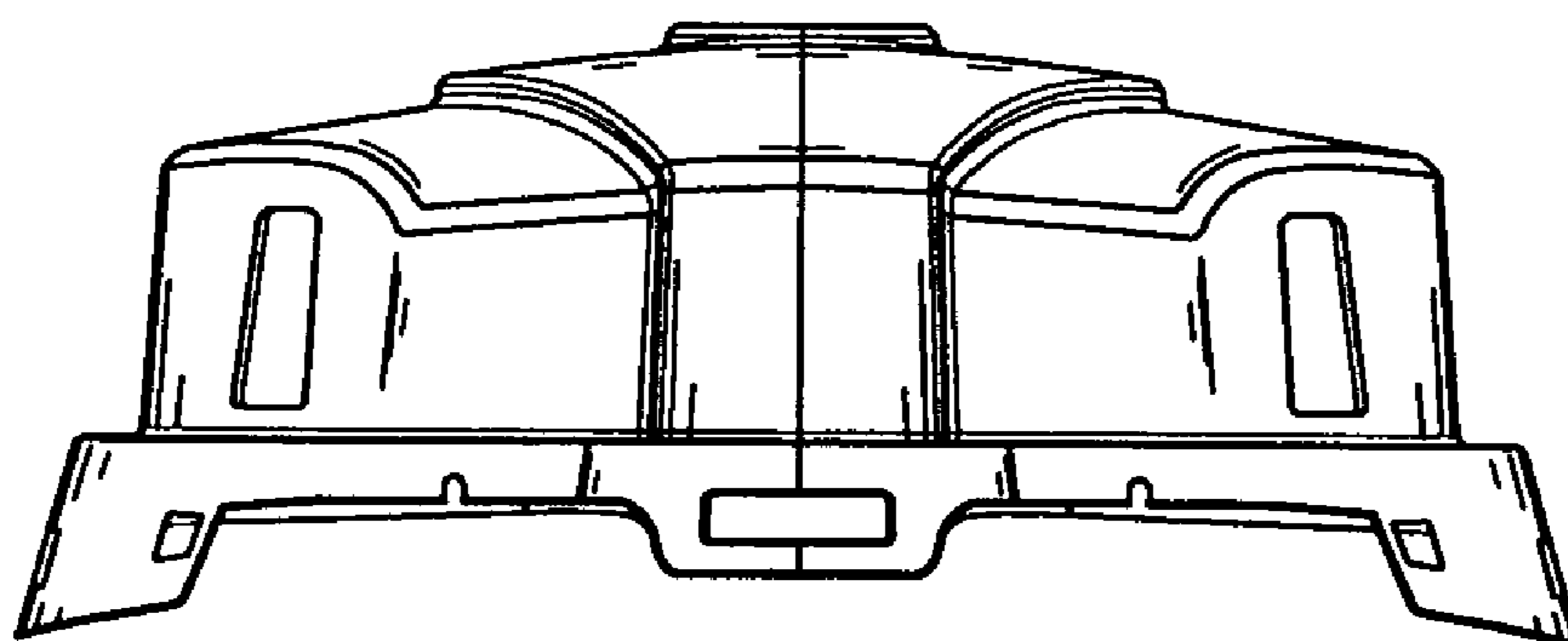


FIG. 5

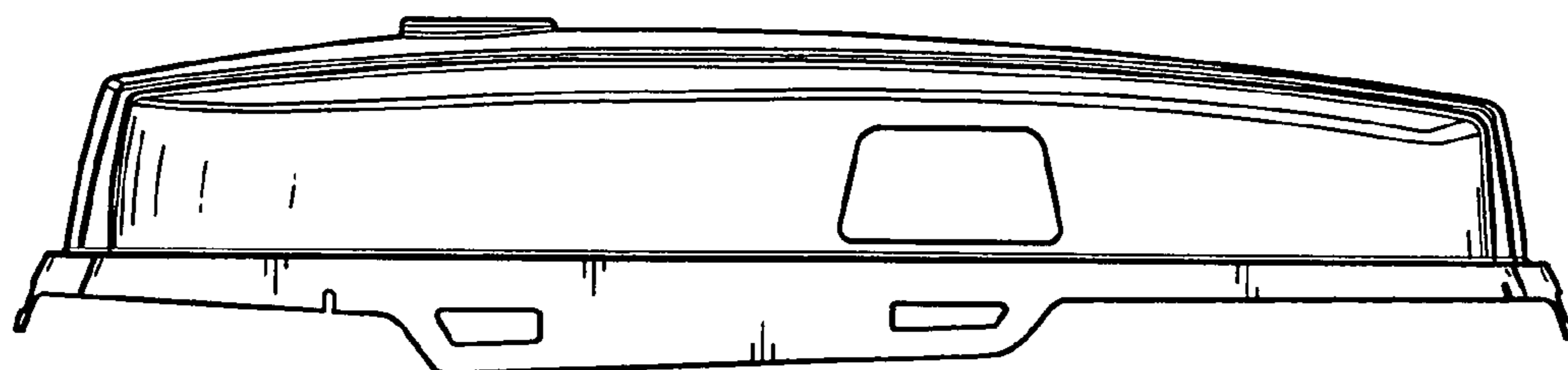


FIG. 6

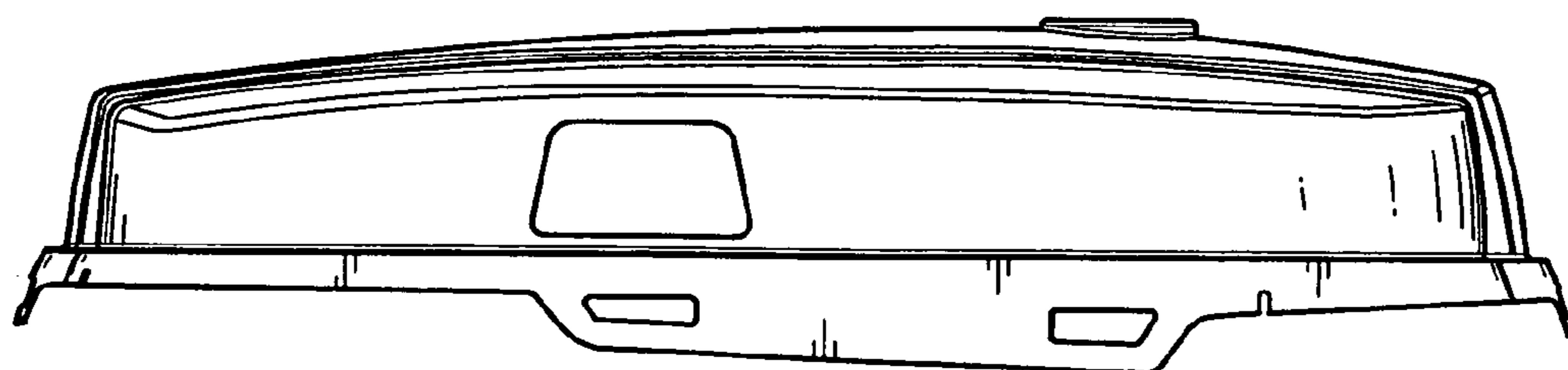


FIG. 7