



US00D645064S

(12) **United States Design Patent**
Basta

(10) **Patent No.:** **US D645,064 S**

(45) **Date of Patent:** **** Sep. 13, 2011**

(54) **GARTER BAR**

(75) Inventor: **Kristan E. Basta**, Manhattan, MT (US)

(73) Assignee: **Kriskrafter, LLC**, Manhattan, MT (US)

(**) Term: **14 Years**

(21) Appl. No.: **29/360,270**

(22) Filed: **Apr. 22, 2010**

(51) **LOC (9) Cl.** **15-06**

(52) **U.S. Cl.** **D15/78**

(58) **Field of Classification Search** D15/66-78;
D3/18, 20, 23-26; 66/1 A, 4, 125 R, 221,
66/222, 62, 64, 58, 90, 91, 95, 96 R
See application file for complete search history.

(56) **References Cited**

U.S. PATENT DOCUMENTS

2,131,331	A *	9/1938	Pitchers et al.	66/96 R
3,054,277	A *	9/1962	Broschard	66/1 A
3,577,748	A *	5/1971	Nortland	66/4
3,855,819	A *	12/1974	Sawazaki	66/221
D311,745	S *	10/1990	Wieland	D15/66
6,223,564	B1 *	5/2001	Lonati et al.	66/95

OTHER PUBLICATIONS

Diana Sullivan; Machine knitters—master your garter bar! How to use the garter bar to do garter stitch; Aug. 15, 2009; YOUTUBE.com; <http://www.youtube.com/watch?v=KLBuPekHMLo>.

* cited by examiner

Primary Examiner — Mitchell Siegel

(74) *Attorney, Agent, or Firm* — Sarah J. Rhoades

(57) **CLAIM**

The ornamental design for a garter bar, as shown and described.

DESCRIPTION

FIG. 1 is a front elevation view of a new, ornamental design for a garter bar;

FIG. 2 is a rear elevation view thereof;

FIG. 3 is a perspective view thereof; the broken away section is shown for ease of illustration;

FIG. 4 is an enlarged fragmented perspective view of FIG. 3;

FIG. 5 is an enlarged fragmented perspective view of FIG. 3; and,

FIG. 6 is an end elevational view of FIG. 1.

1 Claim, 6 Drawing Sheets

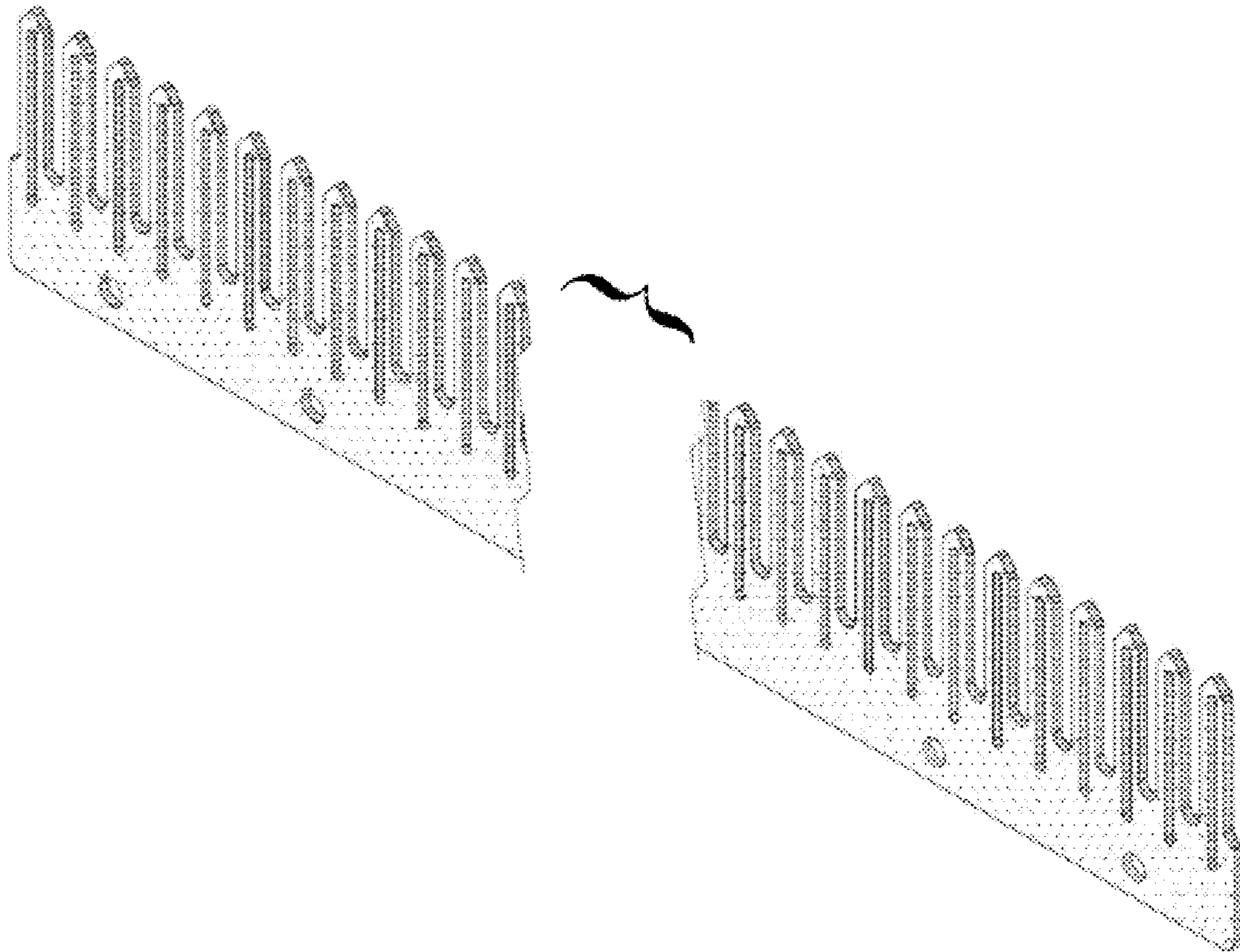


Figure 1

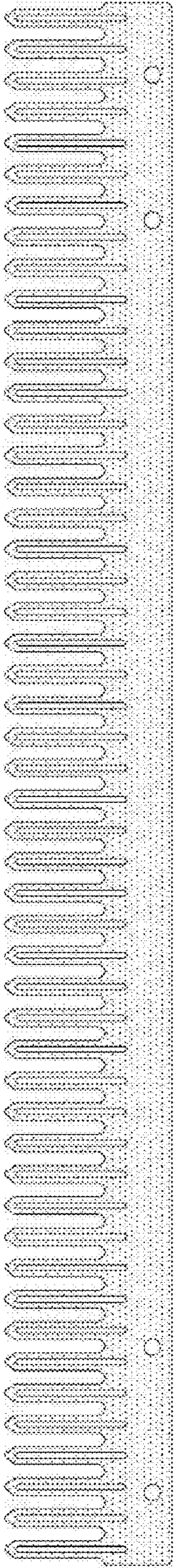


Figure 2

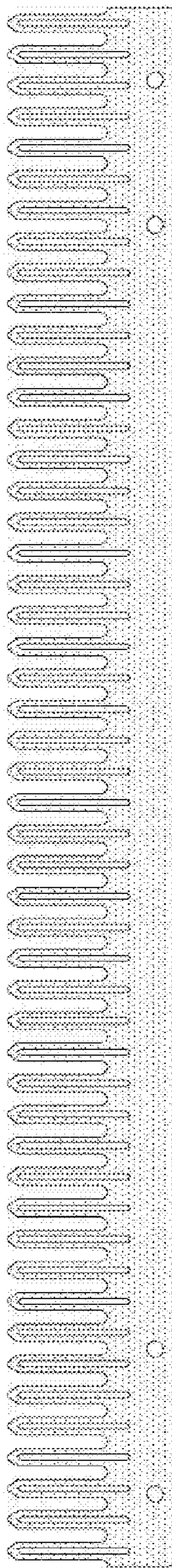
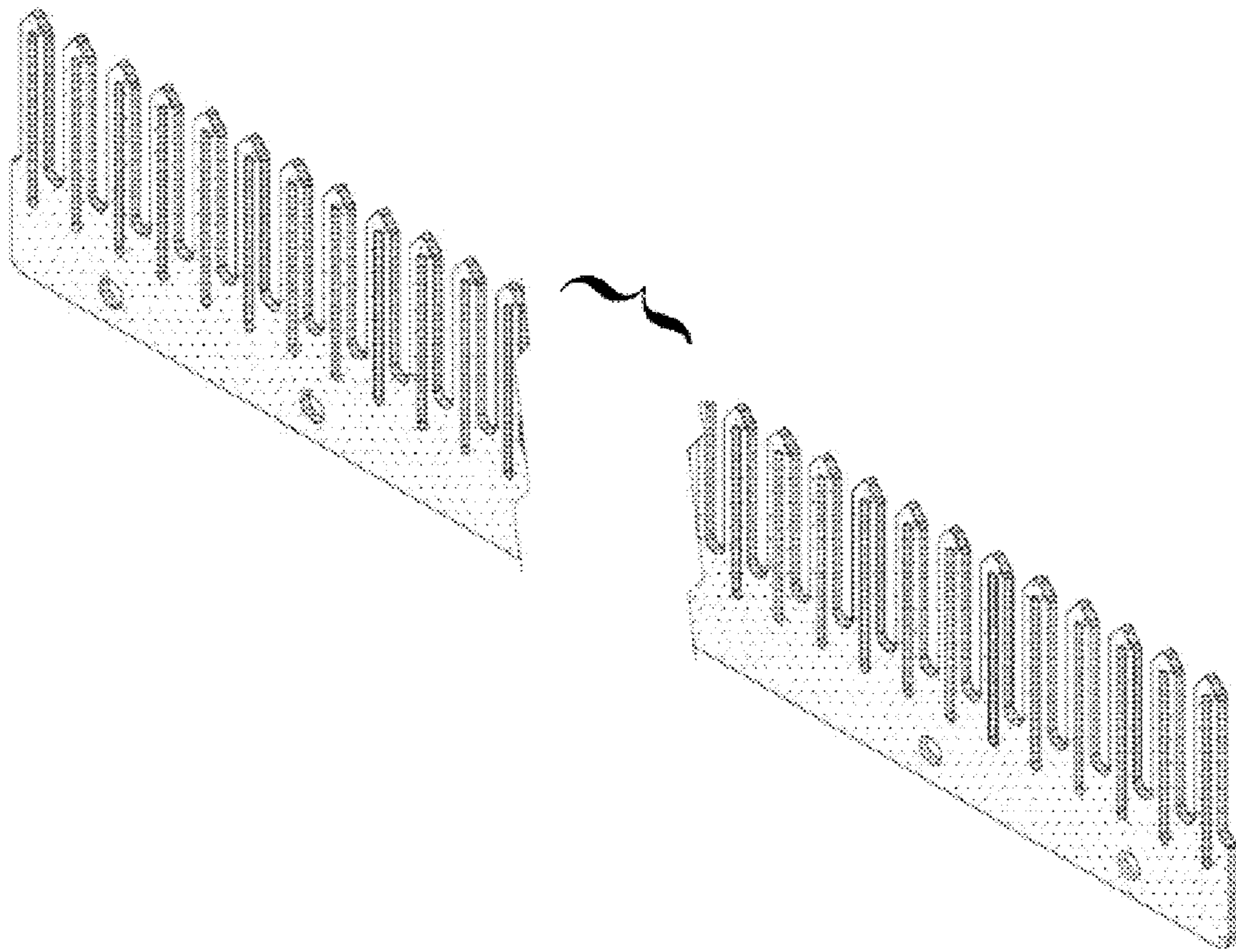


Figure 3



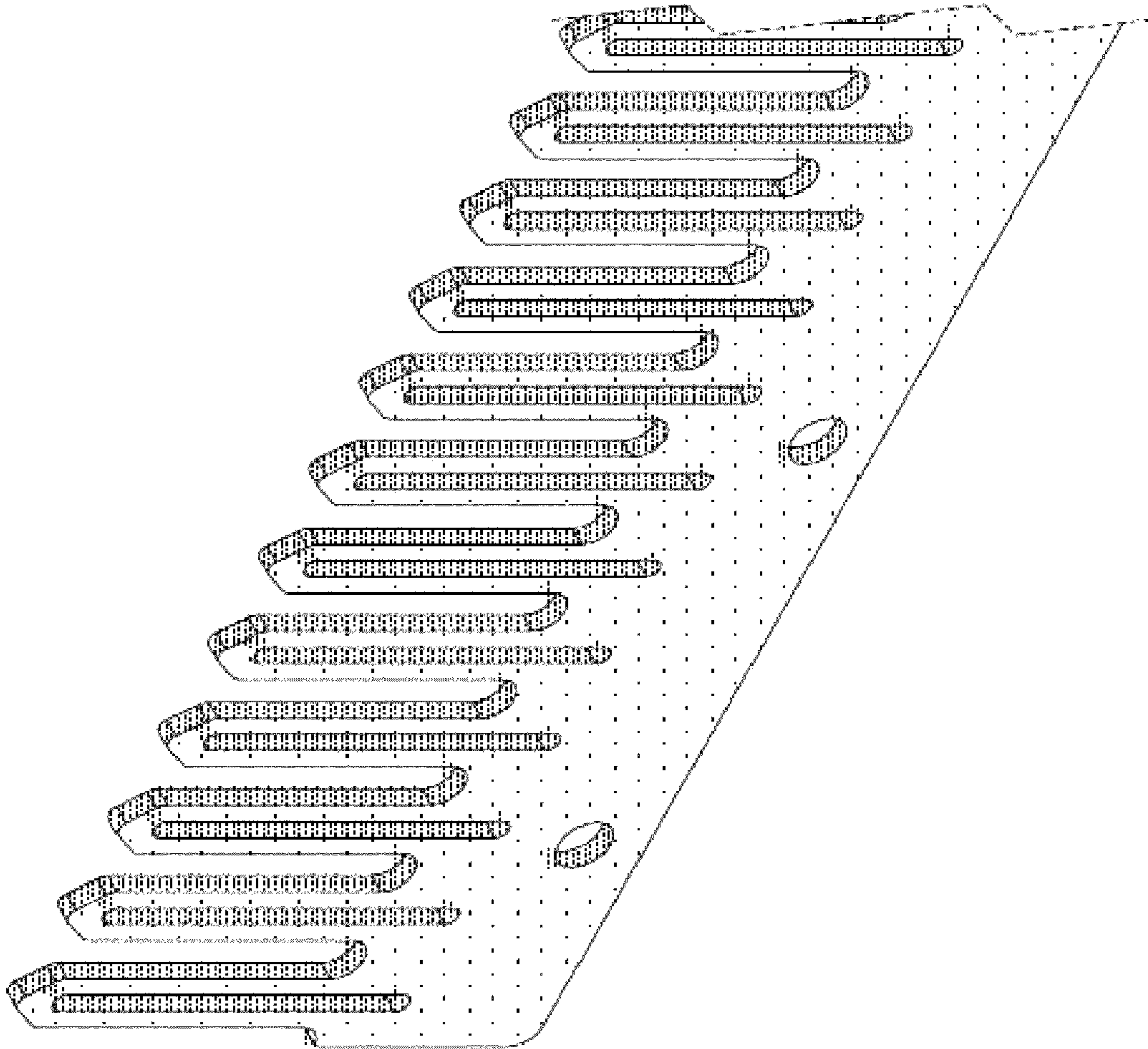


Figure 4

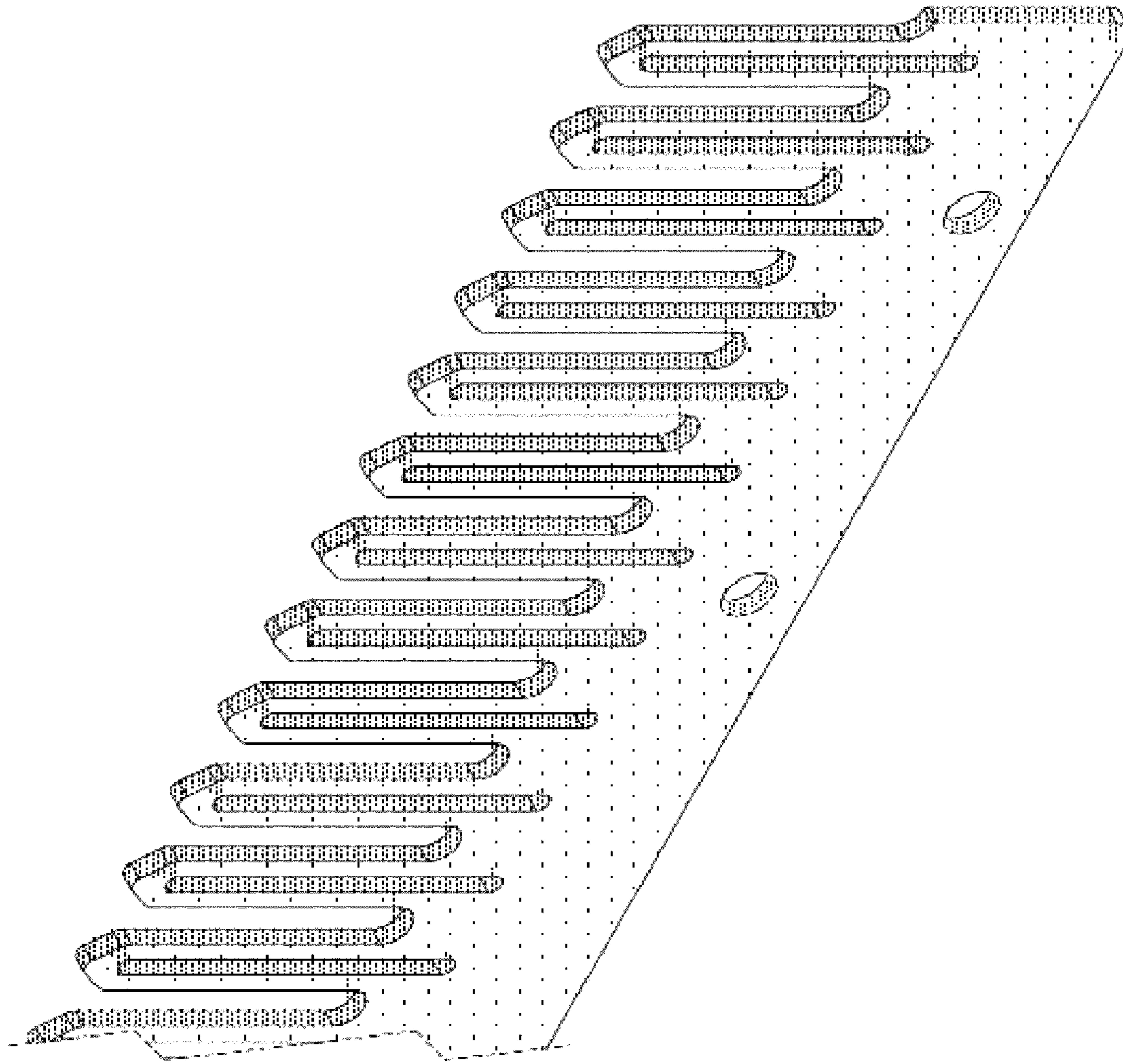


Figure 5



Figure 6