



US00D645063S

(12) **United States Design Patent**
Bercsik

(10) **Patent No.:** **US D645,063 S**

(45) **Date of Patent:** **** Sep. 13, 2011**

(54) **COUPLER**

(75) Inventor: **Jeffrey Bercsik**, Uniontown, OH (US)

(73) Assignee: **Baird, Inc.**, Stow, OH (US)

(**) Term: **14 Years**

(21) Appl. No.: **29/387,481**

(22) Filed: **Mar. 14, 2011**

Related U.S. Application Data

(62) Division of application No. 29/379,266, filed on Nov. 17, 2010.

(51) **LOC (9) Cl.** **15-03**

(52) **U.S. Cl.** **D15/32**

(58) **Field of Classification Search** D15/10,
D15/11, 22-26, 28, 32; 414/723; 37/468,
37/444; 403/321, 324, 325, 24; 172/272-275,
172/754, 760

See application file for complete search history.

(56) **References Cited**

U.S. PATENT DOCUMENTS

3,930,668	A	1/1976	Schuermann et al.
D274,251	S	6/1984	Hustveit
4,708,579	A	11/1987	Baird et al.
4,963,071	A	10/1990	Larwin et al.
5,310,275	A	5/1994	Lovitt
5,865,594	A	2/1999	Kim
6,513,268	B2	2/2003	Lee et al.
6,860,706	B2	3/2005	Godwin et al.
6,866,467	B2	3/2005	Dvorak et al.
D528,569	S	9/2006	Nilsson
7,225,566	B1	6/2007	Kimble
D585,462	S	1/2009	Smith et al.
D610,172	S	2/2010	Yukino et al.
7,686,532	B2	3/2010	Kimble
7,690,880	B2 *	4/2010	Honeyman et al. 414/723

7,814,689	B2	10/2010	Vering et al.
7,836,616	B2	11/2010	Esser et al.
2007/0245603	A1	10/2007	Vering et al.
2008/0141566	A1	6/2008	Esser et al.
2009/0051163	A1	2/2009	Frey et al.
2009/0304486	A1	12/2009	Bricker et al.
2010/0104359	A1	4/2010	Seda et al.

OTHER PUBLICATIONS

Volvo Wheel Loader L60F, L70F, L90F, brochure, Nov. 2007, 36 pages, Volvo Construction Equipment, published in the USA.

Volvo-Style MLE Master Coupler, brochure, ACS Industries, Inc., 1 page.

Quick Coupler Systems for Loader, brochure, ACS Industries, Inc., 3 pages.

* cited by examiner

Primary Examiner — Mark Goodwin

(74) *Attorney, Agent, or Firm* — Shannon V. McCue; Mark A. Watkins; Hahn Loeser & Parks LLP

(57) **CLAIM**

The ornamental design for a coupler, as shown and described.

DESCRIPTION

FIG. 1 is a rear perspective view of a coupler showing my new design;

FIG. 2 is a front perspective view thereof;

FIG. 3 is a rear elevational view thereof;

FIG. 4 is a front elevational view thereof;

FIG. 5 is a top plan view thereof;

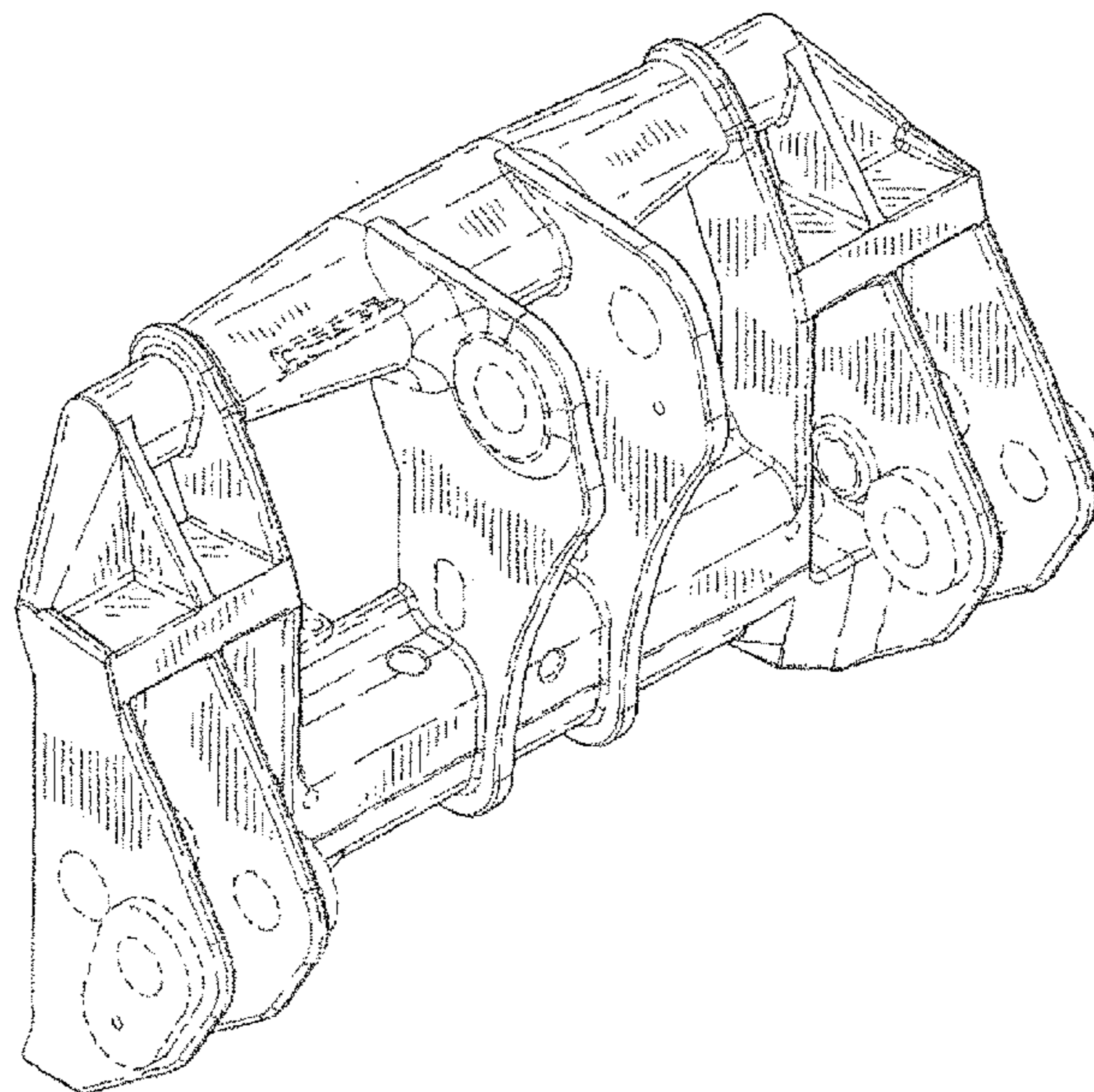
FIG. 6 is a bottom plan view thereof;

FIG. 7 is a left side elevational view thereof; and,

FIG. 8 is a right side elevational view thereof.

The broken line showing of multiple surface features is included for the purpose of illustrating environmental structure and forms no part of the claimed design.

1 Claim, 4 Drawing Sheets



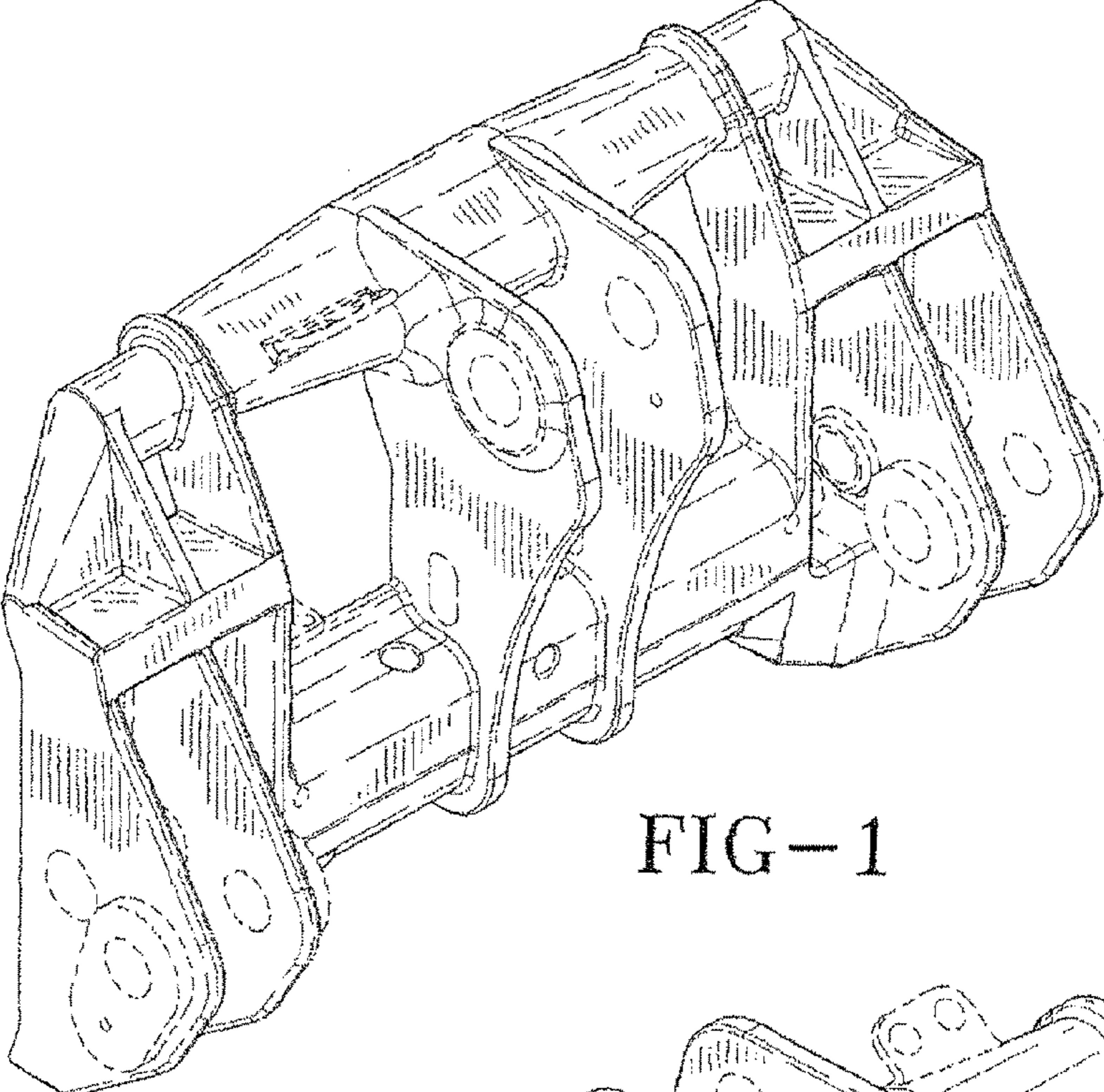


FIG-1

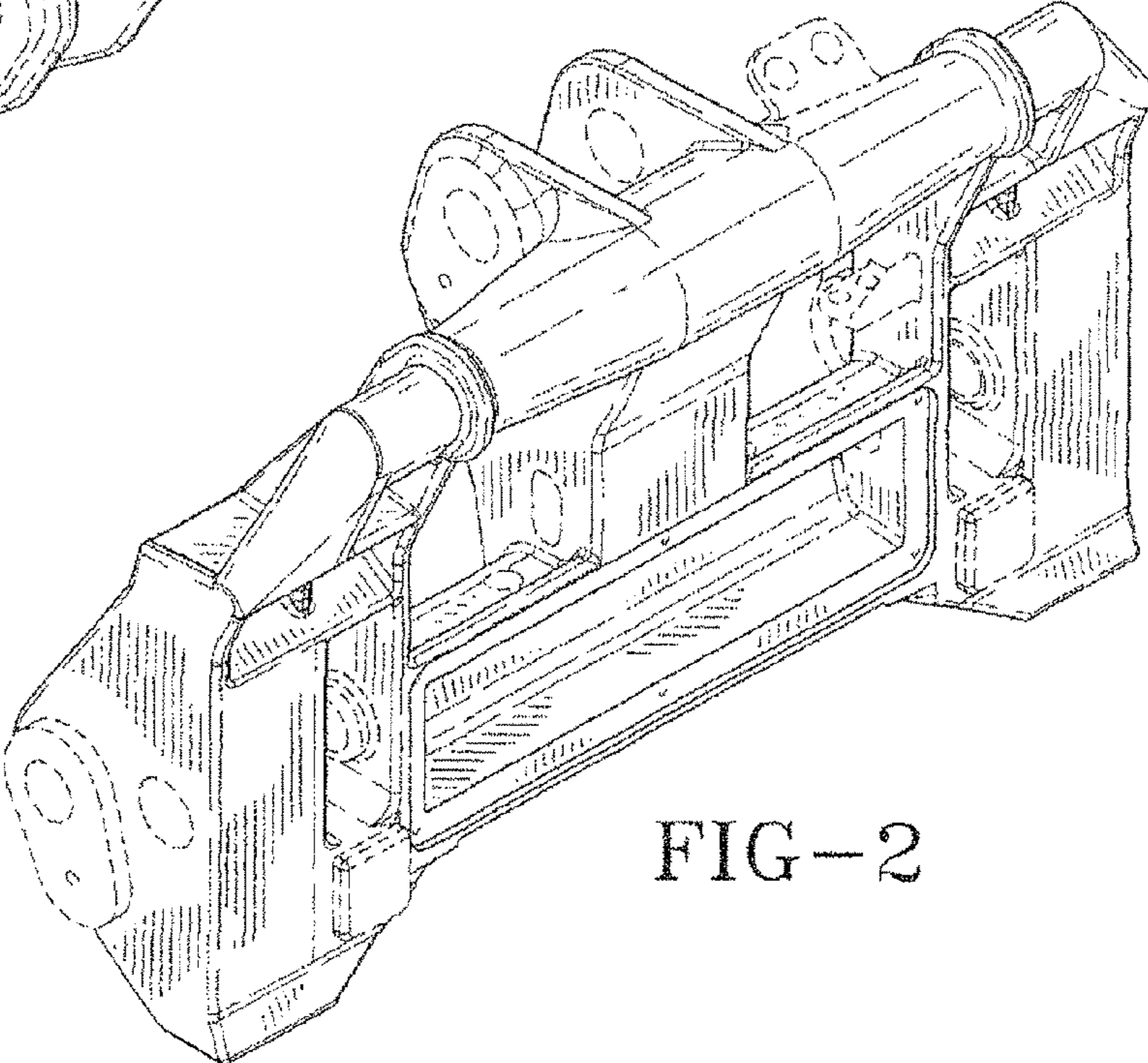


FIG-2

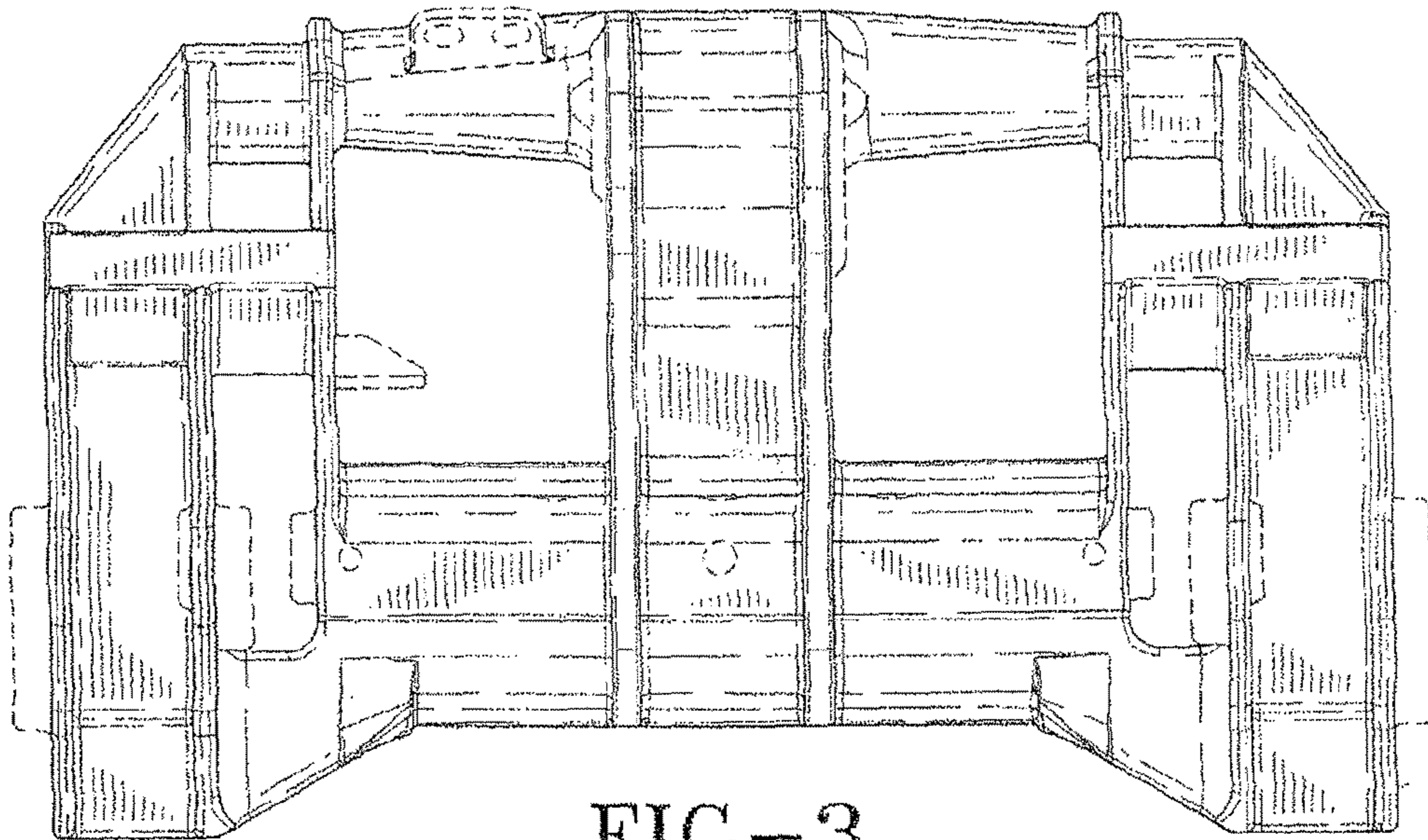


FIG-3

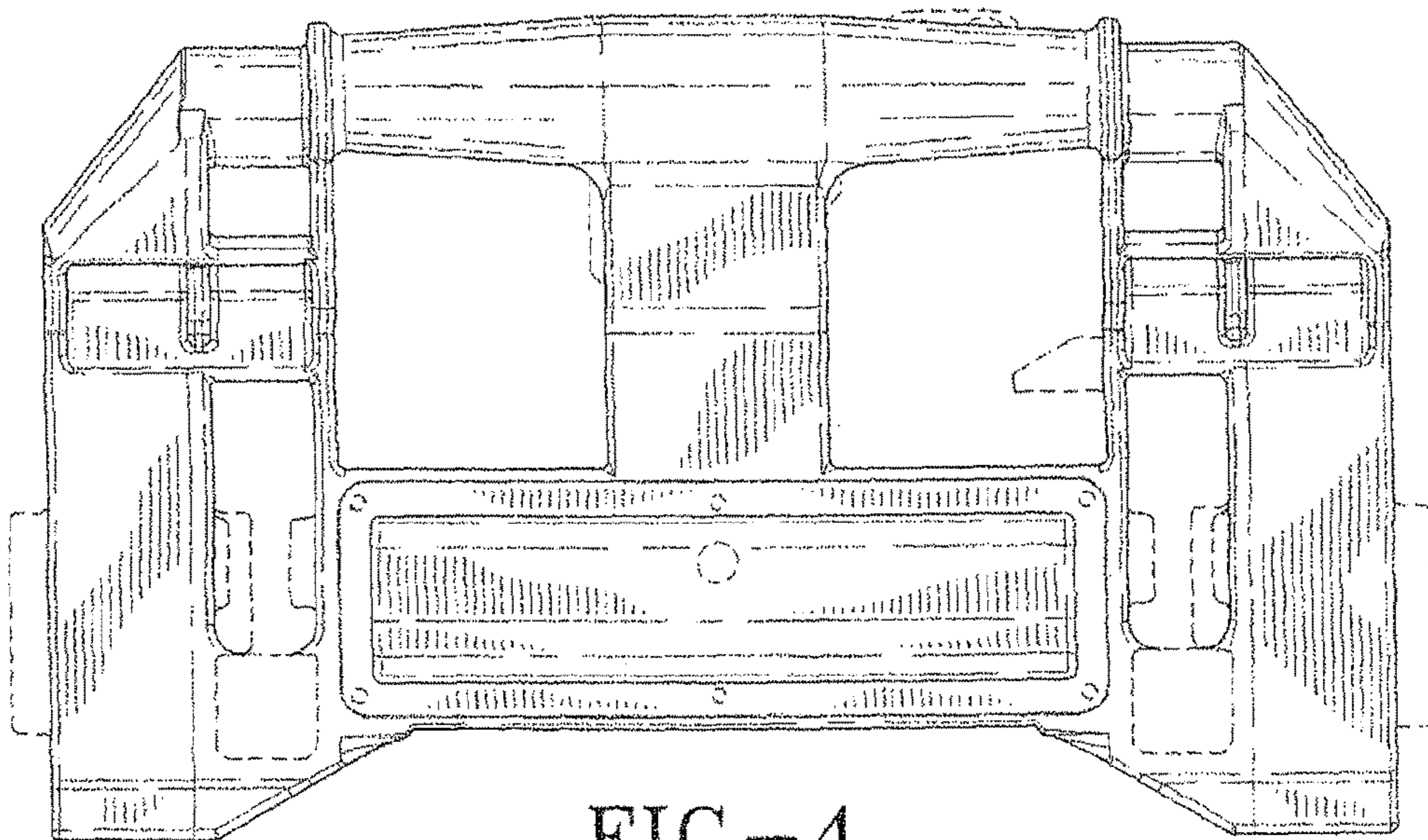


FIG-4

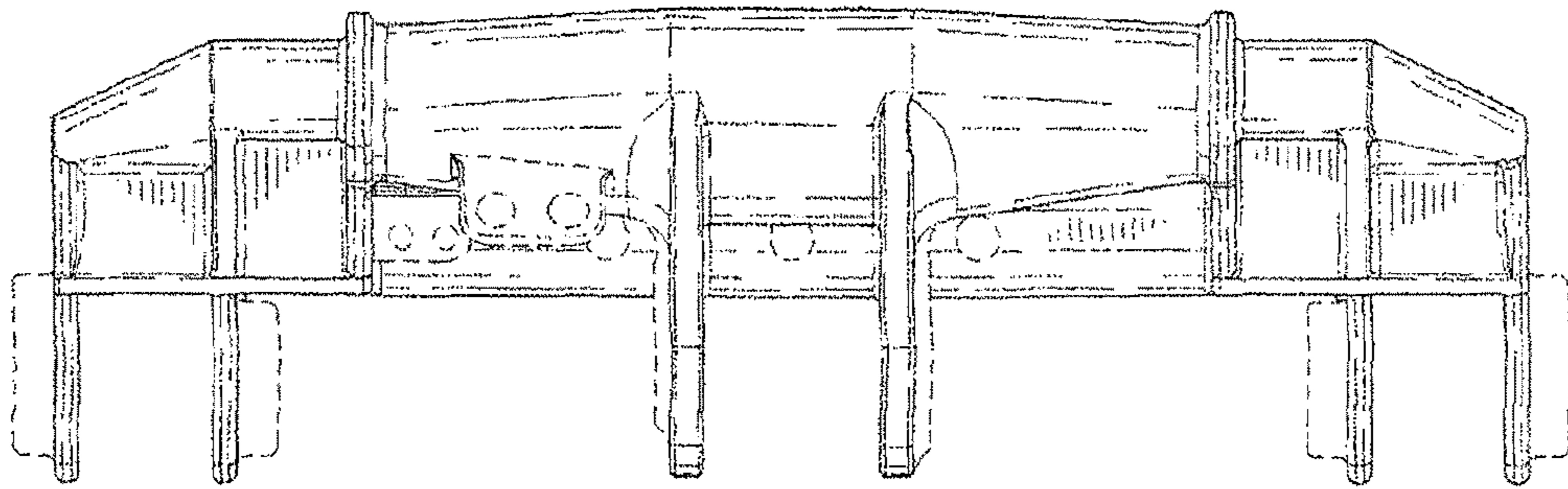


FIG-5

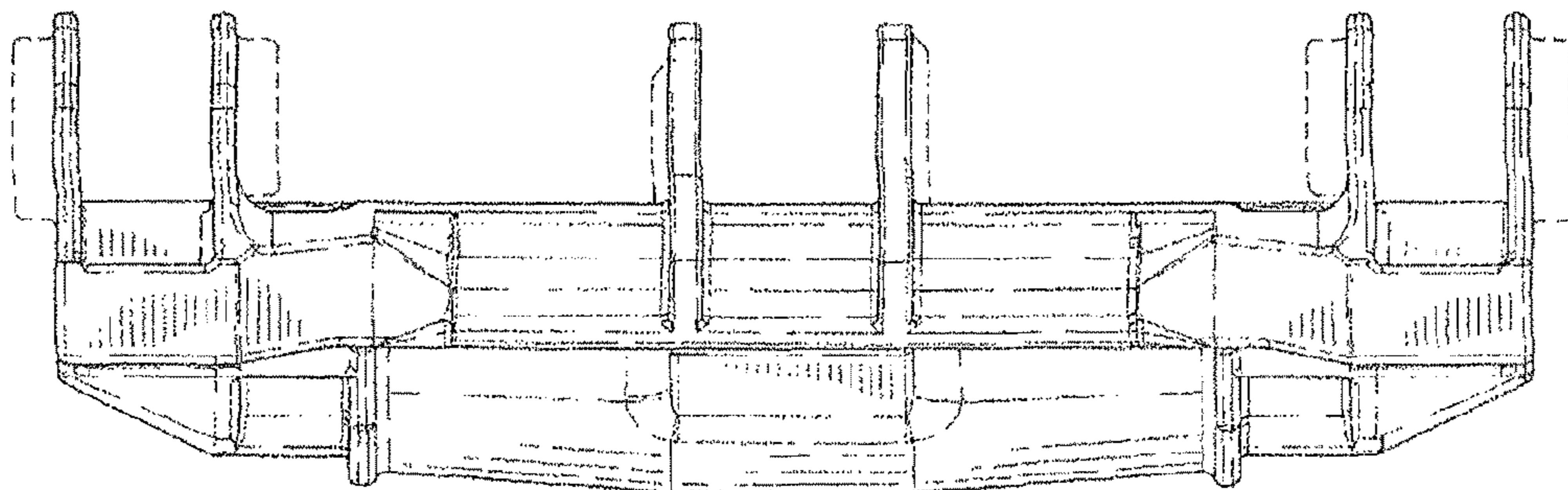


FIG-6

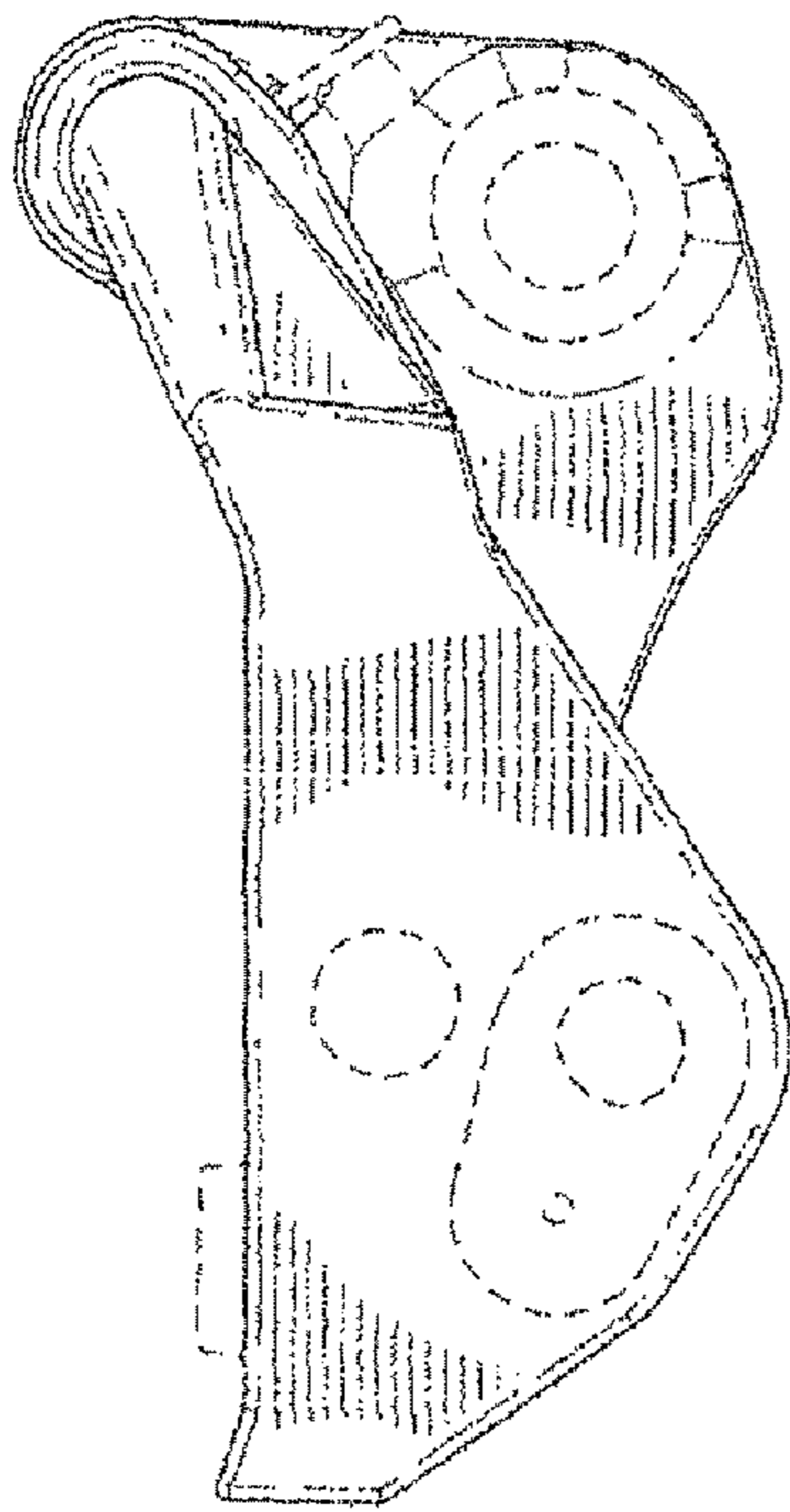


FIG-7

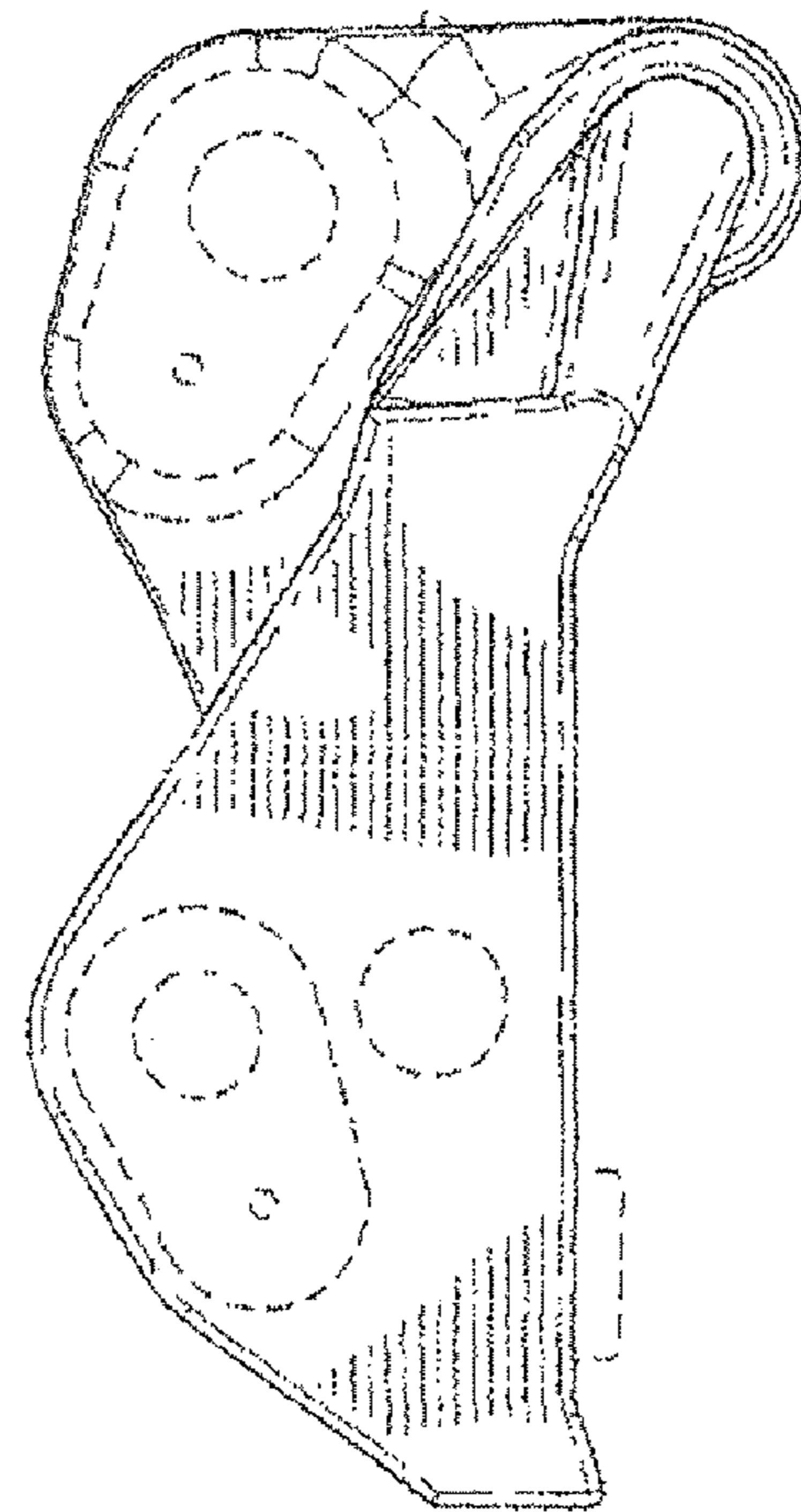


FIG-8