



US00D645060S

(12) **United States Design Patent**  
**Hiramatsu et al.**

(10) **Patent No.:** **US D645,060 S**

(45) **Date of Patent:** **\*\* Sep. 13, 2011**

(54) **GEAR CASE FOR A POWER LAWN MOWER**

(75) Inventors: **Shinya Hiramatsu**, Okayama (JP);  
**Takayuki Fujiwara**, Okayama (JP)

(73) Assignee: **Kaaz Corporation**, Okayama-Ken (JP)

(\*\*) Term: **14 Years**

(21) Appl. No.: **29/372,105**

(22) Filed: **Oct. 15, 2010**

(30) **Foreign Application Priority Data**

Apr. 16, 2010 (JP) ..... 2010-009649

(51) **LOC (9) Cl.** ..... **15-03**

(52) **U.S. Cl.** ..... **D15/17; D15/5; D15/148; D15/149**

(58) **Field of Classification Search** ..... D15/5,  
D15/17, 148, 149; D8/499; D12/124; 123/198 E;  
60/325; 74/425, 66 A, 66 R

See application file for complete search history.

(56) **References Cited**

**U.S. PATENT DOCUMENTS**

D31,944 S *	12/1899	Baker	.....	D15/17
D38,336 S *	12/1906	Stanton	.....	D15/17
D38,337 S *	12/1906	Stanton	.....	D15/17
D38,338 S *	12/1906	Stanton	.....	D15/17
D38,339 S *	12/1906	Stanton	.....	D15/17
D38,340 S *	12/1906	Stanton	.....	D15/17
D38,341 S *	12/1906	Stanton	.....	D15/17

D116,554 S *	9/1939	Drake	.....	D15/149
D324,866 S *	3/1992	Pleet et al.	.....	D15/5
D339,142 S *	9/1993	Middlebrook	.....	D15/5
D490,828 S *	6/2004	Lindsay et al.	.....	D15/149
7,032,555 B2 *	4/2006	Francis	.....	123/90.6
7,383,683 B1 *	6/2008	Rawski	.....	60/487
7,777,444 B2 *	8/2010	Kawakami	.....	318/822
7,878,874 B2 *	2/2011	Gruenwald	.....	440/75
7,886,400 B2 *	2/2011	Ota	.....	15/250.3

\* cited by examiner

*Primary Examiner* — Mark Goodwin

(74) *Attorney, Agent, or Firm* — DLA Piper LLP (US)

(57) **CLAIM**

The ornamental design for a gear case for a power lawn mower, as shown and described.

**DESCRIPTION**

FIG. 1 is a front elevational view of the gear case for a power lawn mower showing our new design; FIG. 2 is a rear elevational view thereof; FIG. 3 is a left side elevational view thereof; FIG. 4 is a right side elevational view thereof; FIG. 5 is a top plan view thereof; FIG. 6 is a bottom plan view thereof; and, FIG. 7 is a perspective view taken from the front, top and right side of the gear case for a power lawn mower.

**1 Claim, 7 Drawing Sheets**

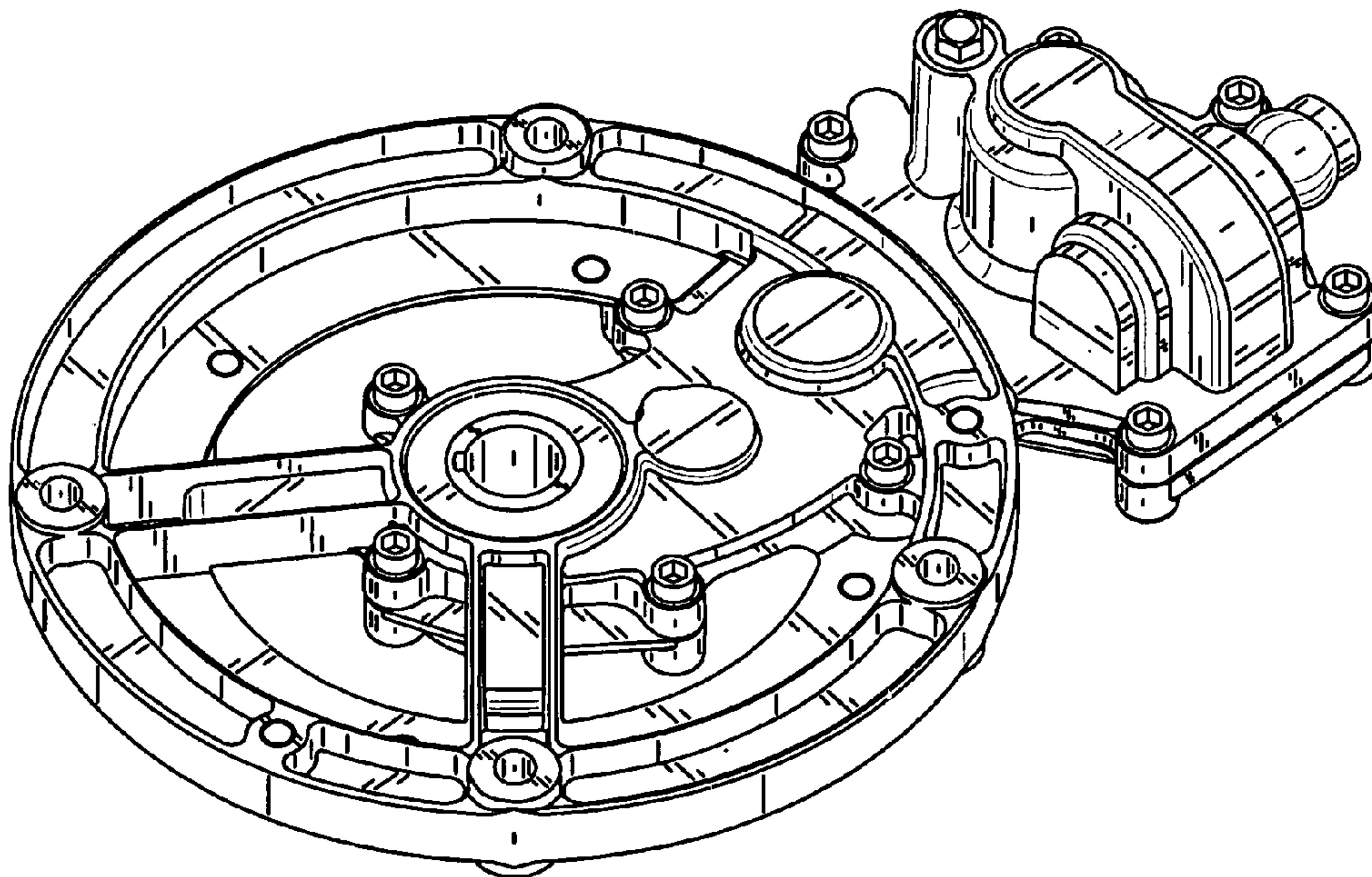


Fig. 1

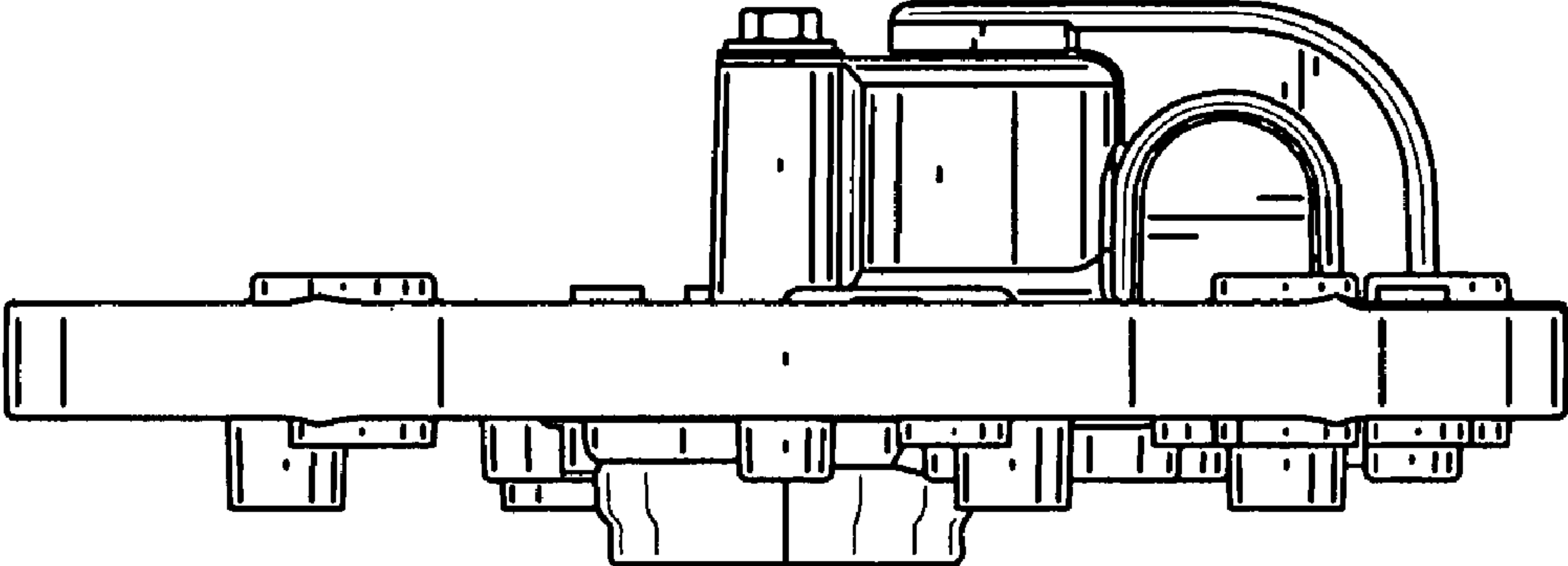


Fig. 2

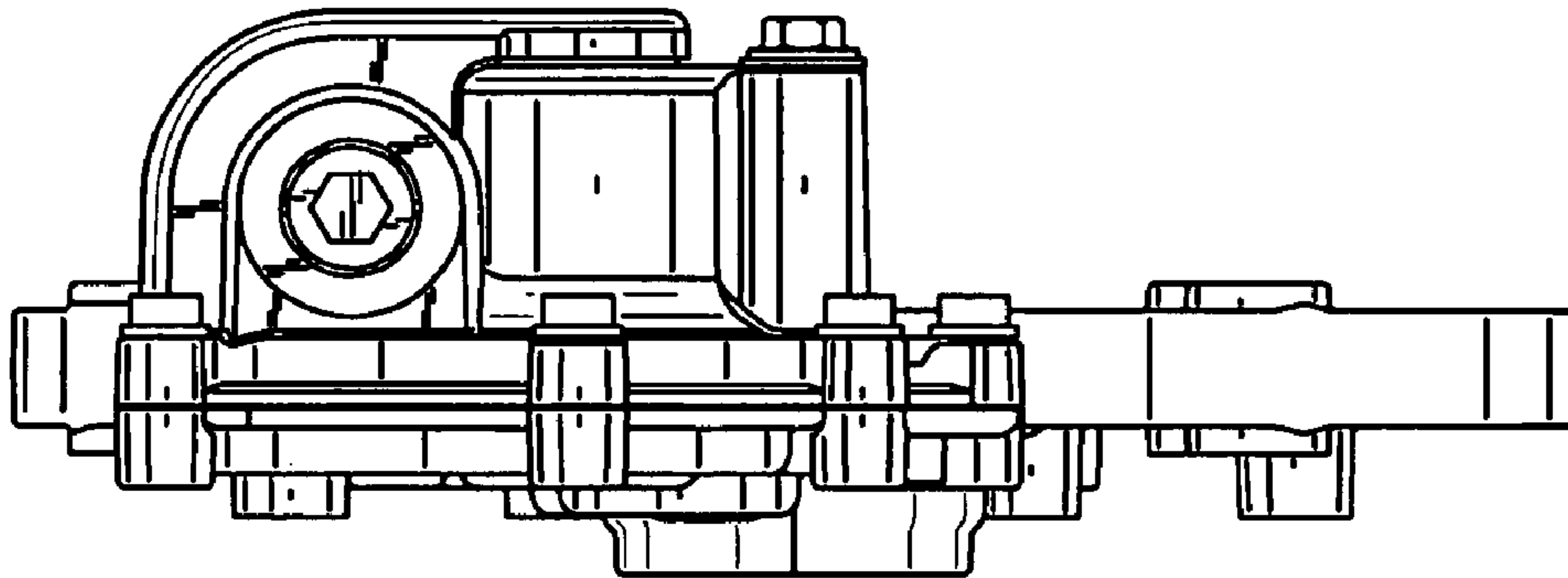


Fig. 3

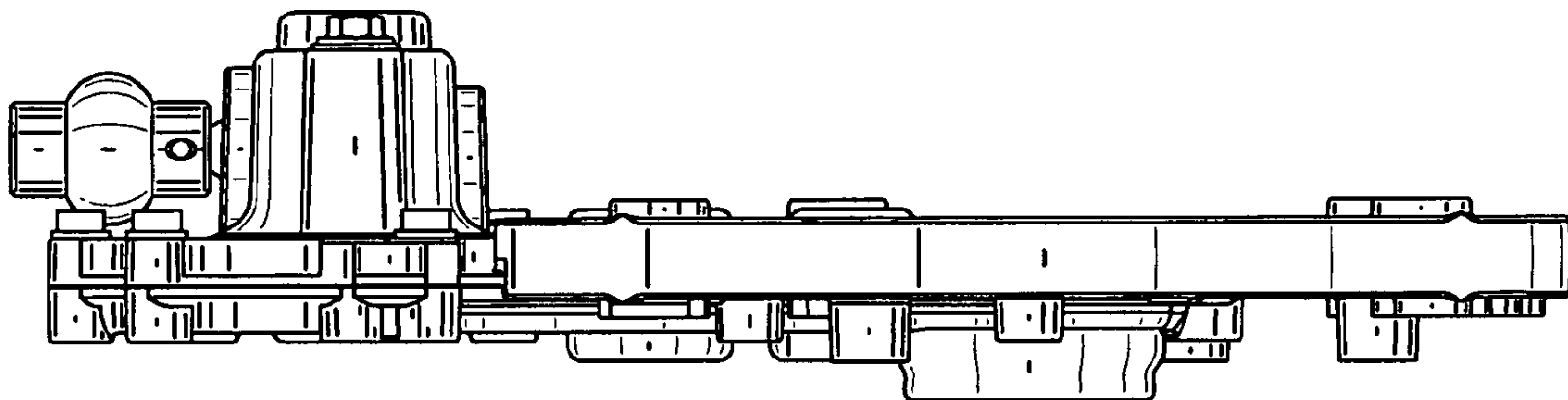


Fig. 4

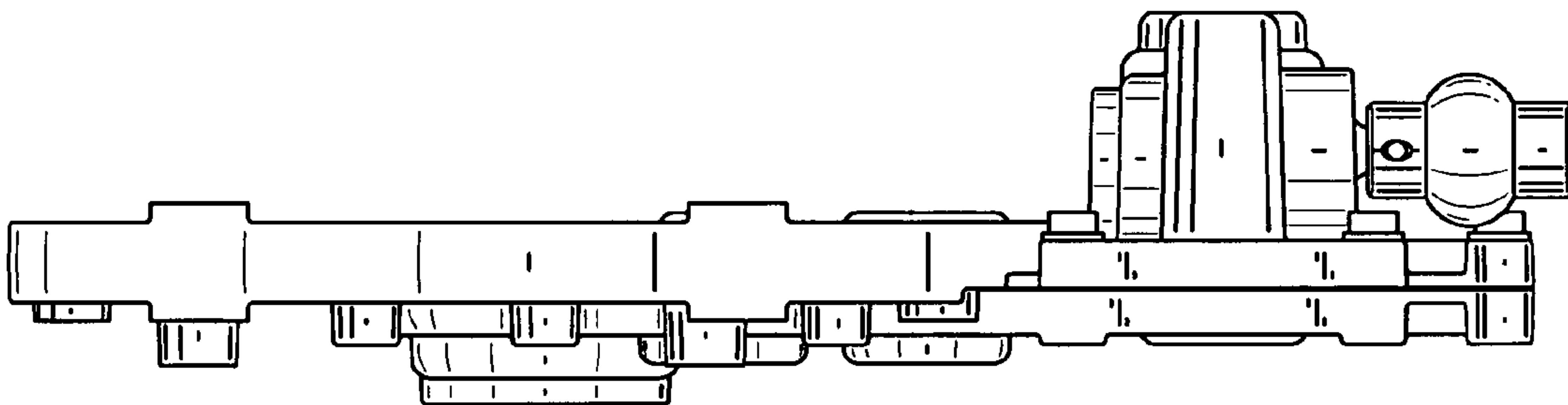


Fig. 5

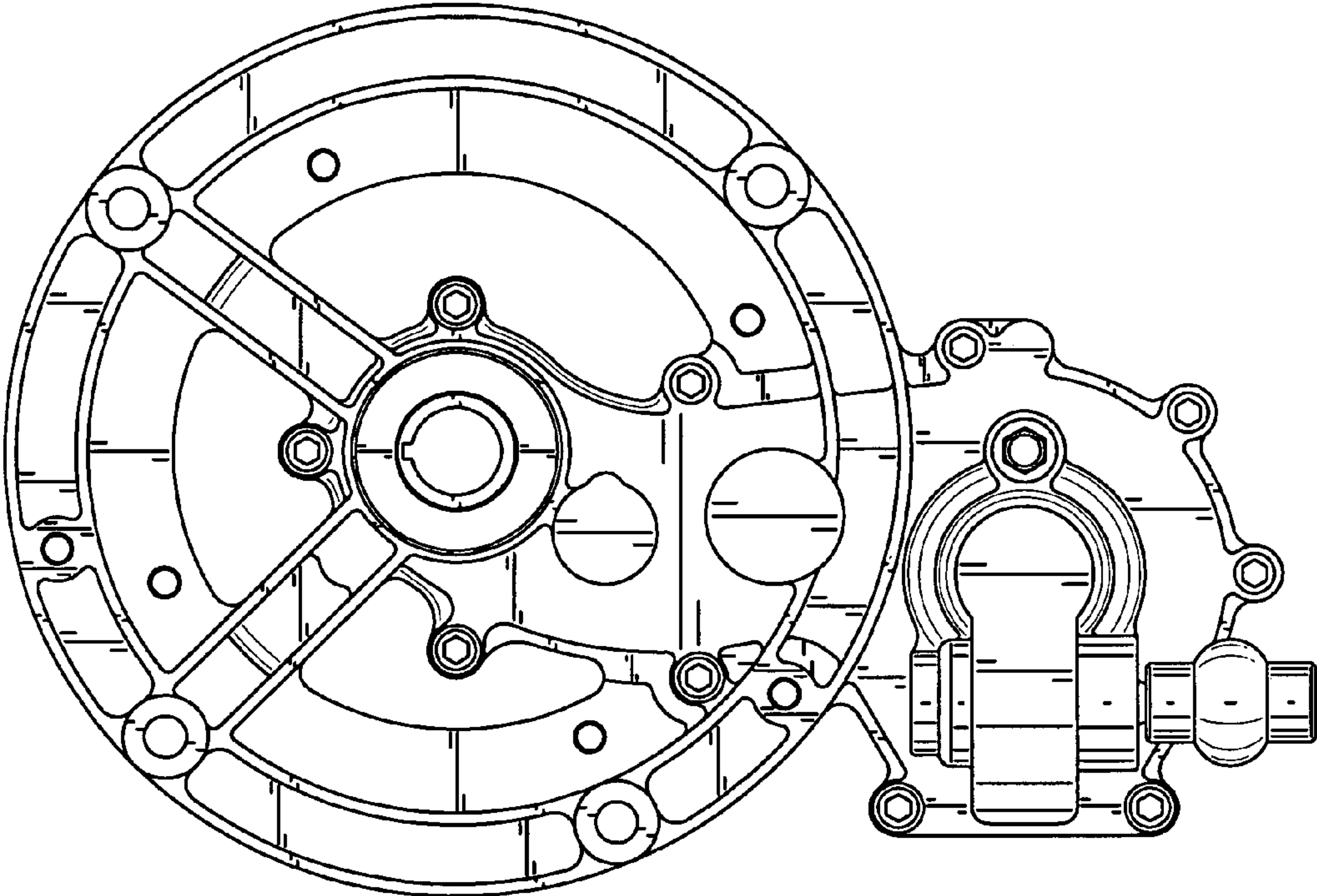




Fig. 6

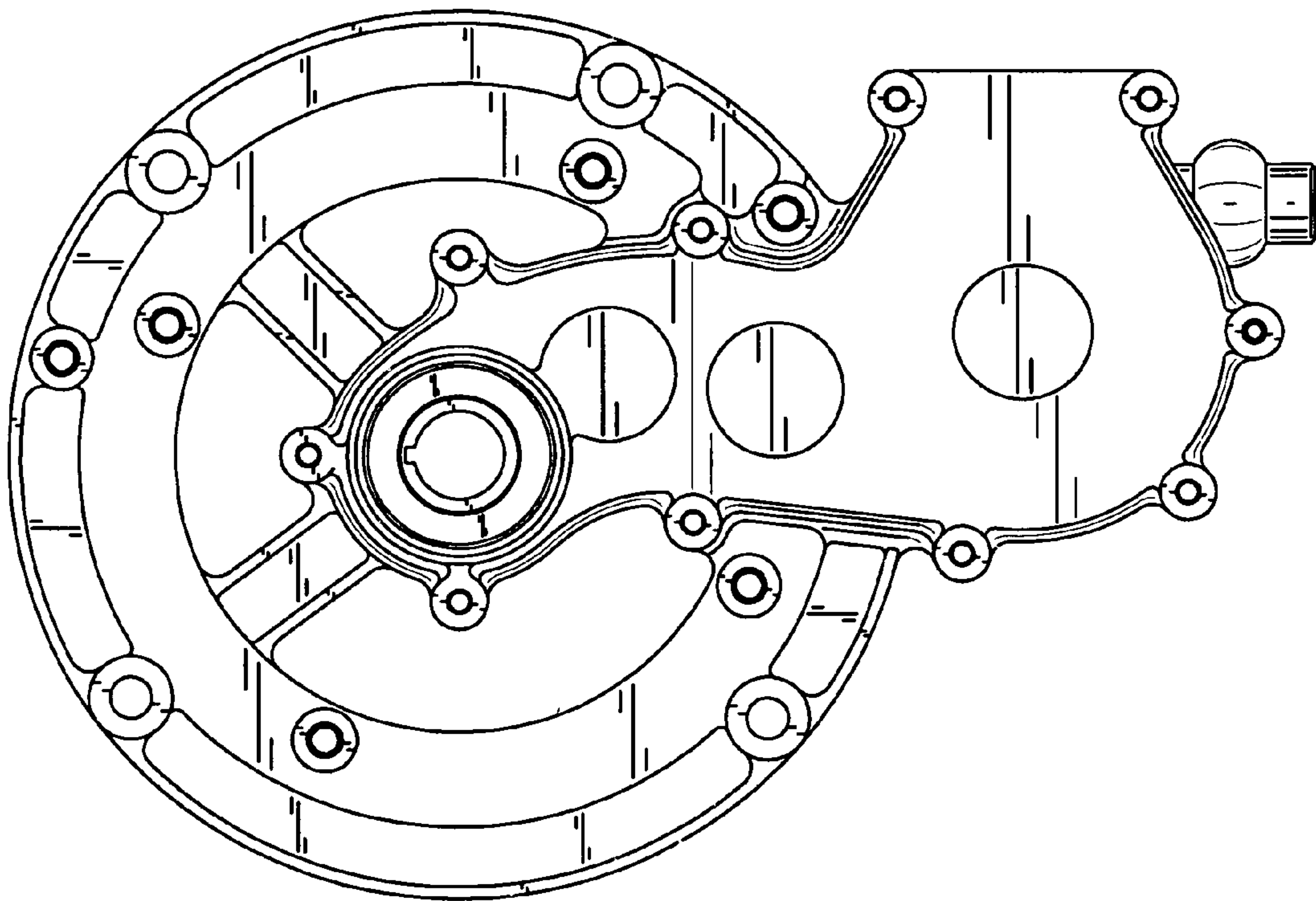


Fig. 7

