

US00D645059S

(12) **United States Design Patent**  
**Hernandez**

(10) **Patent No.:** **US D645,059 S**

(45) **Date of Patent:** **\*\* Sep. 13, 2011**

(54) **MULTIPLE DIAL CONSOLE**

D589,065 S \* 3/2009 Leasure et al. .... D15/9  
D589,066 S \* 3/2009 Leasure et al. .... D15/9  
D636,409 S \* 4/2011 Wilmes et al. .... D15/9

(75) Inventor: **Hector R. Hernandez**, Fullerton, CA  
(US)

\* cited by examiner

(73) Assignee: **Alltrade Tools LLC**, Long Beach, CA  
(US)

*Primary Examiner* — Ralf Seifert

(74) *Attorney, Agent, or Firm* — Fulwider Patton LLP

(\*\*) Term: **14 Years**

(57) **CLAIM**

The ornamental design for a multiple dial console, as shown and described.

(21) Appl. No.: **29/379,090**

**DESCRIPTION**

(22) Filed: **Nov. 15, 2010**

(51) **LOC (9) Cl.** ..... **15-02**

(52) **U.S. Cl.** ..... **D15/9**

(58) **Field of Classification Search** ..... D15/7-9;  
D23/231, 232, 225; 417/60, 235, 265, 321,  
417/355, 358, 363, 359, 410.1, 415-416,  
417/405, 900; 60/408, 412; 184/26-37;  
415/140-147; 123/495, 509  
See application file for complete search history.

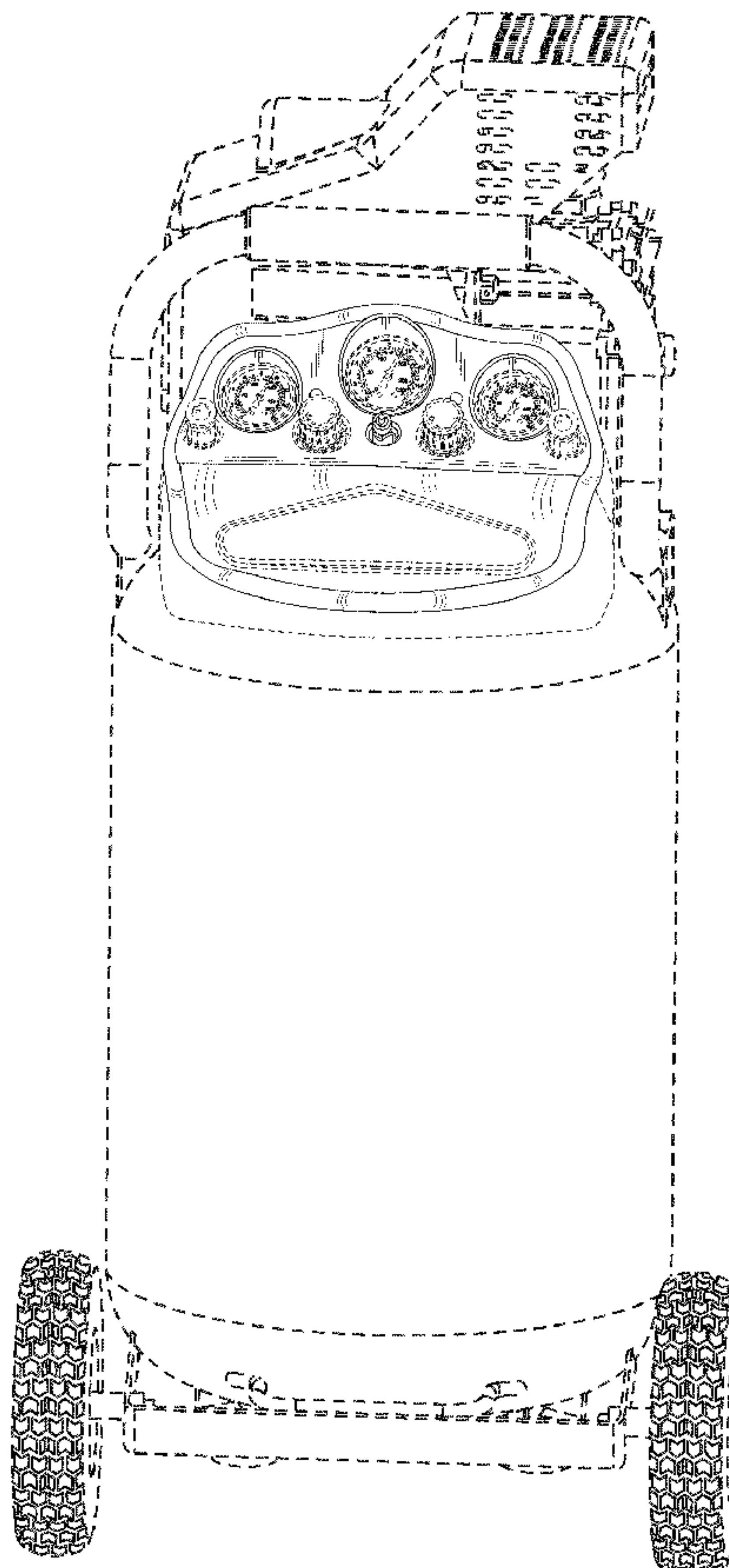
FIG. 1 is a front elevation view showing my new design;  
FIG. 2 is a front elevation view showing my new design to a larger scale than FIG. 1;  
FIG. 3 is a left view thereof;  
FIG. 4 is right side view thereof;  
FIG. 5 is a top view thereof;  
FIG. 6 is a view substantially perpendicular to a face thereof; and,  
FIG. 7 is a perspective view thereof.  
No view is shown of the back or the bottom thereof, as these views form no part of the claimed design.  
The broken lines showing details in the Figures are included for the purpose of showing environmental context of the design, and form no part of the claimed design.

(56) **References Cited**

U.S. PATENT DOCUMENTS

D519,126 S \* 4/2006 Leasure et al. .... D15/9  
D546,840 S \* 7/2007 Sindors et al. .... D15/9  
D562,851 S \* 2/2008 Leasure ..... D15/9

**1 Claim, 7 Drawing Sheets**



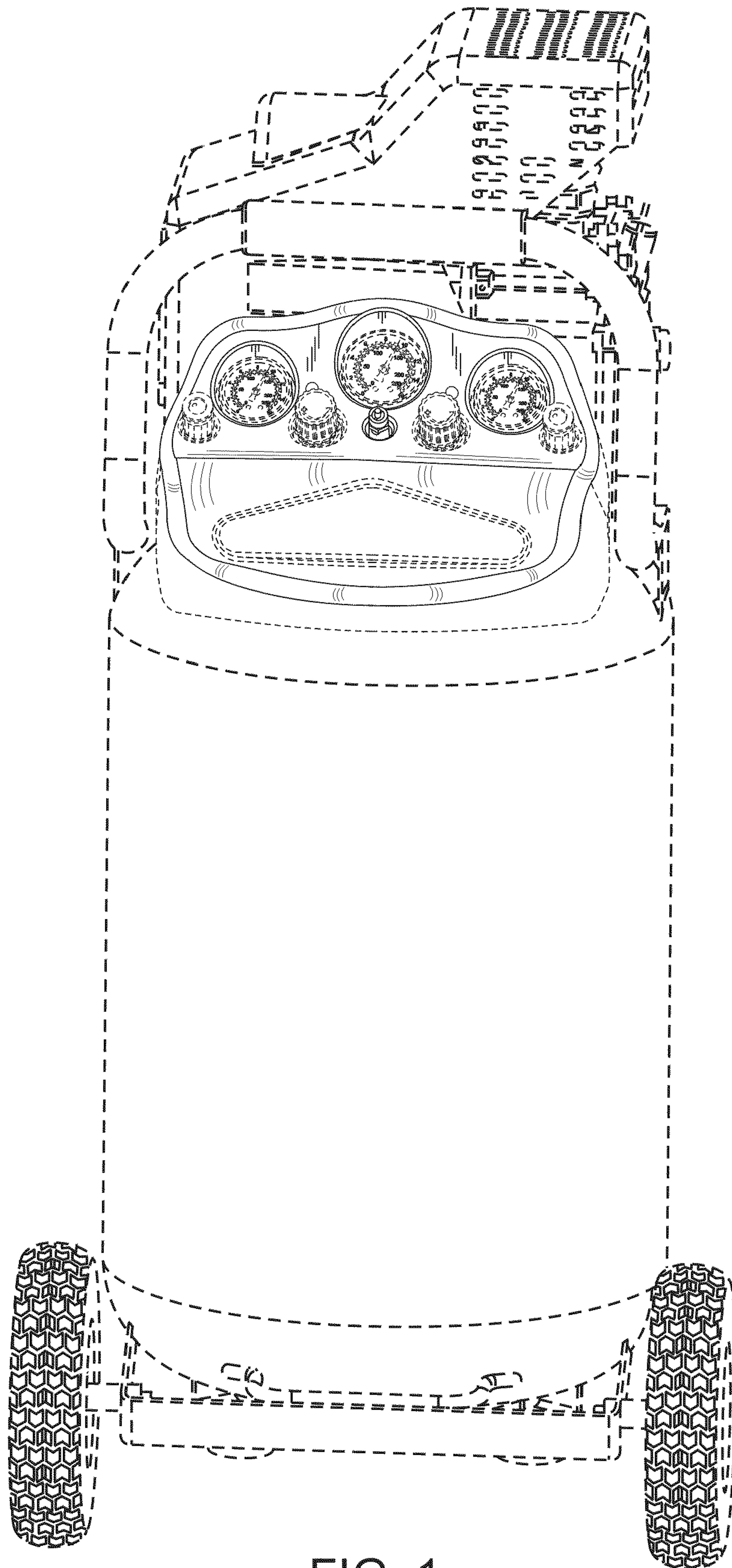


FIG. 1



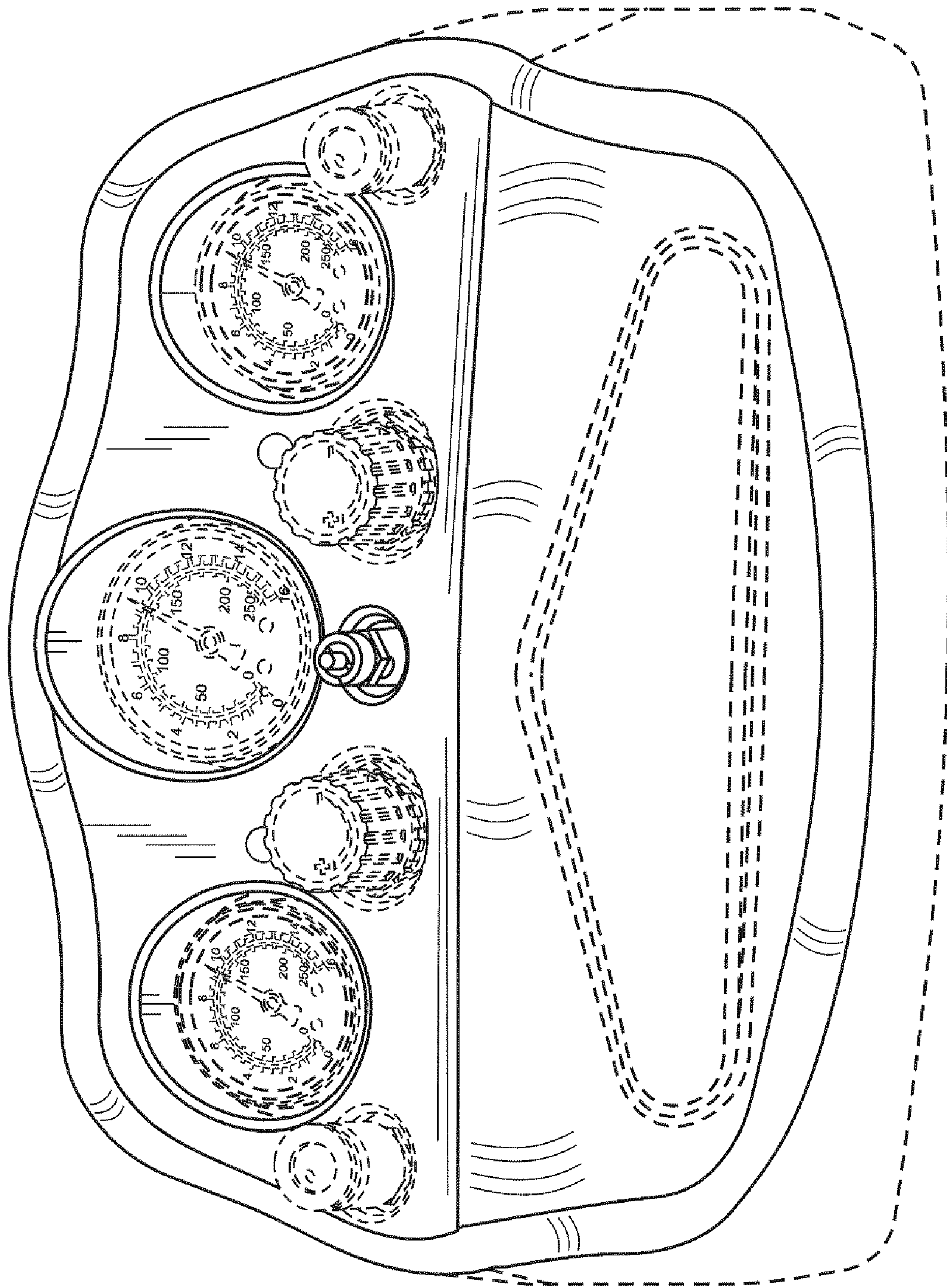


FIG. 2

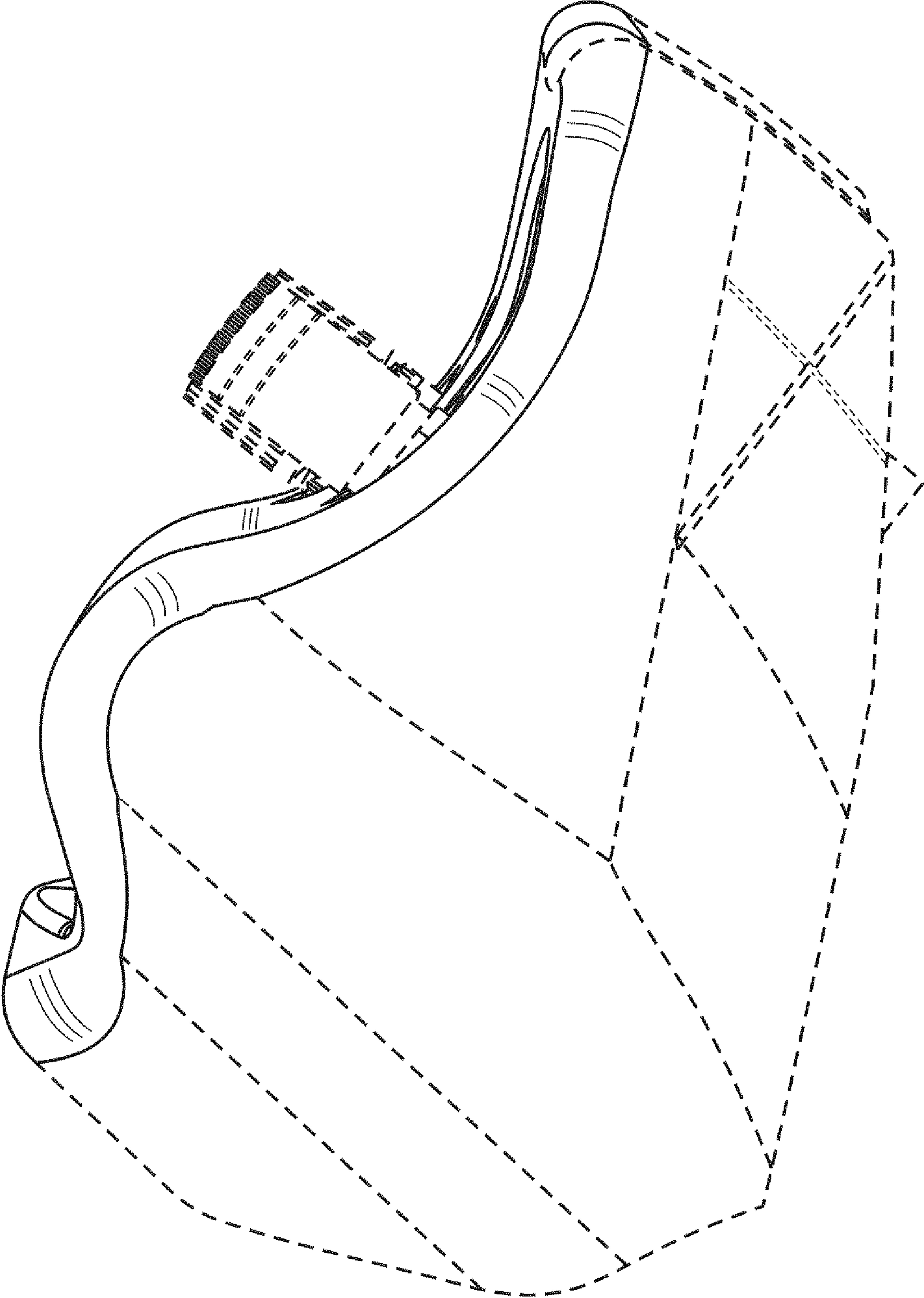


FIG. 3

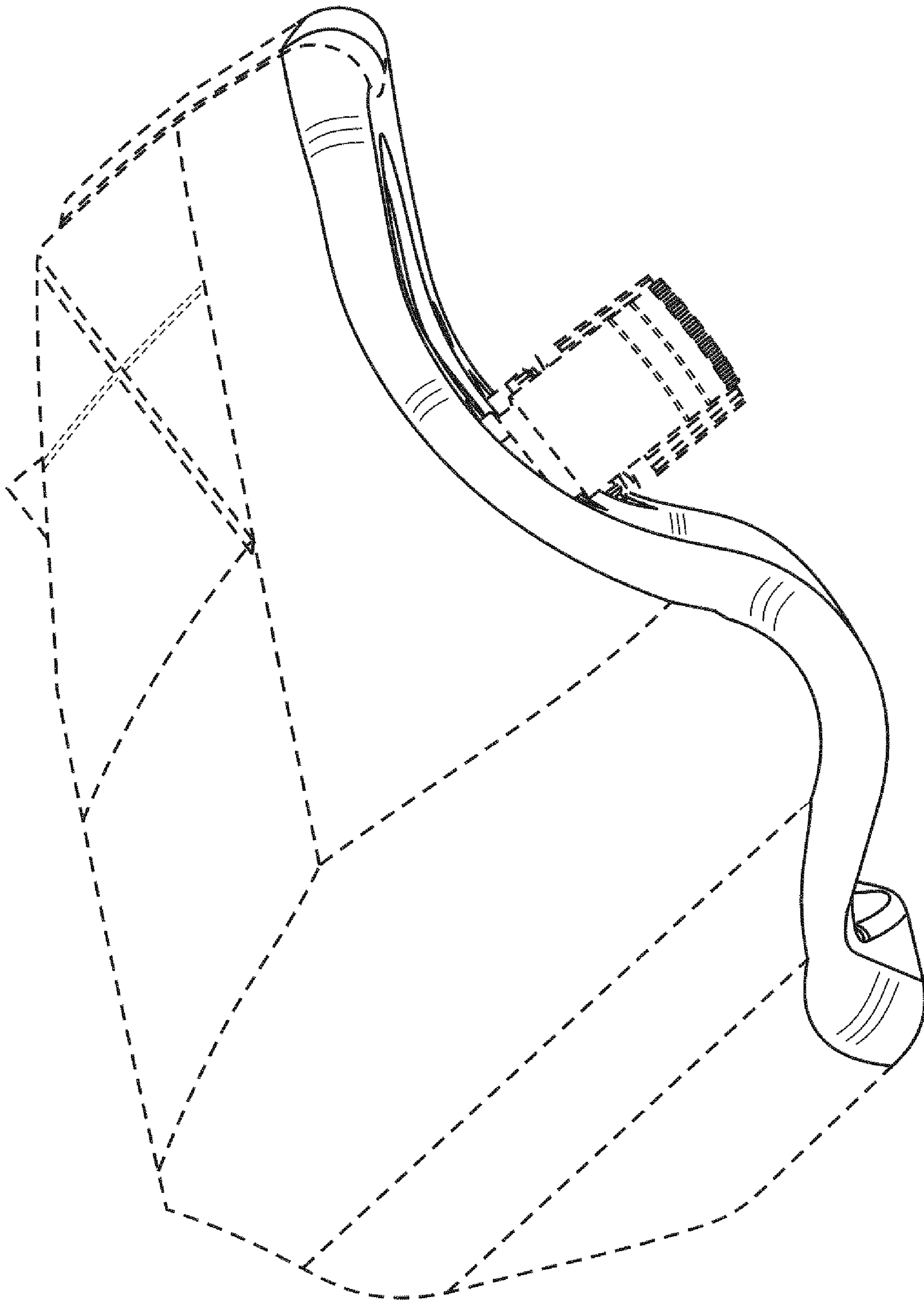


FIG. 4



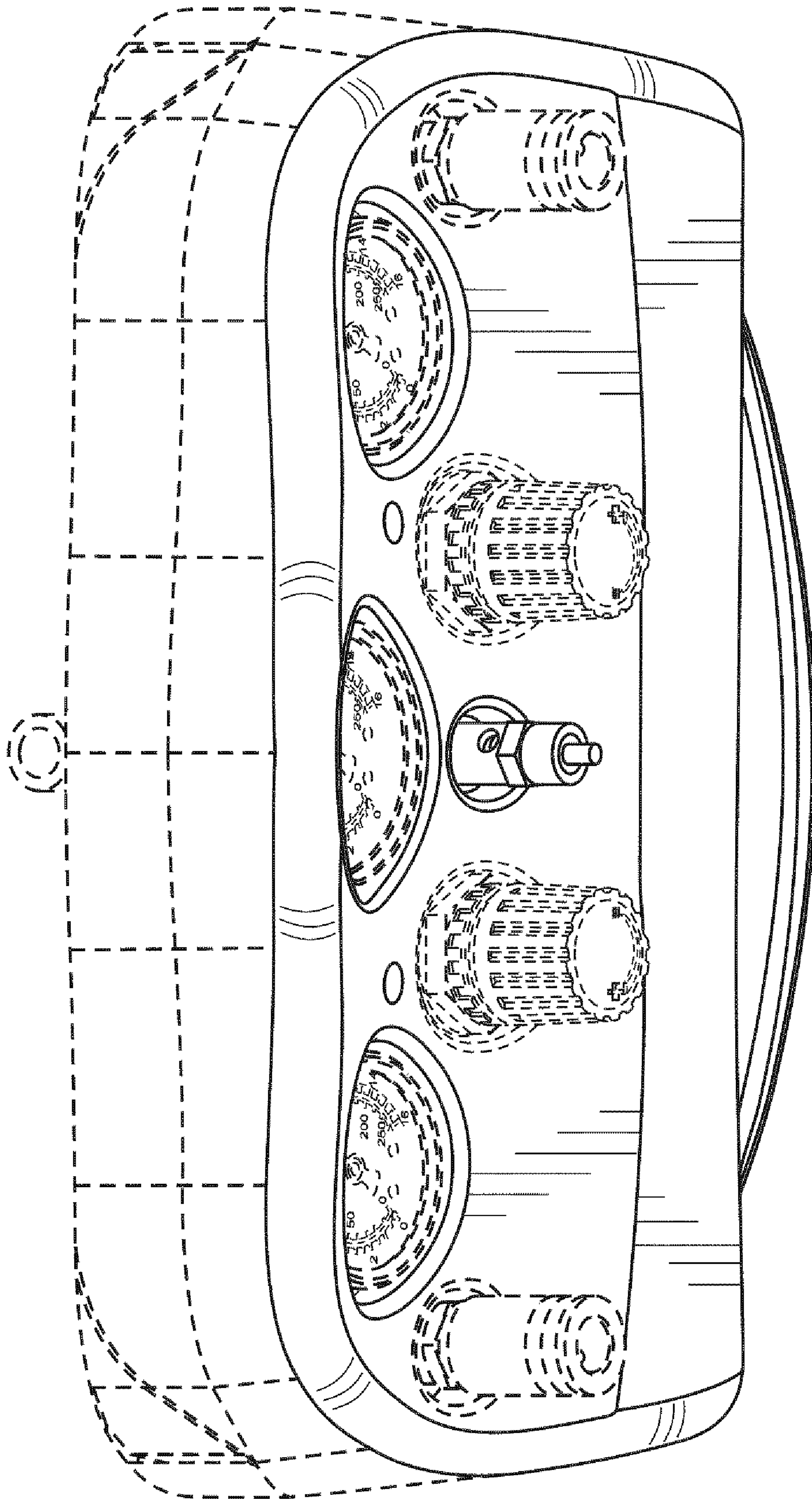


FIG. 5

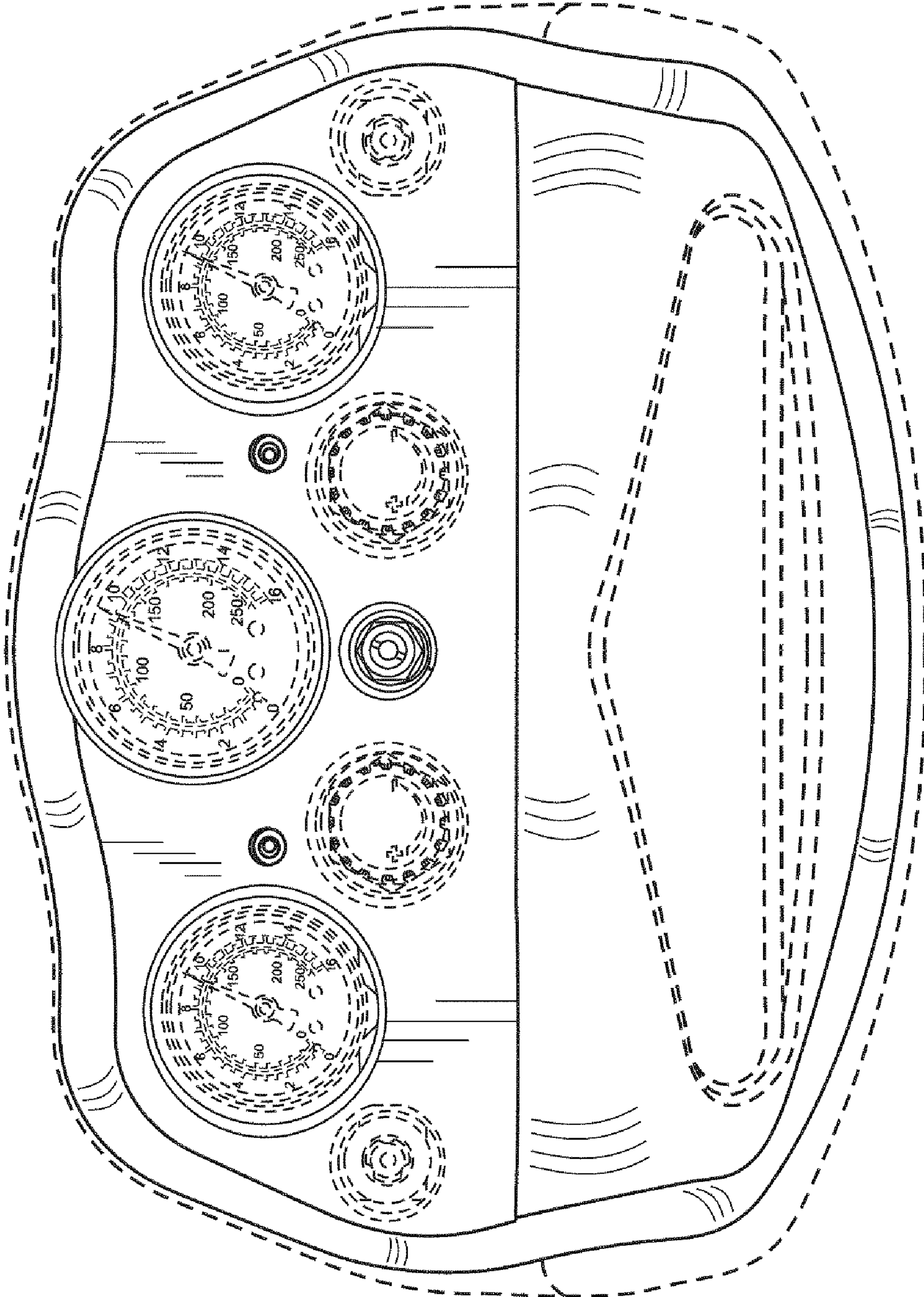


FIG. 6



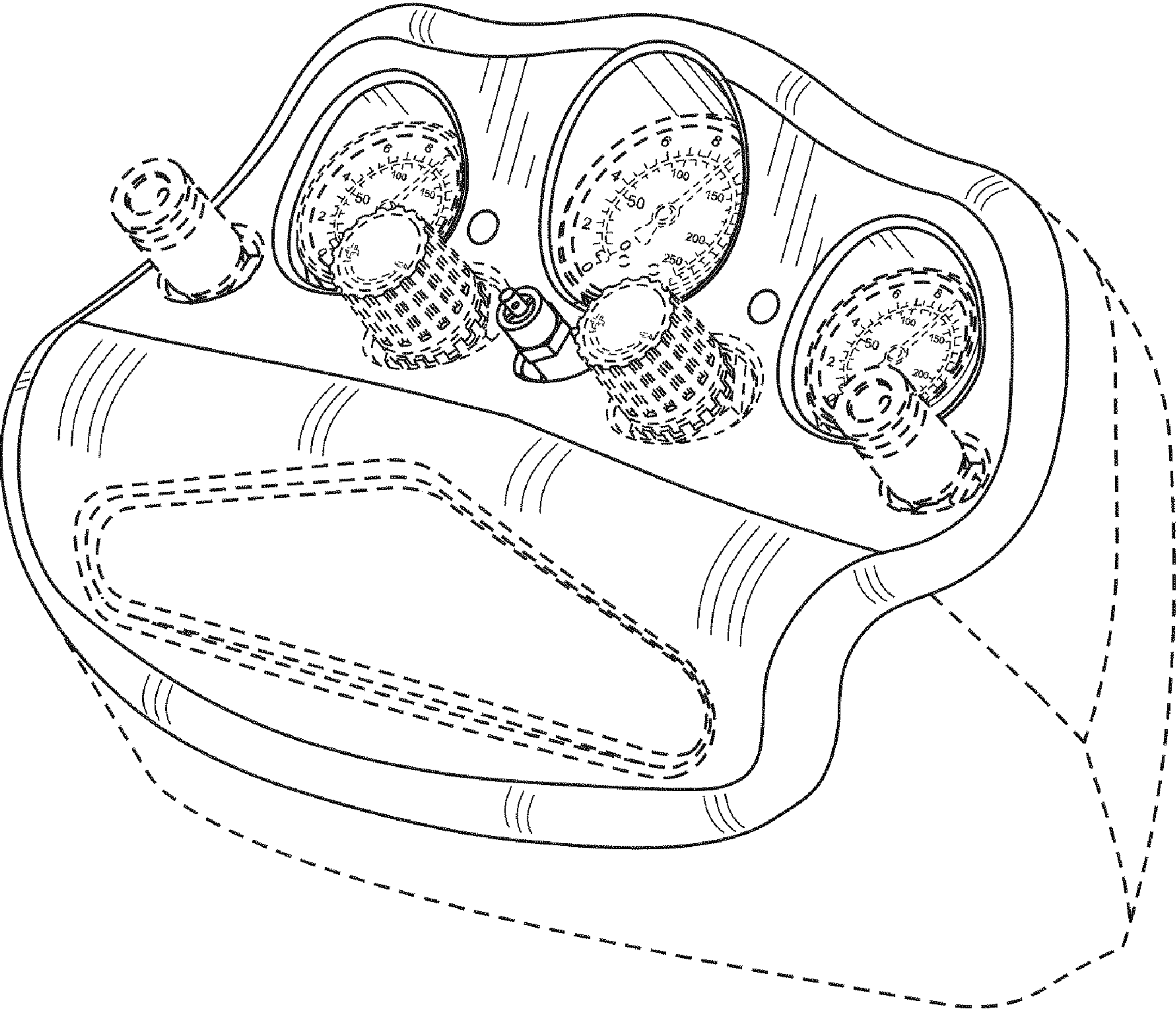


FIG. 7