

US00D645057S

(12) **United States Design Patent**
Benoit

(10) **Patent No.:** **US D645,057 S**

(45) **Date of Patent:** **** Sep. 13, 2011**

(54) **AUTOMOBILE FUEL PUMP**

(75) Inventor: **Marvin Benoit**, Bowling Green, KY
(US)

(73) Assignee: **Quick Fuel Technology**, Bowling
Green, KY (US)

(**) Term: **14 Years**

(21) Appl. No.: **29/372,493**

(22) Filed: **Nov. 29, 2010**

(51) **LOC (9) Cl.** **15-02**

(52) **U.S. Cl.** **D15/9**

(58) **Field of Classification Search** D15/7-9;
D23/231, 232, 225; 417/60, 235, 265, 321,
417/355, 358, 363, 359, 410.1, 415-416,
417/405, 900; 60/408, 412; 184/26-37;
415/140-147; 123/495, 509

See application file for complete search history.

(56) **References Cited**

U.S. PATENT DOCUMENTS

D537,844 S * 3/2007 Chu D15/9
D537,845 S * 3/2007 Shimizu et al. D15/9

D545,326 S * 6/2007 Zellers D15/7
D563,435 S * 3/2008 Charlet D15/7
D582,944 S * 12/2008 Turgut D15/7
D583,391 S * 12/2008 Metcalfe D15/7

* cited by examiner

Primary Examiner — Ralf Seifert

(74) *Attorney, Agent, or Firm* — Portland Intellectual
Property, LLC

(57) **CLAIM**

The ornamental design for an automobile fuel pump, as
shown and described.

DESCRIPTION

FIG. 1 is an isometric view of an automobile fuel pump
showing my new design.

FIG. 2 is a top, plan view thereof.

FIG. 3 is a rear elevation thereof.

FIG. 4 is a right side elevation thereof, the left side being a
mirror image of the right side; and,

FIG. 5 is a front elevation thereof.

The broken line showing of environmental association matter
in FIGS. 1-5 is for illustrative purposes only and forms no part
of the claimed design.

1 Claim, 2 Drawing Sheets

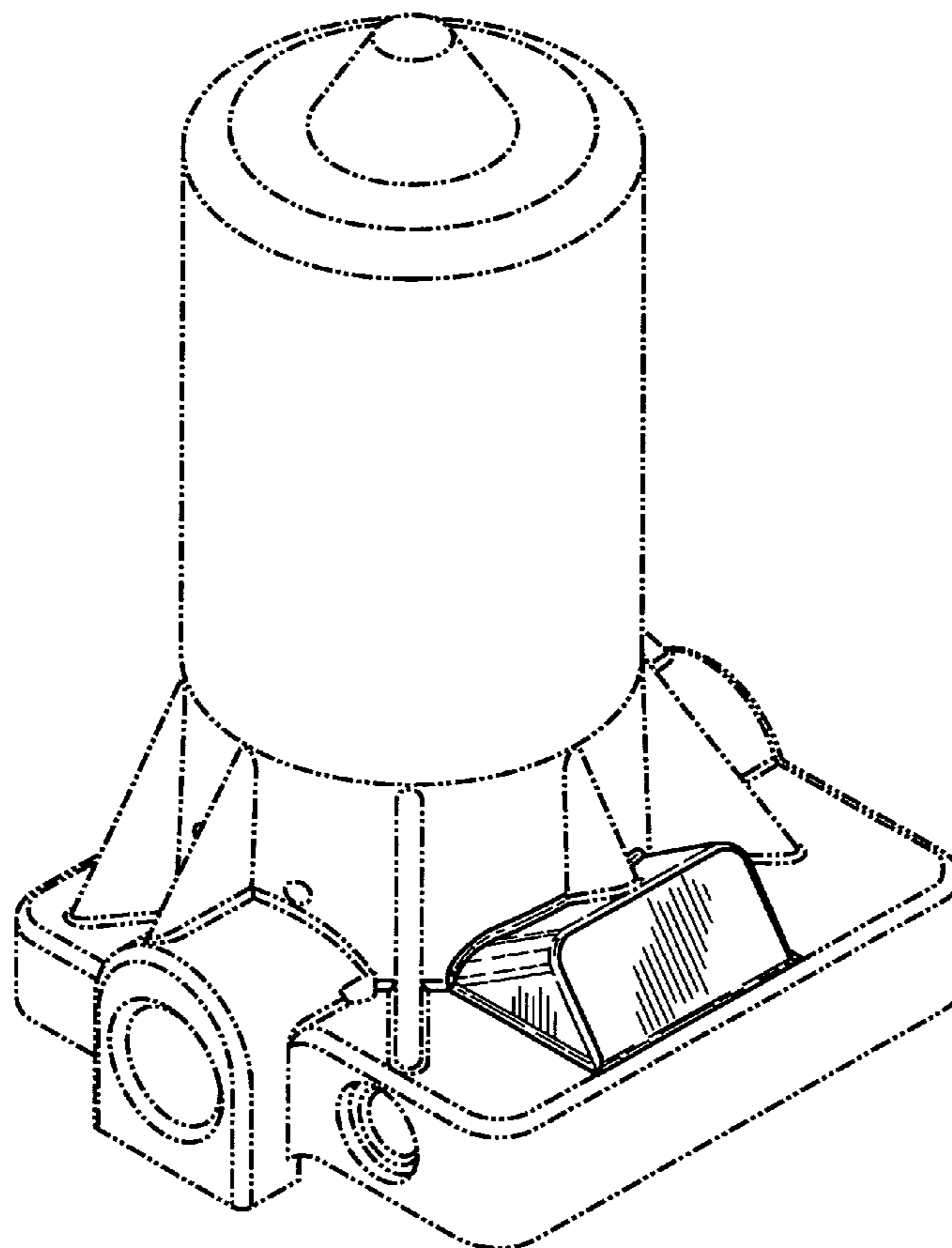


Fig. 1

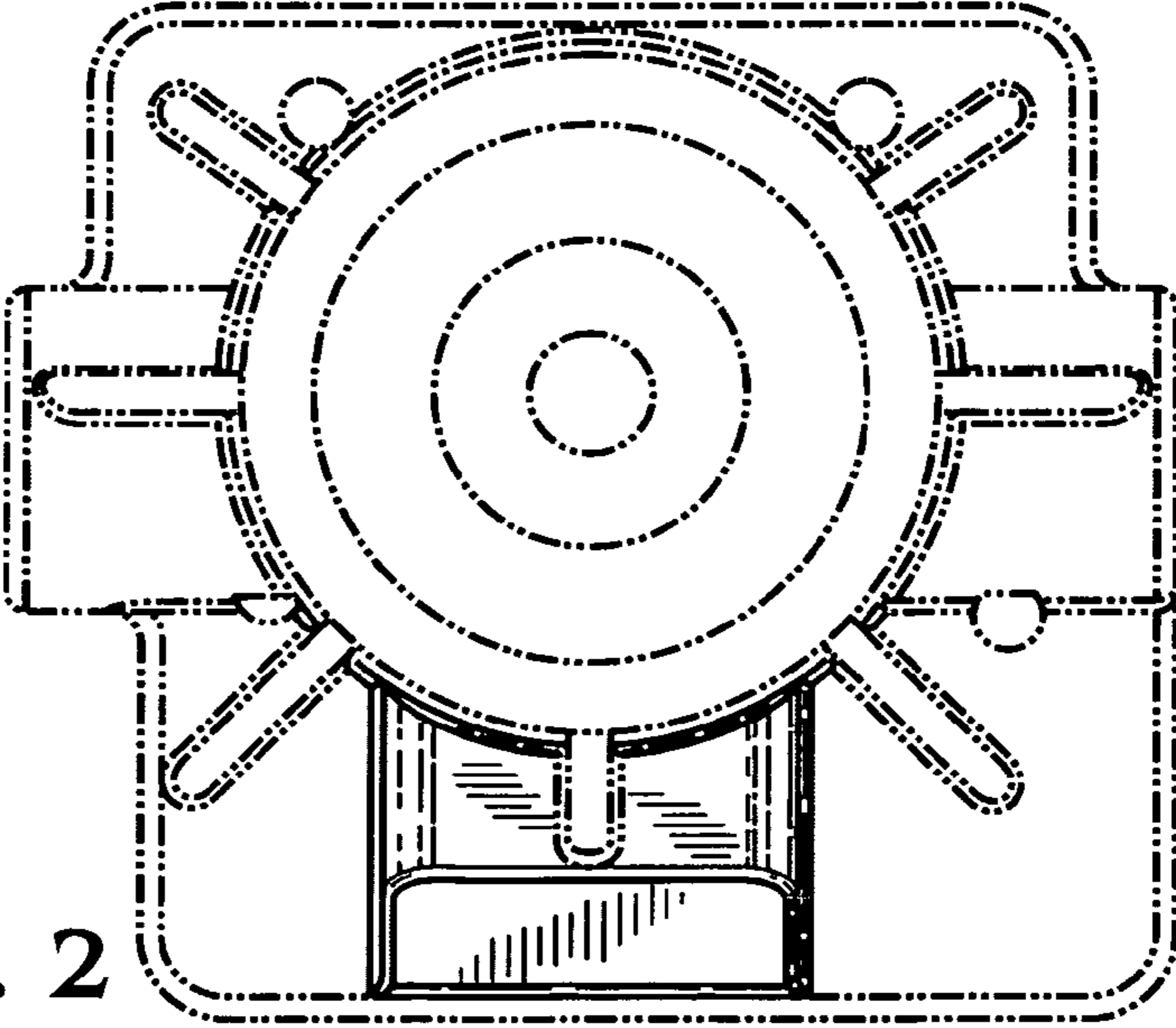
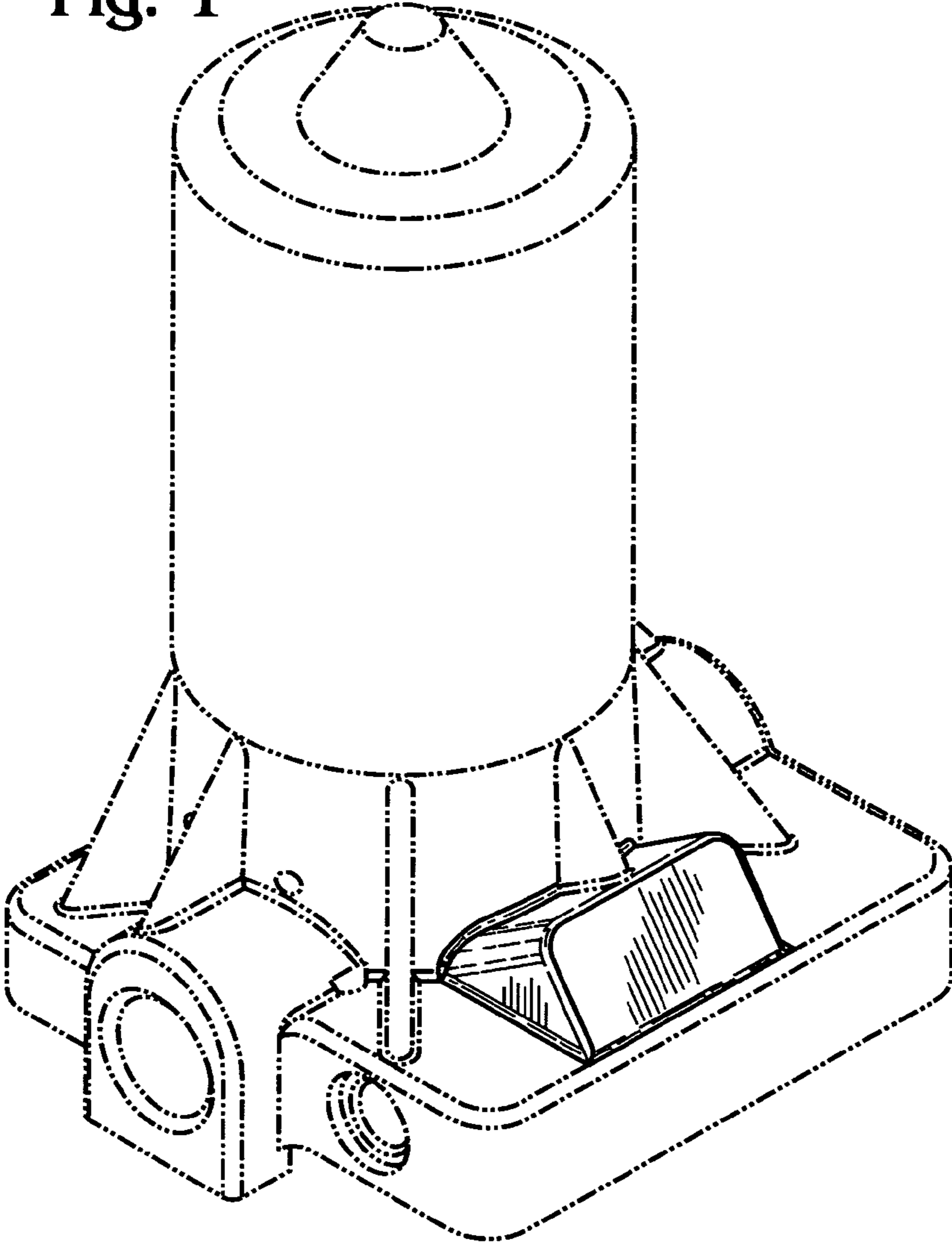


Fig. 2

Fig. 3

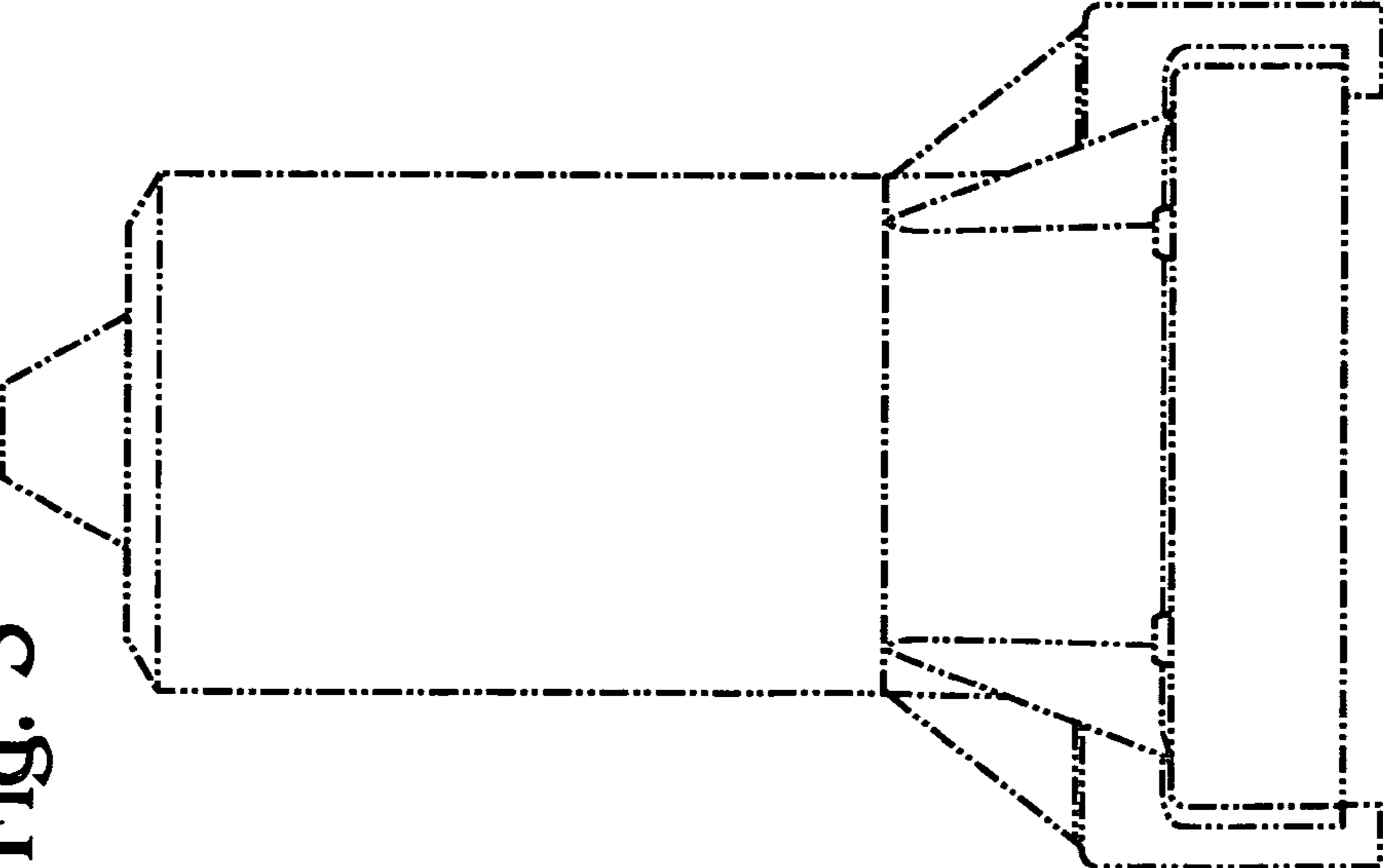


Fig. 4

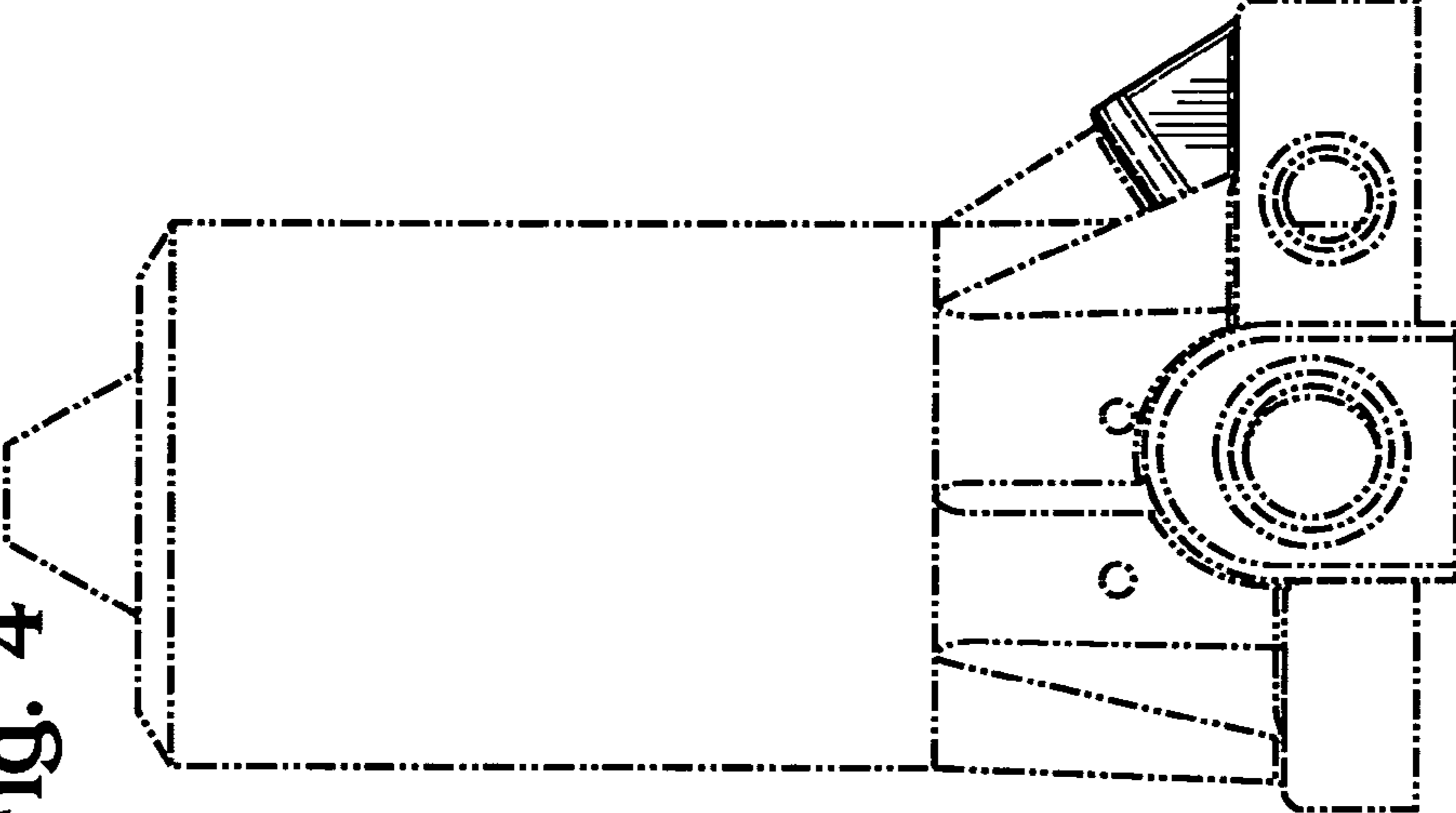


Fig. 5

