



US00D645055S

(12) **United States Design Patent**  
**Benoit**

(10) **Patent No.:** **US D645,055 S**

(45) **Date of Patent:** **\*\* Sep. 13, 2011**

(54) **AUTOMOBILE FUEL PUMP**

(75) **Inventor:** **Marvin Benoit**, Bowling Green, KY  
(US)

(73) **Assignee:** **Quick Fuel Technology**, Bowling  
Green, KY (US)

(\*\*) **Term:** **14 Years**

(21) **Appl. No.:** **29/372,492**

(22) **Filed:** **Nov. 29, 2010**

(51) **LOC (9) Cl.** ..... **15-02**

(52) **U.S. Cl.** ..... **D15/7**

(58) **Field of Classification Search** ..... D15/7-9;  
D23/231, 232, 225; 417/60, 235, 265, 321,  
417/355, 358, 363, 359, 410.1, 415-416,  
417/405, 900; 60/408, 412; 184/26-37;  
415/140-147; 123/495, 509  
See application file for complete search history.

(56) **References Cited**

**U.S. PATENT DOCUMENTS**

D165,728 S *	1/1952	Zimmer	.....	D15/7
D239,210 S *	3/1976	Marlow	.....	D15/7
D262,884 S *	2/1982	Fessler	.....	D15/7
D370,488 S *	6/1996	Kozumplik et al.	.....	D15/7
D388,796 S *	1/1998	Conti et al.	.....	D15/7

D400,210 S *	10/1998	Reynolds et al.	.....	D15/7
D592,681 S *	5/2009	Hamagishi et al.	.....	D15/7
D604,330 S *	11/2009	Duong et al.	.....	D15/7
D604,331 S *	11/2009	Tokunaga et al.	.....	D15/7
D604,332 S *	11/2009	Tokunaga et al.	.....	D15/7
D609,248 S *	2/2010	Foreman et al.	.....	D15/7

\* cited by examiner

*Primary Examiner* — Ralf Seifert

(74) *Attorney, Agent, or Firm* — Portland Intellectual  
Property, LLC

(57) **CLAIM**

The ornamental design for an automobile fuel pump, as  
shown and described.

**DESCRIPTION**

FIG. 1 is an isometric view of an automobile fuel pump  
showing my new design.

FIG. 2 is a top, plan view thereof.

FIG. 3 is a rear elevation thereof.

FIG. 4 is a right side elevation thereof, the left side being a  
mirror image of the right side; and,

FIG. 5 is a front elevation thereof.

The broken line showing of environmental association matter  
in FIGS. 1-5 is for illustrative purposes only and forms no part  
of the claimed design.

**1 Claim, 2 Drawing Sheets**

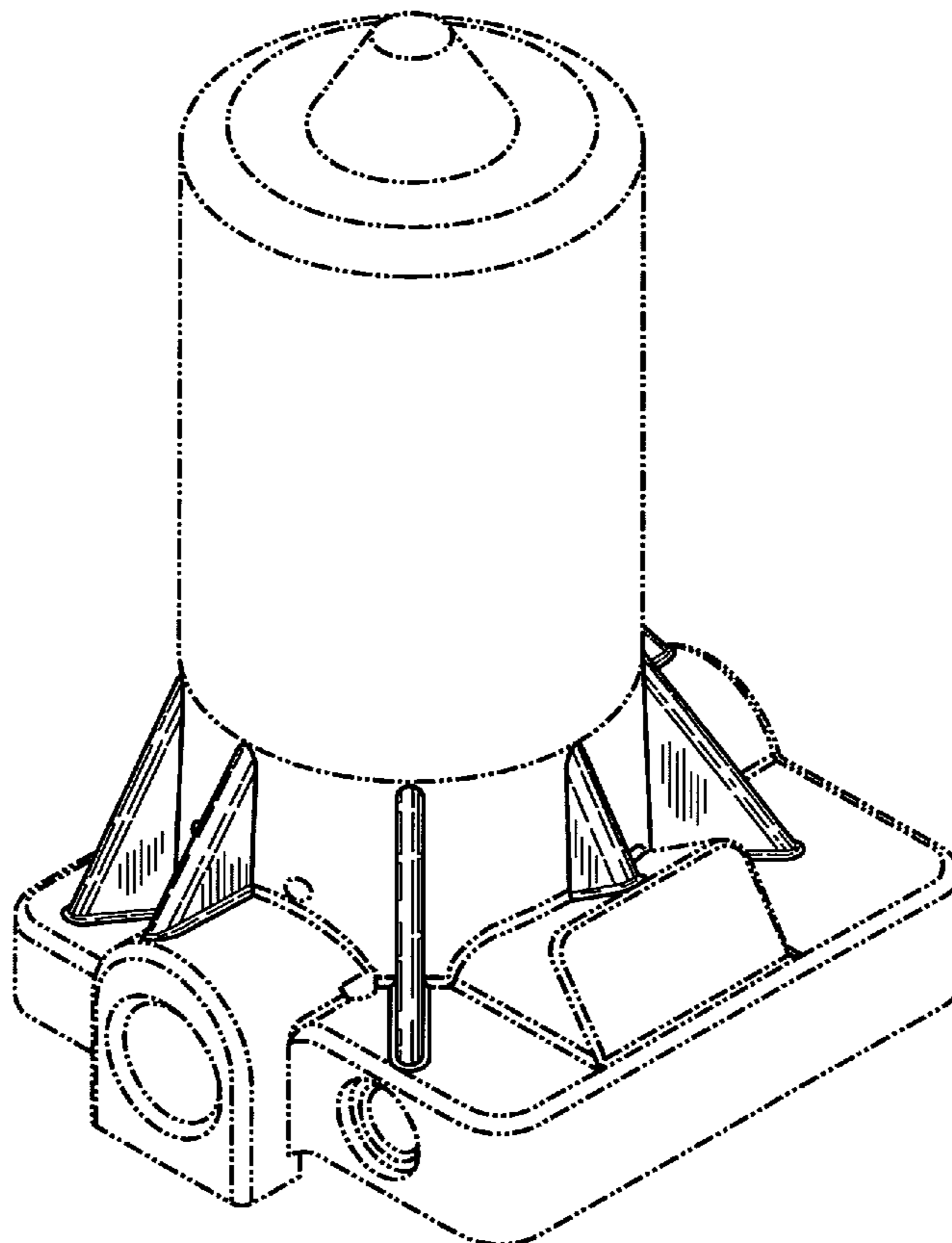


Fig. 1

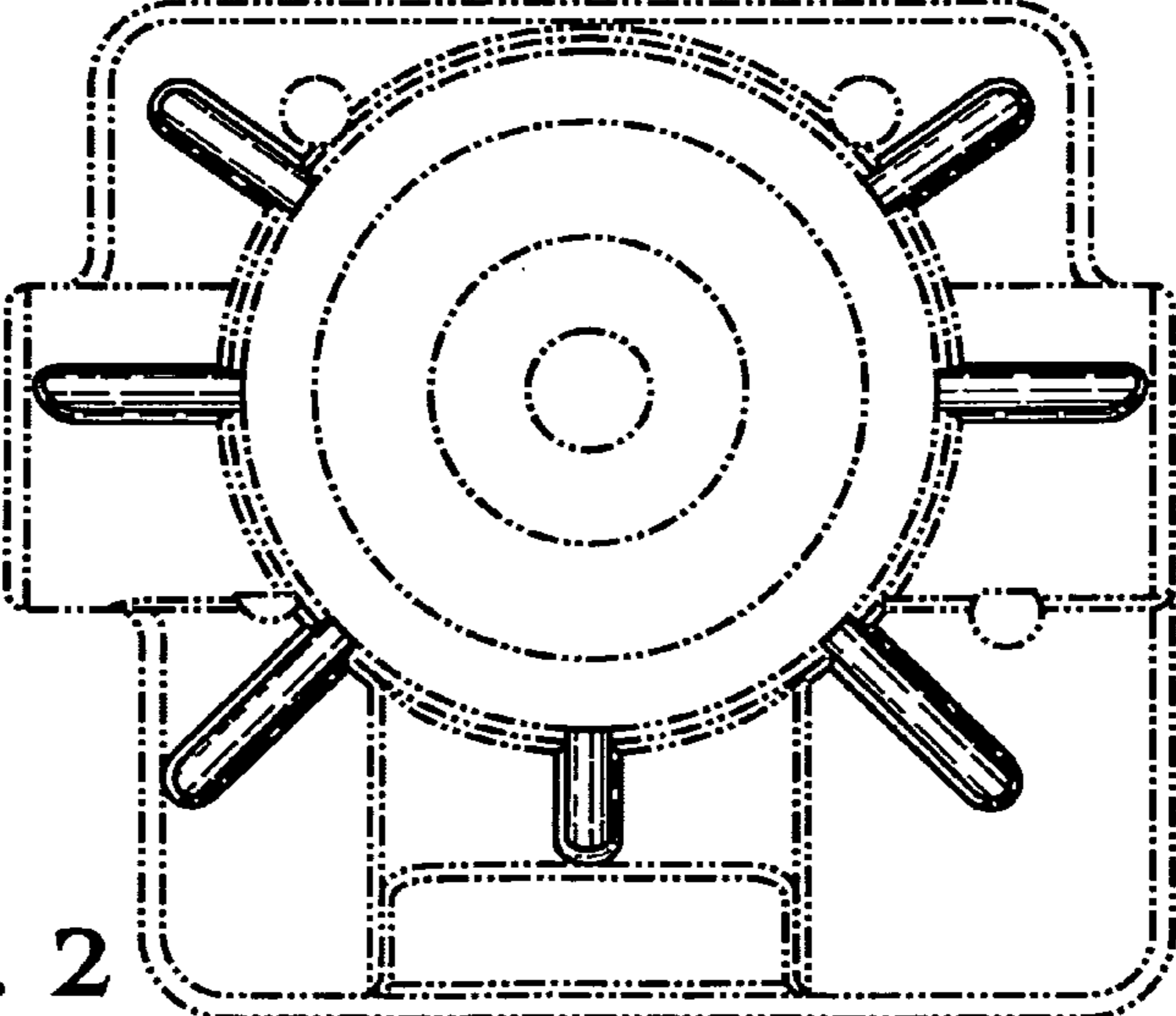
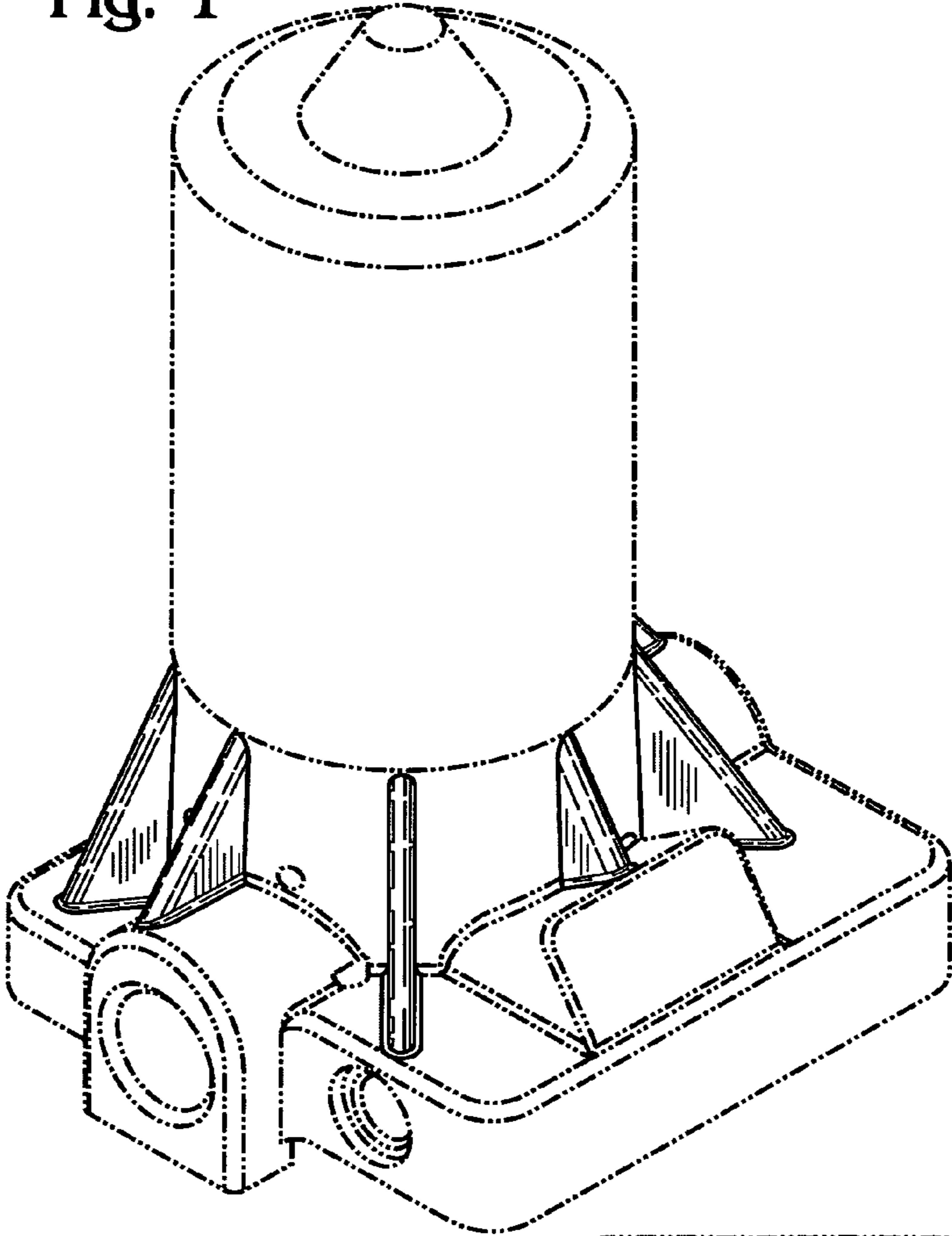


Fig. 2

