



US00D645050S

(12) **United States Design Patent**
Faranda et al.

(10) **Patent No.:** **US D645,050 S**
(45) **Date of Patent:** **** Sep. 13, 2011**

(54) **COLLAPSIBLE USB KEY FOB DEVICE**

(75) Inventors: **Robert Faranda**, Boxborough, MA (US); **Agus Suryana The**, Mesa, AZ (US); **Ross Weems**, Phoenix, AZ (US); **Walter Thornton**, Phoenix, AZ (US)

(73) Assignee: **IGO, Inc.**, Scottsdale, AZ (US)

(**) Term: **14 Years**

(21) Appl. No.: **29/382,228**

(22) Filed: **Dec. 30, 2010**

(51) **LOC (9) Cl.** **14-02**

(52) **U.S. Cl.** **D14/480.5; D13/108**

(58) **Field of Classification Search** D14/411, D14/433, 435.1, 436, 480.1–480.7, 484.1, D14/137, 155, 203.1–203.8, 240; D3/201, D3/273; D13/107, 108, 110, 133, 154, 184; 710/300, 301; 439/131, 135–147

See application file for complete search history.

(56) **References Cited**

U.S. PATENT DOCUMENTS

5,212,729 A * 5/1993 Schafer 705/55
(Continued)

OTHER PUBLICATIONS

KeyJuice for Micro/Mini USB—Mobile Devices at iGo, Inc., [online], [retrieved on Jun. 17, 2011]. Retrieved from the Internet <URL: <http://www.igo.com/mobile-devices/keyjuice-for-micromini-usb/invt/ps002910001/>>.*

(Continued)

Primary Examiner — Cathron Brooks

Assistant Examiner — Karen E Kearney

(74) *Attorney, Agent, or Firm* — Snell & Wilmer L.L.P.

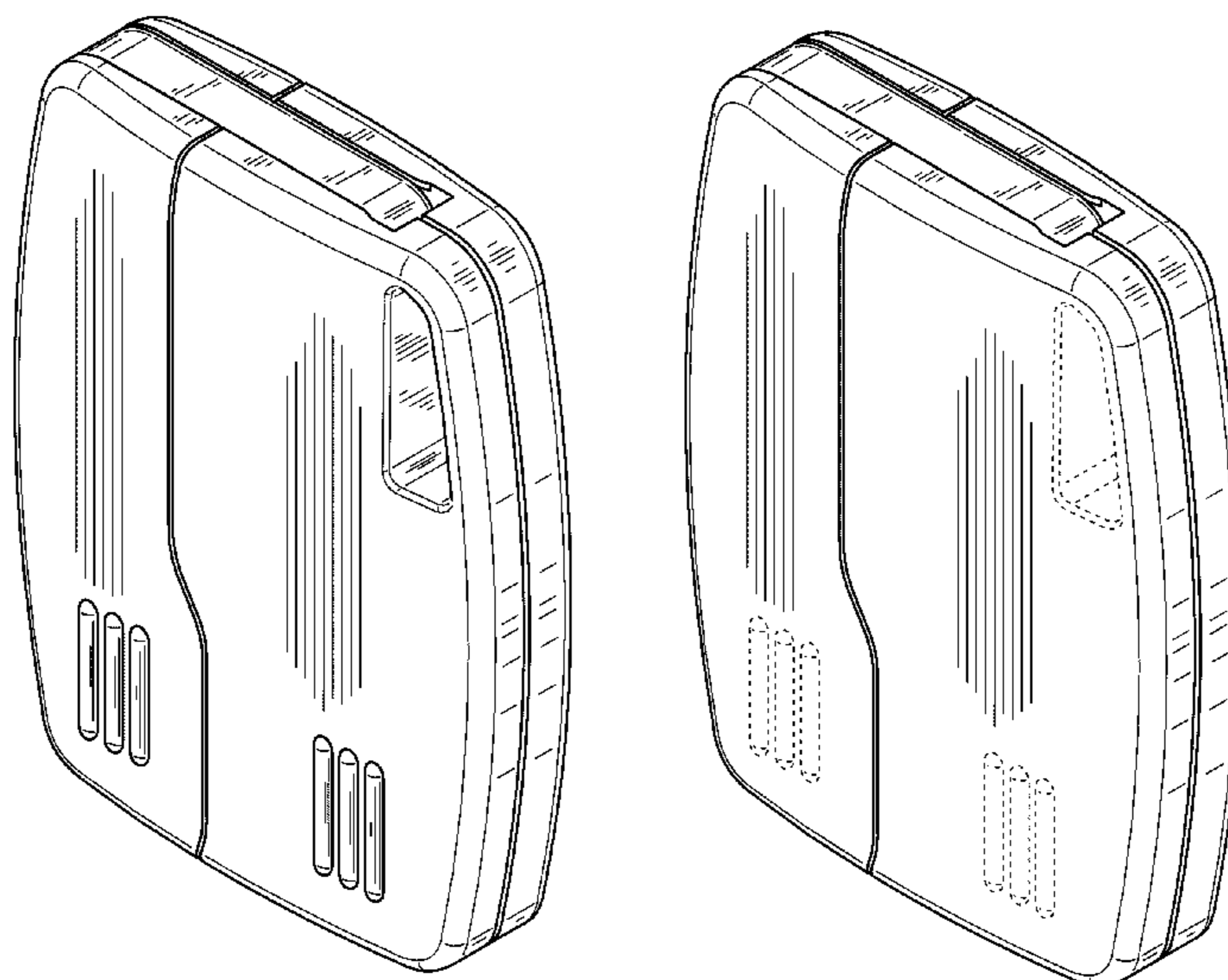
(57) **CLAIM**

The ornamental design for the collapsible USB key fob device, as shown and described.

DESCRIPTION

FIG. 1 is a front perspective view depicting an embodiment of a new design for a collapsible USB key fob device; FIG. 2 is a front view depicting the embodiment of the new design for the collapsible USB key fob device of FIG. 1; FIG. 3 is a back view depicting the embodiment of the new design for the collapsible USB key fob device of FIG. 1; FIG. 4 is a right side view depicting the embodiment of the new design for the collapsible USB key fob device of FIG. 1; FIG. 5 is a left side view depicting the embodiment of the new design for the collapsible USB key fob device of FIG. 1; FIG. 6 is a top view depicting the embodiment of the new design for the collapsible USB key fob device of FIG. 1; FIG. 7 is a bottom view depicting the embodiment of the new design for the collapsible USB key fob device of FIG. 1; FIG. 8 is a front perspective view depicting another embodiment of a new design for a collapsible USB key fob device, with no claim being made to the key chain opening of the collapsible USB key fob device, or the front and back side finger grips of the collapsible USB key fob device; FIG. 9 is a front view depicting the embodiment of the new design for the collapsible USB key fob device of FIG. 8; FIG. 10 is a back view depicting the embodiment of the new design for the collapsible USB key fob device of FIG. 8; FIG. 11 is a right side view depicting the embodiment of the new design for the collapsible USB key fob device of FIG. 8; FIG. 12 is a left side view depicting the embodiment of the new design for the collapsible USB key fob device of FIG. 8; FIG. 13 is a top view depicting the embodiment of the new design for the collapsible USB key fob device of FIG. 8; and, FIG. 14 is a bottom view depicting the embodiment of the new design for the collapsible USB key fob device of FIG. 8. The broken line showings of the keychain opening and the finger grips in FIGS. 8-14 are included for the purpose of illustrating unclaimed portions of the collapsible USB connector and form no part of the claimed design.

1 Claim, 10 Drawing Sheets



US D645,050 S

Page 2

U.S. PATENT DOCUMENTS

D421,959 S * 3/2000 Misrahi et al. D13/133
6,416,355 B1 * 7/2002 Liao 439/501
D478,310 S * 8/2003 Andre et al. D13/110
D484,853 S * 1/2004 Alviar D13/110
6,676,420 B1 * 1/2004 Liu et al. 439/131
D487,458 S * 3/2004 Gentil et al. D14/480.5
6,705,891 B1 * 3/2004 Lin 439/528
6,722,917 B2 * 4/2004 Huang 439/501
D492,250 S * 6/2004 Alviar et al. D13/110
D511,344 S * 11/2005 Takei D14/480.6
D523,015 S * 6/2006 Loftus D14/480.1
D554,584 S * 11/2007 Feldman et al. D13/110
D558,785 S * 1/2008 Kofford D14/496
D572,250 S * 7/2008 Yang D14/435.1
D588,147 S * 3/2009 Finlayson et al. D14/480.5

D599,346 S * 9/2009 Thia et al. D14/356
D601,561 S * 10/2009 Nunes et al. D14/358
D610,540 S * 2/2010 Engel et al. D13/110
D618,237 S * 6/2010 Wang D14/356
D620,017 S * 7/2010 Lo D14/480.7
D623,399 S * 9/2010 McSweyn D3/208
D624,747 S * 10/2010 McSweyn D3/208

OTHER PUBLICATIONS

Keyjuice Ipod Iphone & Ipad Sync & Charge Your Iphone Ipod—
ANTOnline.com, [online], [retrieved on Jun. 17, 2001]. Retrieved
from the Internet <URL: http://www.antonline.com/p_PS00290-0001-NX_884402.htm?sID=NX>.*

* cited by examiner

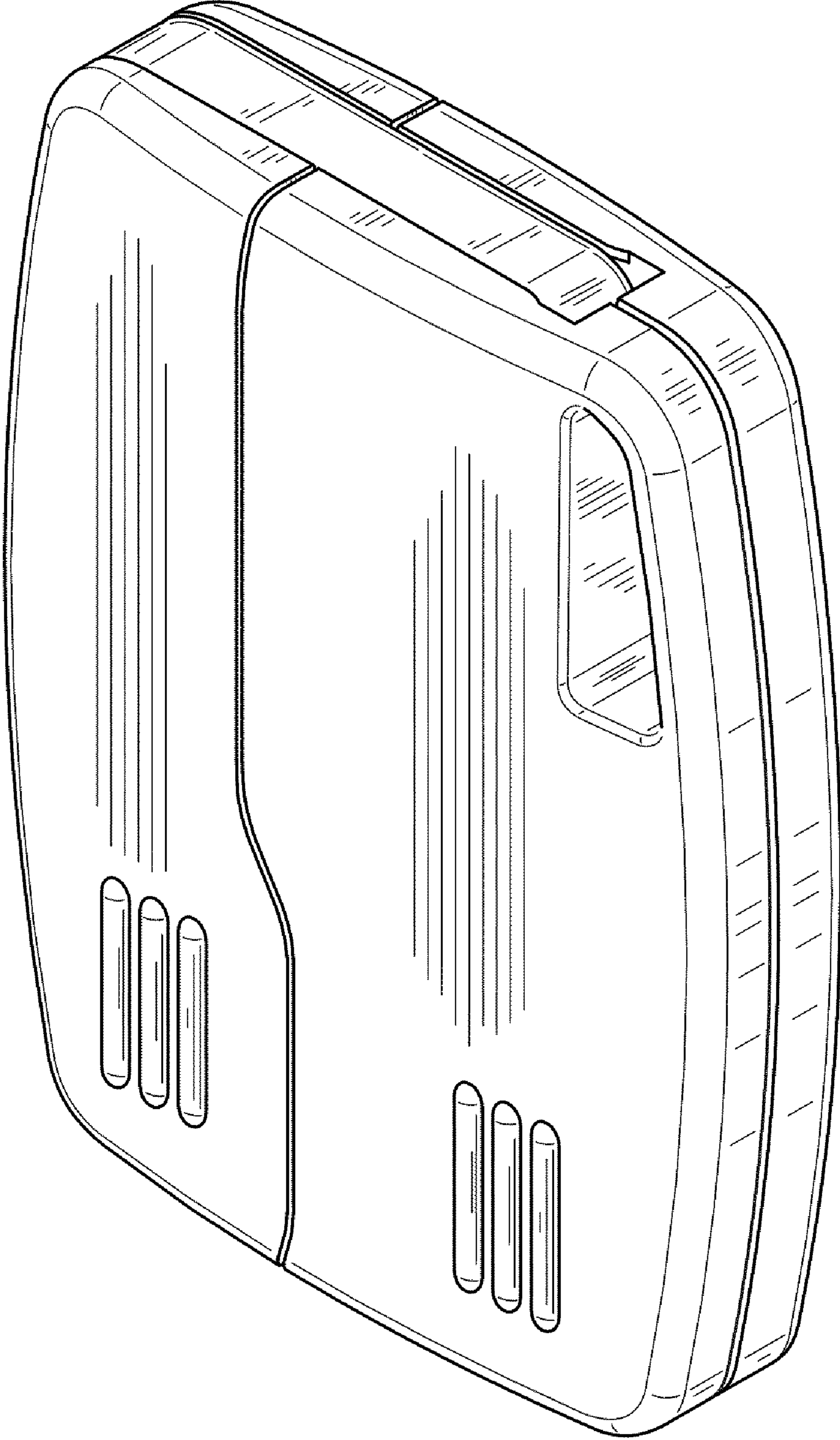


FIG. 1

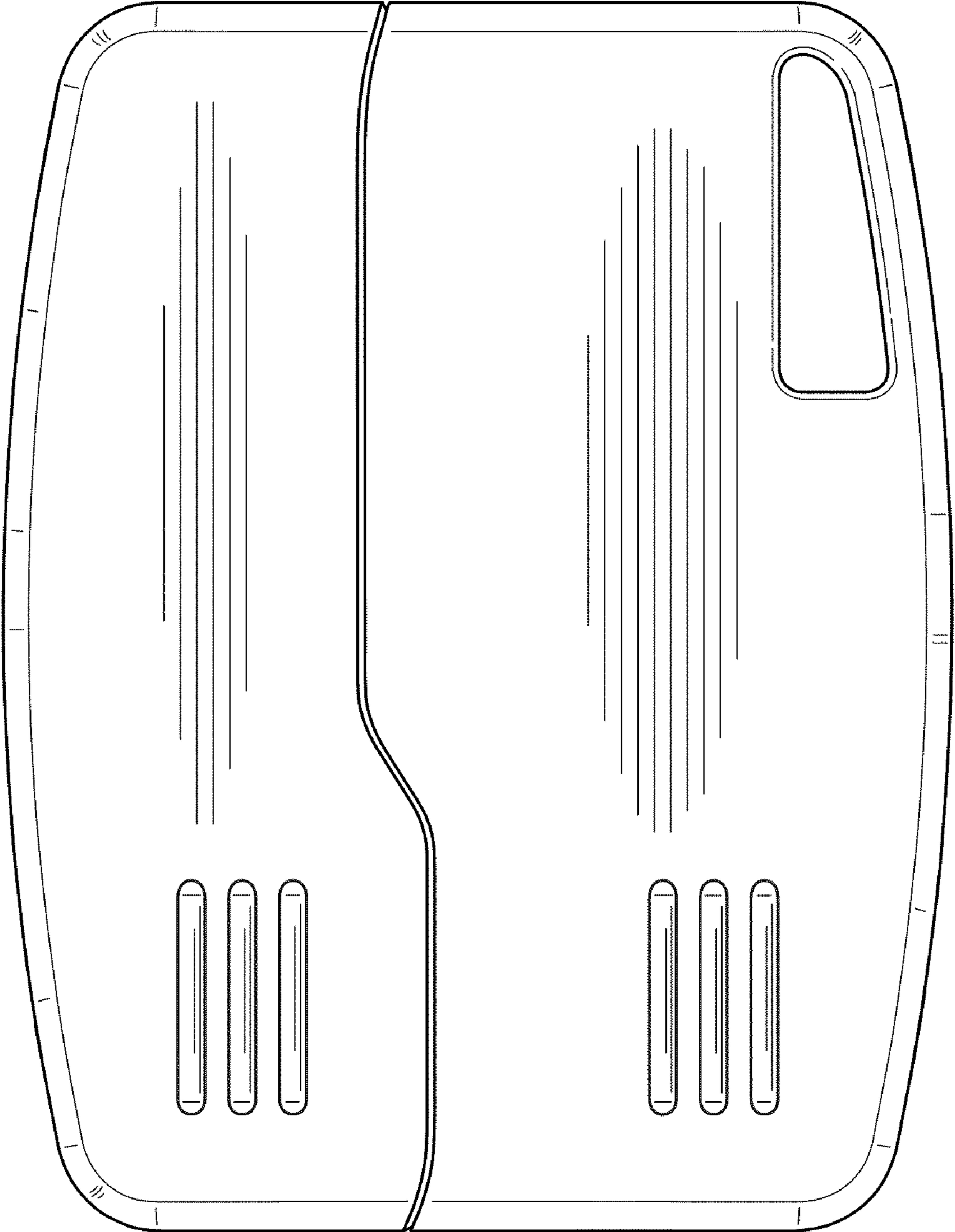


FIG.2

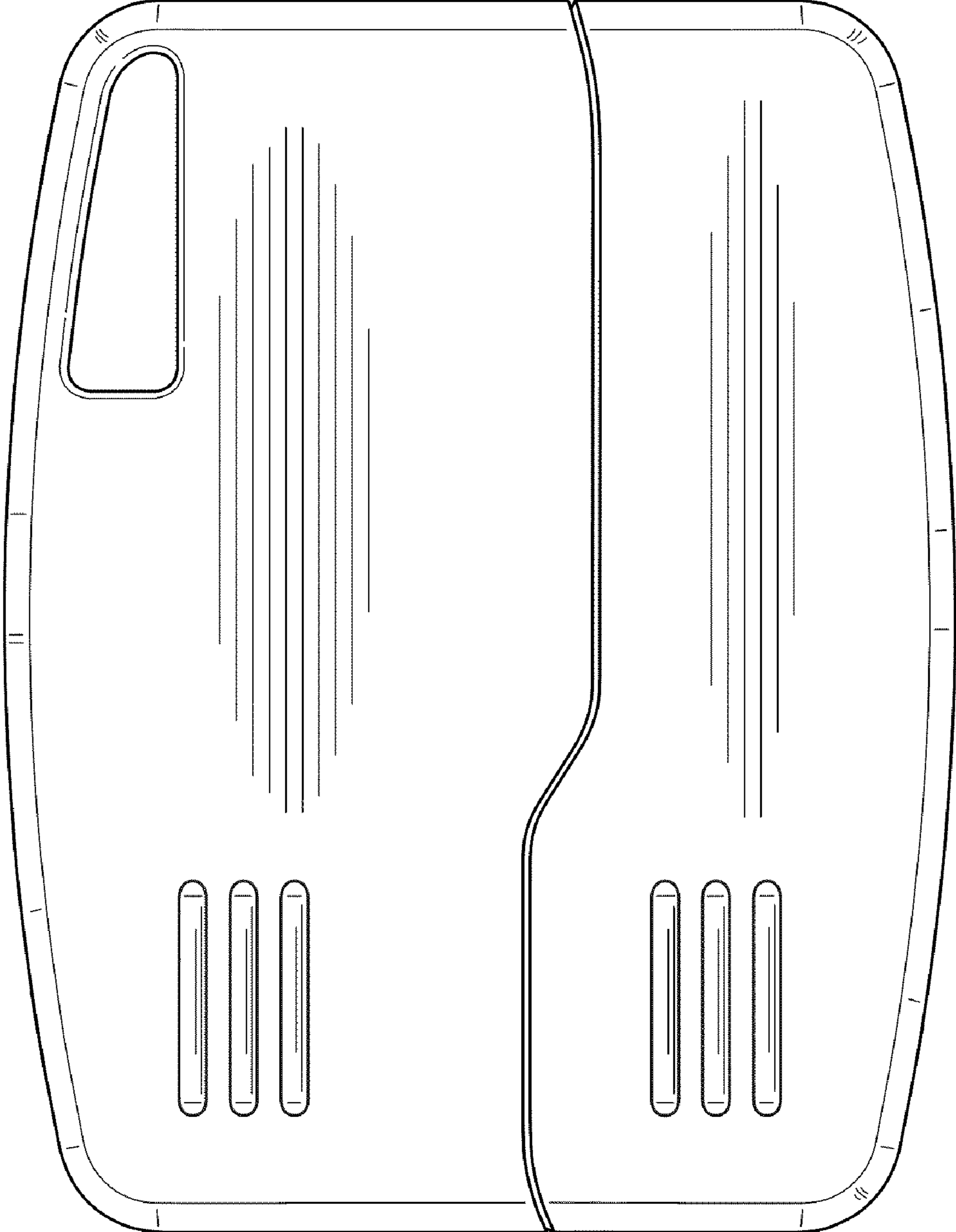


FIG.3

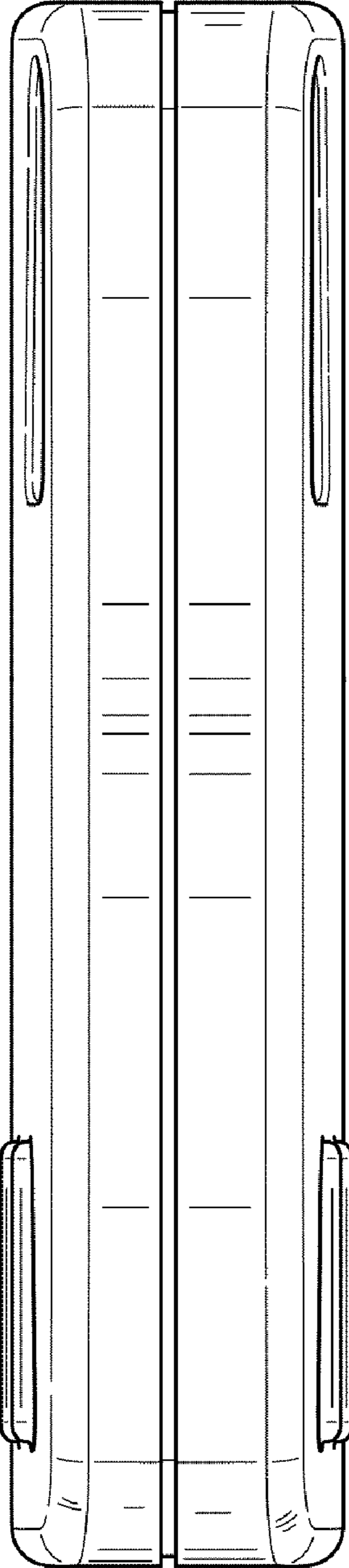


FIG. 4

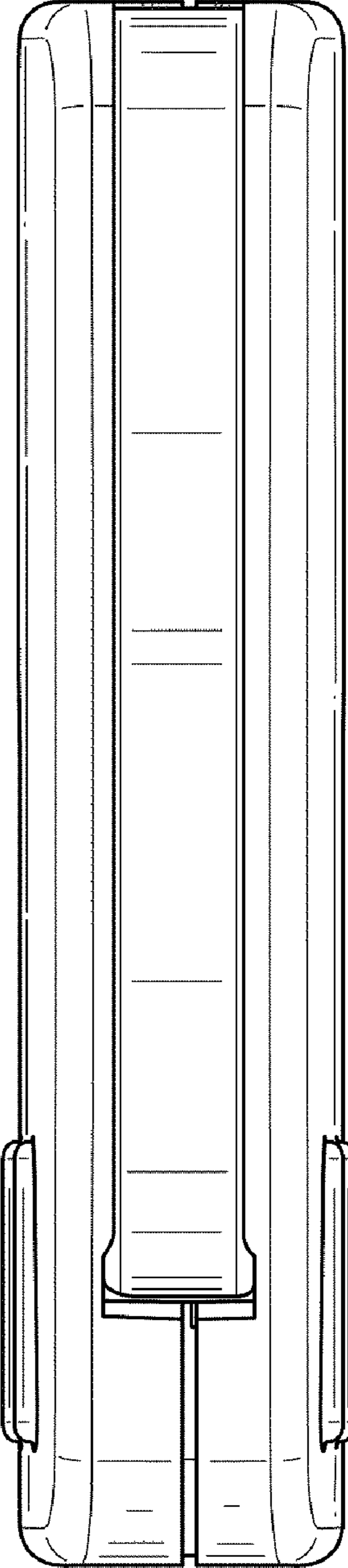


FIG. 5

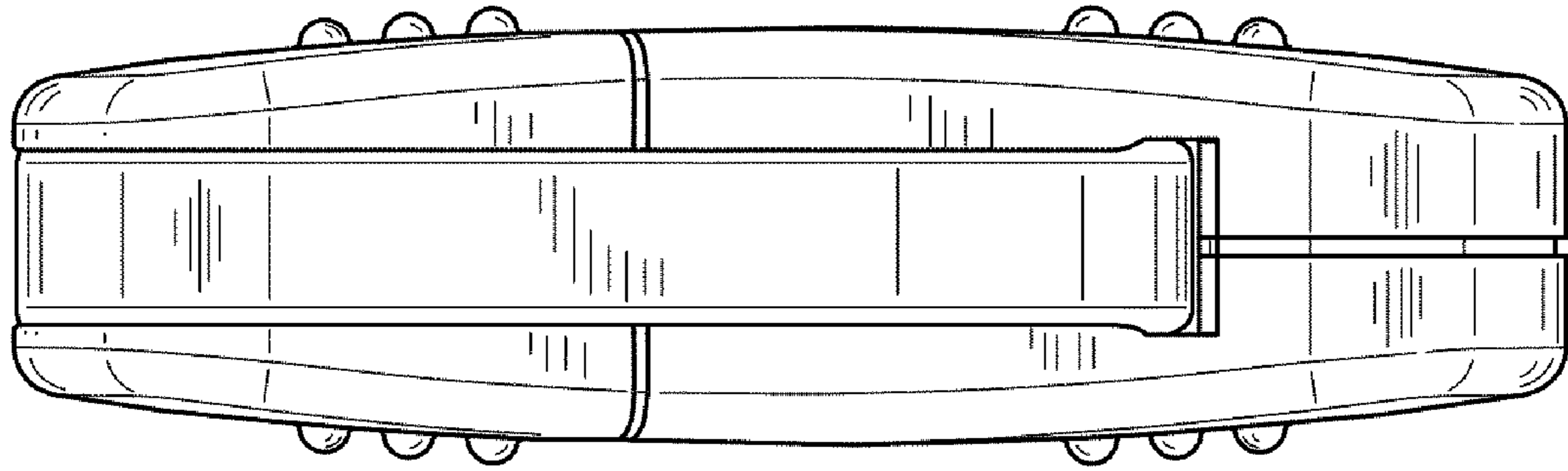


FIG. 6

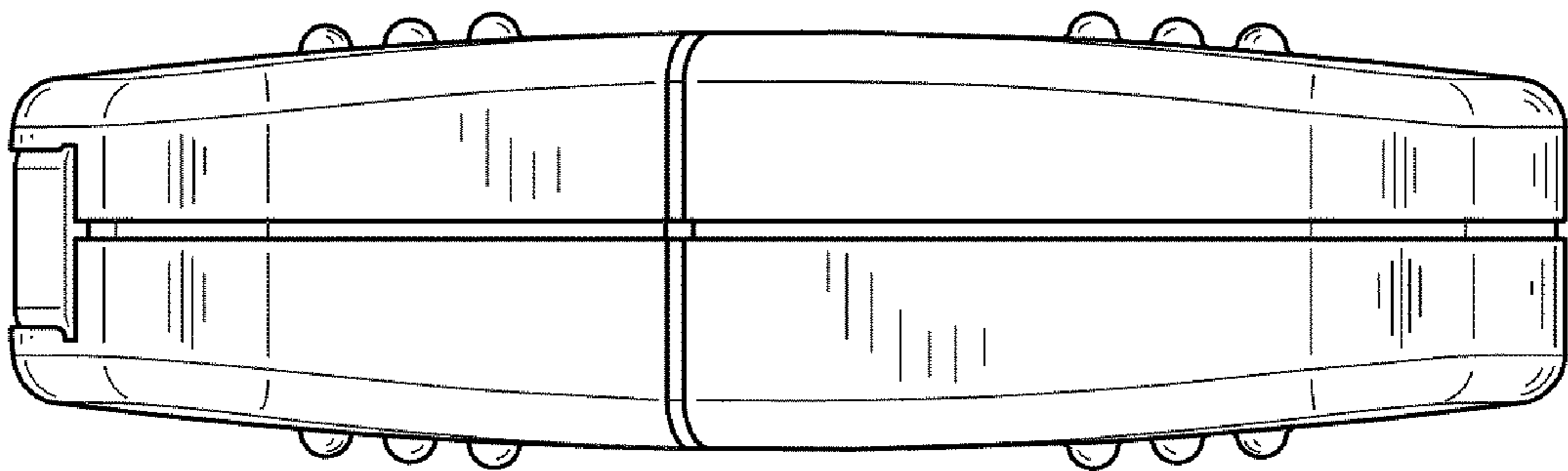


FIG. 7

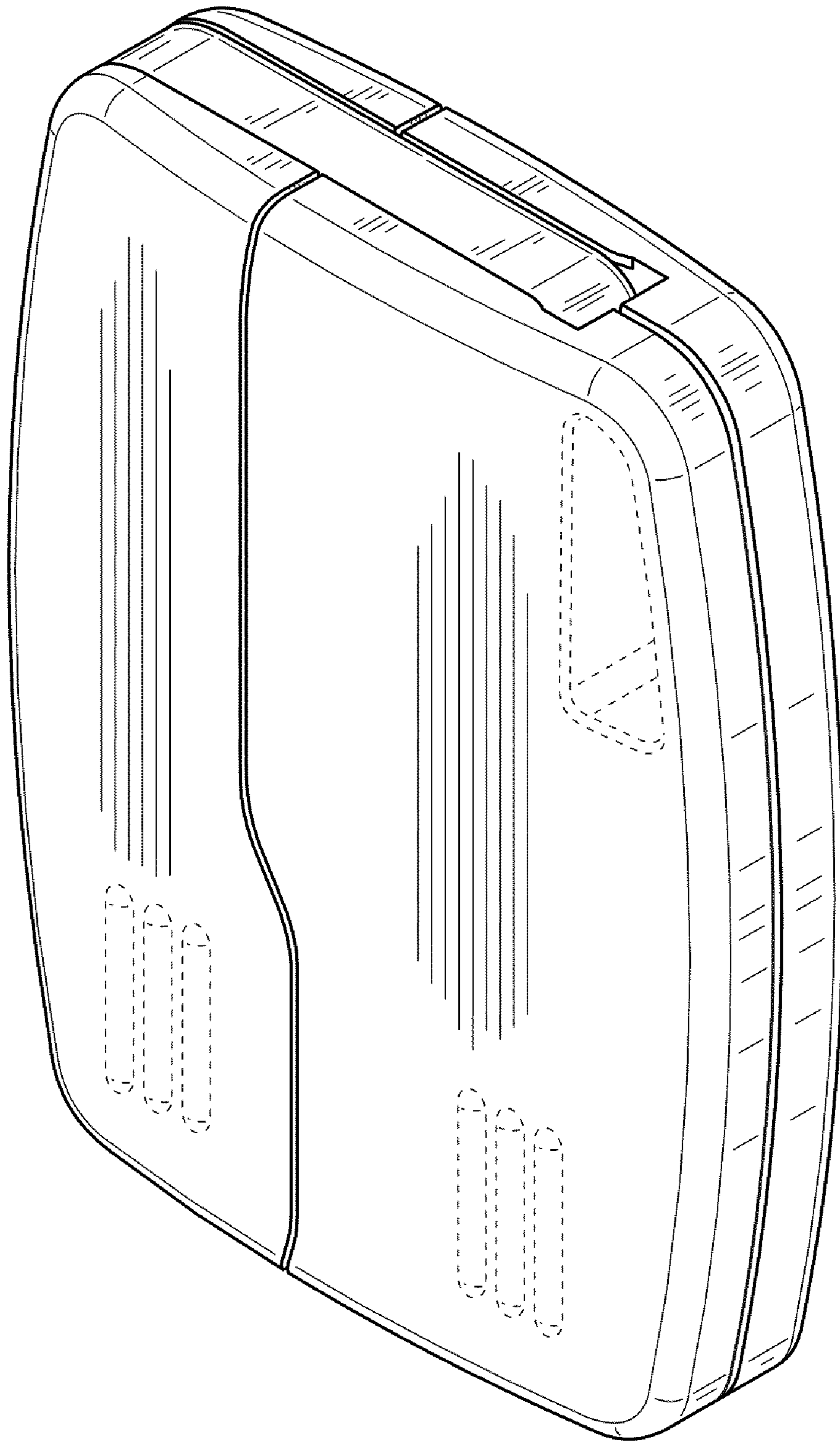


FIG.8

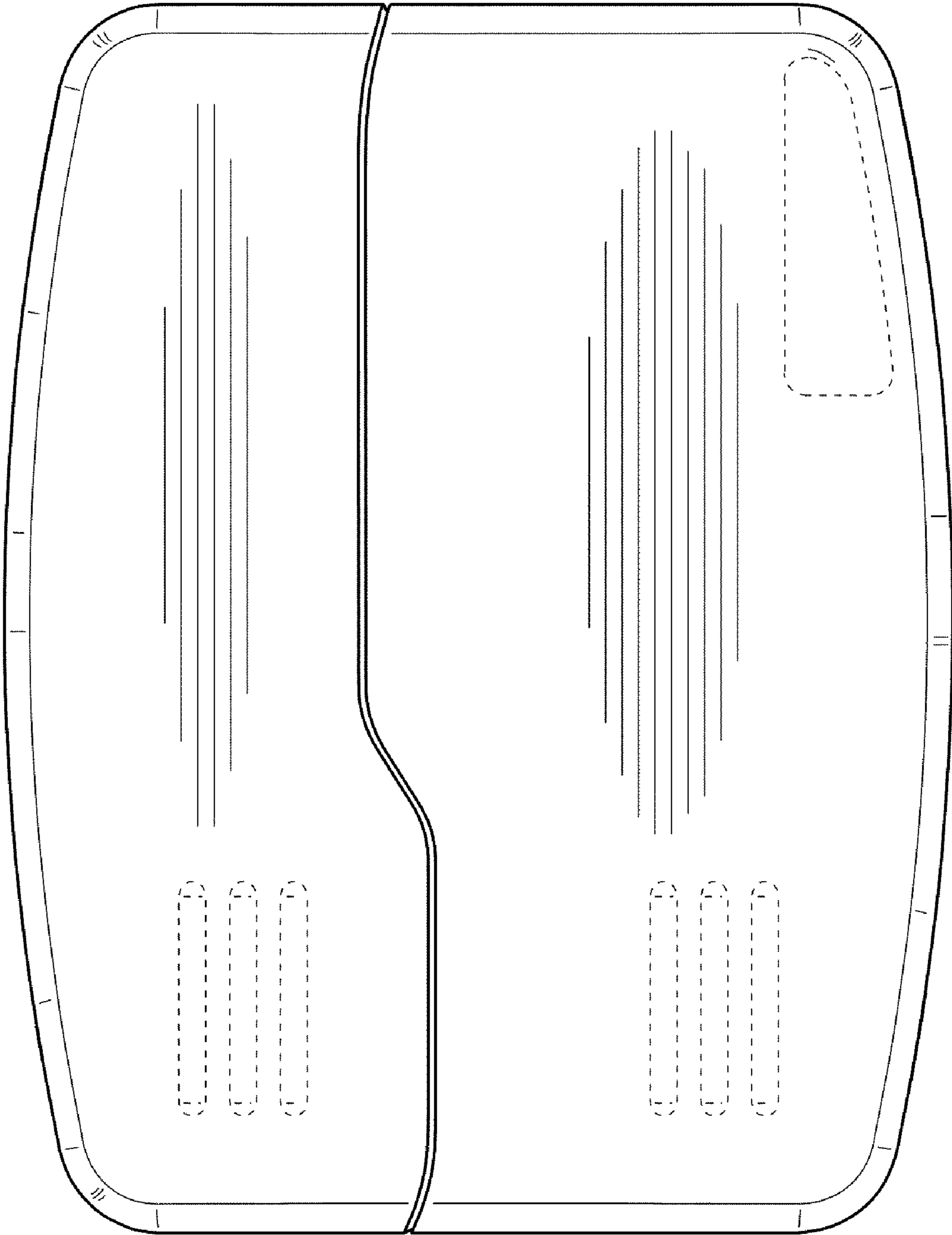


FIG.9

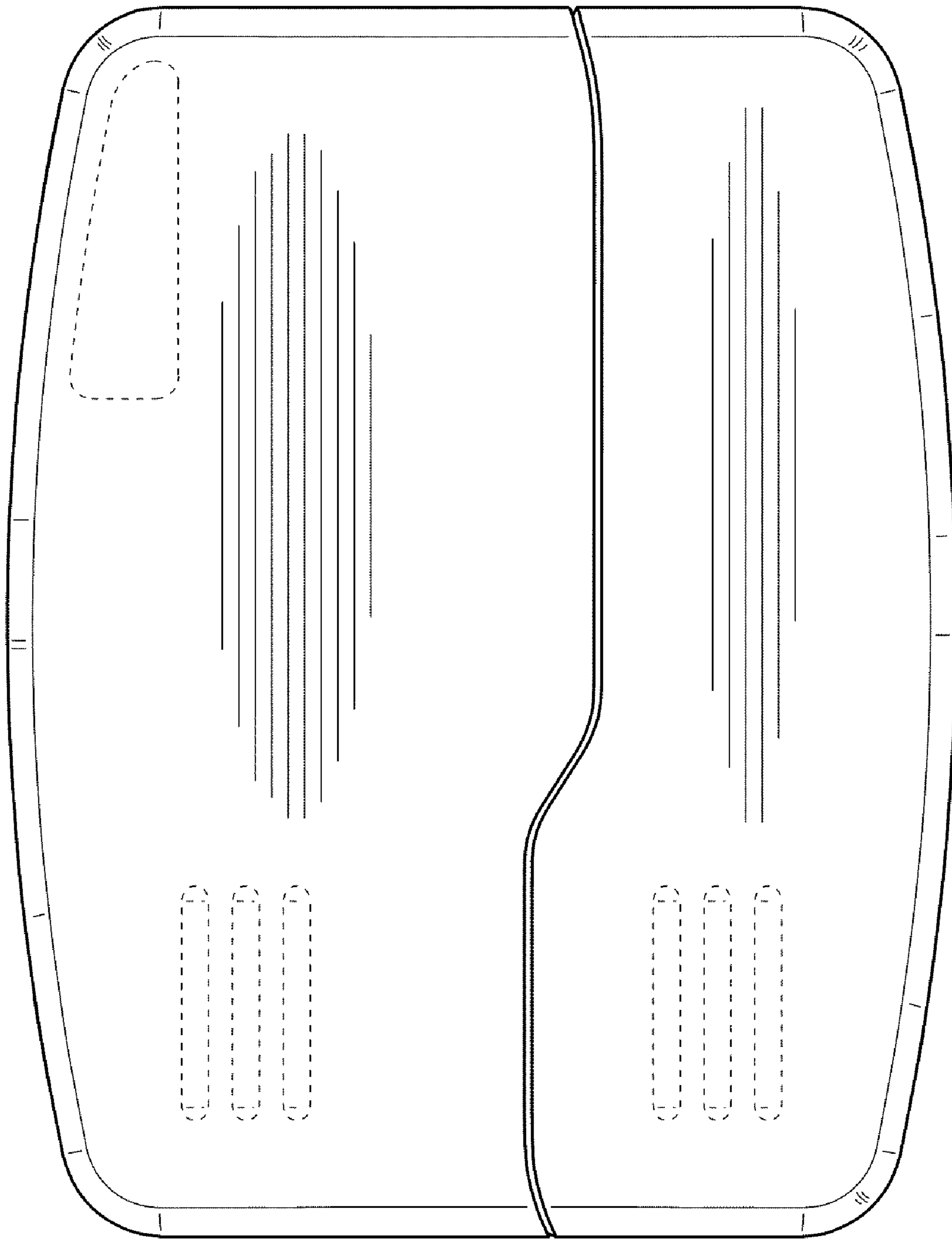


FIG. 10

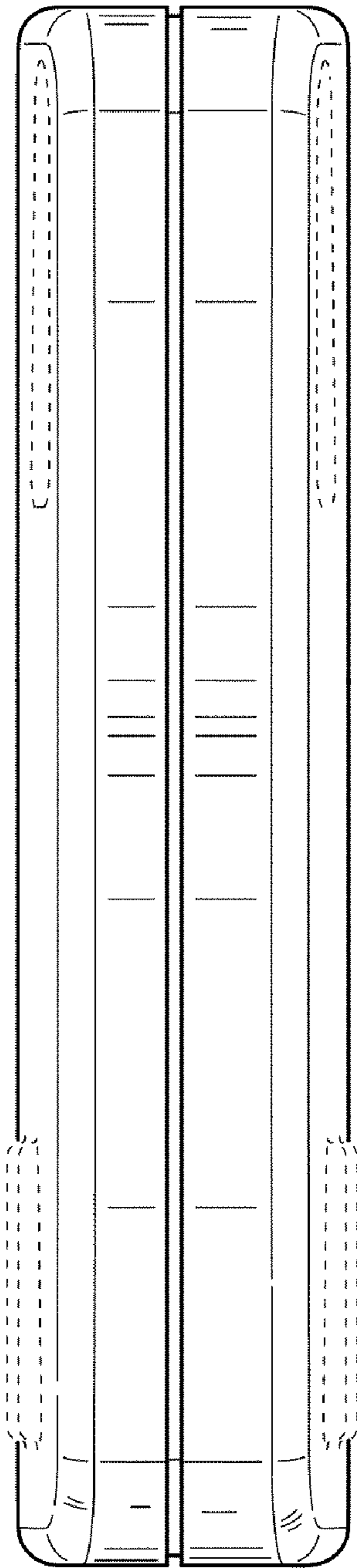


FIG. 11

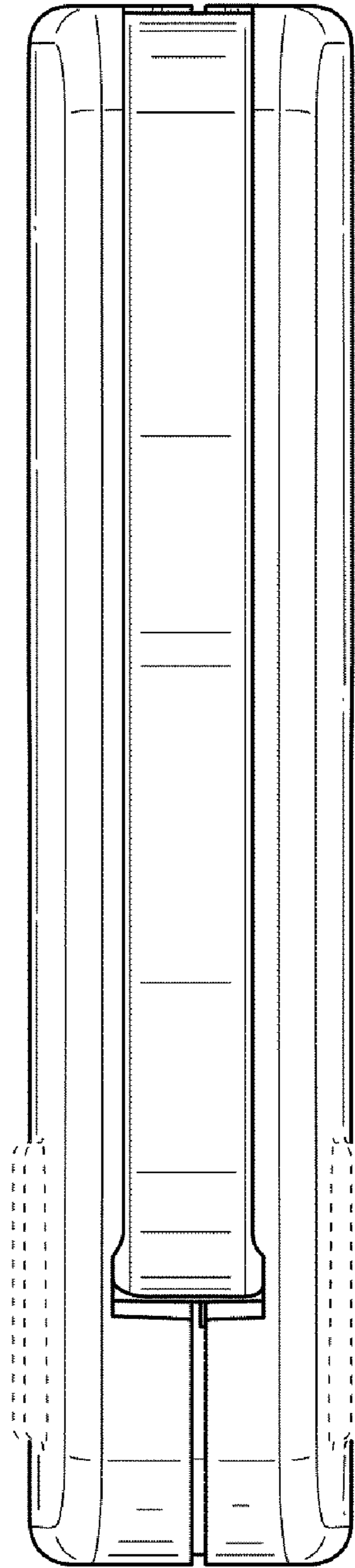


FIG. 12

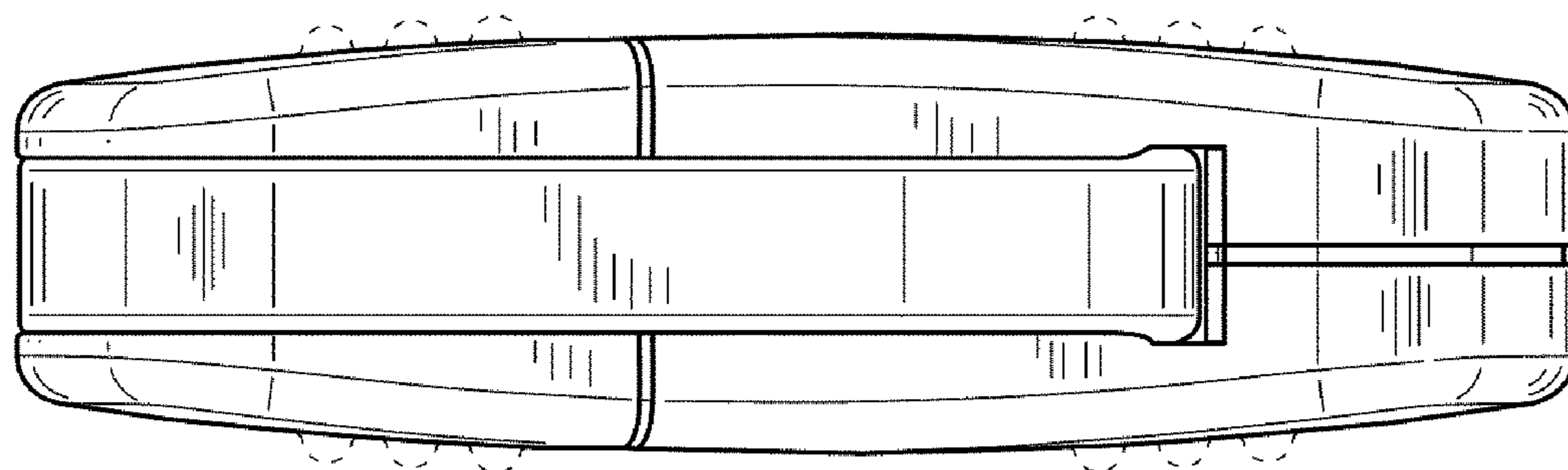


FIG. 13

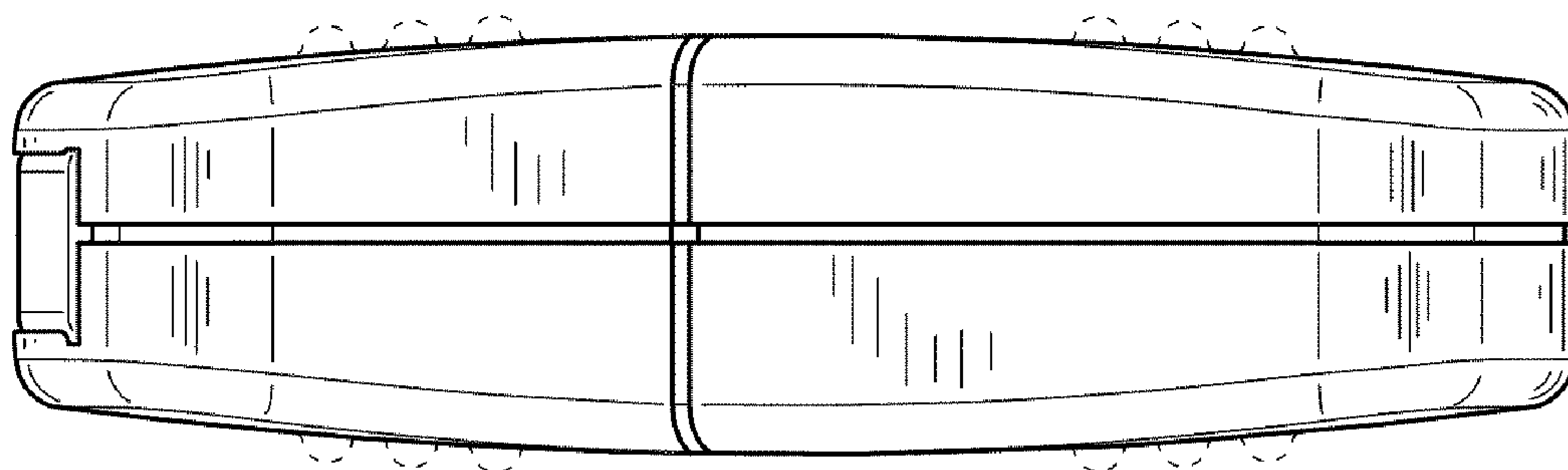


FIG. 14