



US00D645044S

(12) **United States Design Patent**
Chang

(10) **Patent No.:** **US D645,044 S**

(45) **Date of Patent:** **** Sep. 13, 2011**

(54) **DISPLAY**

(75) Inventor: **Chia Hui Chang**, Taipei County (TW)

(73) Assignee: **Amtran Technology Co., Ltd.**, Taipei County (TW)

(**) Term: **14 Years**

(21) Appl. No.: **29/381,628**

(22) Filed: **Dec. 21, 2010**

(51) **LOC (9) Cl.** **14-02**

(52) **U.S. Cl.** **D14/375**

(58) **Field of Classification Search** D14/371-376,
D14/125-129, 336, 337; 248/917-924; 341/12;
345/104, 156, 173, 174, 901-905; 348/180,
348/184, 325, 739, 837; 361/679.01, 679.02,
361/679.21-679.25; 349/1, 2, 11, 58

See application file for complete search history.

(56) **References Cited**

U.S. PATENT DOCUMENTS

D313,431 S * 1/1991 Jaskiel et al. D20/10
D372,273 S * 7/1996 Egan et al. D20/42

6,807,051 B2 * 10/2004 Takahashi 361/679.23
D547,739 S * 7/2007 Lewis D14/126
D598,446 S * 8/2009 Pan et al. D14/337
D620,007 S * 7/2010 Jeon et al. D14/371

* cited by examiner

Primary Examiner — Freda Nunn

(74) *Attorney, Agent, or Firm* — Morris Manning Martin LLP; Tim Tingkang Xia, Esq.

(57) **CLAIM**

The ornamental design for a “display,” as shown and described.

DESCRIPTION

FIG. 1 is a perspective view of display showing our new design;

FIG. 2 is a front view thereof;

FIG. 3 is a rear view thereof;

FIG. 4 is a left side elevational view thereof;

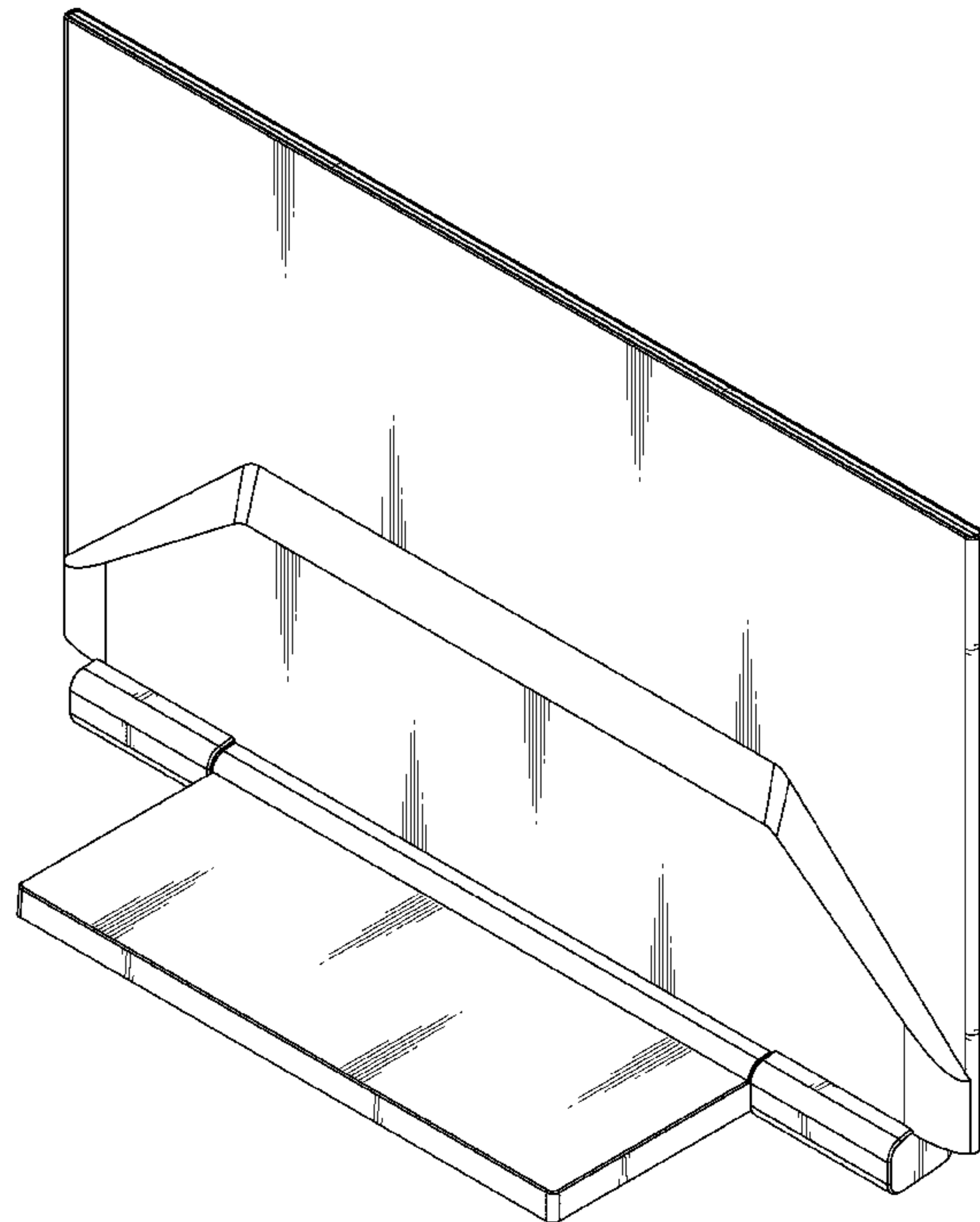
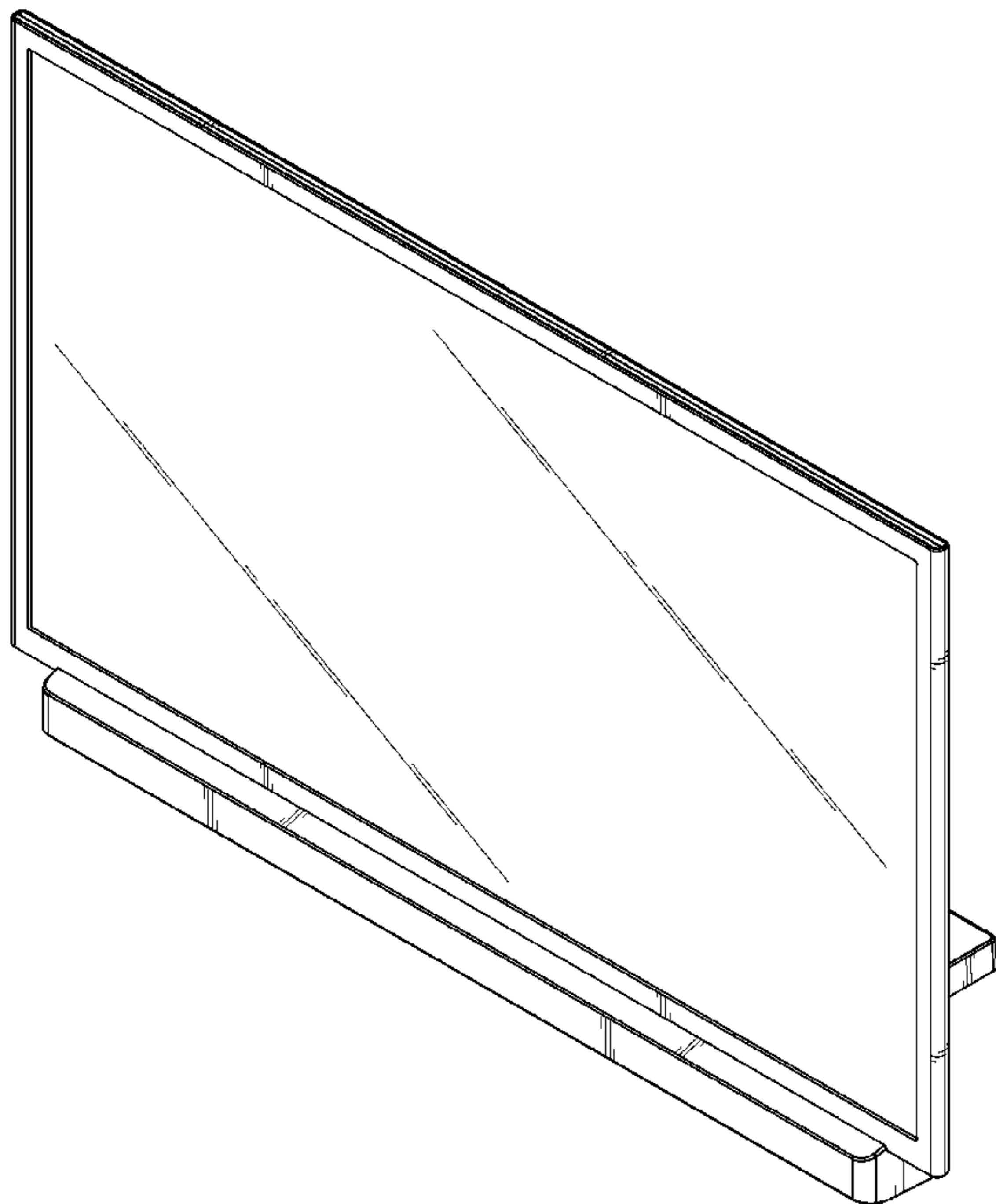
FIG. 5 is a right side elevational view thereof;

FIG. 6 is a top view thereof;

FIG. 7 is a bottom view thereof; and,

FIG. 8 is a rear perspective view thereof.

1 Claim, 7 Drawing Sheets



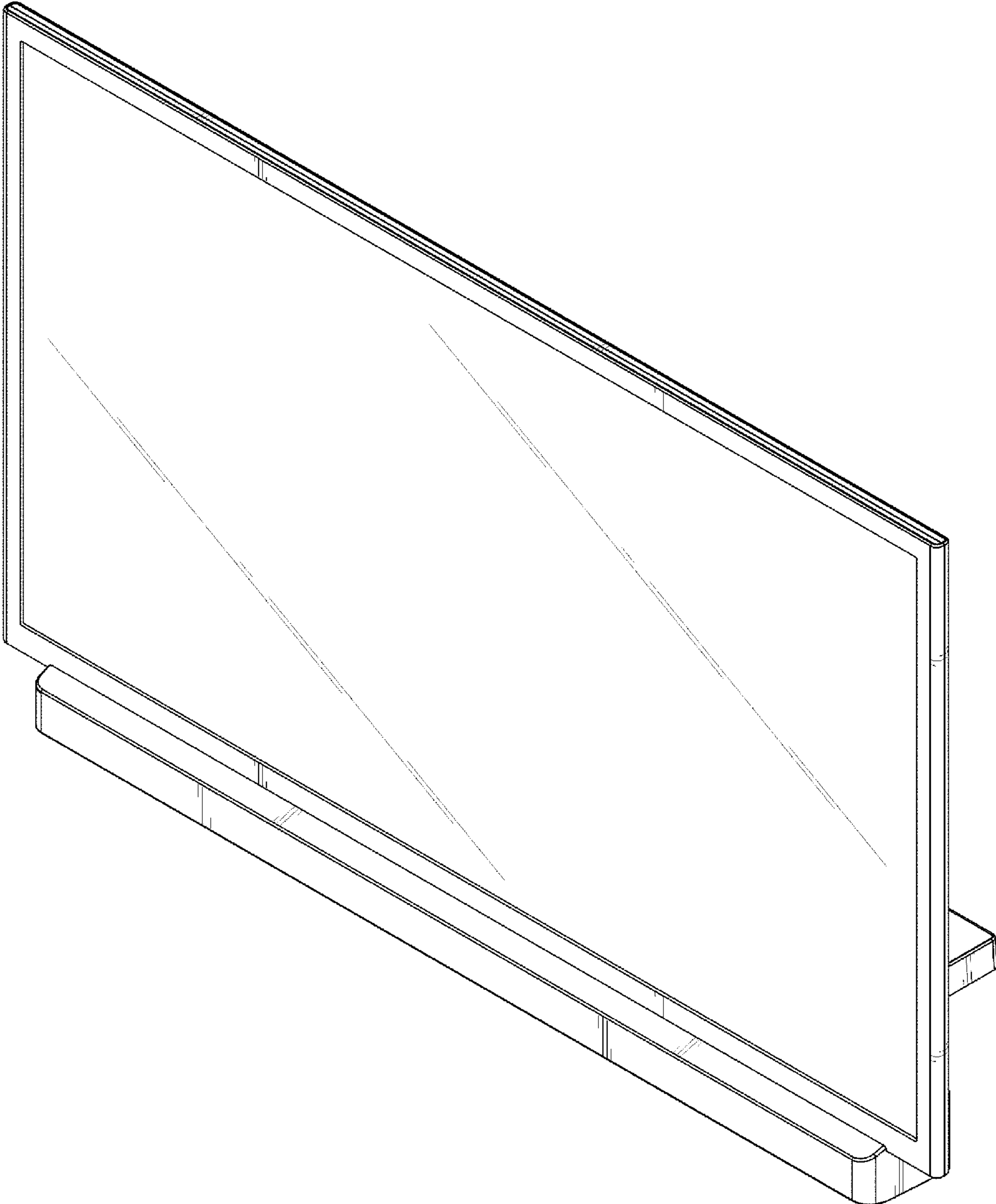


FIG.1

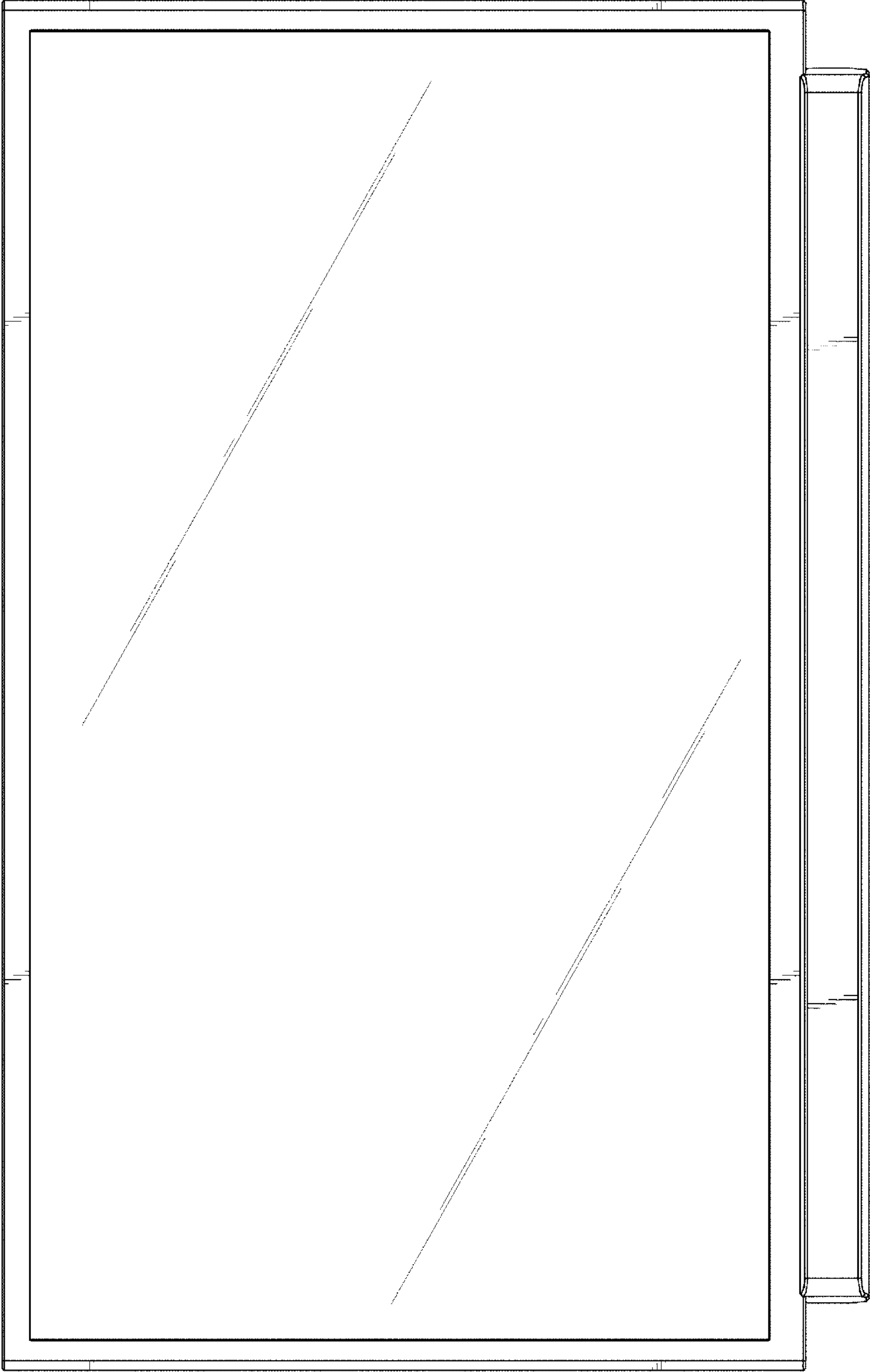


FIG.2

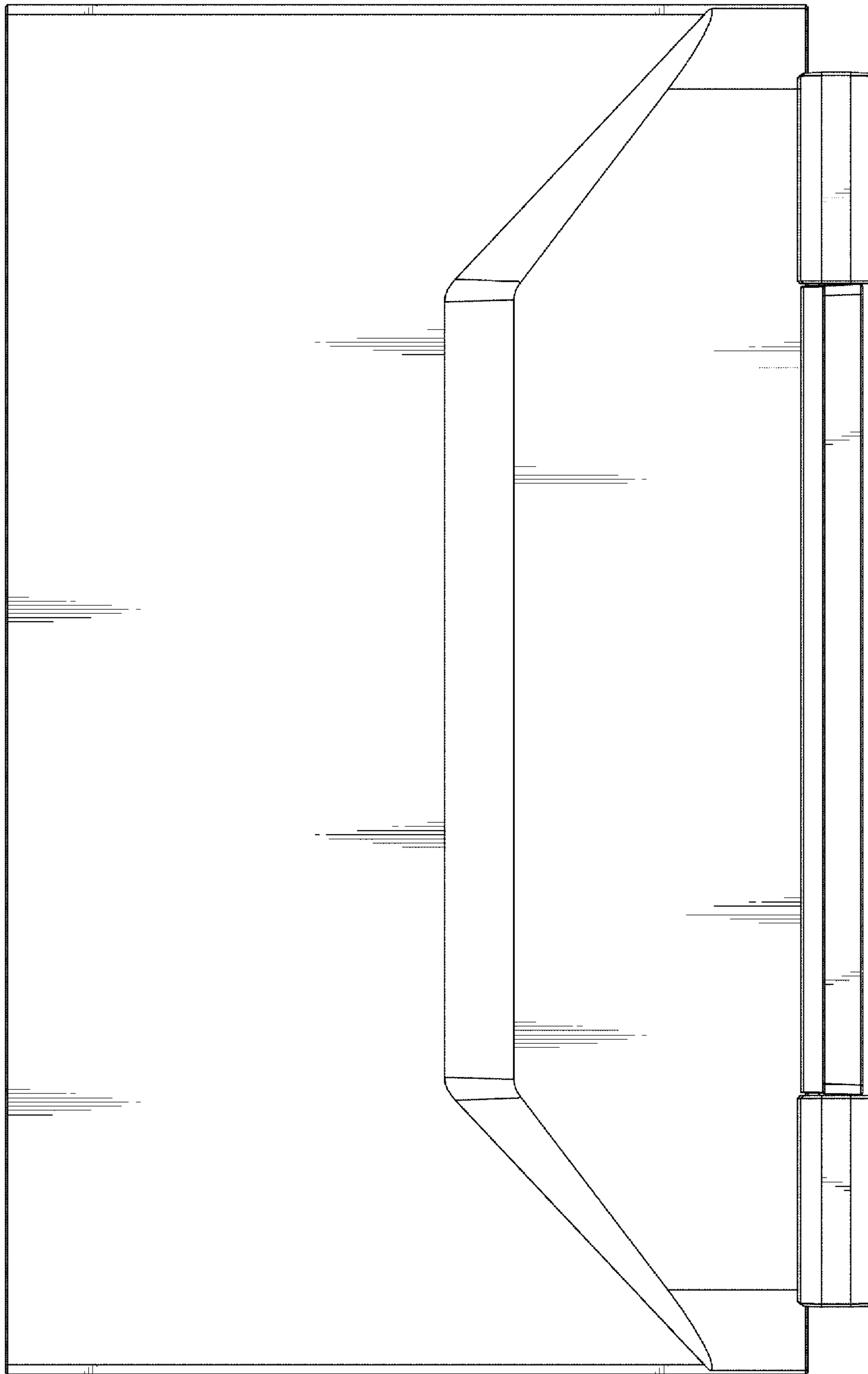


FIG.3

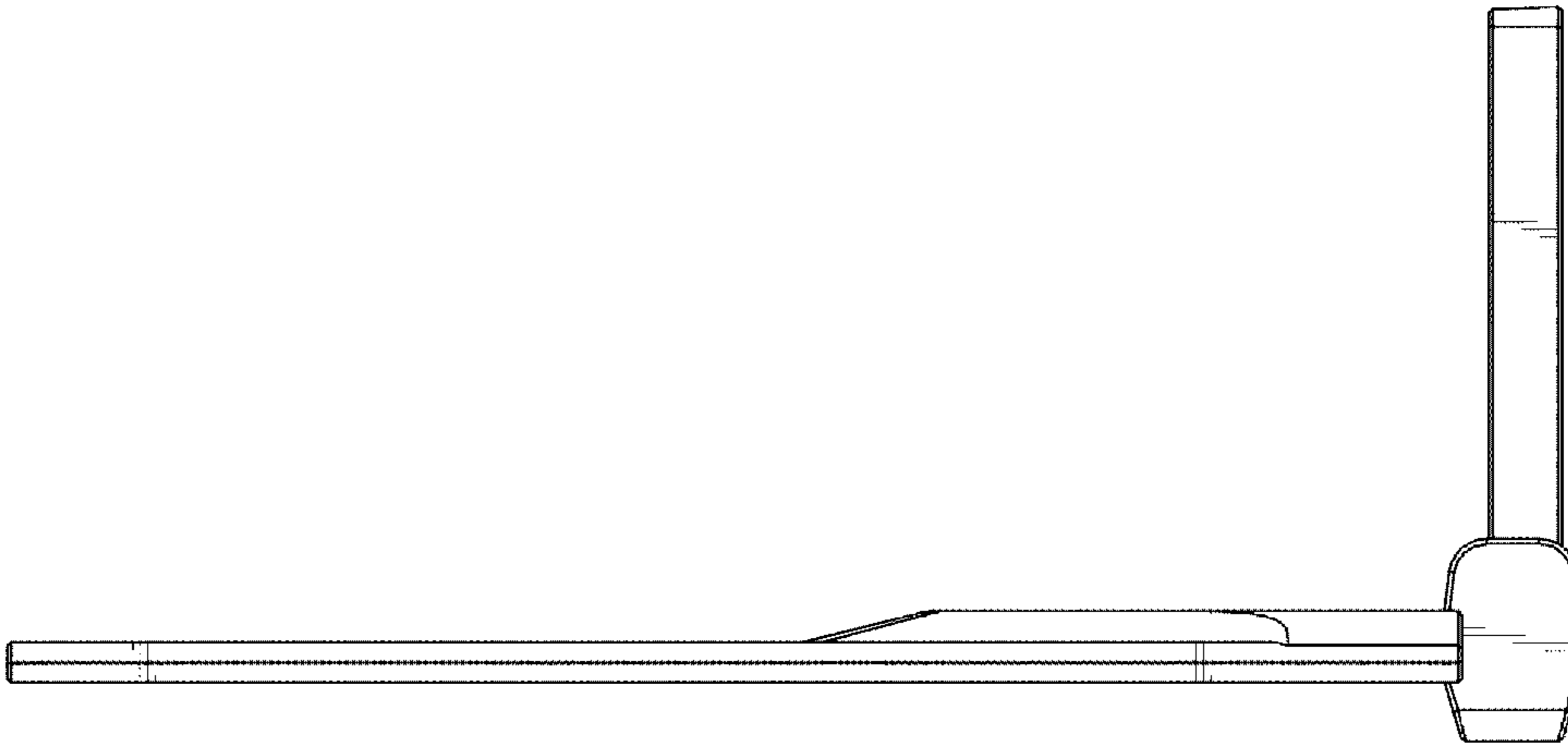


FIG.5

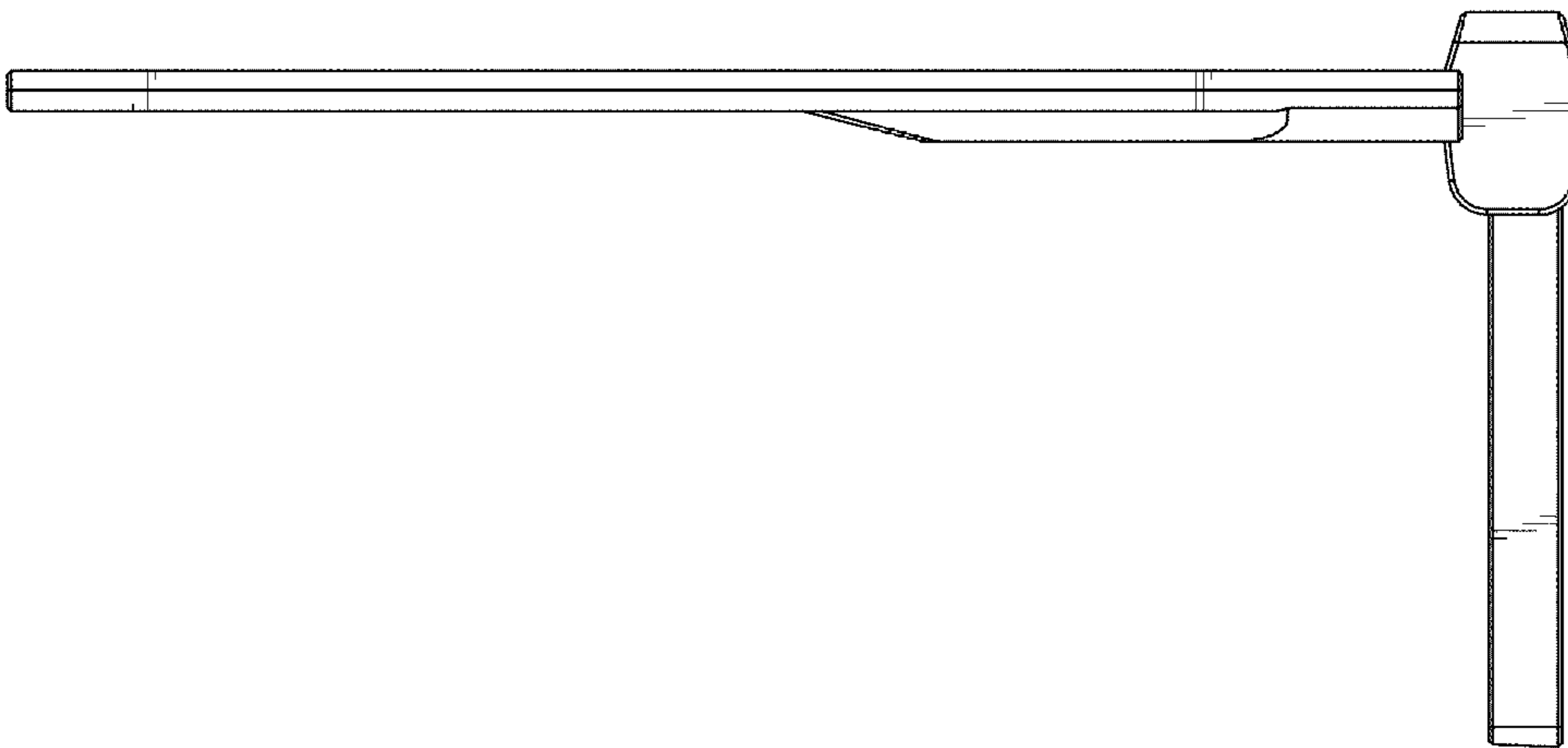


FIG.4



FIG.6

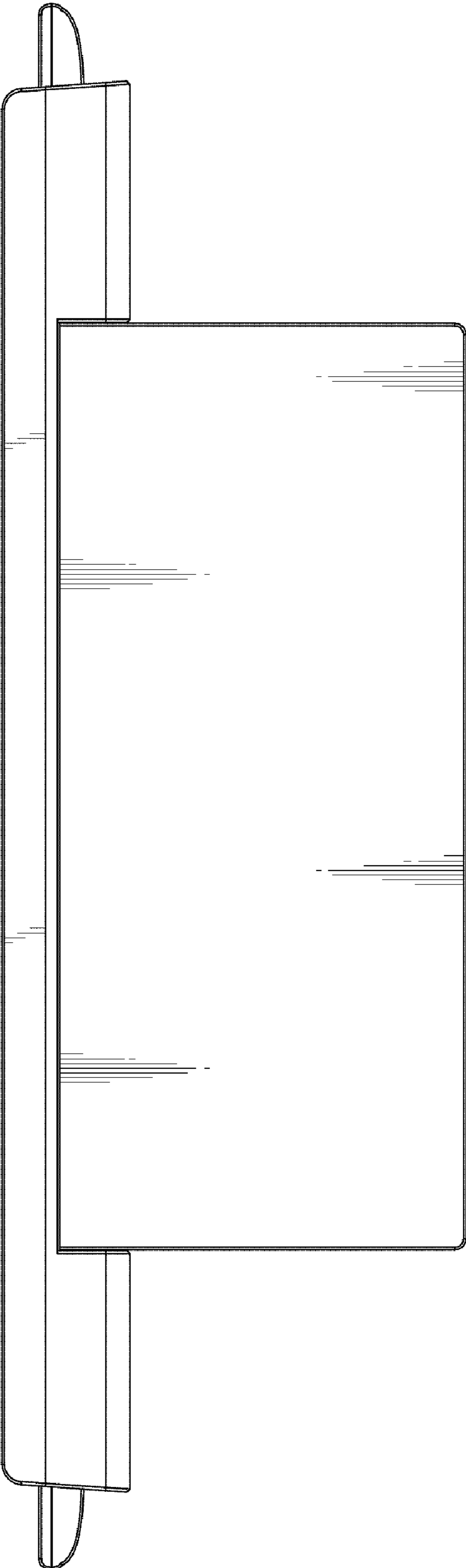


FIG.7

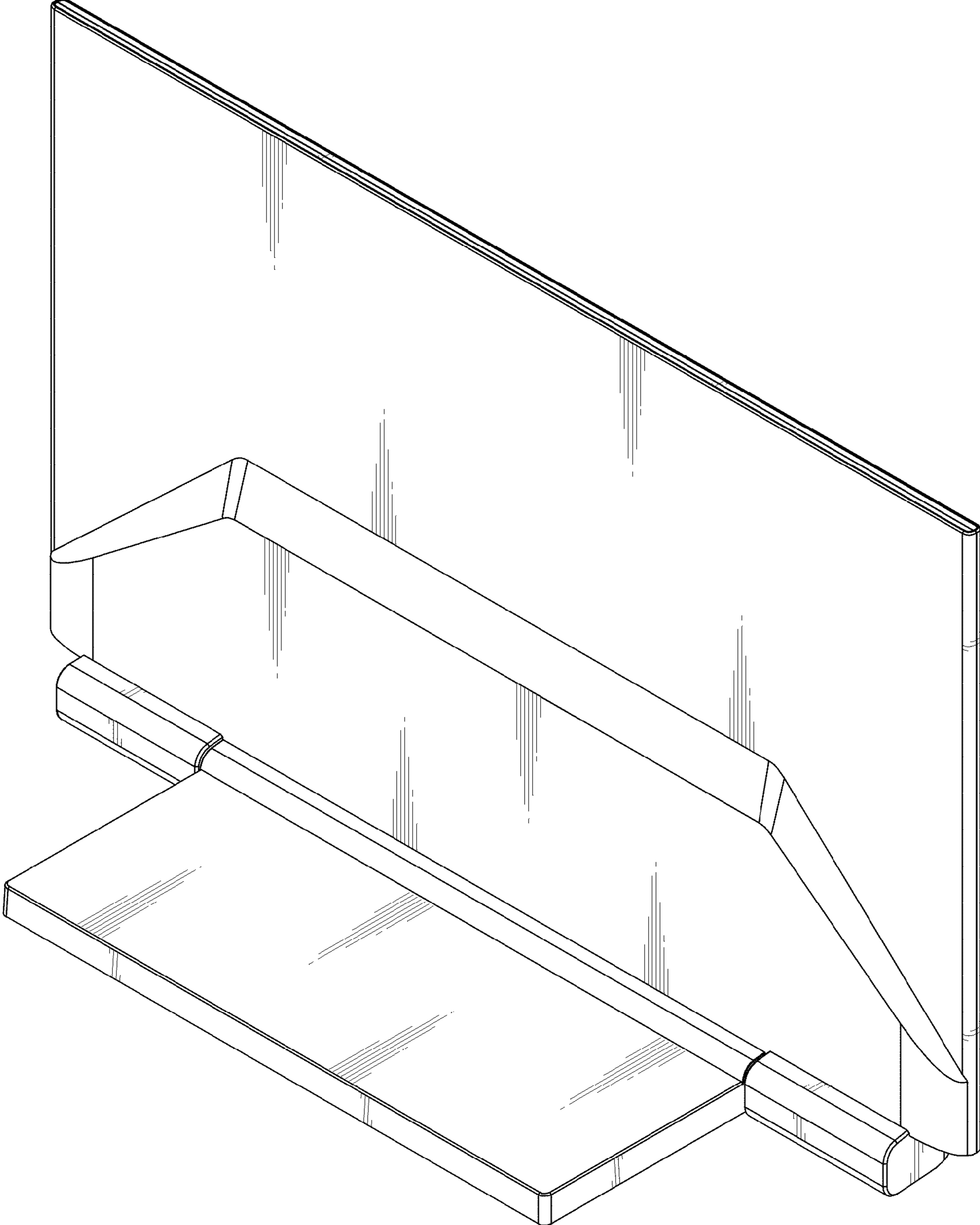


FIG.8