



US00D645040S

(12) **United States Design Patent**
Morton et al.

(10) **Patent No.:** **US D645,040 S**
(45) **Date of Patent:** **** Sep. 13, 2011**

(54) **HANDHELD ELECTRONIC DEVICE**

(75) Inventors: **Timothy J. Morton**, Austin, TX (US);
Rene E. Menard, III, Tampa, FL (US);
Christopher A. Torres, San Marcos, TX
(US)

(73) Assignee: **Sypris Electronics, LLC**, Tampa, FL
(US)

(**) Term: **14 Years**

(21) Appl. No.: **29/376,305**

(22) Filed: **Oct. 5, 2010**

(51) **LOC (9) Cl.** **14-02**

(52) **U.S. Cl.** **D14/341**

(58) **Field of Classification Search** D14/341-347,
D14/137, 138, 138.1, 138 AA, 138 R, 138 AB,
D14/138 AC, 138 AD, 138 C, 138 G, 496,
D14/203.1, 203.3, 203.4, 203.5, 203.6, 203.7,
D14/426, 427, 428, 432, 429, 129, 130, 420,
D14/439-441, 448, 125, 147, 156, 218, 247-248,
D14/250, 389, 336; D10/65, 104; D18/6-7;
D21/29, 686, 33, 324, 329, 330; D6/596,
D6/601, 605; D19/60; 345/169, 901, 905;
348/169; 361/814; 341/122; 346/173; 379/433.04,
379/433.07, 433.11, 433.12, 433.13, 910,
379/916, 433.01, 433.06

See application file for complete search history.

(56) **References Cited**

U.S. PATENT DOCUMENTS

D413,582	S	*	9/1999	Tompkins	D14/344
D493,457	S	*	7/2004	Hsu	D14/346
D497,161	S	*	10/2004	Chien	D14/346
D503,170	S	*	3/2005	Leviel et al.	D14/341
D510,576	S	*	10/2005	Summit et al.	D14/341
D532,326	S	*	11/2006	Ishii	D10/70
D612,356	S	*	3/2010	Chen	D14/138 AD
D633,088	S	*	2/2011	Liao	D14/341

* cited by examiner

Primary Examiner — Cathron Brooks

Assistant Examiner — Barbara Fox

(74) *Attorney, Agent, or Firm* — Law Offices of Thomas J. Brindisi

(57) **CLAIM**

The ornamental design for a handheld electronic device, as shown and described.

DESCRIPTION

FIG. 1 is a front view of a handheld electronic device showing our new design;

FIG. 2 is a rear view of thereof;

FIGS. 3 and 4 are side views thereof;

FIG. 5 is a top view thereof;

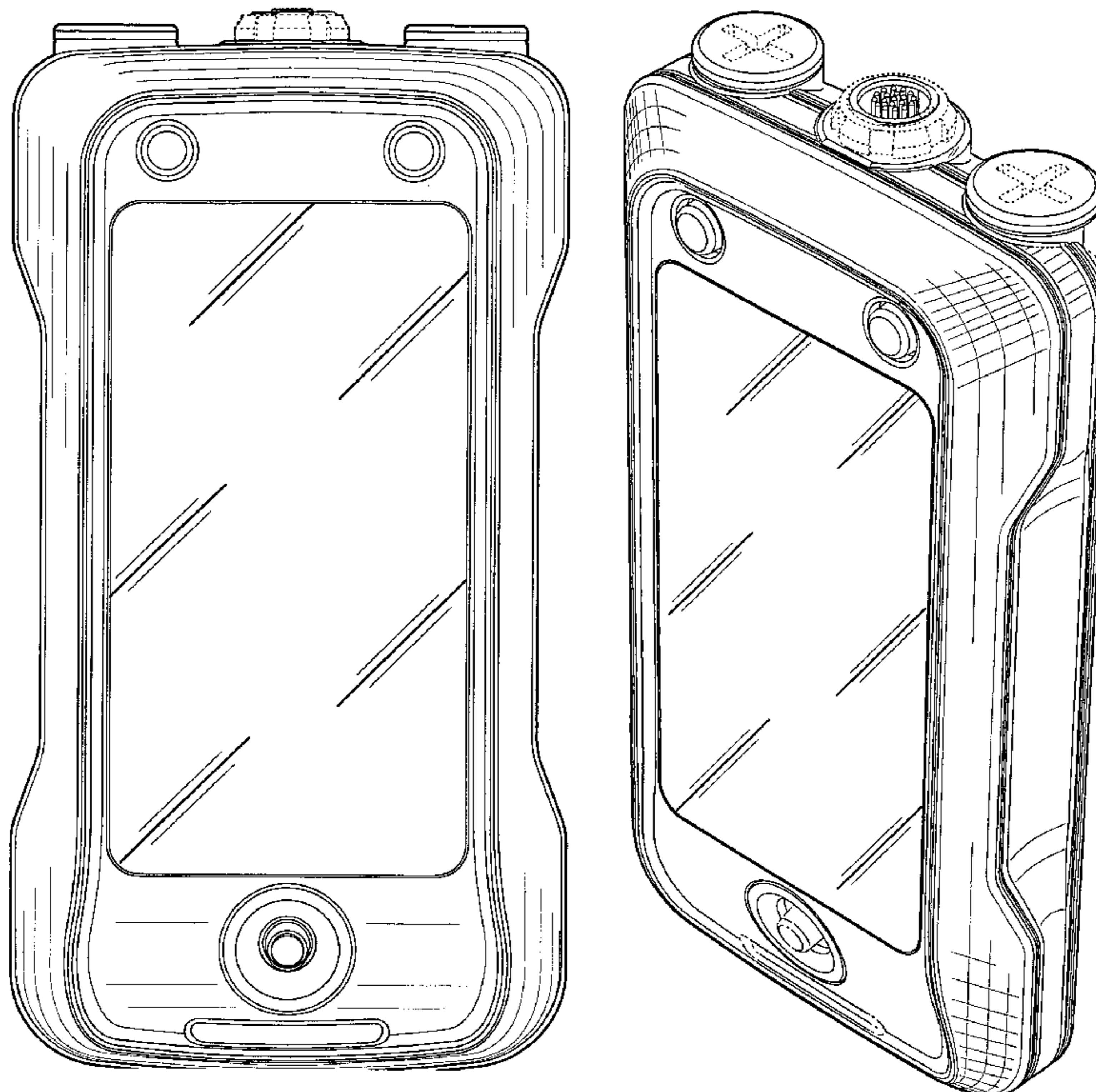
FIG. 6 is a bottom view thereof;

FIG. 7 is a front perspective view thereof; and,

FIG. 8 is a rear perspective view thereof.

The broken lines in the drawings illustrate unclaimed portions of the handheld electronic device and form no part of the claimed design.

1 Claim, 8 Drawing Sheets



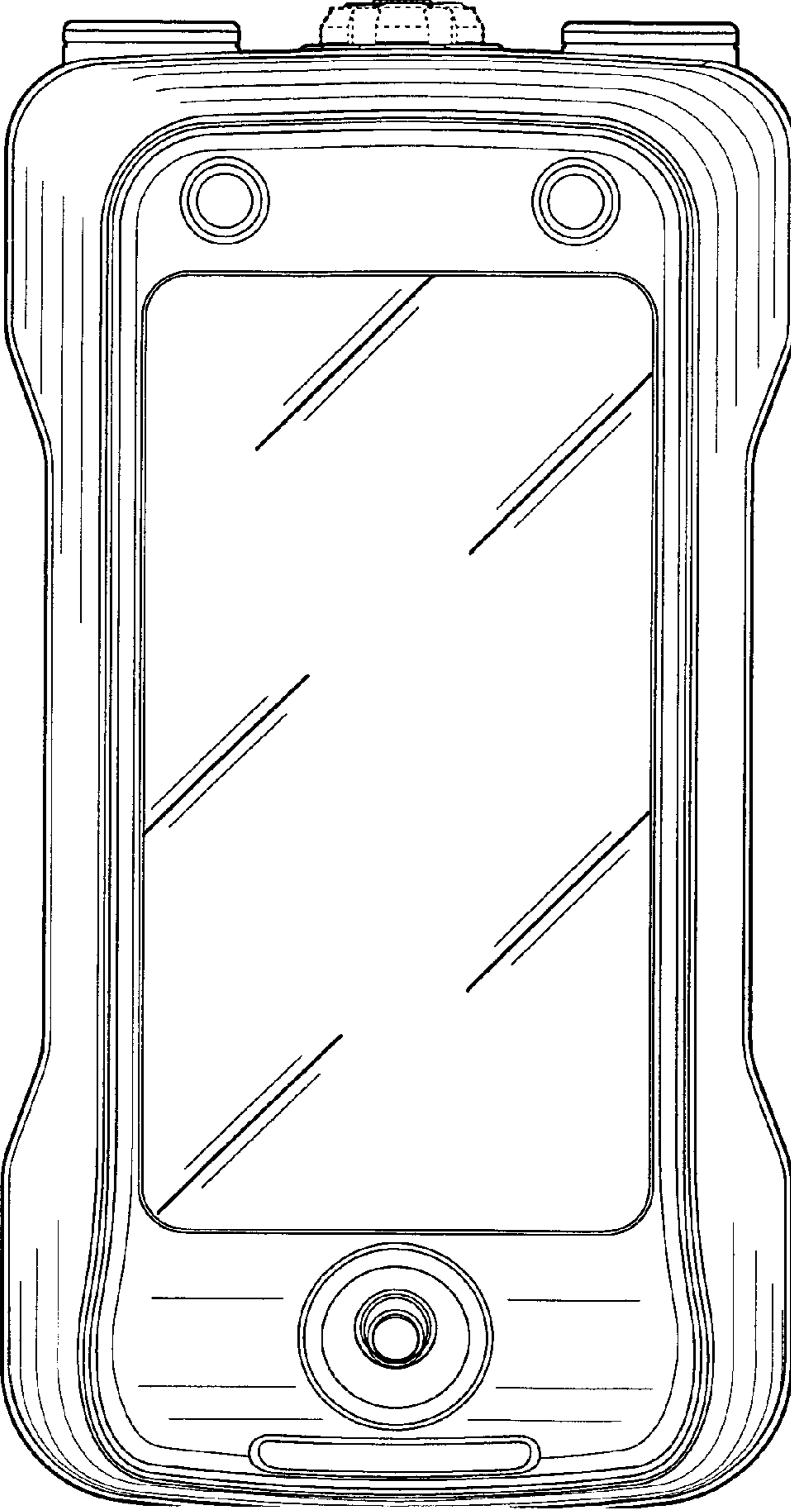


Fig. 1

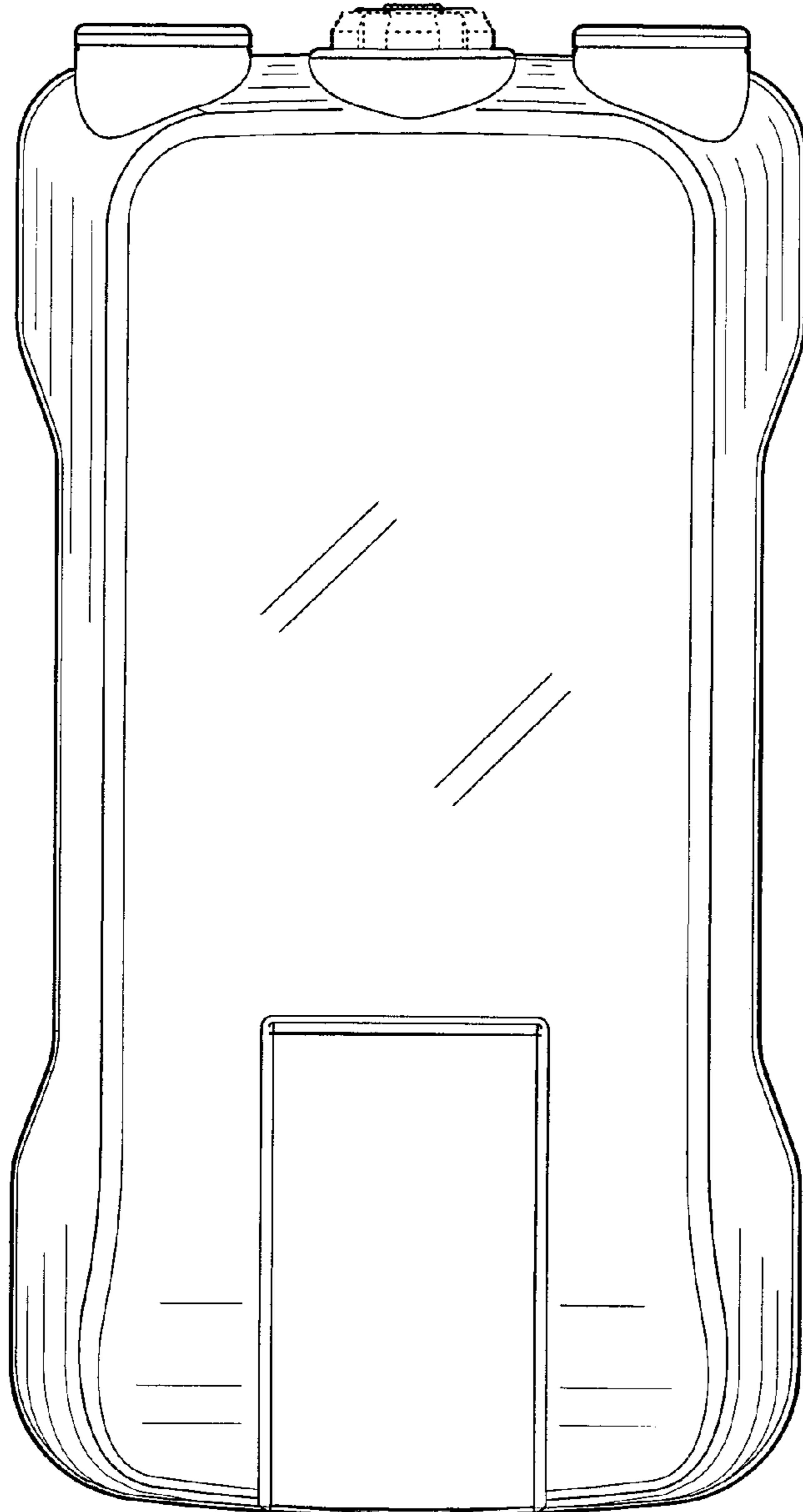


Fig. 2

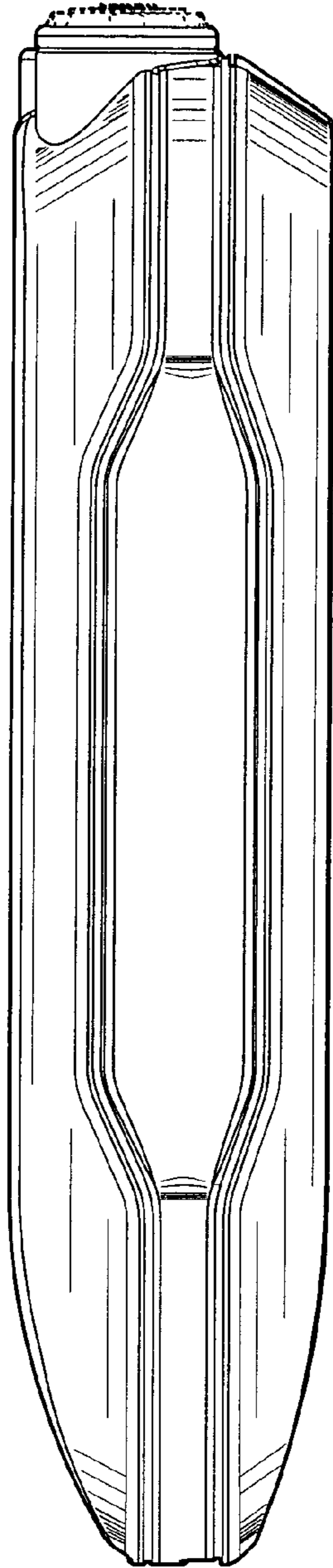


Fig. 3

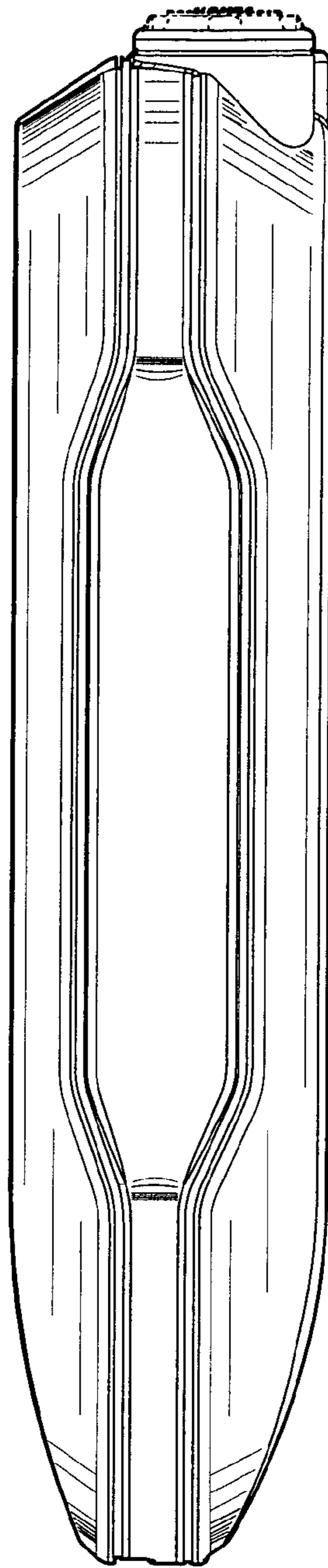


Fig. 4

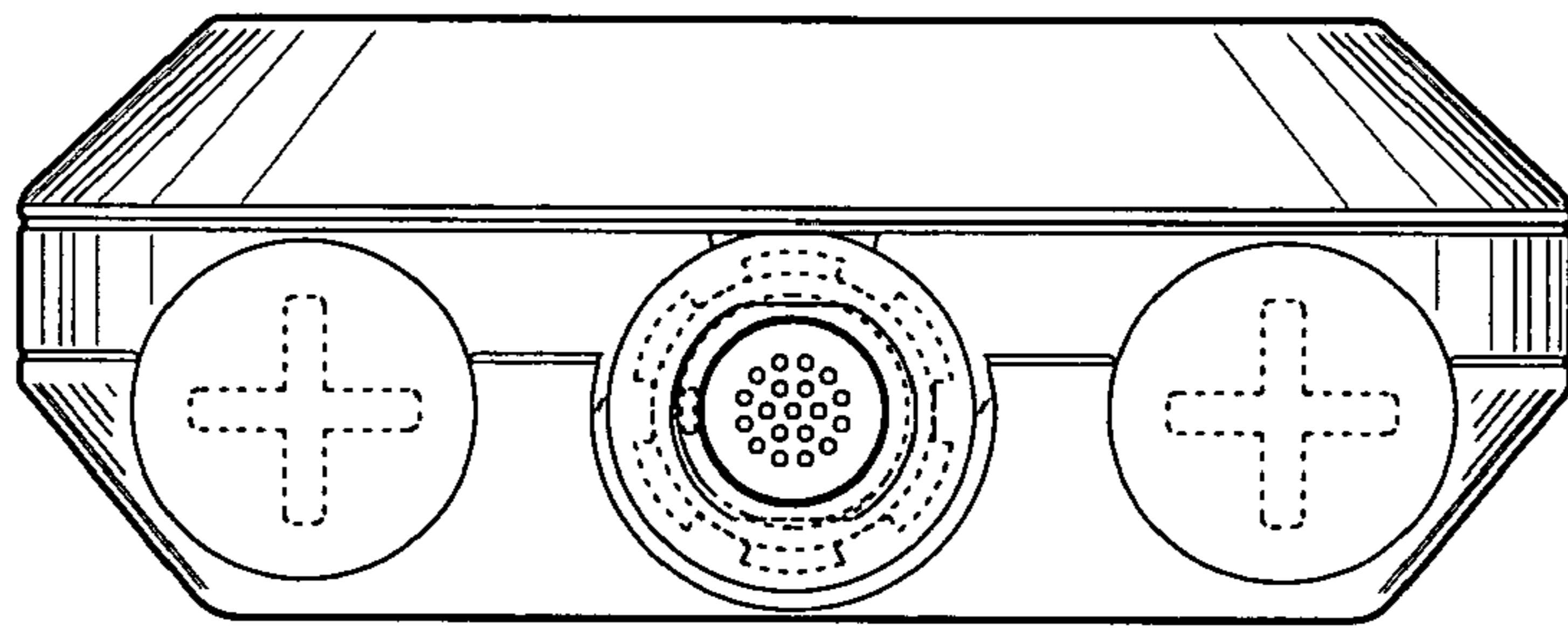


Fig. 5

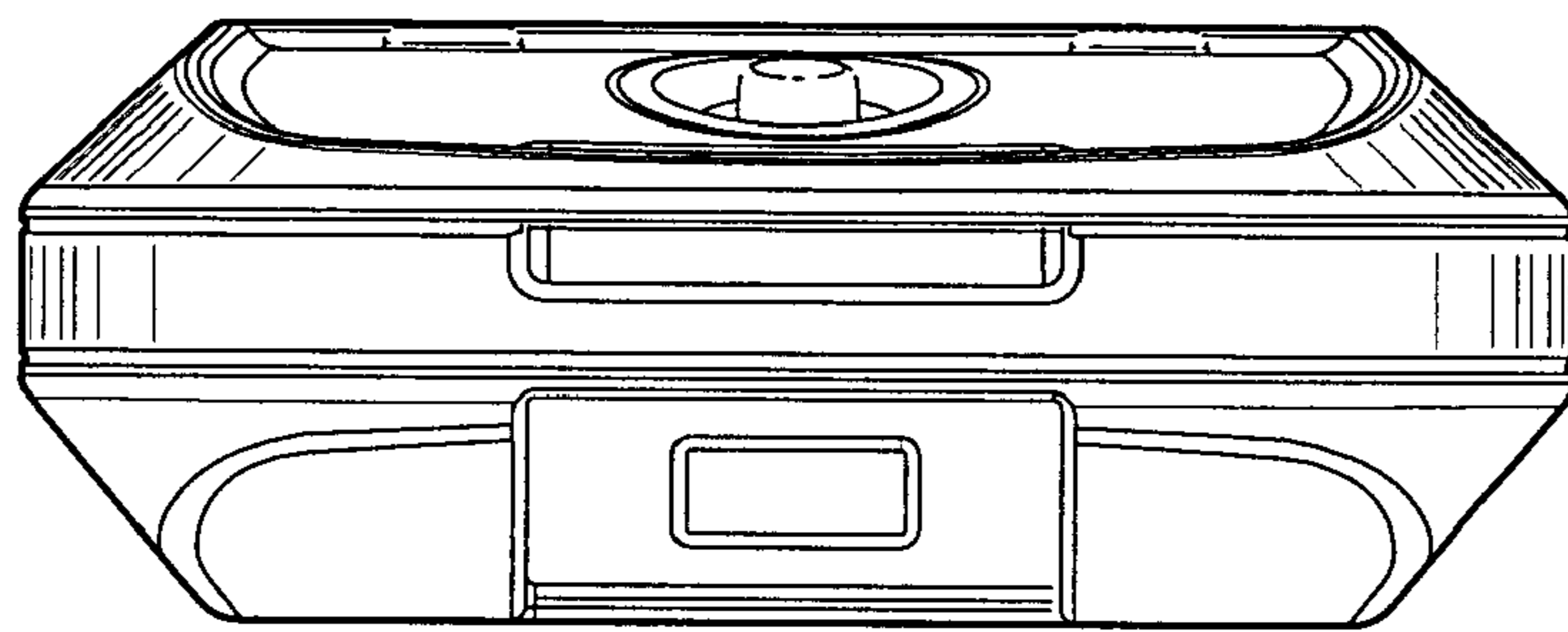


Fig. 6

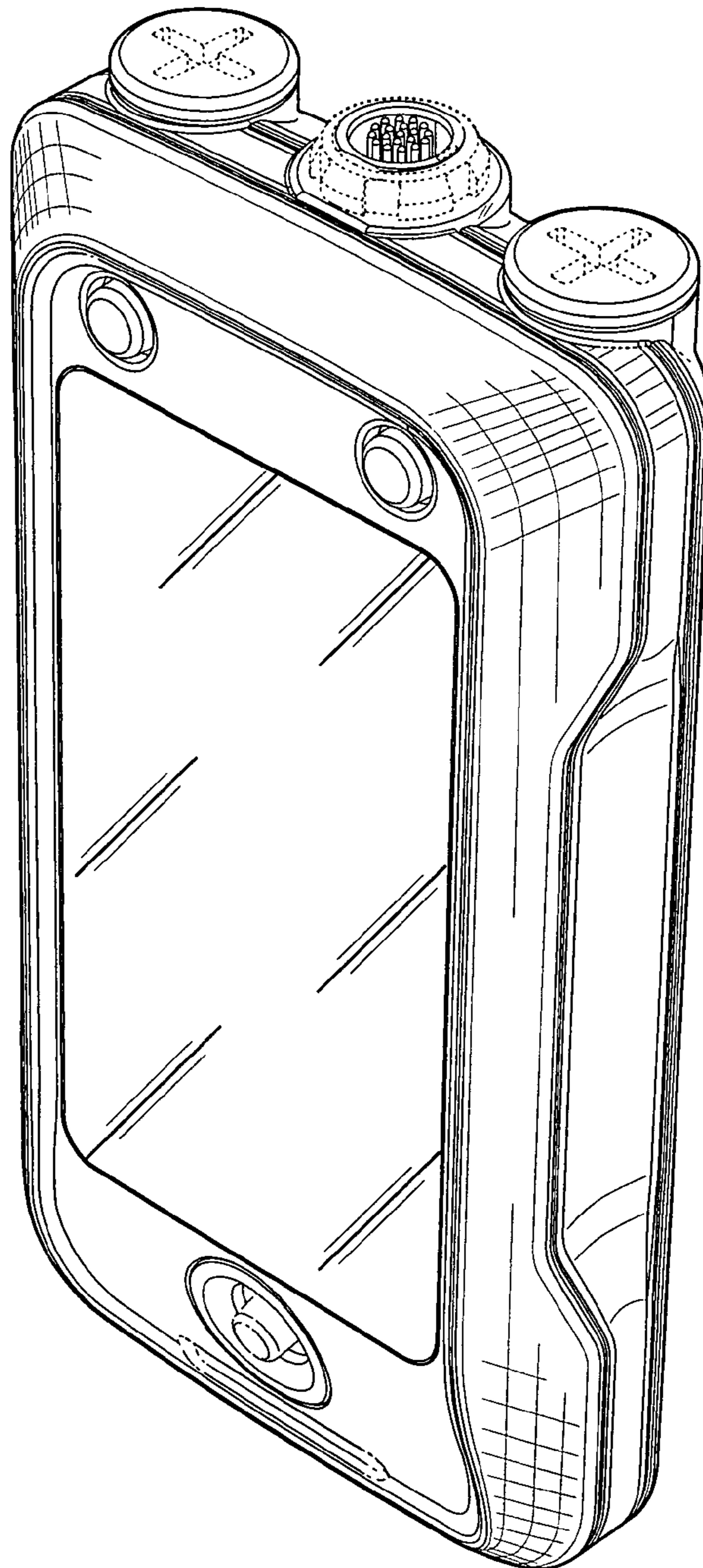


Fig. 7

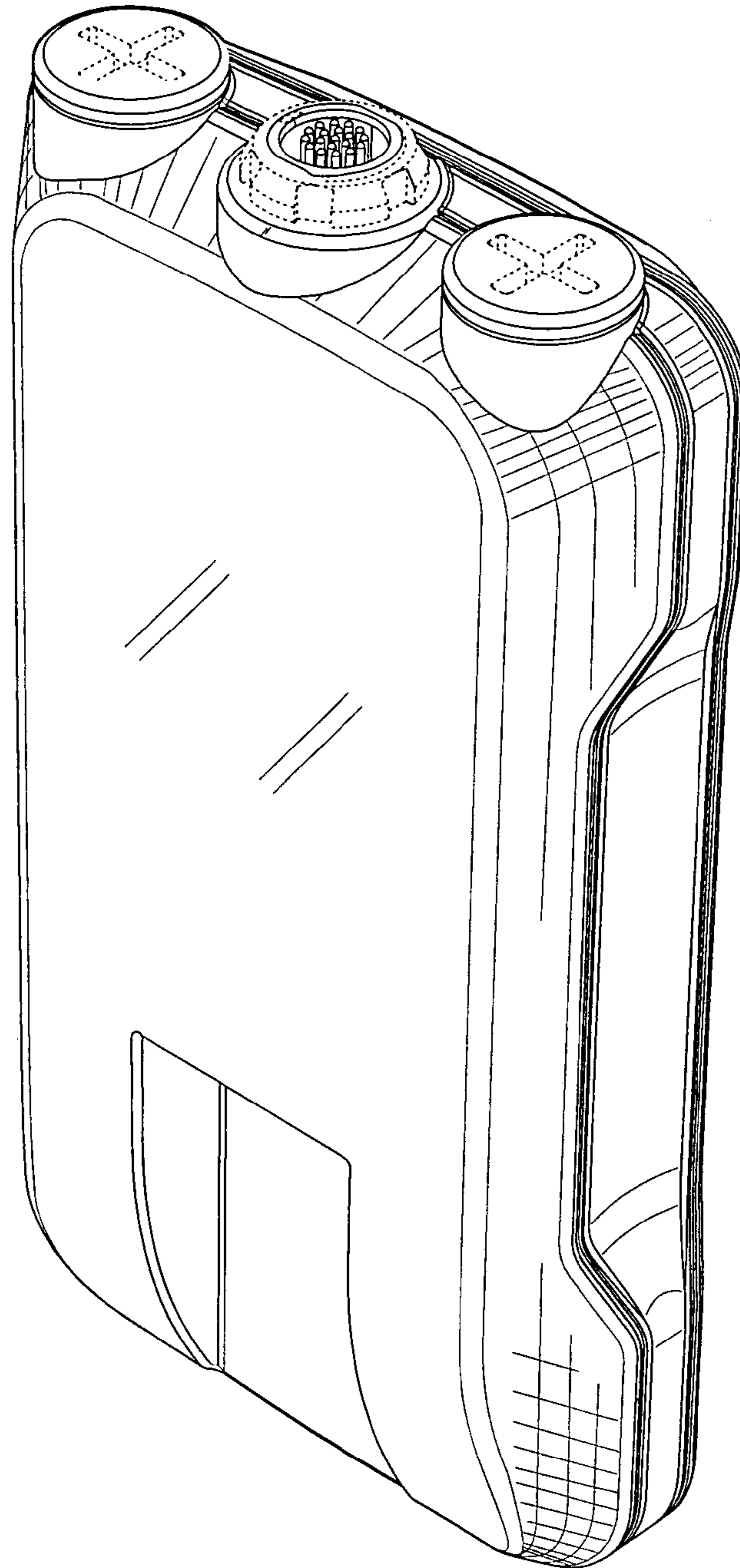


Fig. 8