



US00D645039S

(12) **United States Design Patent**
Chen

(10) **Patent No.:** **US D645,039 S**

(45) **Date of Patent:** **** Sep. 13, 2011**

(54) **EBOOK READER**

(75) **Inventor:** **Chih-Chung Chen, Tu-Cheng (TW)**

(73) **Assignee:** **Cheng UEI Precision Industry Co., Ltd., Tu-Cheng, Taipei Hsien (TW)**

(**) **Term:** **14 Years**

(21) **Appl. No.:** **29/376,058**

(22) **Filed:** **Sep. 30, 2010**

(51) **LOC (9) Cl.** **14-02**

(52) **U.S. Cl.** **D14/341**

(58) **Field of Classification Search** D14/341-347,
D14/137, 138, 138.1, 138 AA, 138 R, 138 AB,
D14/138 G, 138 A, 496, 426, 429, 129, 130,
D14/420, 439-441, 448, 125-126, 147, 156,
D14/218, 250, 336, 203.1, 203.3, 203.4, 203.7,
D14/315, 388-390, 485-486; D21/324,
D21/329, 330; D10/65, 104; 345/169, 901,
345/905, 156, 157, 168, 173; 379/433.04,
379/433.07, 433.11, 916, 433.01, 433.06;
361/680, 686, 679.27, 679.3

See application file for complete search history.

(56) **References Cited**

U.S. PATENT DOCUMENTS

| | | | | |
|--------------|---------|--------------|-------|---------|
| D429,704 S * | 8/2000 | Kang | | D13/182 |
| D442,567 S * | 5/2001 | Kang | | D13/182 |
| D581,151 S * | 11/2008 | Aipa | | D3/201 |
| D584,302 S * | 1/2009 | Sogabe | | D14/341 |
| D587,896 S * | 3/2009 | Aipa | | D3/201 |
| D602,491 S * | 10/2009 | Jiang et al. | | D14/346 |

| | | | | |
|-------------------|---------|----------------|-------|-----------|
| D604,263 S * | 11/2009 | Kim | | D14/138 G |
| D606,532 S * | 12/2009 | de Jong et al. | | D14/250 |
| D613,281 S * | 4/2010 | Wang et al. | | D14/248 |
| D613,286 S * | 4/2010 | Lee et al. | | D14/341 |
| D614,180 S * | 4/2010 | Gou | | D14/318 |
| D629,787 S * | 12/2010 | Lee | | D14/203.7 |
| D630,207 S * | 1/2011 | Seong | | D14/341 |
| 2010/0188327 A1 * | 7/2010 | Frid et al. | | 345/156 |

* cited by examiner

Primary Examiner — Cathron Brooks

Assistant Examiner — Barbara Fox

(74) *Attorney, Agent, or Firm* — Cheng Ju Chiang

(57) **CLAIM**

The ornamental design for an ebook reader, as shown and described.

DESCRIPTION

FIG. 1 is a perspective view of an ebook reader showing my new design;

FIG. 2 is a front elevational view thereof;

FIG. 3 is a rear elevational view thereof;

FIG. 4 is a left side elevational view thereof;

FIG. 5 is a right side elevational view thereof;

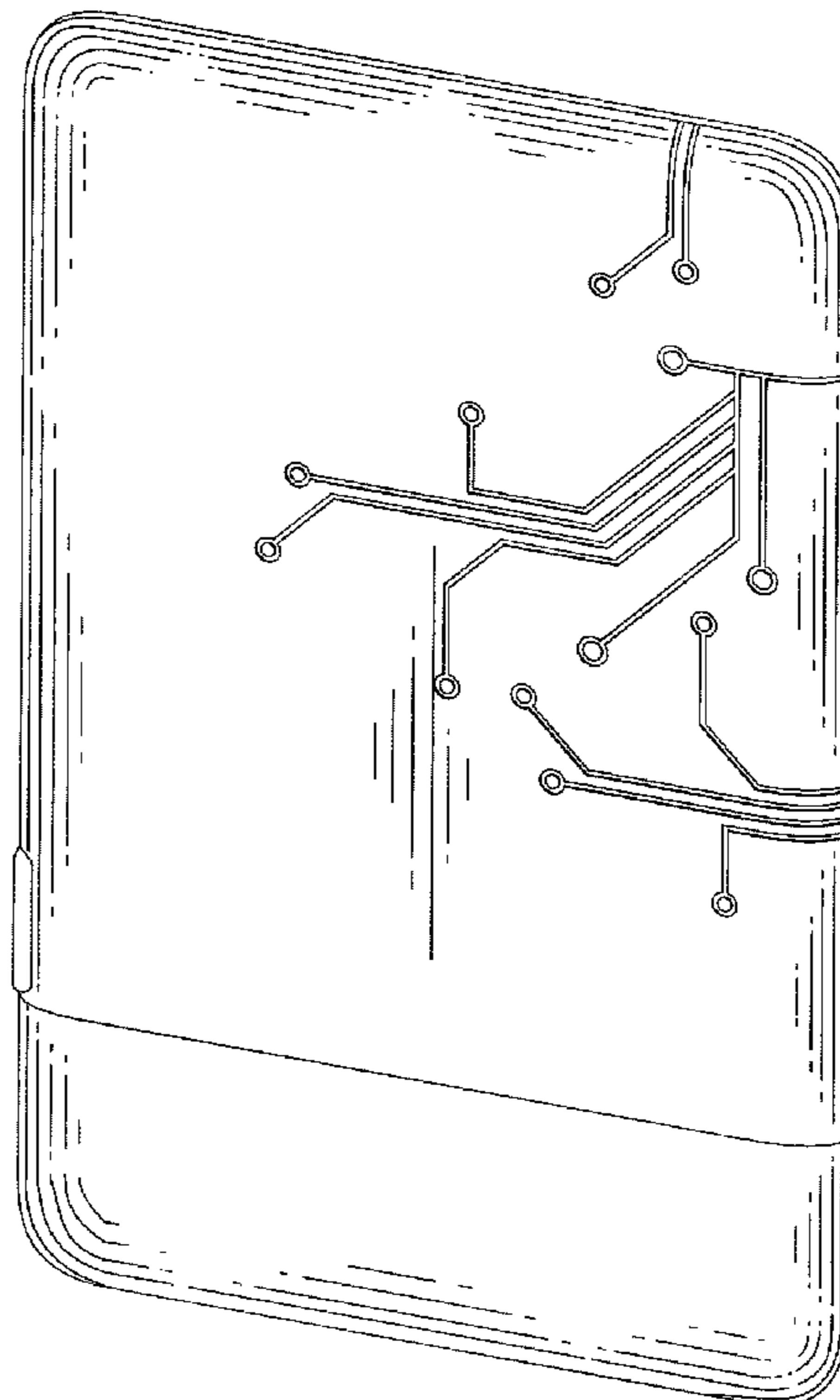
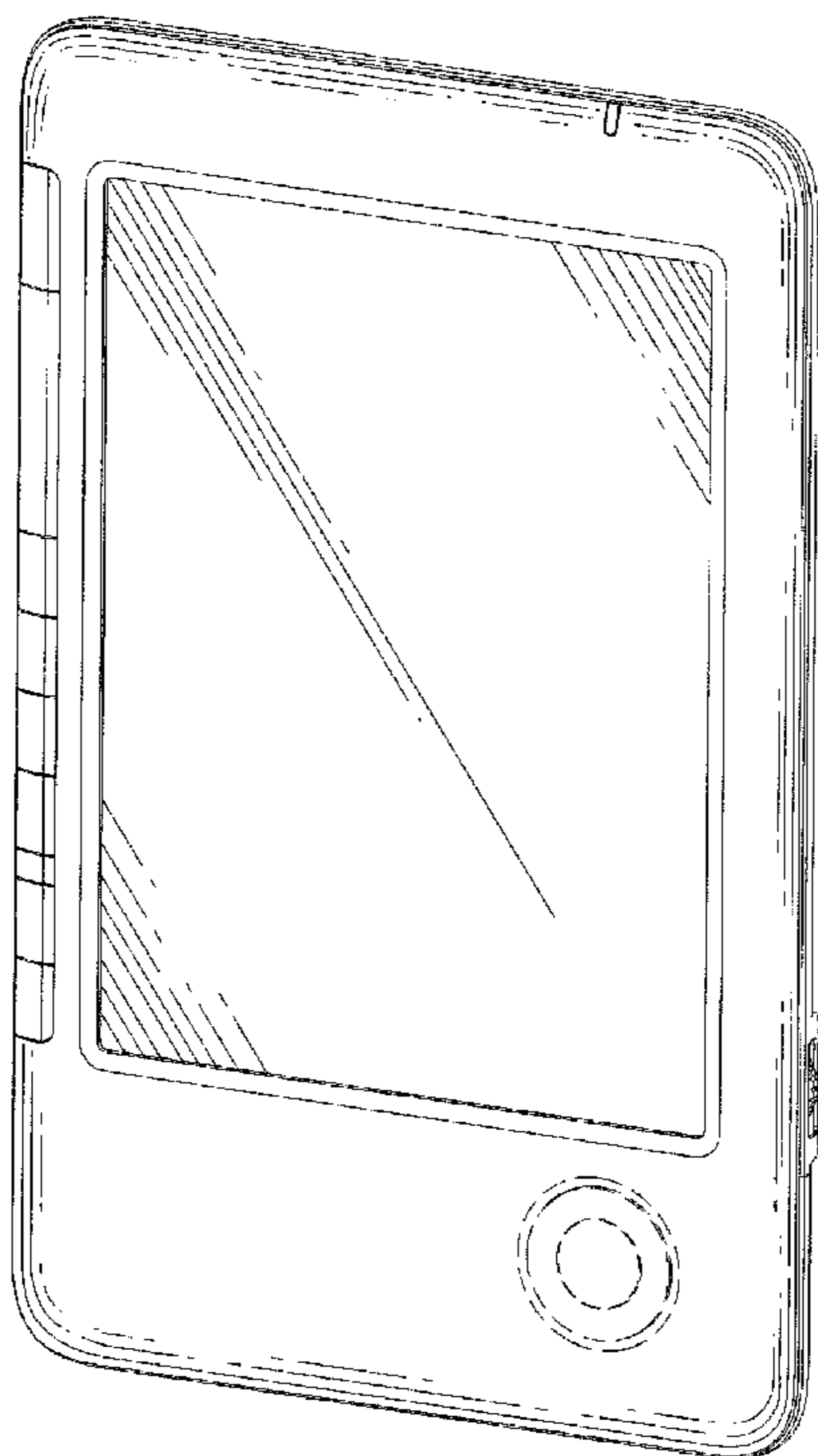
FIG. 6 is a top plan view thereof;

FIG. 7 is a bottom plan view thereof; and,

FIG. 8 is another perspective view of the ebook reader showing my new design.

The broken lines shown in the drawings represent unclaimed portions of the ebook reader and form no part of the claimed design.

1 Claim, 8 Drawing Sheets



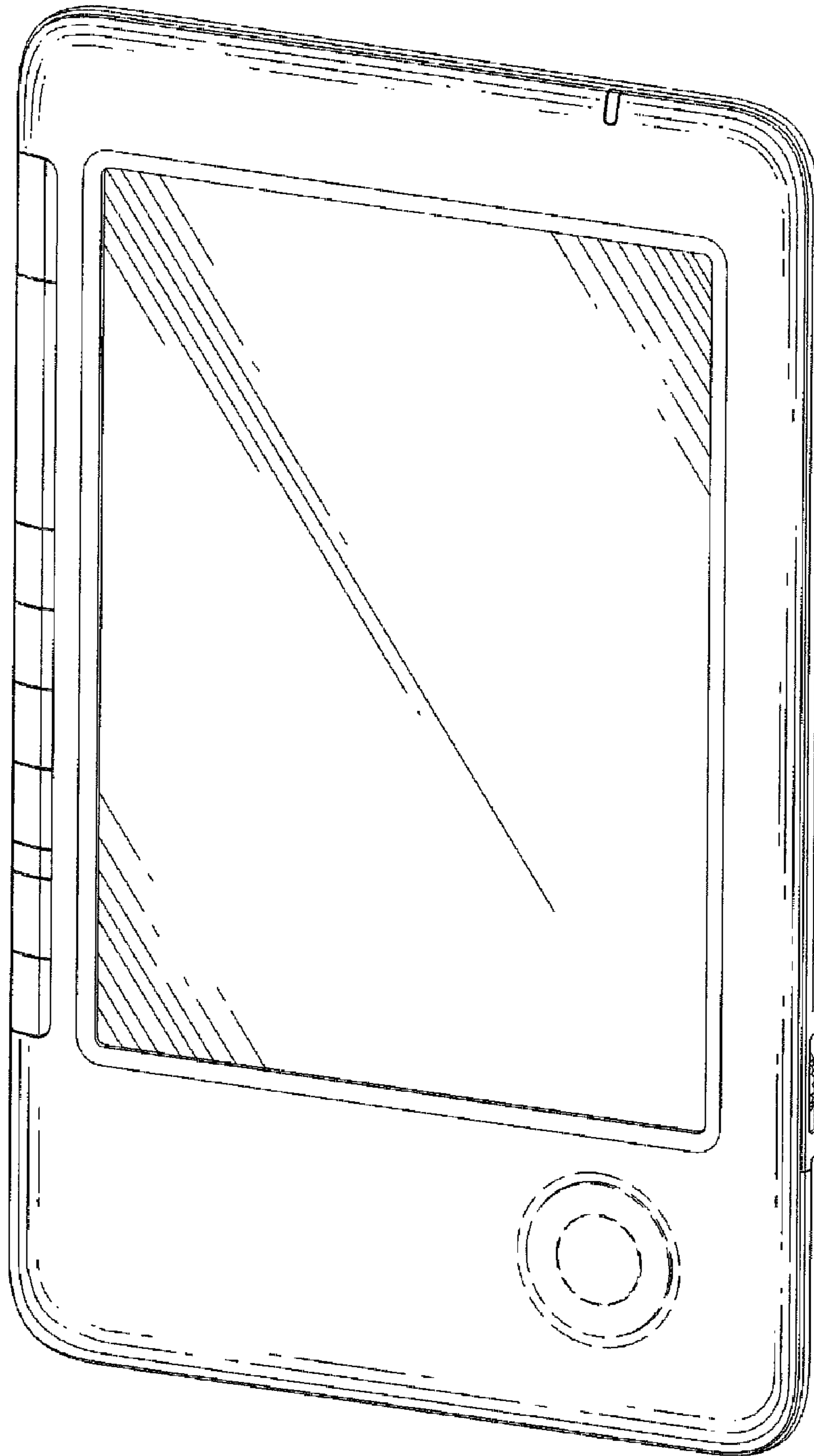


FIG. 1

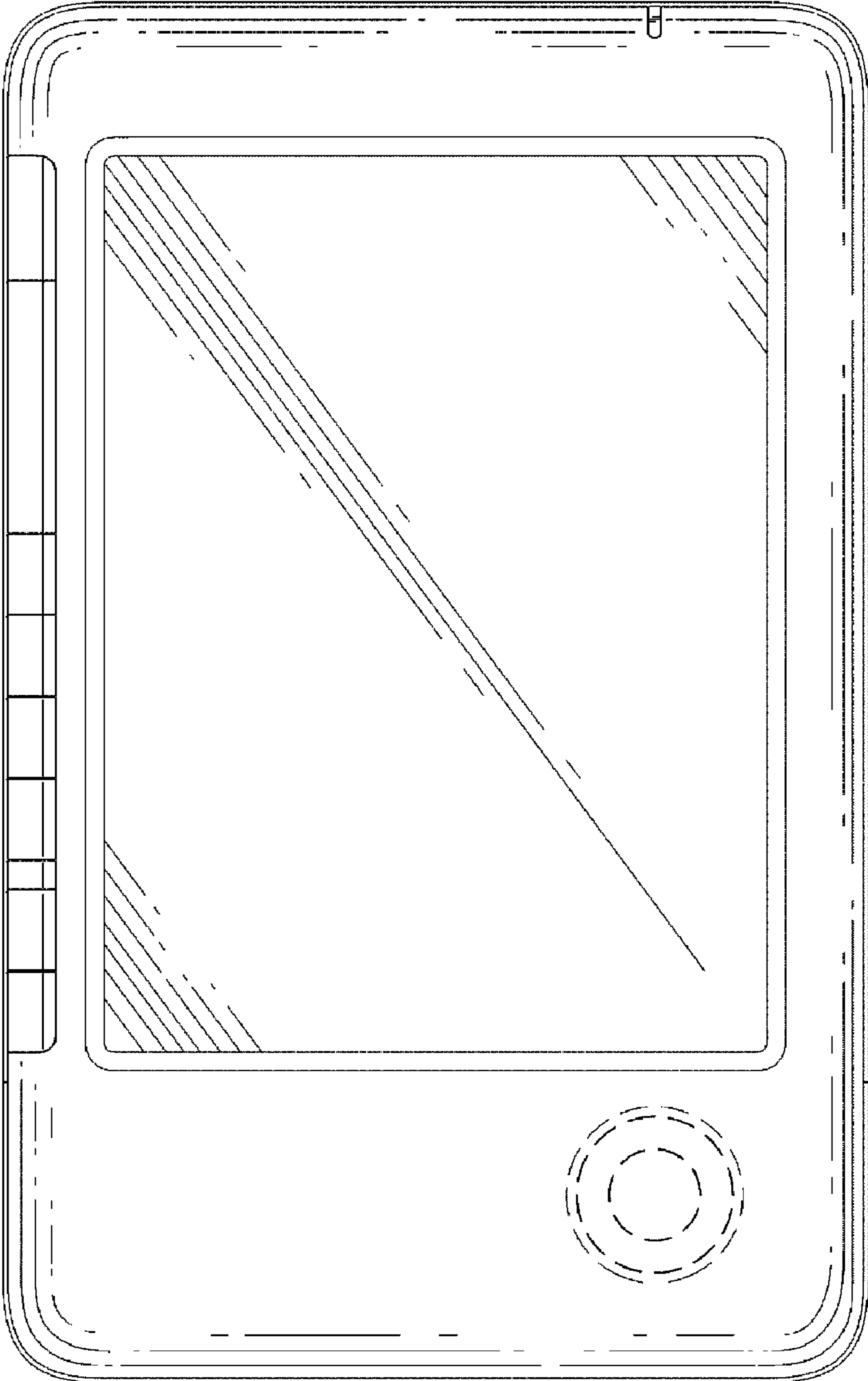


FIG. 2

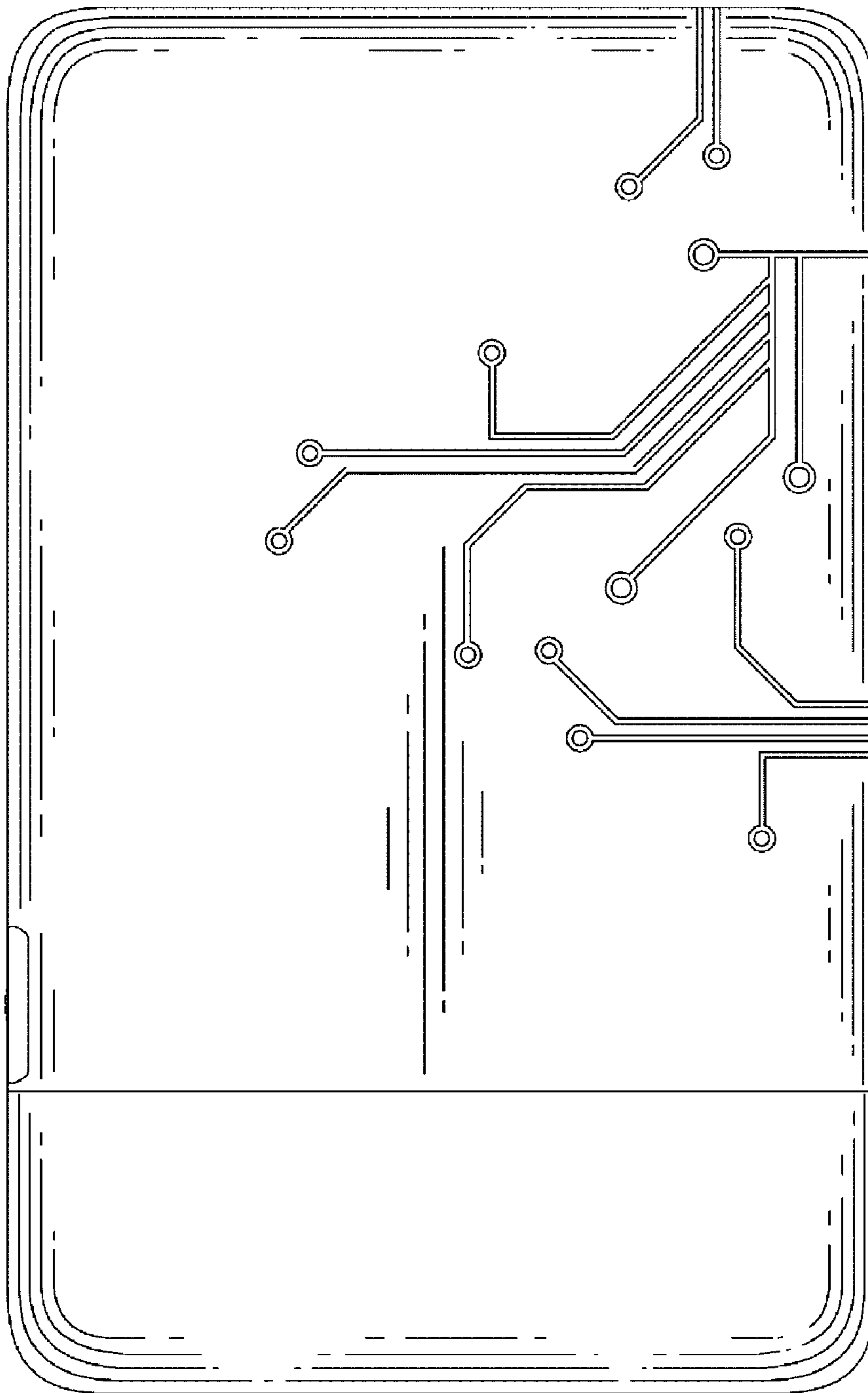


FIG. 3

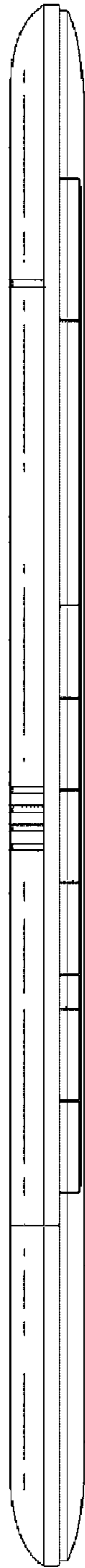


FIG. 4

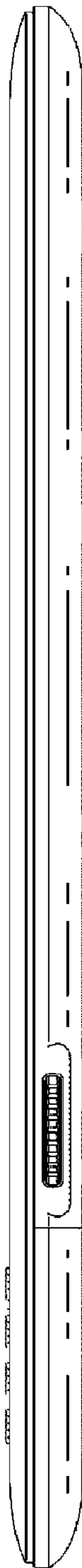


FIG. 5

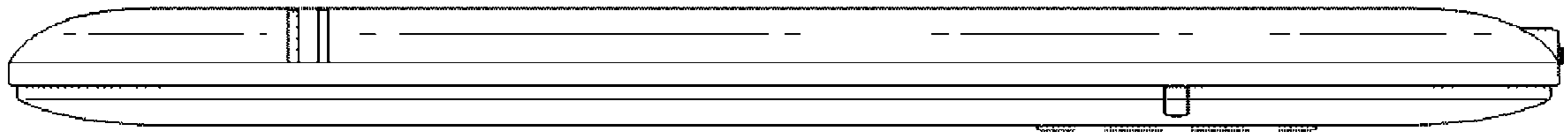


FIG. 6

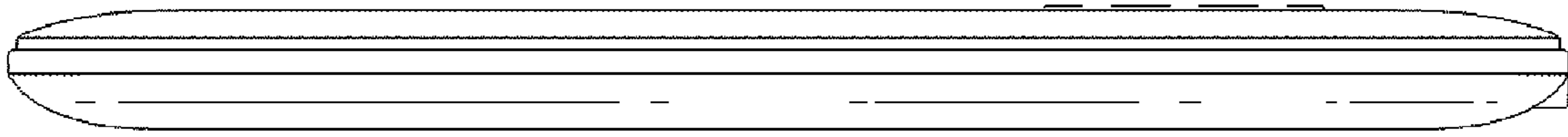


FIG. 7

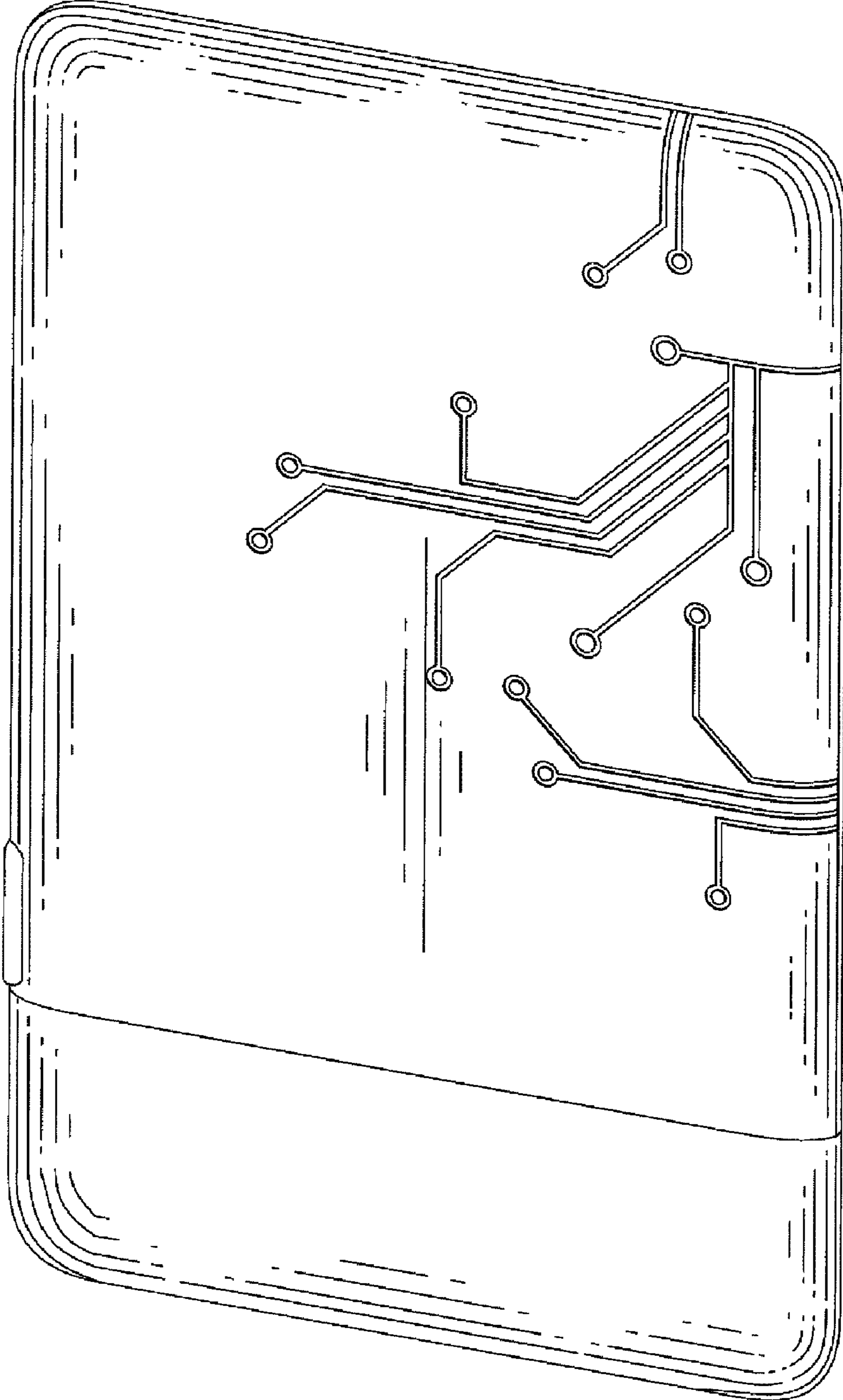


FIG. 8