



US00D645033S

(12) **United States Design Patent**
Quong et al.

(10) **Patent No.:** **US D645,033 S**

(45) **Date of Patent:** **** Sep. 13, 2011**

(54) **CRADLE FOR MOBILE COMMUNICATION DEVICE**

(75) Inventors: **Charles Quong**, Oceanside, CA (US);
Matthew Zilmer, Upland, CA (US);
Chi-Wen Chen, Taipei County (TW);
Iing kui He, Jiangsu (CN); **De guang Gao**, Jiangsu (CN)

(73) Assignee: **Mitac International Corp.**, Kuei-Shan Hsiang, Tao-Yuan Hsien (TW)

(**) Term: **14 Years**

(21) Appl. No.: **29/355,403**

(22) Filed: **Feb. 8, 2010**

(51) **LOC (9) Cl.** **14-03**

(52) **U.S. Cl.** **D14/253**

(58) **Field of Classification Search** D14/140,
D14/142, 147-148, 218, 224, 224.1, 229,
D14/240, 250-253, 299, 434, 452, 454, 447;
D8/355, 363, 373, 380; D12/415, 425;
248/206.2-206.4, 220.21, 279.1, 121, 131,
248/157; 379/426, 446, 454, 455, 449; 224/571;
D6/466, 467; D13/107-108; 320/113; D10/64;
D24/185

See application file for complete search history.

(56) **References Cited**

U.S. PATENT DOCUMENTS

D566,282 S * 4/2008 Al-Ali et al. D24/185
D587,605 S * 3/2009 Nichol D10/64
D605,645 S * 12/2009 Kettula D14/253
D627,771 S * 11/2010 Smith et al. D14/253

* cited by examiner

Primary Examiner — Susan Bennett Hattan

Assistant Examiner — Barbara B Lohr

(74) *Attorney, Agent, or Firm* — Winston Hsu; Scott Margo

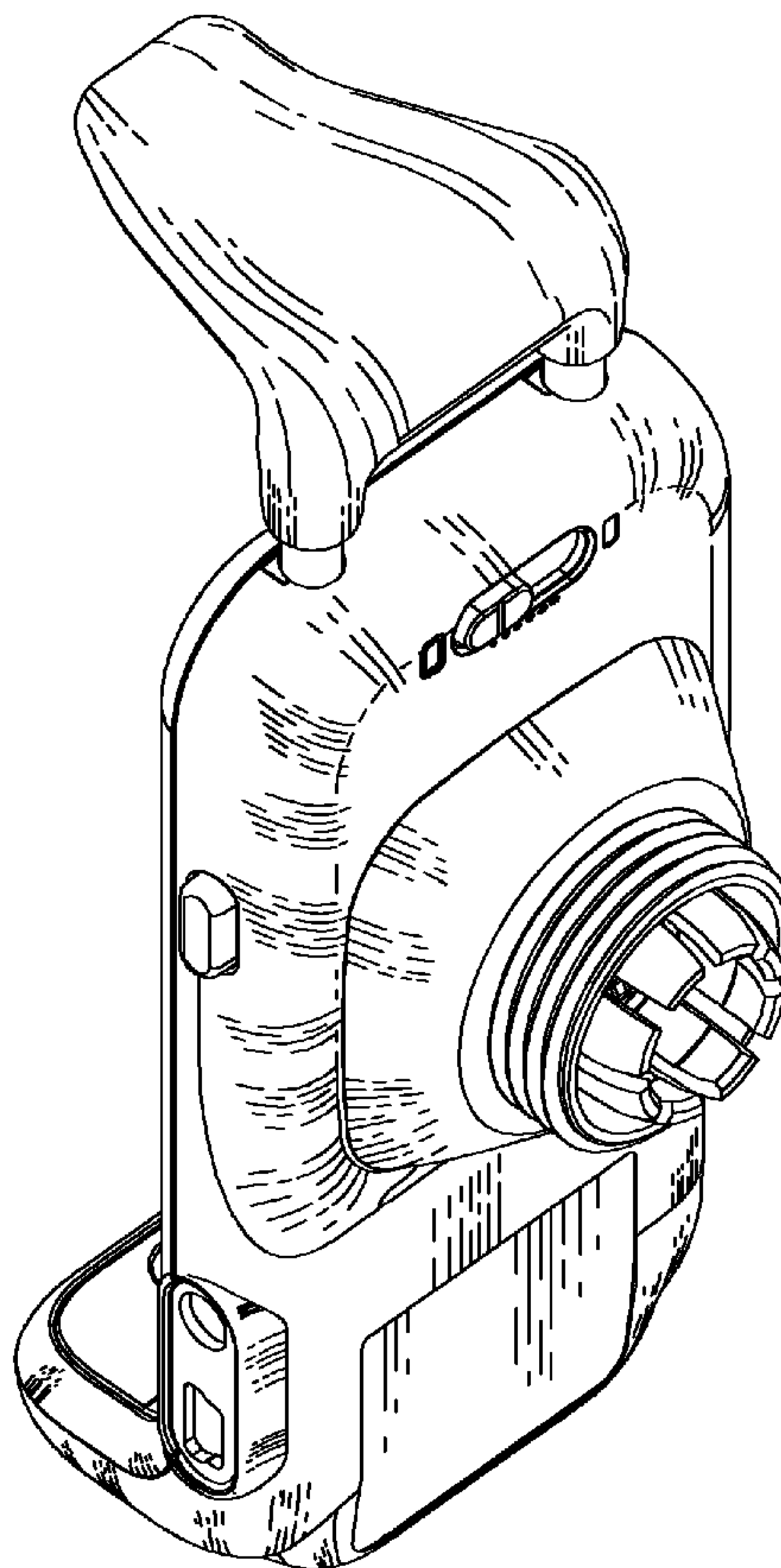
(57) **CLAIM**

The ornamental design for a cradle for a mobile communication device, as shown and described.

DESCRIPTION

FIG. 1 is a front perspective view of a cradle for a mobile communication device in accordance with the new design; FIG. 2 is a rear perspective view thereof; FIG. 3 is a front elevational view thereof; FIG. 4 is a rear elevational view thereof; FIG. 5 is a left side elevational view thereof; FIG. 6 is a right side elevational view thereof; FIG. 7 is a top plan view thereof; and, FIG. 8 is a bottom plan view thereof.

1 Claim, 8 Drawing Sheets



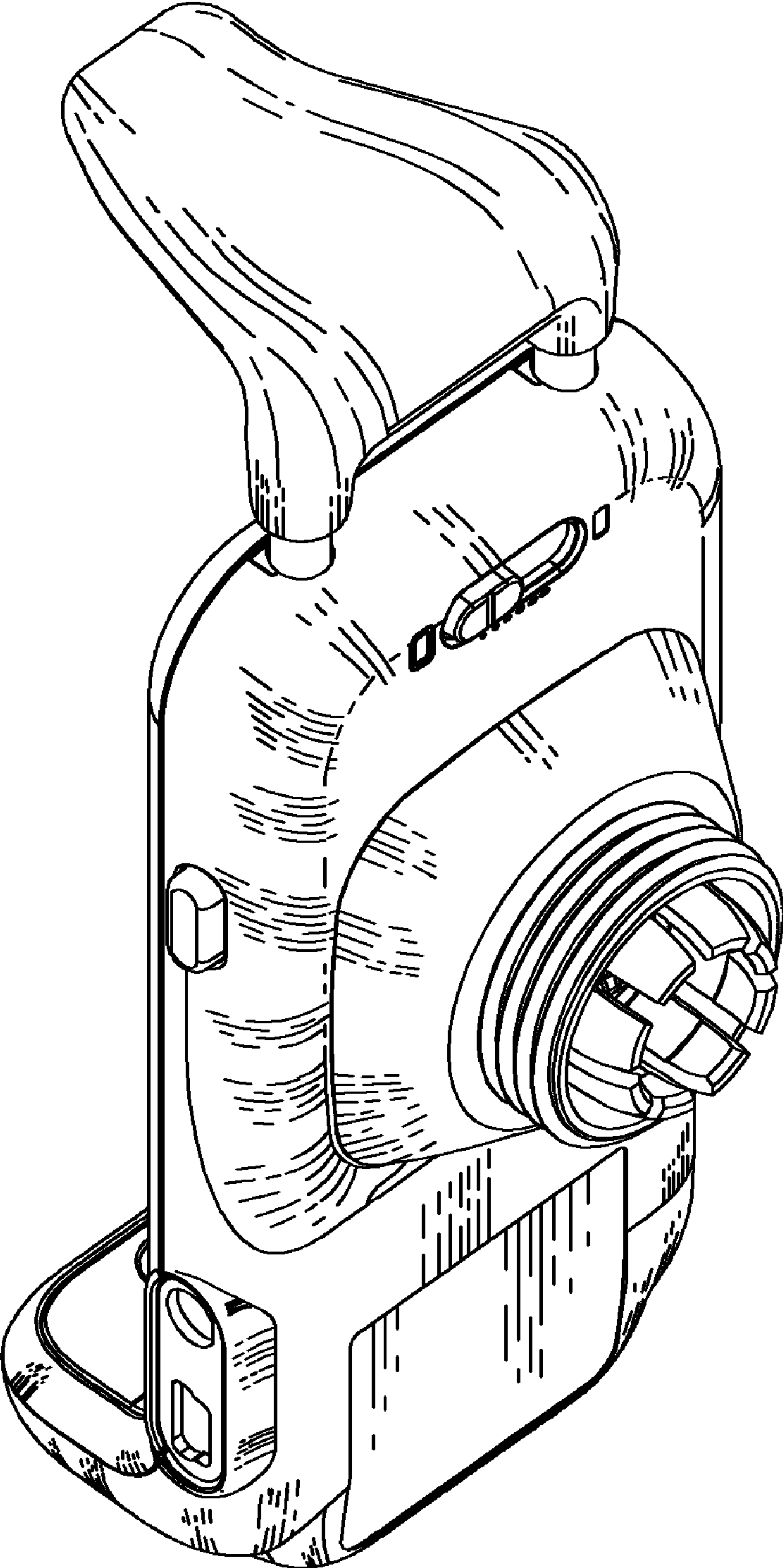


FIG. 1

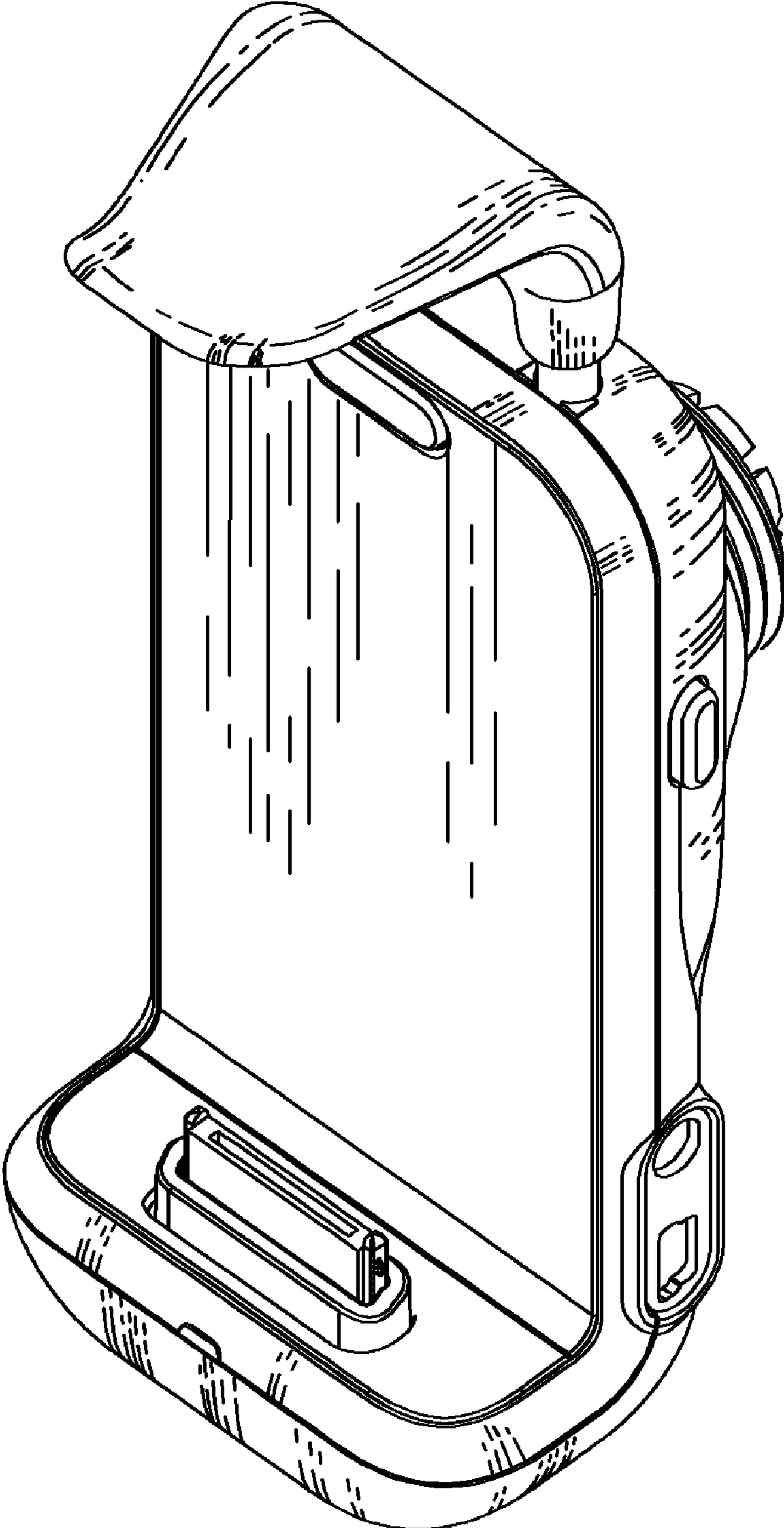


FIG. 2

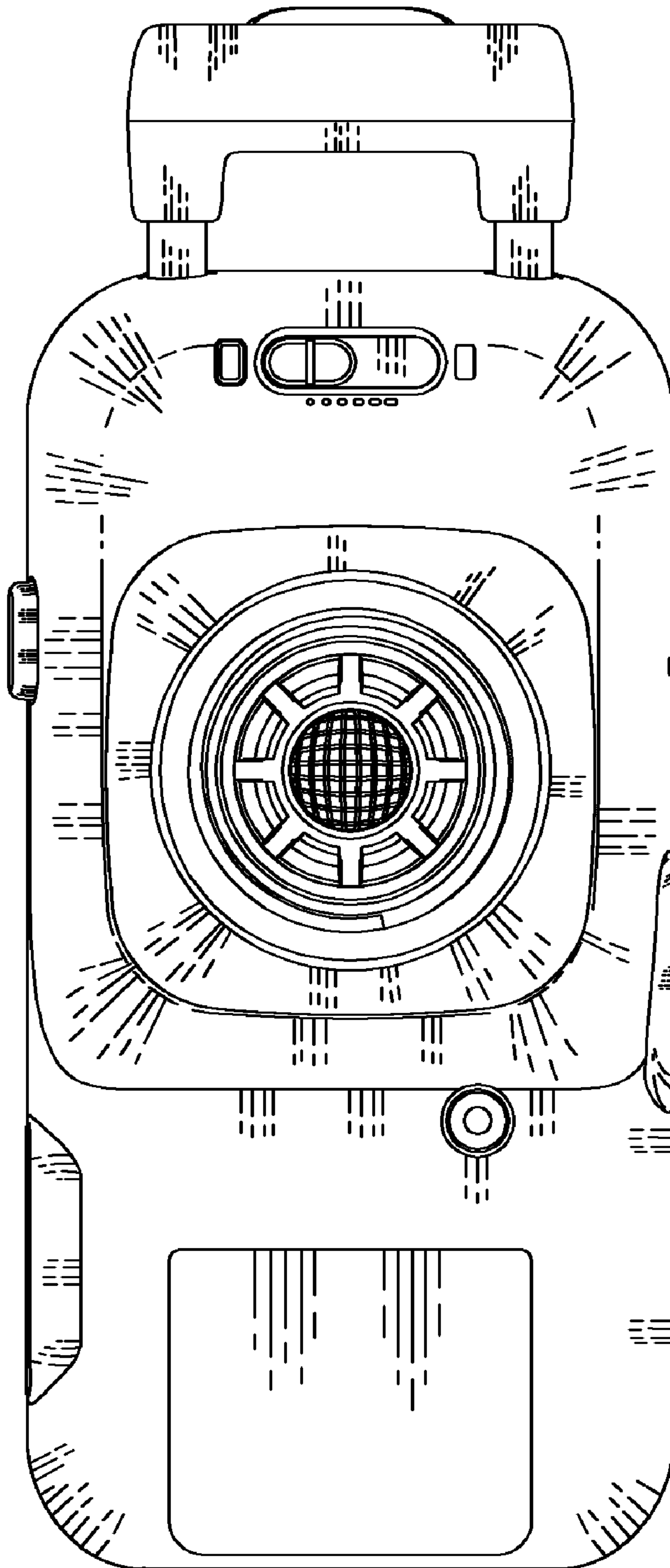


FIG. 3

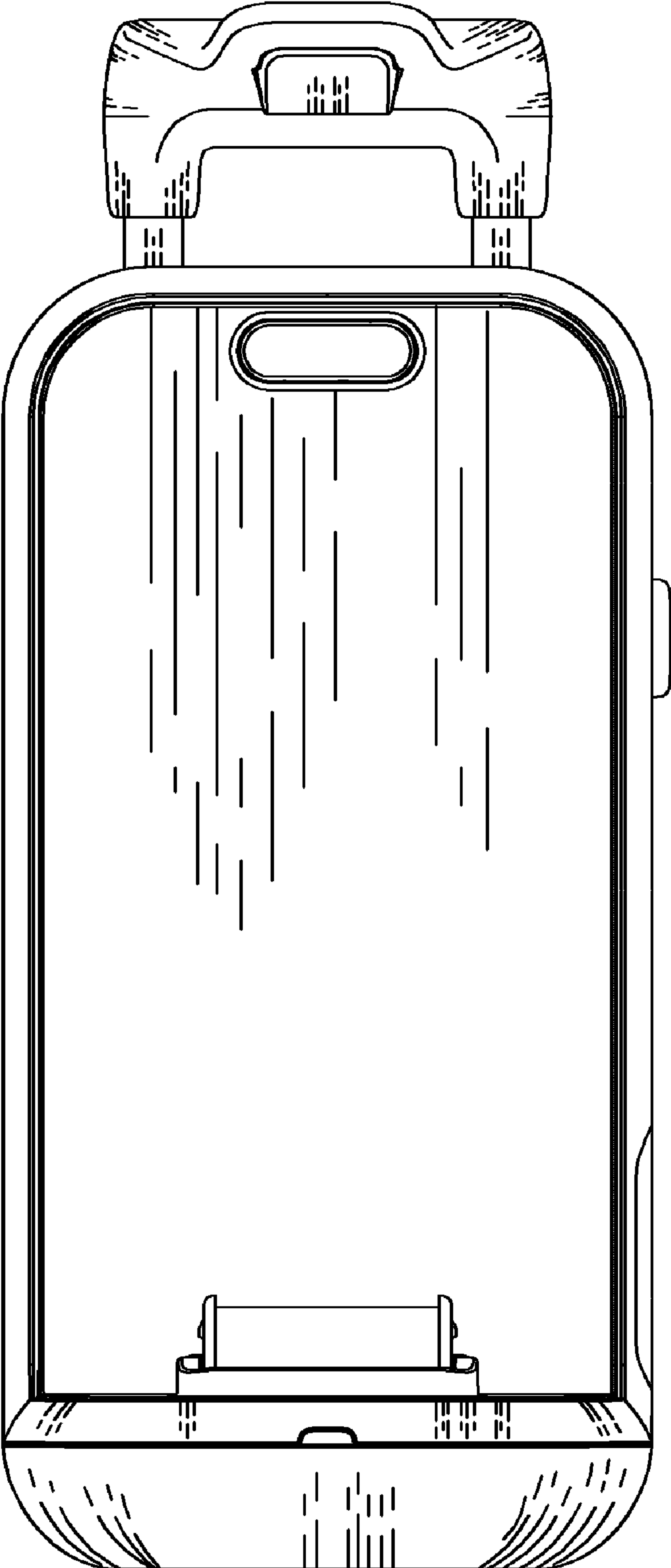


FIG. 4

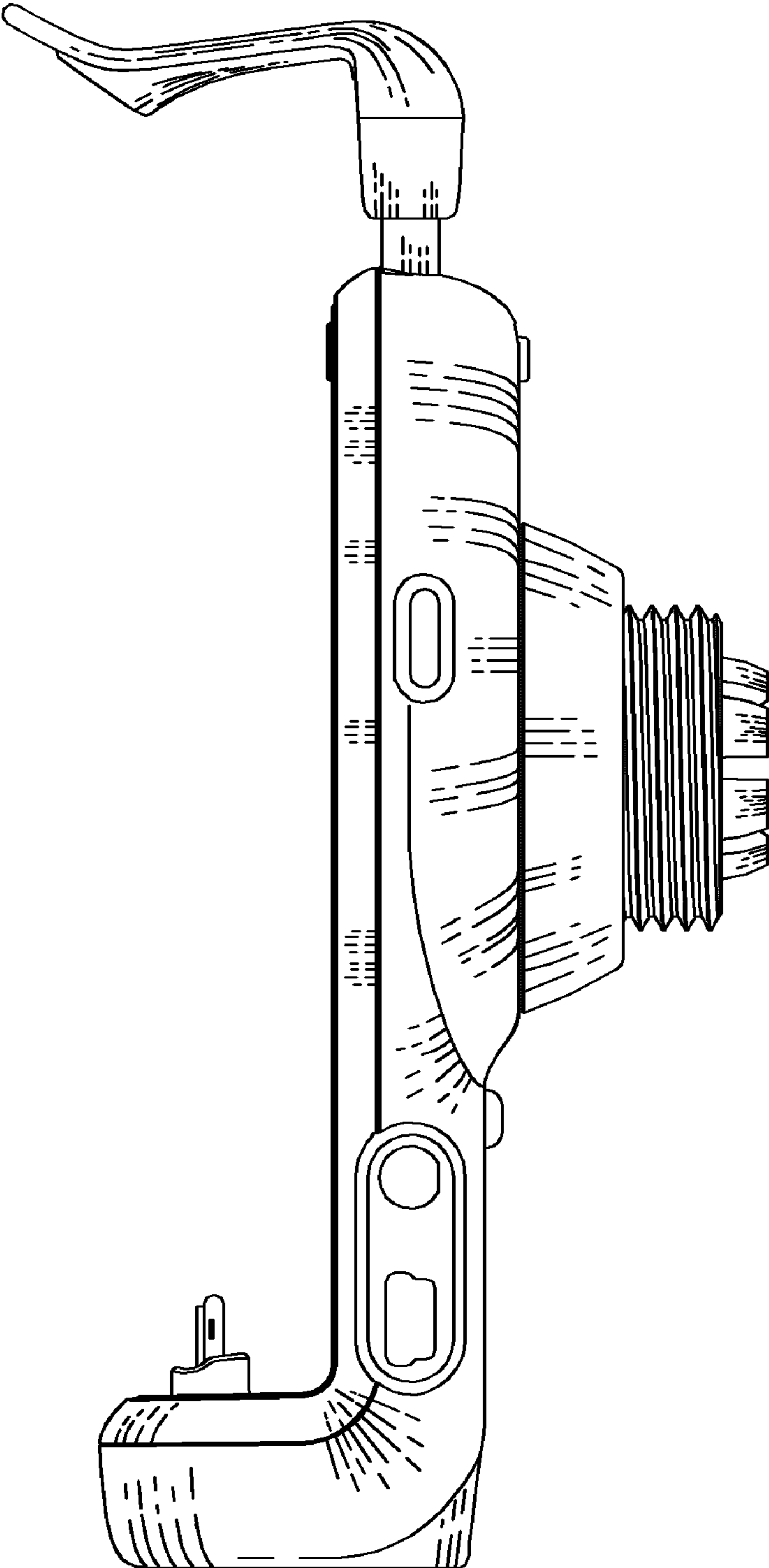


FIG. 5

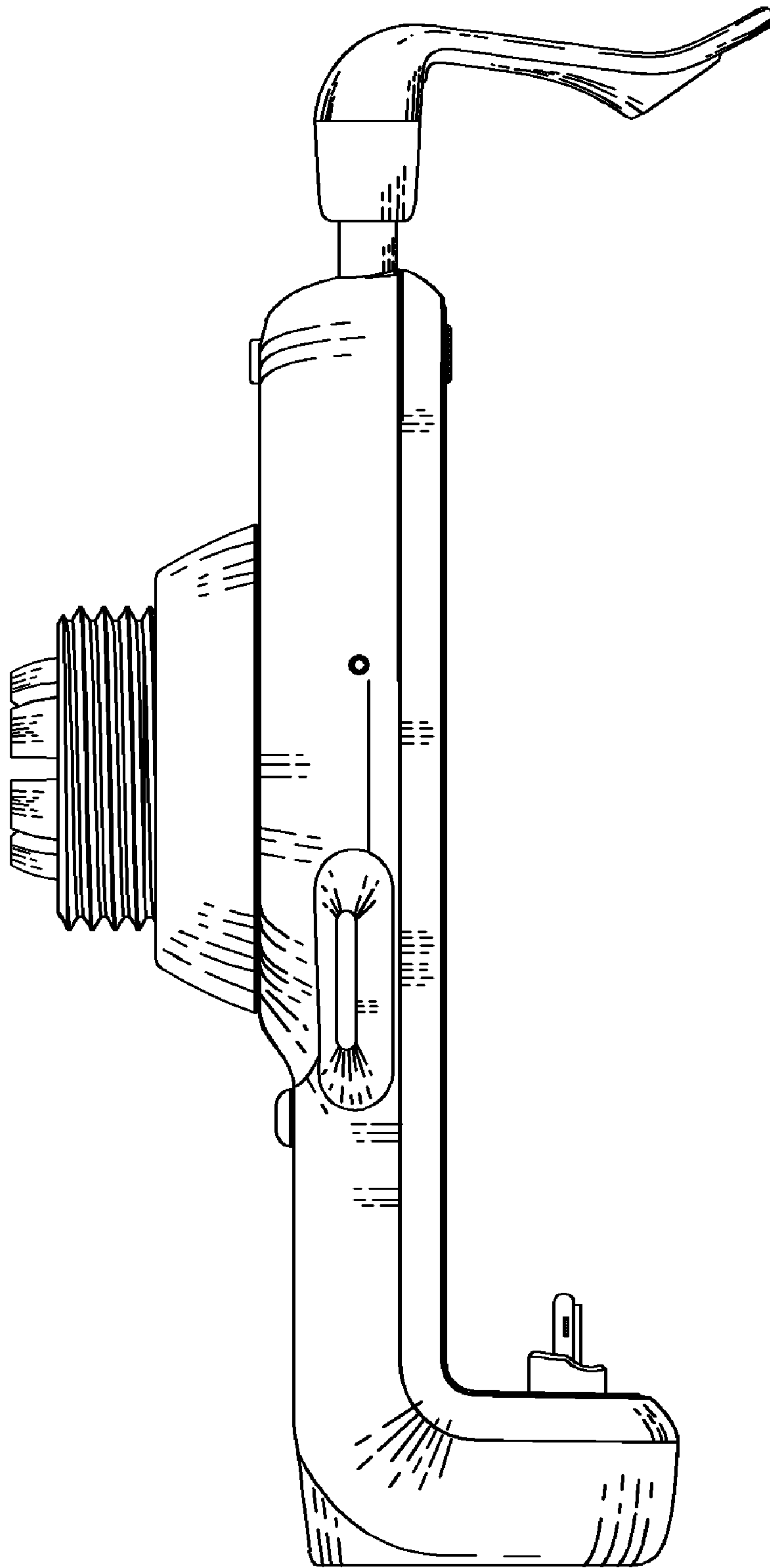


FIG. 6

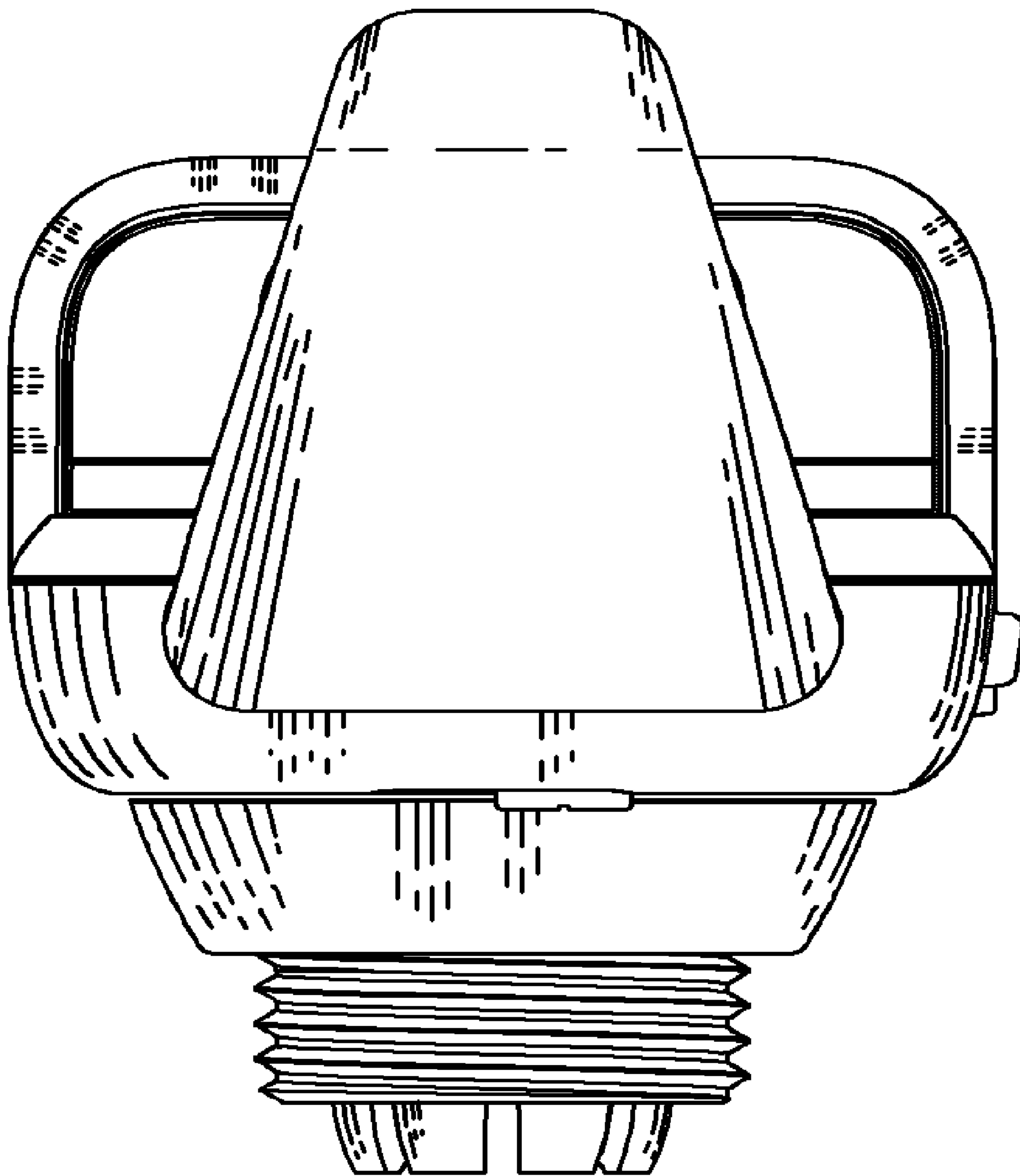


FIG. 7

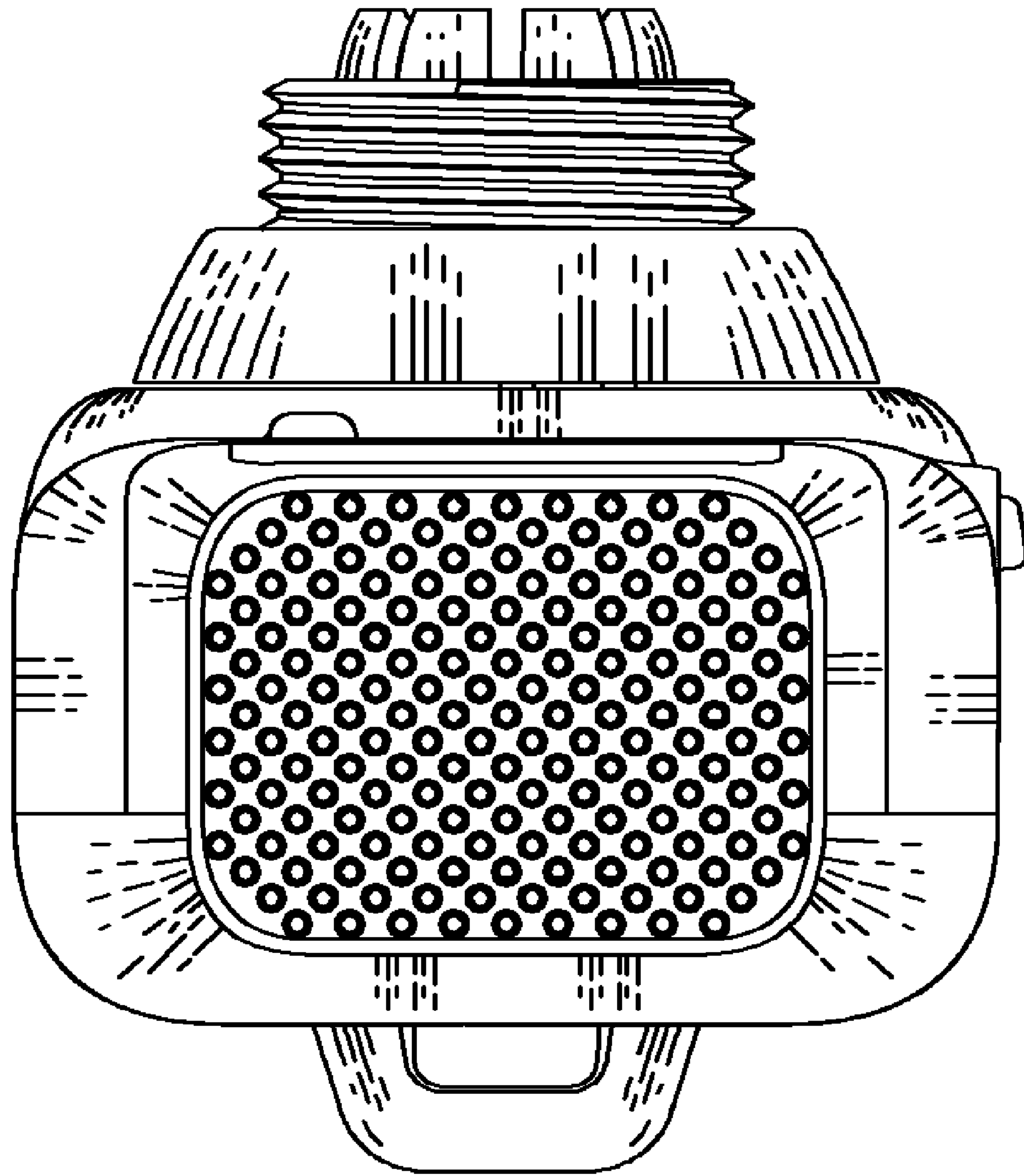


FIG. 8

UNITED STATES PATENT AND TRADEMARK OFFICE
CERTIFICATE OF CORRECTION

PATENT NO. : D645,033 S
APPLICATION NO. : 29/355403
DATED : September 13, 2011
INVENTOR(S) : Charles Quong et al.

Page 1 of 1

It is certified that error appears in the above-identified patent and that said Letters Patent is hereby corrected as shown below:

On the title page, item (75), Inventor: fourth inventor "Iing kui He" should read --Ling kui He--.

Signed and Sealed this
Eighth Day of November, 2011

A handwritten signature in black ink that reads "David J. Kappos". The signature is written in a cursive style with a large initial "D" and "K".

David J. Kappos
Director of the United States Patent and Trademark Office