



US00D645025S

(12) **United States Design Patent**  
**Poandl**

(10) **Patent No.:** **US D645,025 S**

(45) **Date of Patent:** **\*\* Sep. 13, 2011**

(54) **SPEAKER**

(75) **Inventor:** **Mary Beth Poandl**, Red Bank, NJ (US)

(73) **Assignee:** **SDI Technologies, Inc.**, Rahway, NJ  
(US)

(\*\*) **Term:** **14 Years**

(21) **Appl. No.:** **29/380,906**

(22) **Filed:** **Dec. 13, 2010**

(51) **LOC (9) Cl.** ..... **14-01**

(52) **U.S. Cl.** ..... **D14/214**

(58) **Field of Classification Search** ..... D14/204,  
D14/209.1, 210–216, 167–168, 172, 188,  
D14/496–499; 181/143–144, 147–148, 150–153,  
181/157, 198–199; 381/300–303, 306, 332–333,  
381/336, 345, 361–364, 386–388

See application file for complete search history.

(56) **References Cited**

U.S. PATENT DOCUMENTS

D476,640 S *	7/2003	Harris et al.	.....	D14/211
D521,476 S *	5/2006	Hisatsune	.....	D14/499
D551,204 S *	9/2007	Lewis	.....	D14/168
D611,451 S *	3/2010	Wang et al.	.....	D14/209.1

\* cited by examiner

*Primary Examiner* — Nanda Bondade

(74) *Attorney, Agent, or Firm* — Ostrolenk Faber LLP

(57) **CLAIM**

The ornamental design for a speaker, as shown and described.

**DESCRIPTION**

FIG. 1 is a front, side perspective view of a speaker showing my new design;

FIG. 2 is a front view thereof;

FIG. 3 is a rear view thereof;

FIG. 4 is a top view thereof;

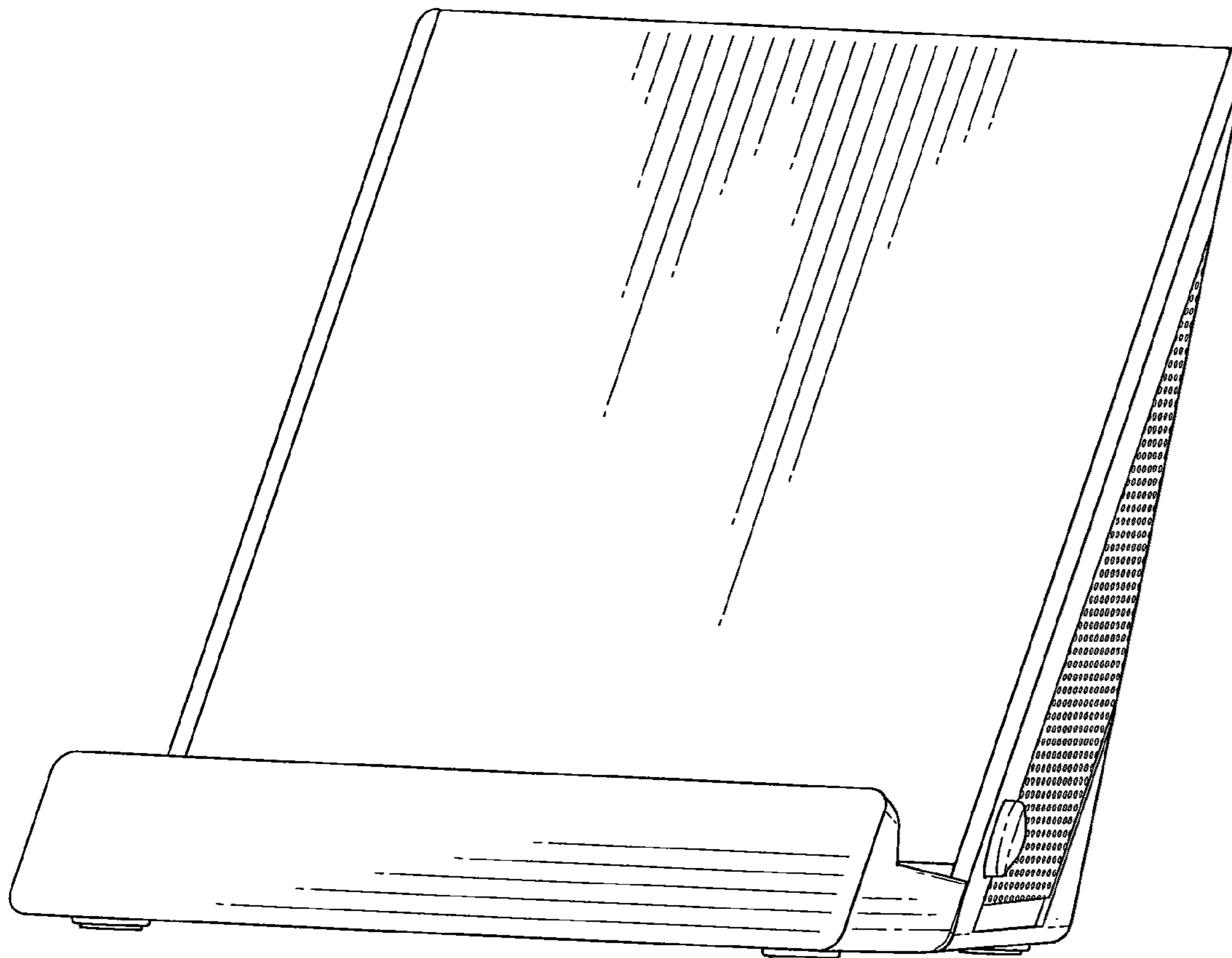
FIG. 5 is a bottom view thereof;

FIG. 6 is a left side view thereof; and,

FIG. 7 is a right side view thereof.

The broken lines in the drawings illustrate environmental material that forms no part of the claimed design.

**1 Claim, 7 Drawing Sheets**



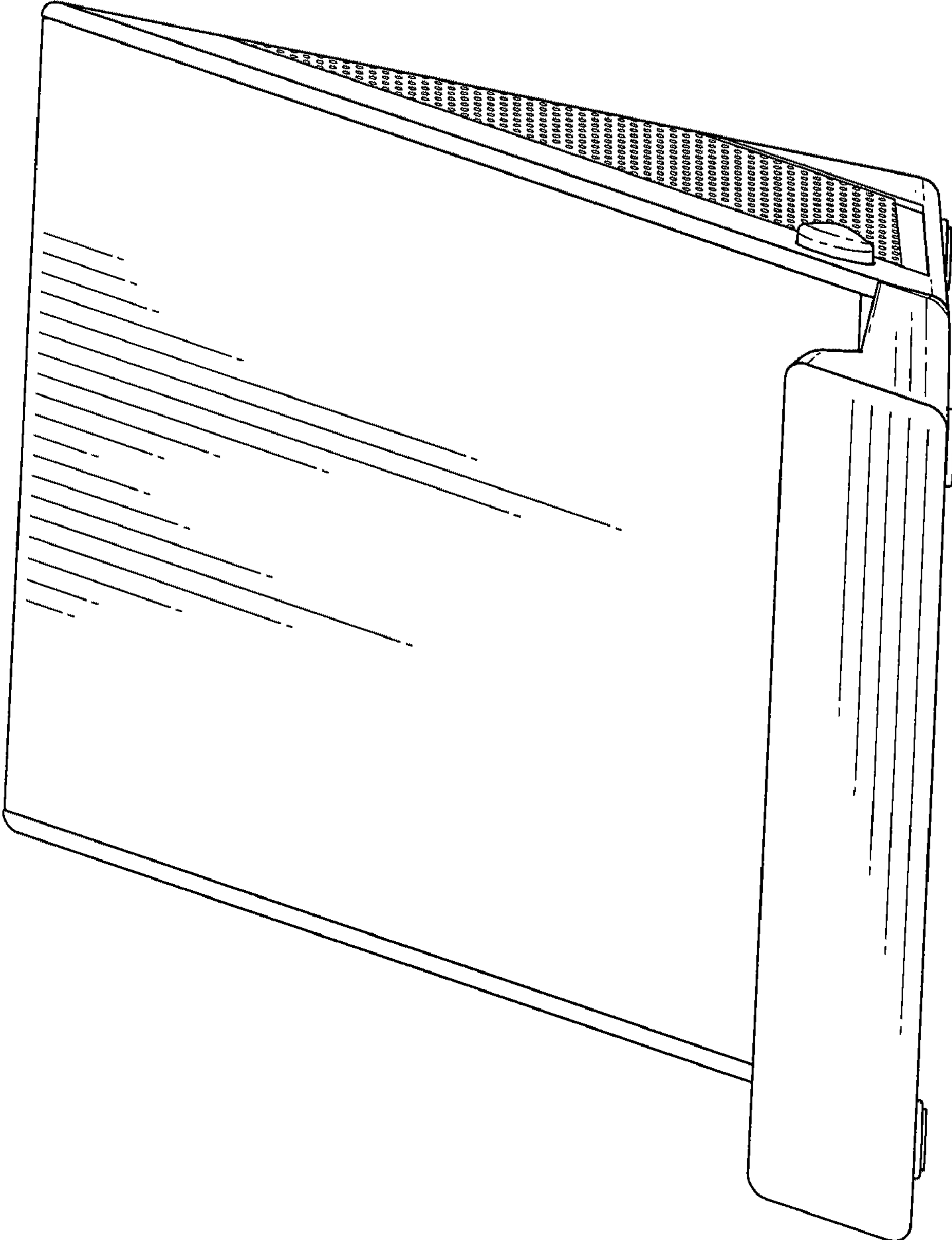


FIG.1

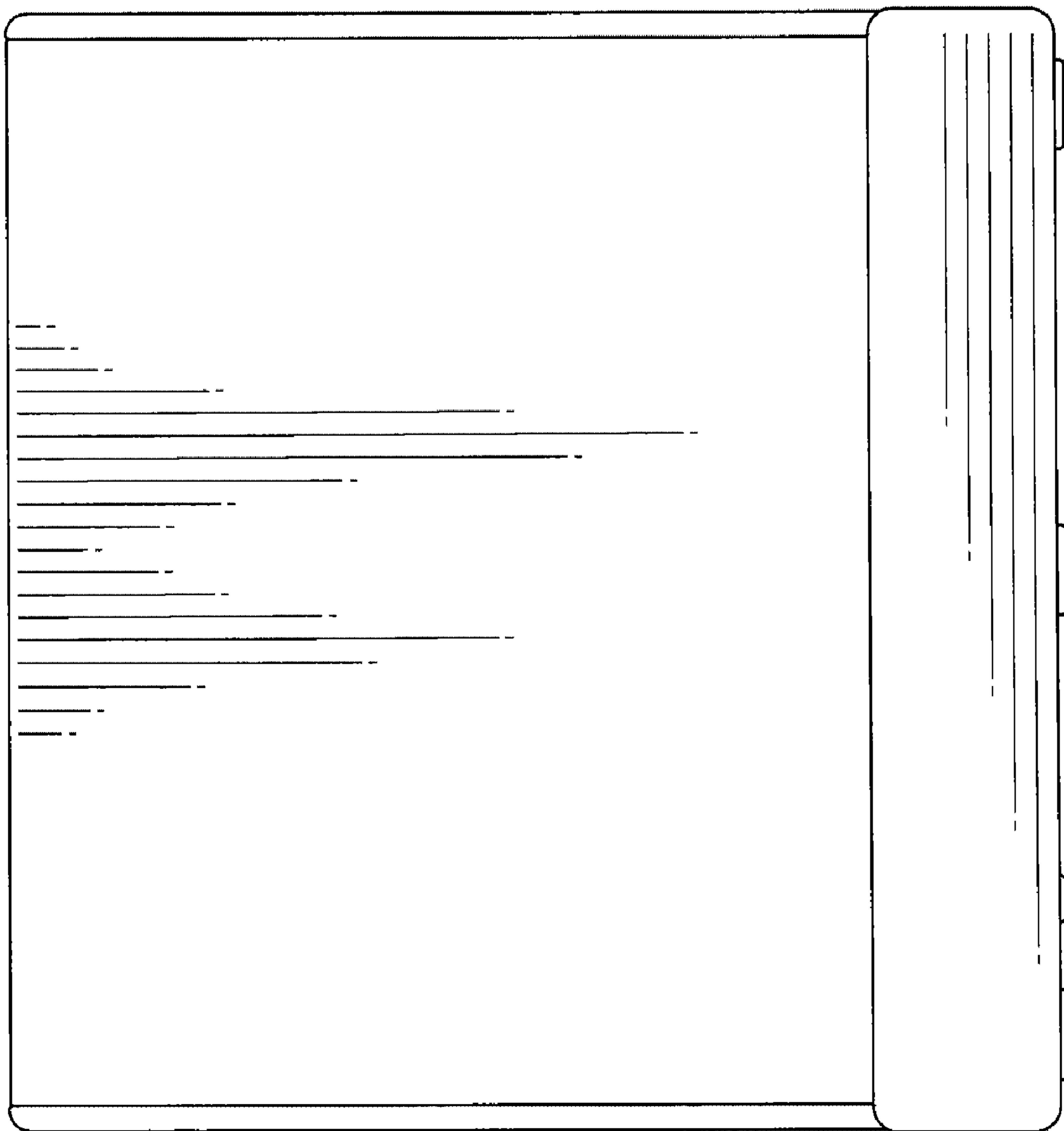


FIG. 2

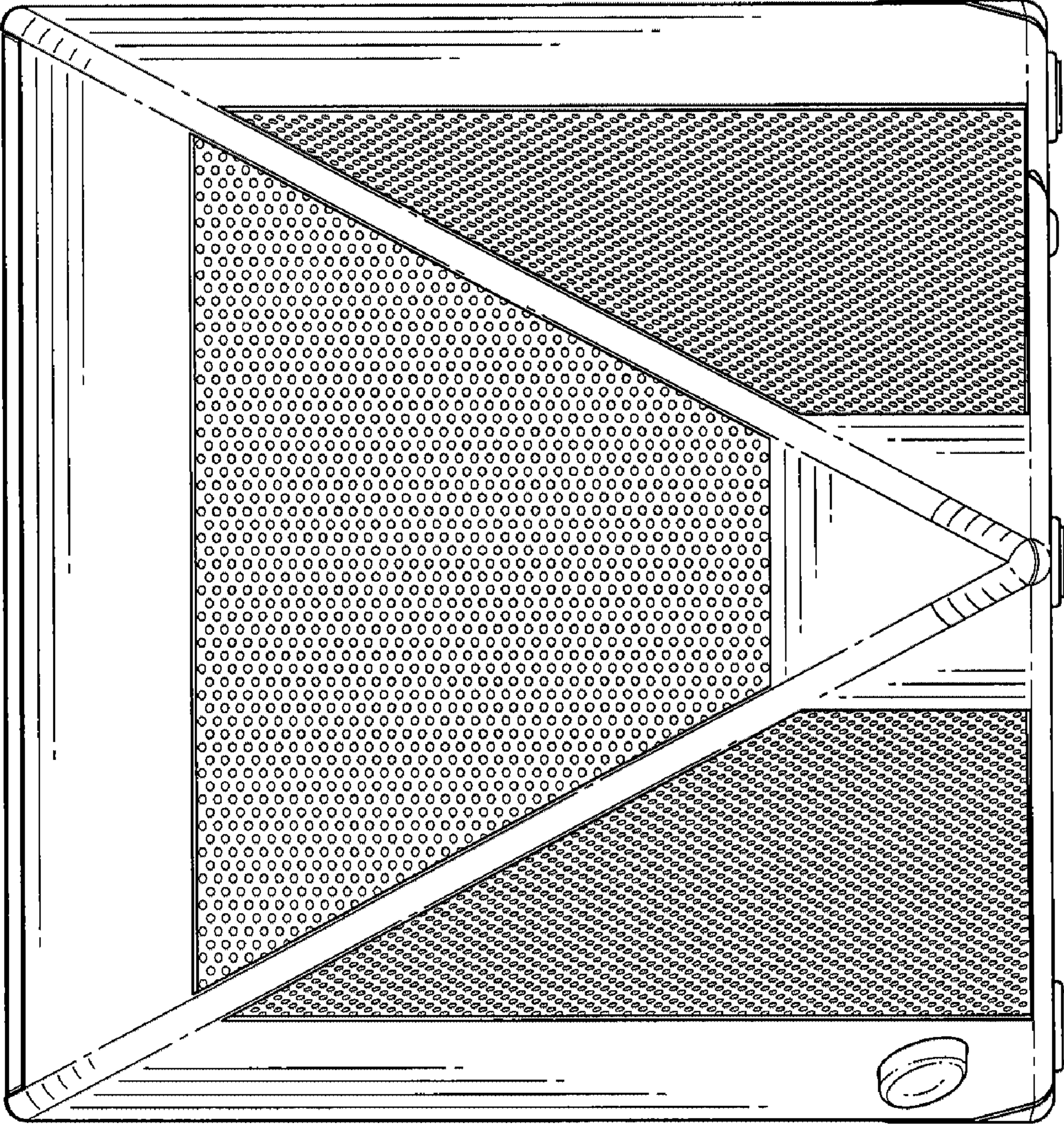


FIG. 3

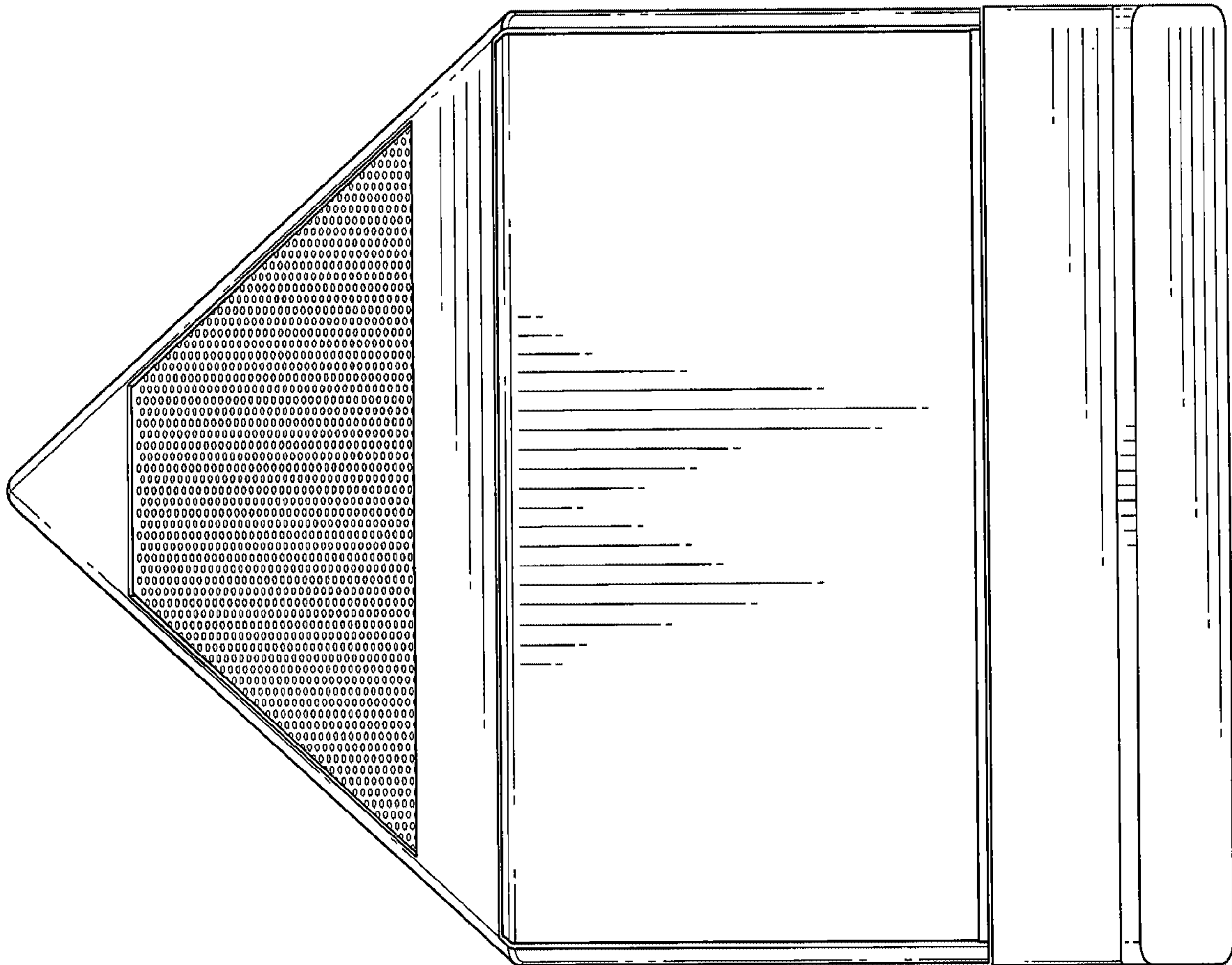


FIG. 4

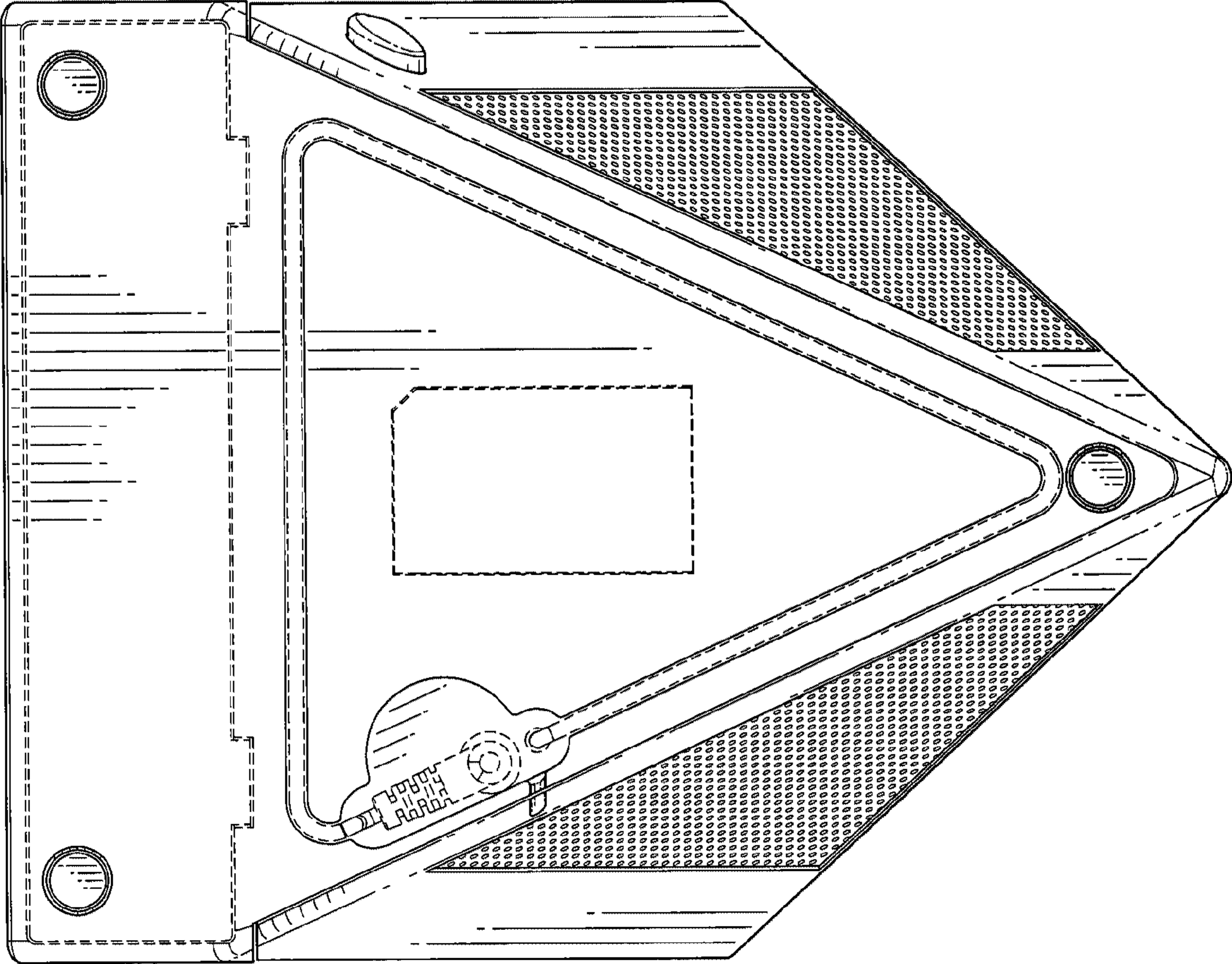


FIG. 5

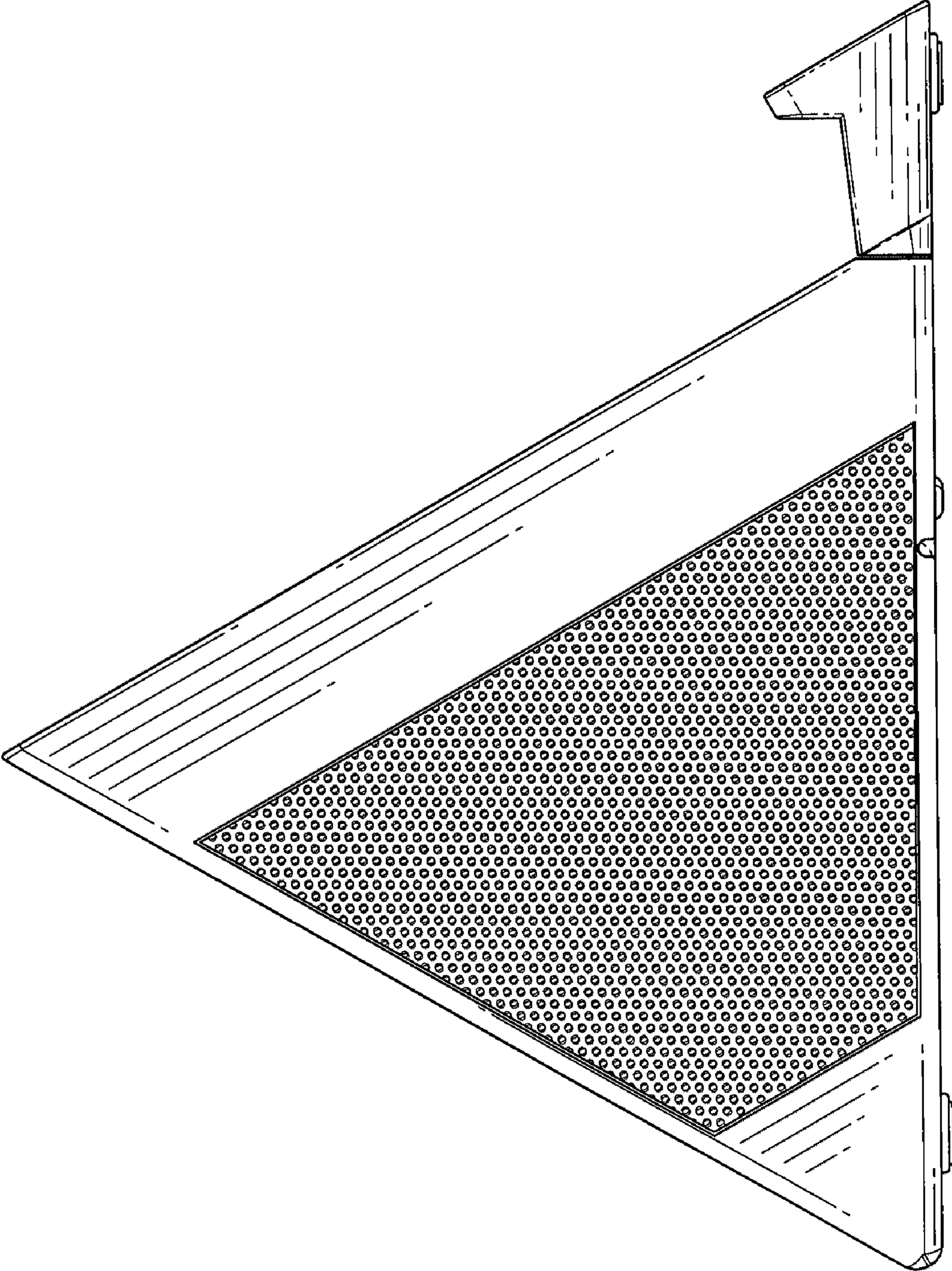


FIG. 6

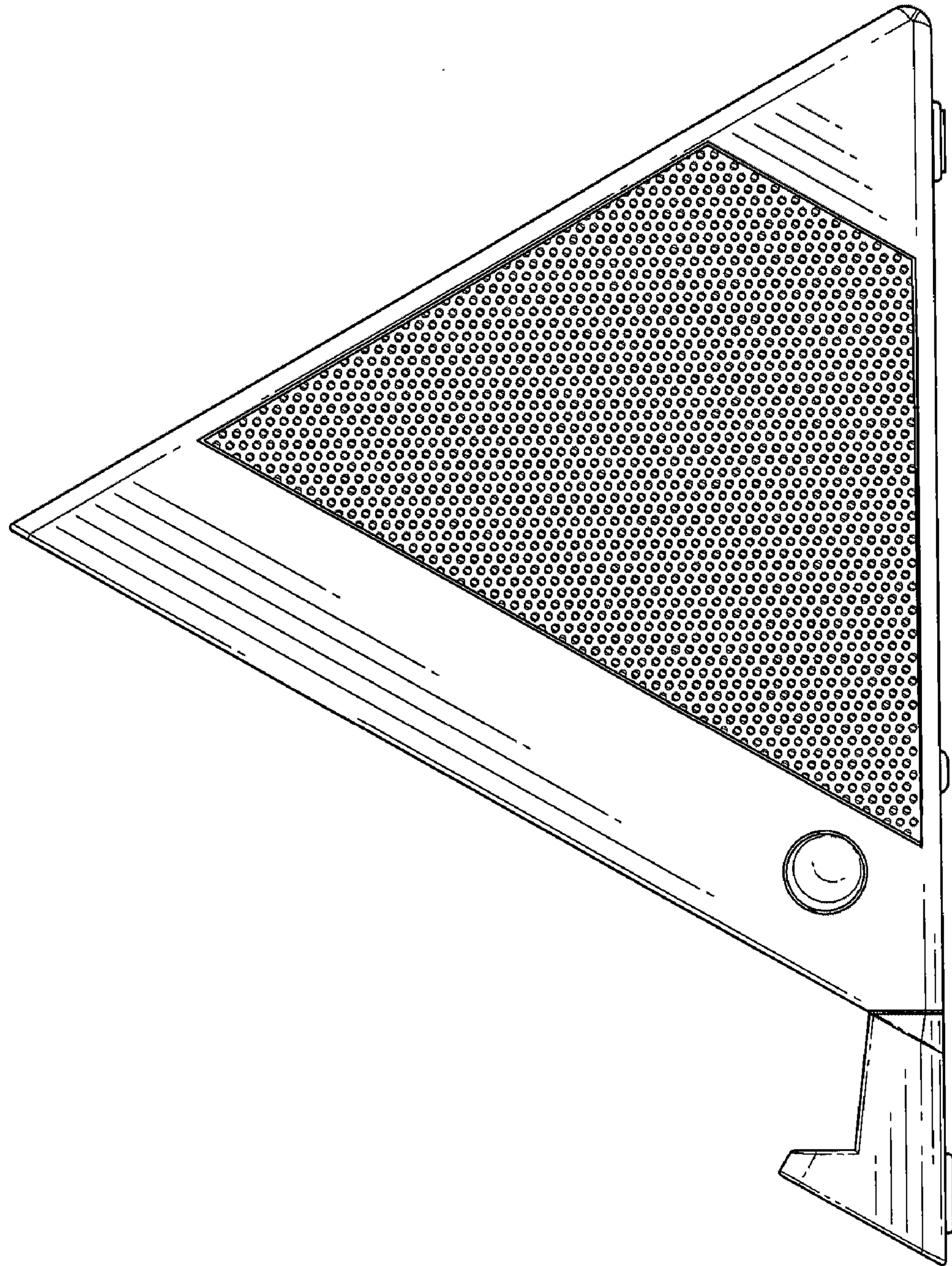


FIG. 7