



US00D645023S

(12) **United States Design Patent**
Brandis

(10) **Patent No.:** **US D645,023 S**

(45) **Date of Patent:** **** Sep. 13, 2011**

(54) **HEADSET BINEURAL**

(75) **Inventor:** **Michael Brandis**, Nuremberg (DE)

(73) **Assignee:** **Sennheiser Communications A/S**,
Solrod Strand (DK)

(**) **Term:** **14 Years**

(21) **Appl. No.:** **29/368,920**

(22) **Filed:** **Aug. 31, 2010**

(30) **Foreign Application Priority Data**

Mar. 3, 2010 (EP) 001677014-0002

(51) **LOC (9) Cl.** **14-01**

(52) **U.S. Cl.** **D14/206**

(58) **Field of Classification Search** D14/205,
D14/206, 223; D29/112; 2/209; 181/129,
181/130, 135; 379/430, 431, 433.03; 381/370,
381/371, 374, 375, 379, 380, 381; 455/90.3,
455/575.1

See application file for complete search history.

(56) **References Cited**

U.S. PATENT DOCUMENTS

| | | | | | | |
|-----------|---|---|---------|-------------------|-------|---------|
| D286,874 | S | * | 11/1986 | Bertagna et al. | | D14/205 |
| 4,689,822 | A | * | 8/1987 | Houng | | 381/379 |
| D316,861 | S | * | 5/1991 | Yoda et al. | | D14/205 |
| 5,018,599 | A | * | 5/1991 | Dohi et al. | | 181/129 |
| 5,033,094 | A | * | 7/1991 | Hung | | 381/379 |
| D323,167 | S | * | 1/1992 | Yamazaki et al. | | D14/205 |
| D346,802 | S | * | 5/1994 | Sacherman et al. | | D14/206 |
| 5,640,458 | A | * | 6/1997 | Nishiguchi et al. | | 381/74 |
| D381,336 | S | * | 7/1997 | Bungardt et al. | | D14/205 |
| 5,793,878 | A | * | 8/1998 | Chang | | 381/370 |

| | | | | | | |
|-----------|----|---|---------|----------------|-------|---------|
| D468,722 | S | * | 1/2003 | Schmidt et al. | | D14/205 |
| 6,560,346 | B2 | * | 5/2003 | Ohta et al. | | 381/382 |
| D484,485 | S | * | 12/2003 | Matsuoka | | D14/205 |
| D494,154 | S | * | 8/2004 | Polito | | D14/206 |
| D530,307 | S | * | 10/2006 | Rath | | D14/206 |
| D535,285 | S | * | 1/2007 | Skulley | | D14/205 |
| D539,267 | S | * | 3/2007 | Komiyama | | D14/205 |
| D540,303 | S | * | 4/2007 | Rausch et al. | | D14/205 |
| D541,256 | S | * | 4/2007 | Rausch et al. | | D14/205 |
| D542,774 | S | * | 5/2007 | Rausch et al. | | D14/206 |
| D573,581 | S | * | 7/2008 | Gondo et al. | | D14/205 |
| D593,995 | S | * | 6/2009 | Shimizu | | D14/205 |
| D594,847 | S | * | 6/2009 | Suzuki | | D14/205 |
| D602,001 | S | * | 10/2009 | Bentley | | D14/206 |
| D625,705 | S | * | 10/2010 | Ohuri et al. | | D14/205 |
| D632,668 | S | * | 2/2011 | Brunner et al. | | D14/205 |
| D634,732 | S | * | 3/2011 | Kondo et al. | | D14/205 |
| D635,958 | S | * | 4/2011 | Ando et al. | | D14/205 |

* cited by examiner

Primary Examiner — Paula Greene

(74) *Attorney, Agent, or Firm* — Birch, Stewart, Kolasch & Birch, LLP

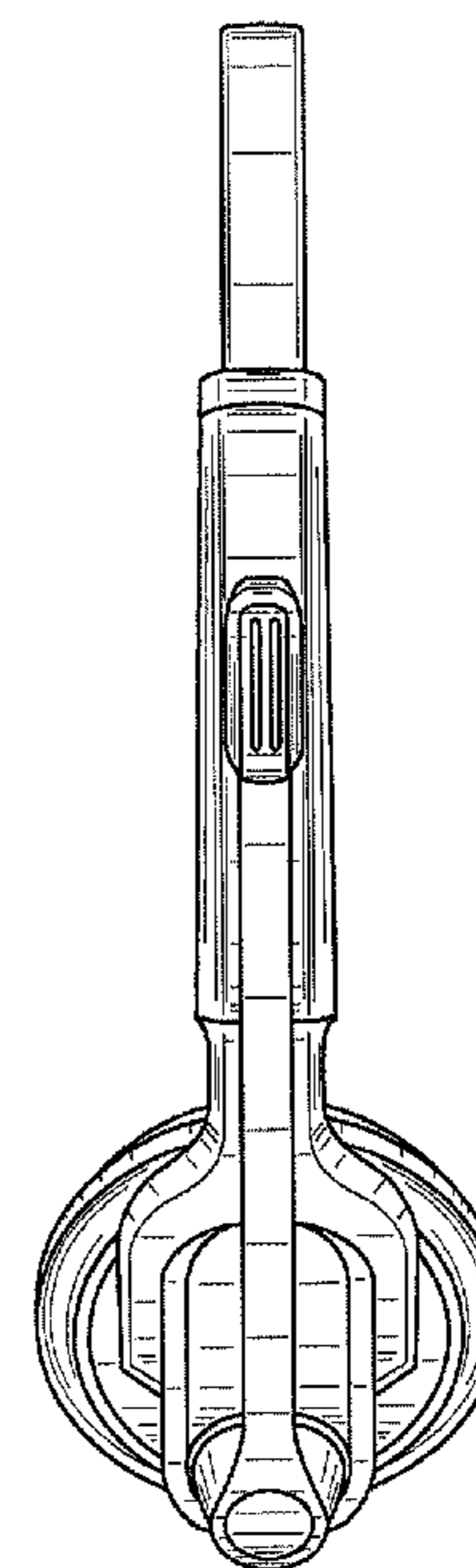
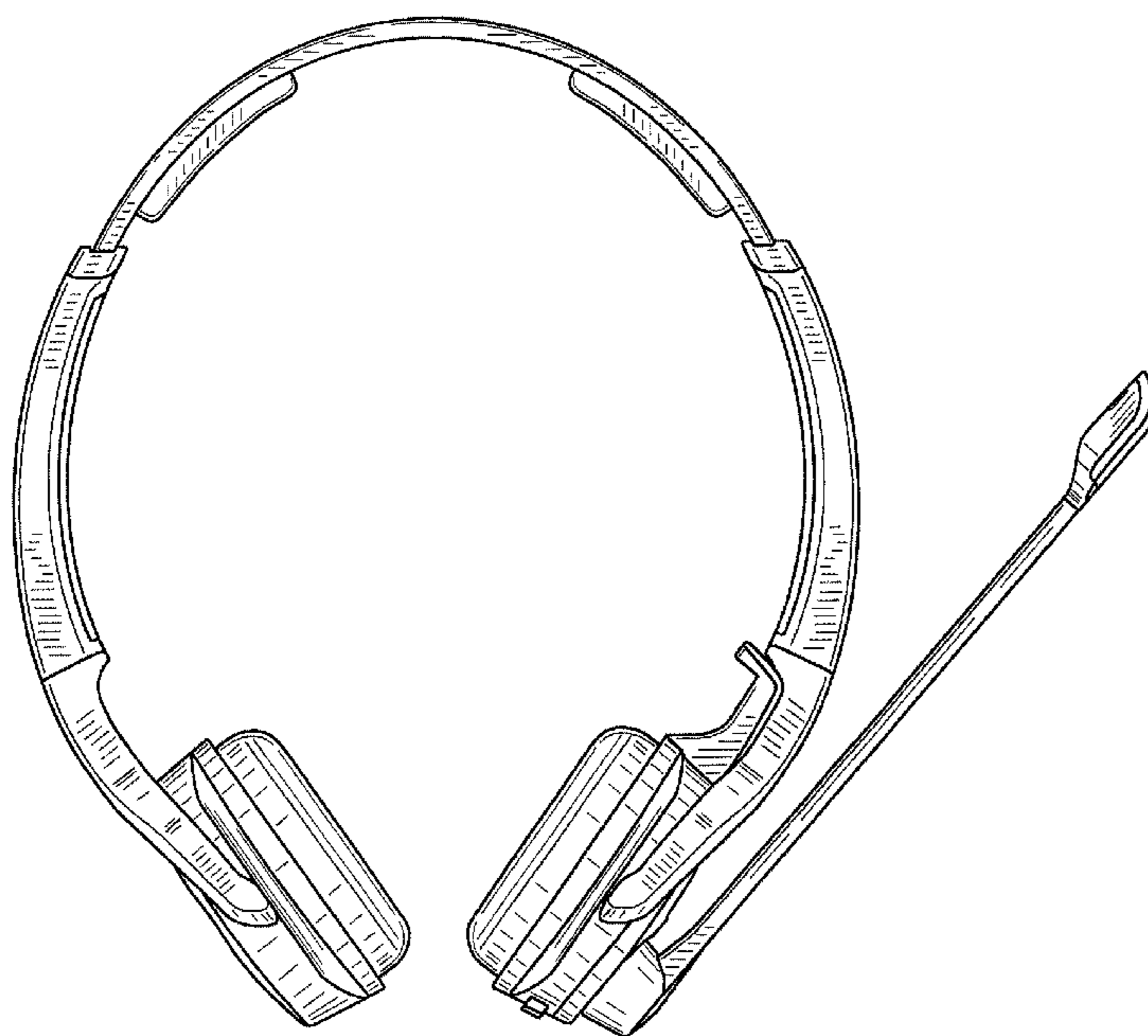
(57) **CLAIM**

The ornamental design for a headset bineural, as substantially shown and described.

DESCRIPTION

FIG. 1 is a front perspective view of the headset bineural; FIG. 2 is a front view of the headset bineural; FIG. 3 is a right side view of the headset bineural; FIG. 4 is a rear view of the headset bineural; FIG. 5 is a top view of the headset bineural; FIG. 6 is a left side view of the headset bineural; and, FIG. 7 is a bottom view of the headset bineural.

1 Claim, 7 Drawing Sheets



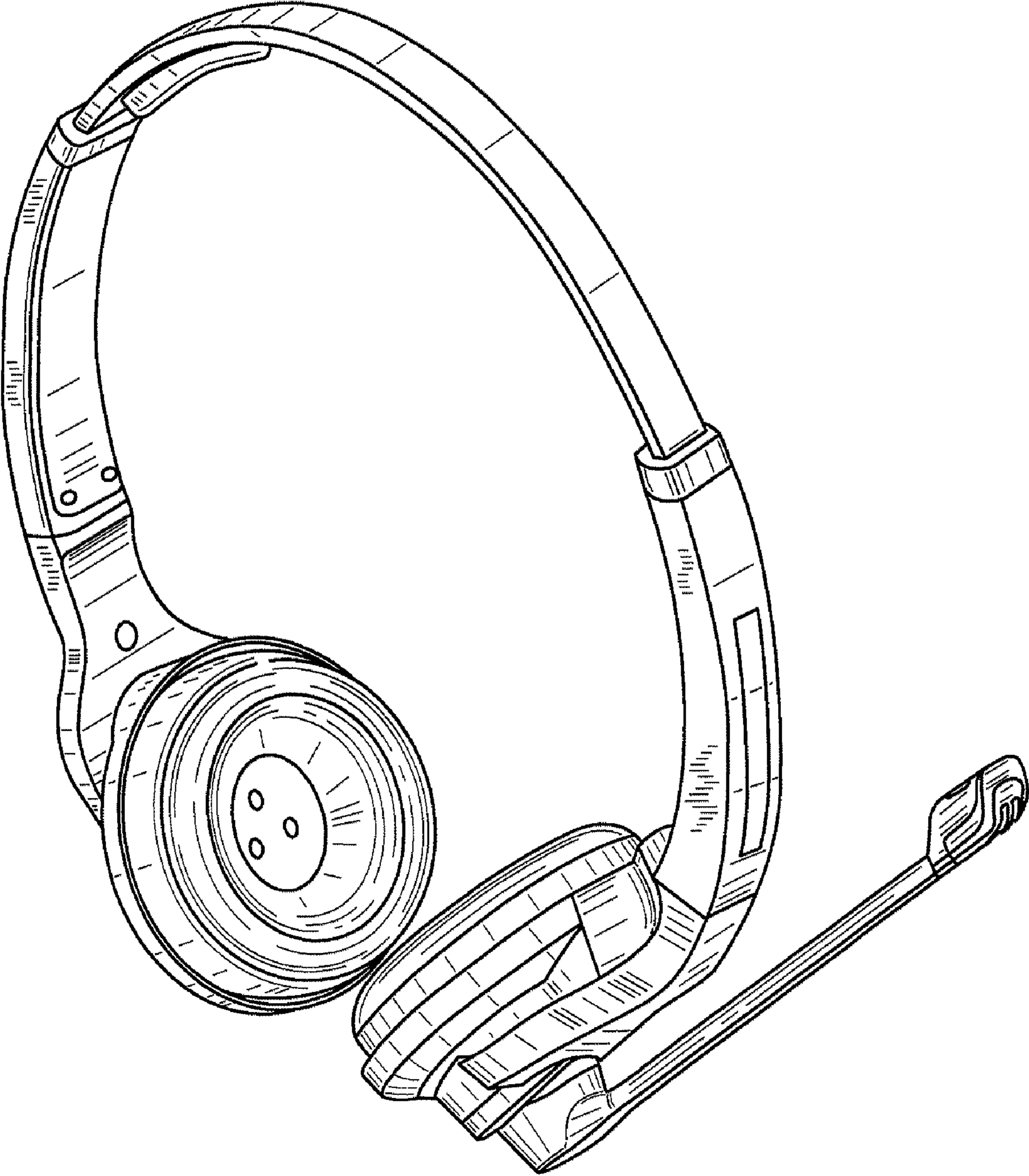


FIG. 1

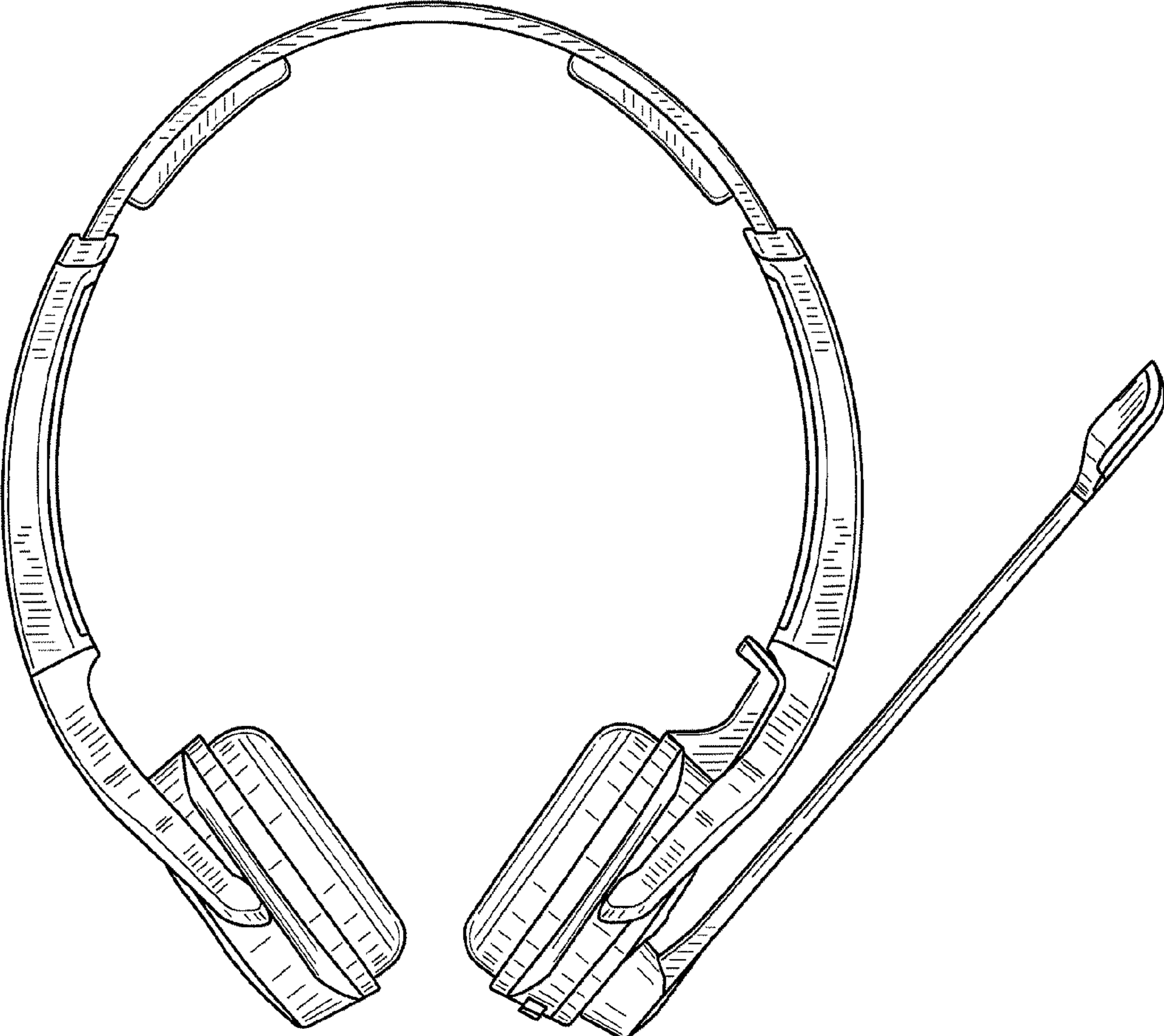


FIG. 2

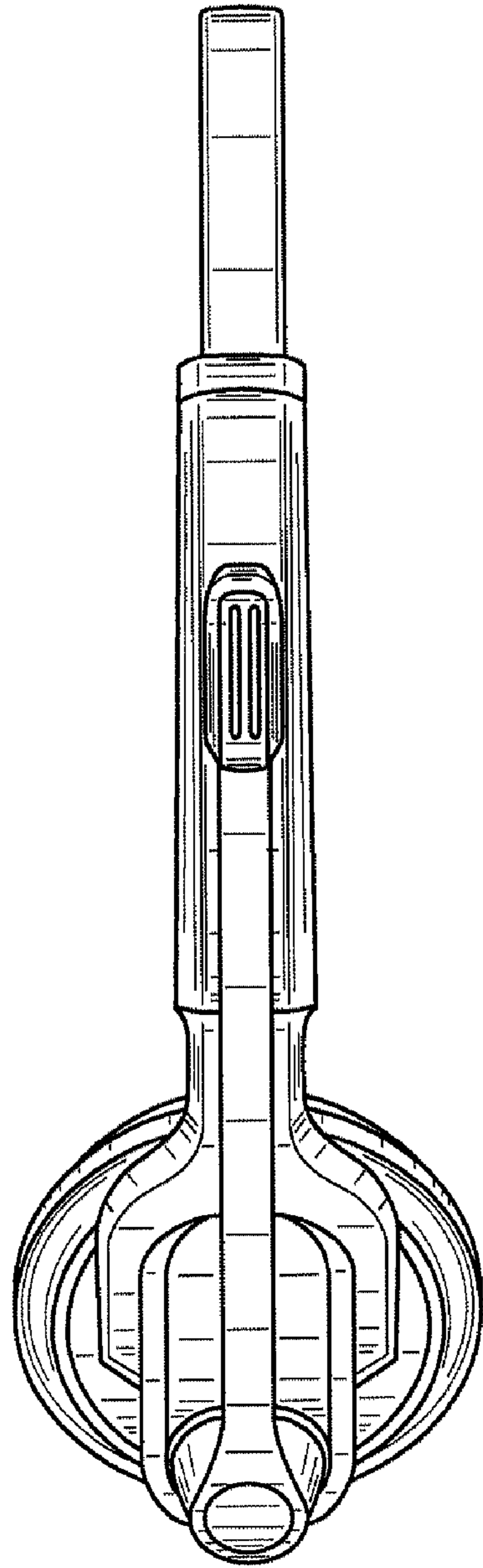


FIG. 3

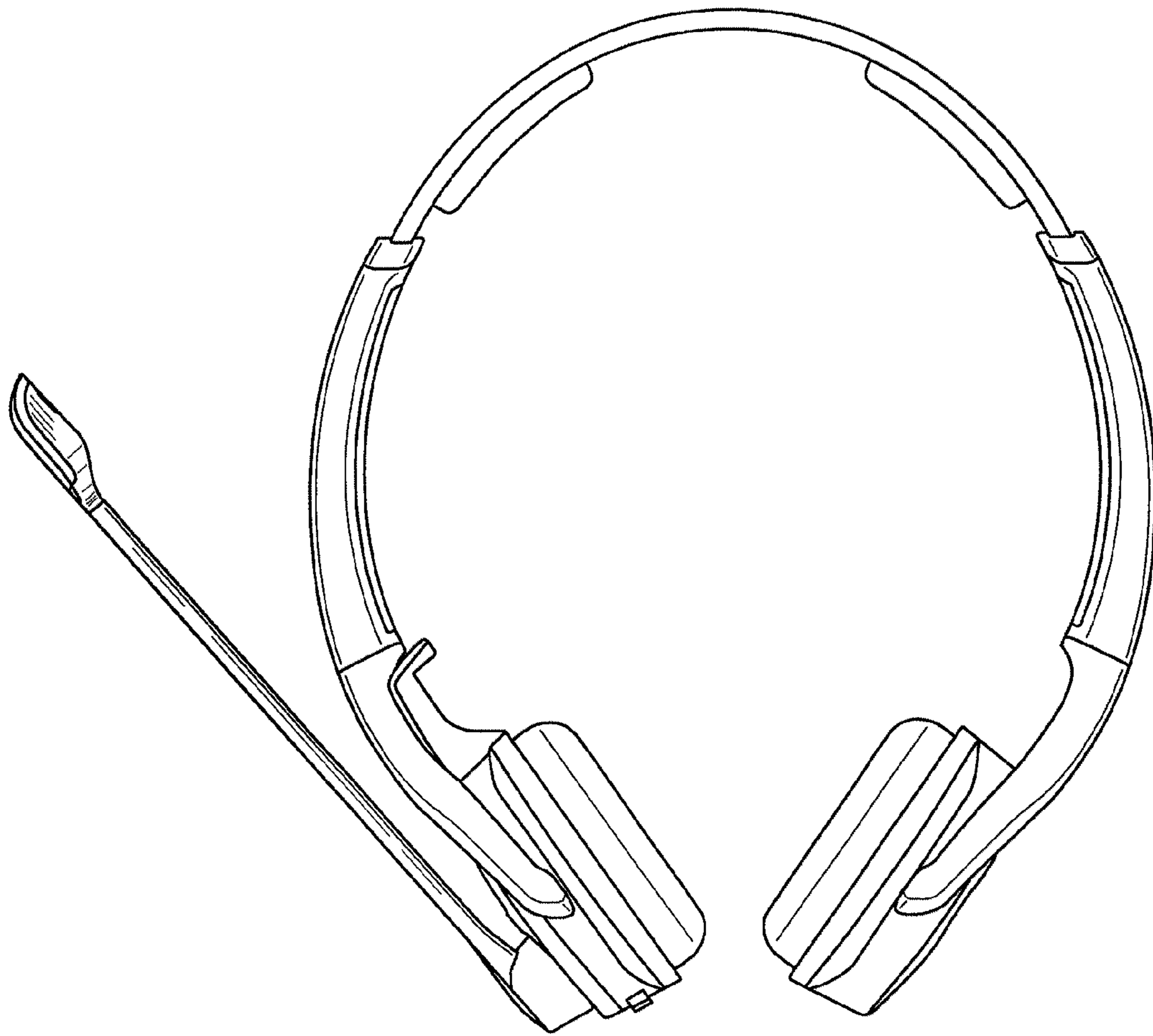


FIG. 4

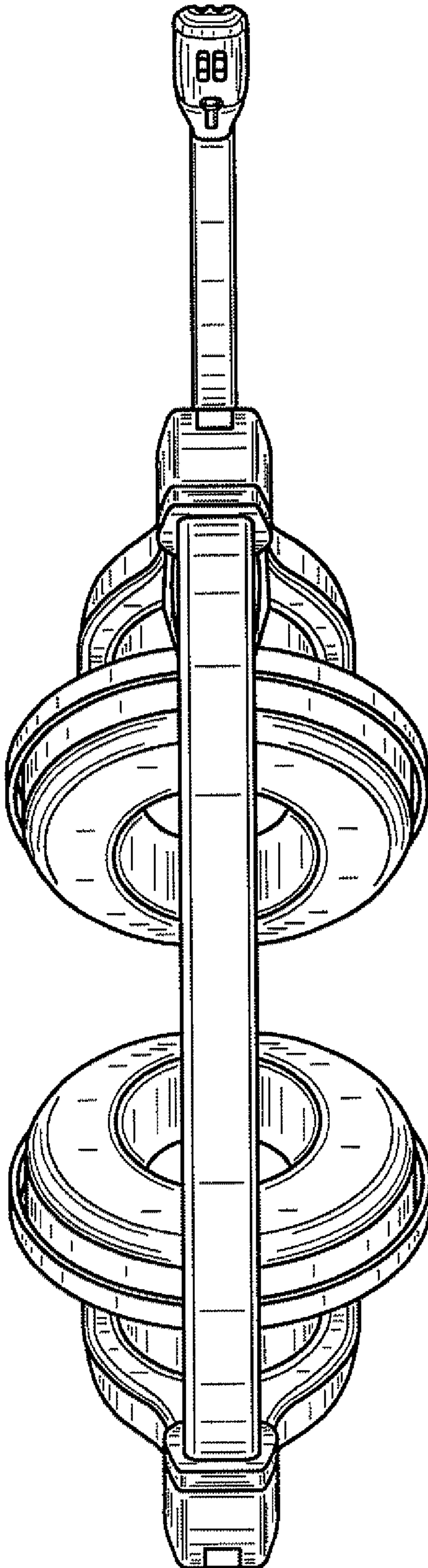


FIG. 5

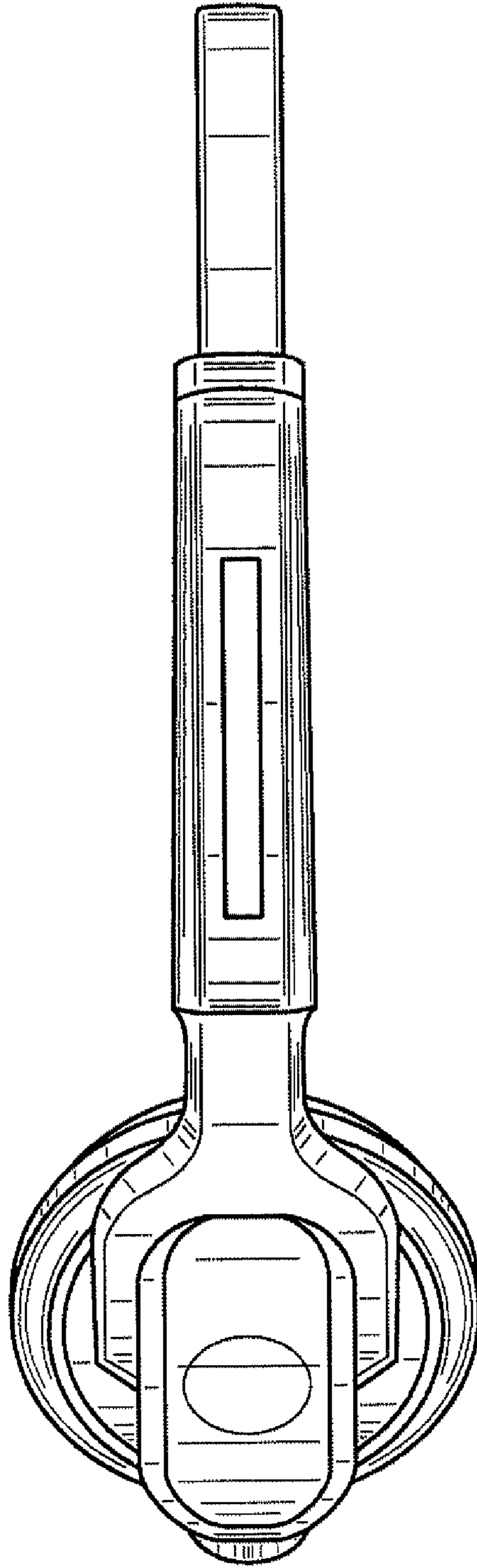


FIG. 6

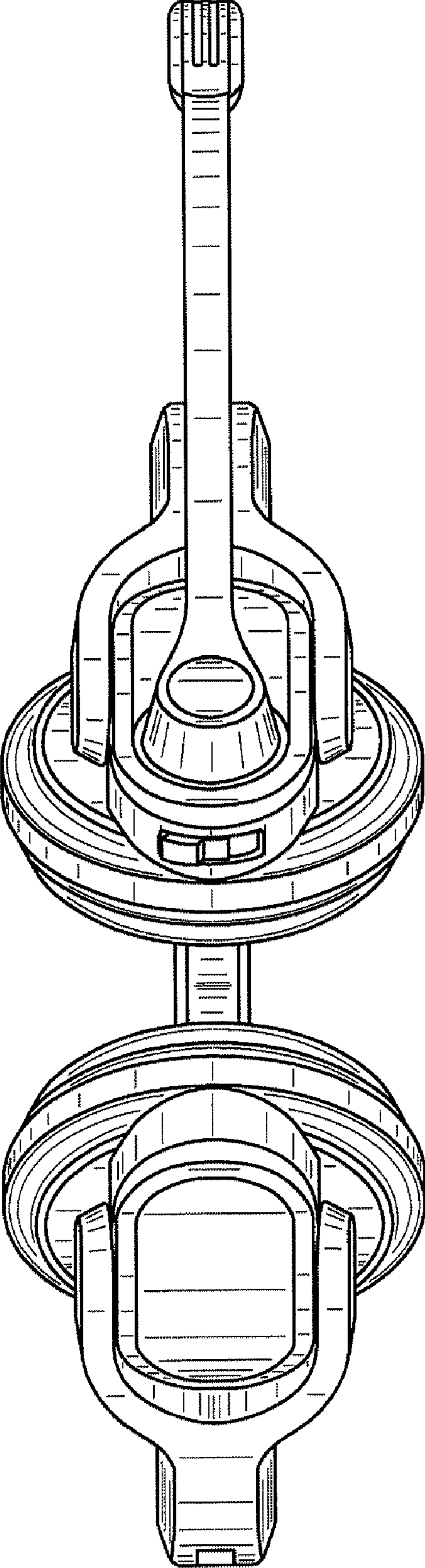


FIG. 7