



US00D645019S

(12) **United States Design Patent**
Kim et al.

(10) **Patent No.:** **US D645,019 S**
(45) **Date of Patent:** **** Sep. 13, 2011**

(54) **MOBILE PHONE**

(75) Inventors: **Bo-Ra Kim**, Seoul (KR); **Yun-Jung Lee**, Hwaseong-si (KR); **Chang-Hwan Hwang**, Seongnam-si (KR)

(73) Assignee: **Samsung Electronics Co., Ltd.**, Suwon-Si (KR)

(**) Term: **14 Years**

(21) Appl. No.: **29/381,720**

(22) Filed: **Dec. 22, 2010**

(30) **Foreign Application Priority Data**

Oct. 15, 2010 (KR) 30-2010-0044806

(51) **LOC (9) Cl.** **14-03**

(52) **U.S. Cl.** **D14/138 AB**

(58) **Field of Classification Search** D14/138 AB,
D14/138 AA, 496, 341, 345, 346, 203.3,
D14/203.4, 203.7, 138 AD, 138 R, 147, 218,
D14/137; 455/575.1, 556.2, 575.3, 575.4;
D21/517; 379/433.01, 433.04, 433.11, 433.12,
379/433.13; D13/168

See application file for complete search history.

(56) **References Cited**

U.S. PATENT DOCUMENTS

D568,863	S	*	5/2008	Lee et al.	D14/138 AB
D571,771	S	*	6/2008	Kim et al.	D14/138 AB
D574,352	S	*	8/2008	Cha et al.	D14/138 AB
D576,600	S	*	9/2008	Kim et al.	D14/138 AB
D578,498	S	*	10/2008	Choi et al.	D14/138 AB
D582,371	S	*	12/2008	Choi et al.	D14/138 AB
D582,879	S	*	12/2008	Chung et al.	D14/138 AB
D582,881	S	*	12/2008	Son et al.	D14/138 AB
D583,351	S	*	12/2008	Tkachuk	D14/138 AB
D588,572	S	*	3/2009	Park et al.	D14/138 AB

7,512,428	B2	*	3/2009	An et al.	455/575.3
D593,529	S	*	6/2009	Choi et al.	D14/138 AB
D601,996	S	*	10/2009	Jeoung et al.	D14/138 AB
D601,997	S	*	10/2009	Kim et al.	D14/138 AB
D603,825	S	*	11/2009	Jeoung et al.	D14/138 AB
D605,159	S	*	12/2009	Kim et al.	D14/138 AB
D613,711	S	*	4/2010	Ryu	D14/138 AB
D615,065	S	*	5/2010	Kim et al.	D14/138 AB
D615,518	S	*	5/2010	Ryu	D14/138 AB
D630,177	S	*	1/2011	Park et al.	D14/138 AB
D630,603	S	*	1/2011	Lee et al.	D14/138 AB
D635,112	S	*	3/2011	Zhang et al.	D14/138 AB

(Continued)

OTHER PUBLICATIONS

Samsung E790 telephone, announced Jan. 2007, [online], [site visited Mar. 25, 2011]. Available from Internet, <URL: <http://www.gsmarena.com>>.*

(Continued)

Primary Examiner — Jeffrey D Asch

(74) *Attorney, Agent, or Firm* — Staas & Halsey LLP

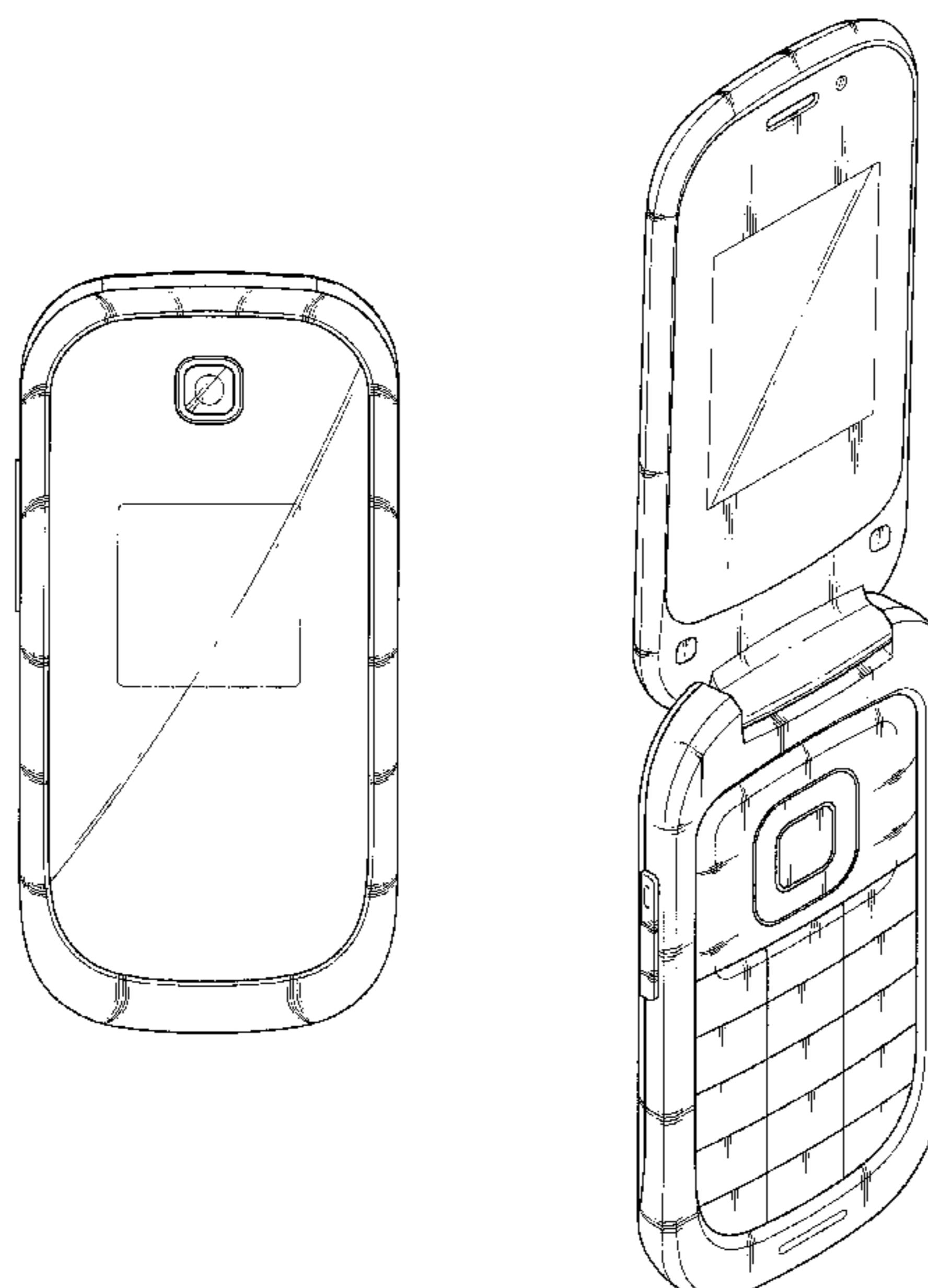
(57) **CLAIM**

The ornamental design for a mobile phone, as shown and described.

DESCRIPTION

FIG. 1 is a front perspective view of a mobile phone; FIG. 2 is a front view of the mobile phone of FIG. 1; FIG. 3 is a rear view of the mobile phone of FIG. 1; FIG. 4 is a left-side view of the mobile phone of FIG. 1; FIG. 5 is a right-side view of the mobile phone of FIG. 1; FIG. 6 is a top plan view of the mobile phone of FIG. 1; FIG. 7 is a bottom plan view of the mobile phone of FIG. 1; and, FIG. 8 is an open front perspective view of the mobile phone of FIG. 1.

1 Claim, 8 Drawing Sheets



U.S. PATENT DOCUMENTS

D635,114 S * 3/2011 Asabu et al. D14/138 AB
D635,542 S * 4/2011 Park et al. D14/138 AB
2007/0178949 A1* 8/2007 Sato et al. 455/575.3
2009/0163258 A1* 6/2009 Vesamaki 455/575.4

OTHER PUBLICATIONS

Samsung A237 telephone, announced Sep. 2008, [online], [site visited Mar. 25, 2011]. Available from Internet, <URL: <http://www.gsmarena.com>>.*

Motorola WX265 telephone, announced Apr. 2010, [online], [site visited Mar. 25, 2011]. Available from Internet, <URL: <http://www.gsmarena.com>>.*

Alcatel OT-361 telephone, announced Feb. 2011, [online], [site visited Mar. 25, 2011]. Available from Internet, <URL: <http://www.gsmarena.com>>.*

Motorola PEBL VU20 telephone, announced Jul. 2008, [online], [site visited Mar. 25, 2011]. Available from Internet, <URL: <http://www.gsmarena.com>>.*

* cited by examiner

FIG. 1

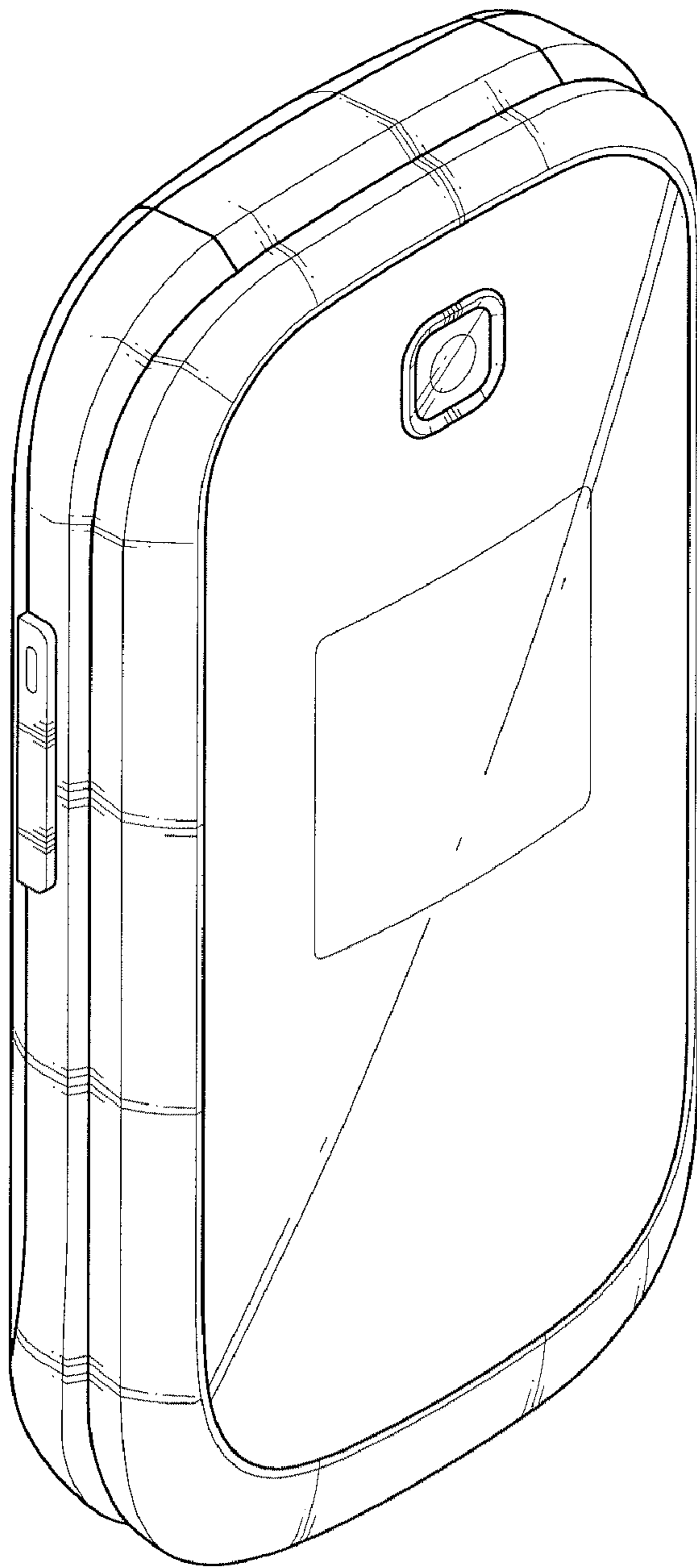


FIG.2

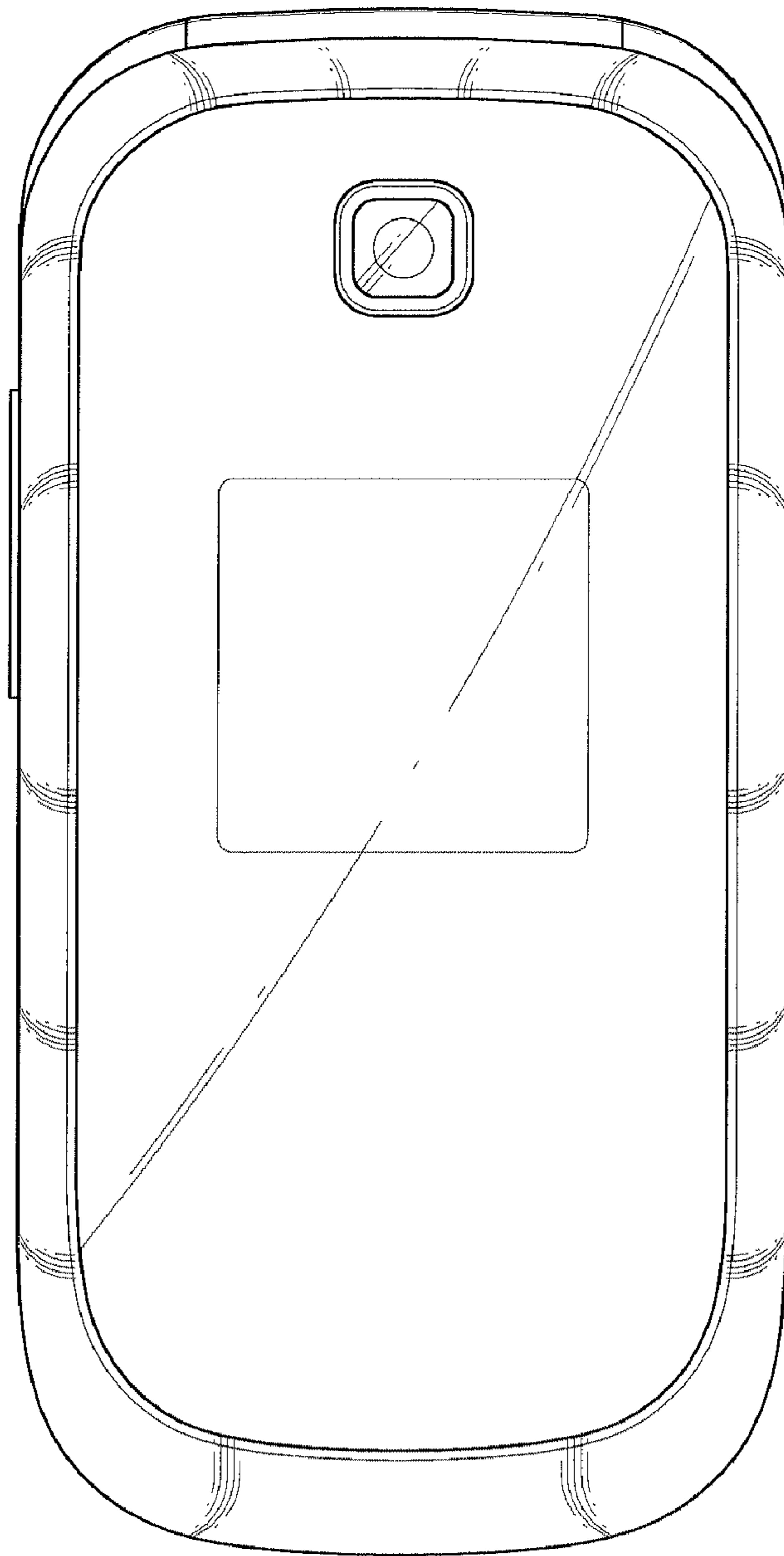


FIG.3

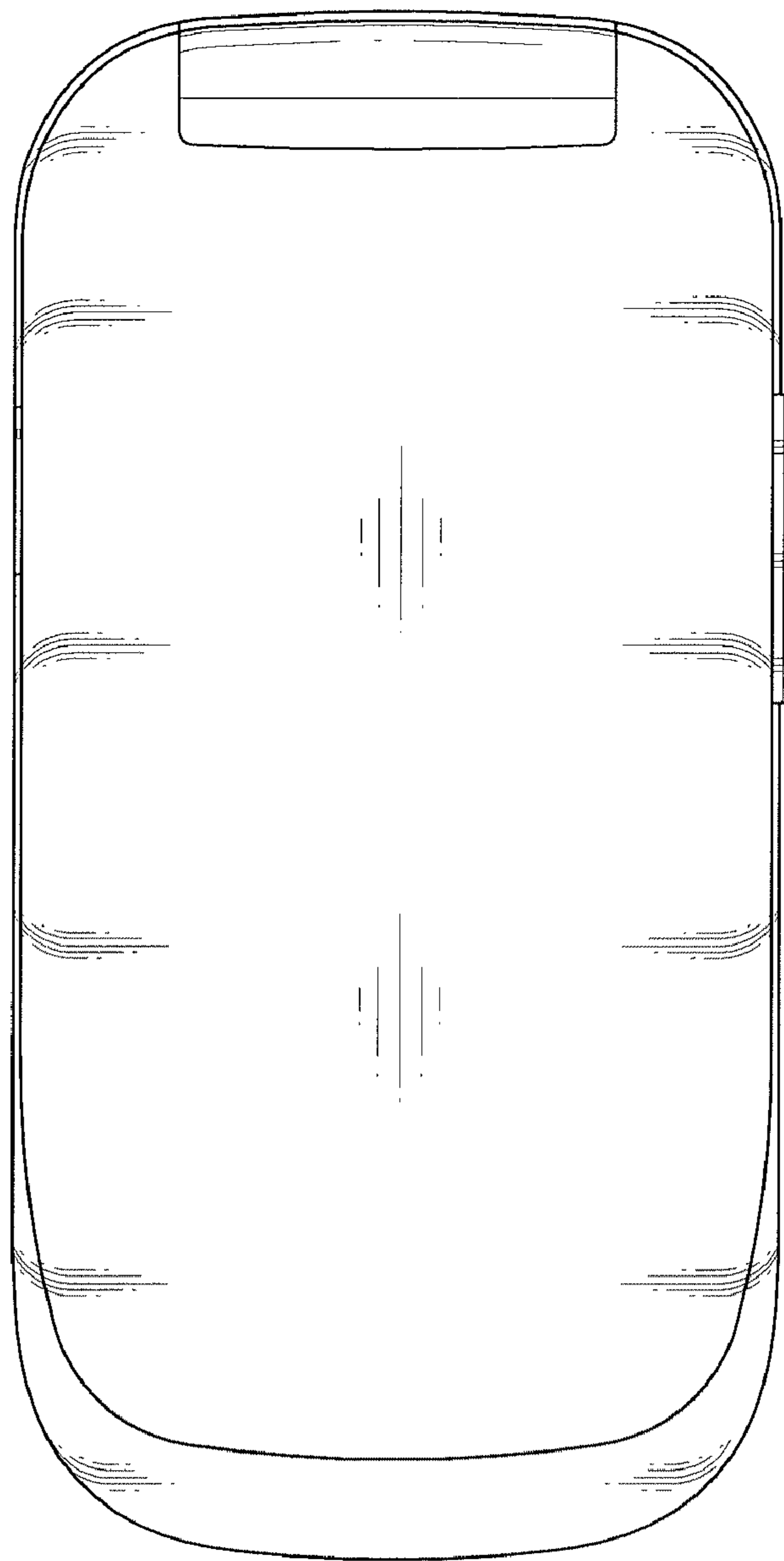


FIG 4

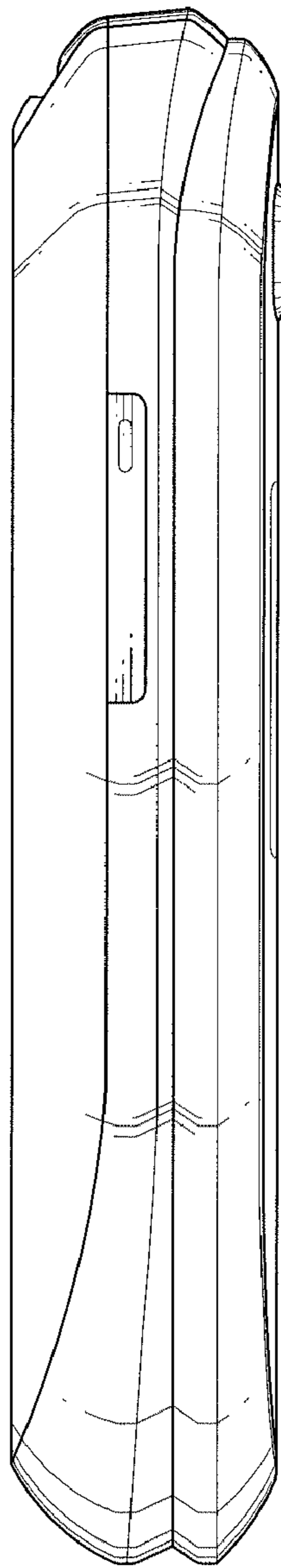


FIG. 5

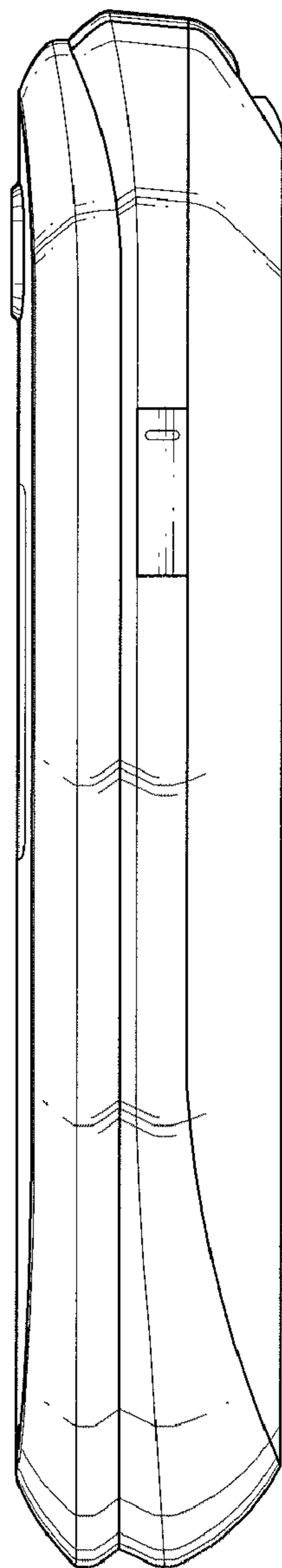


FIG. 6

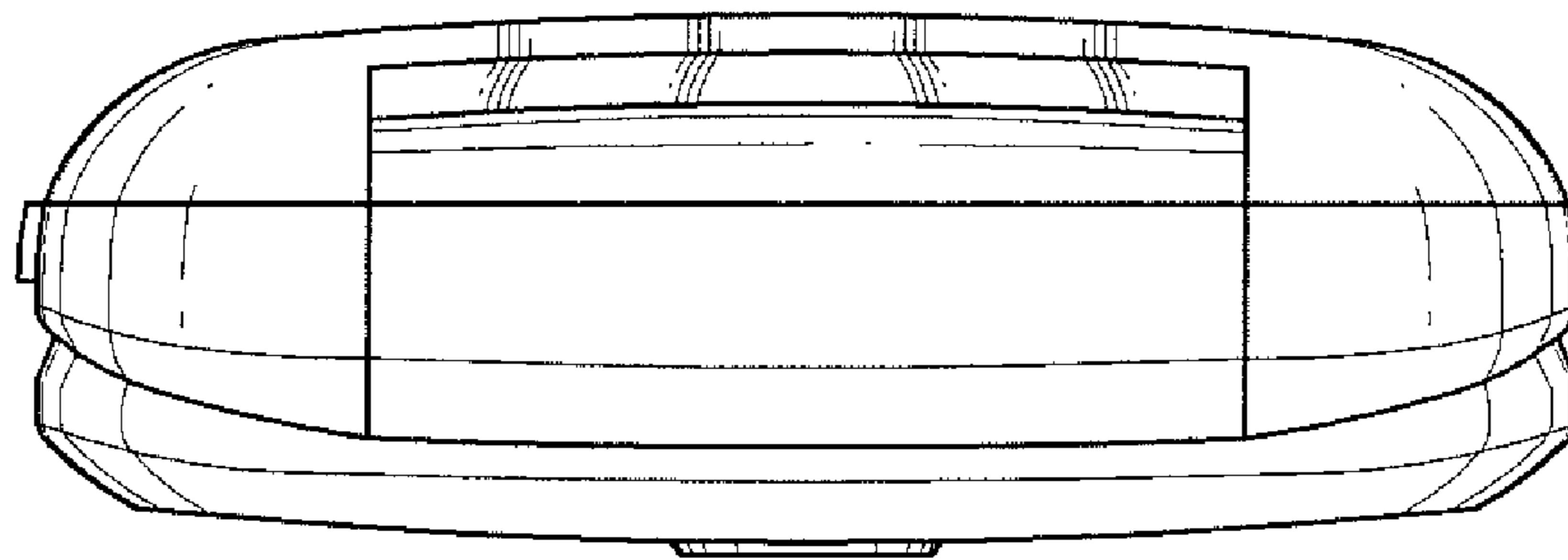


FIG. 7

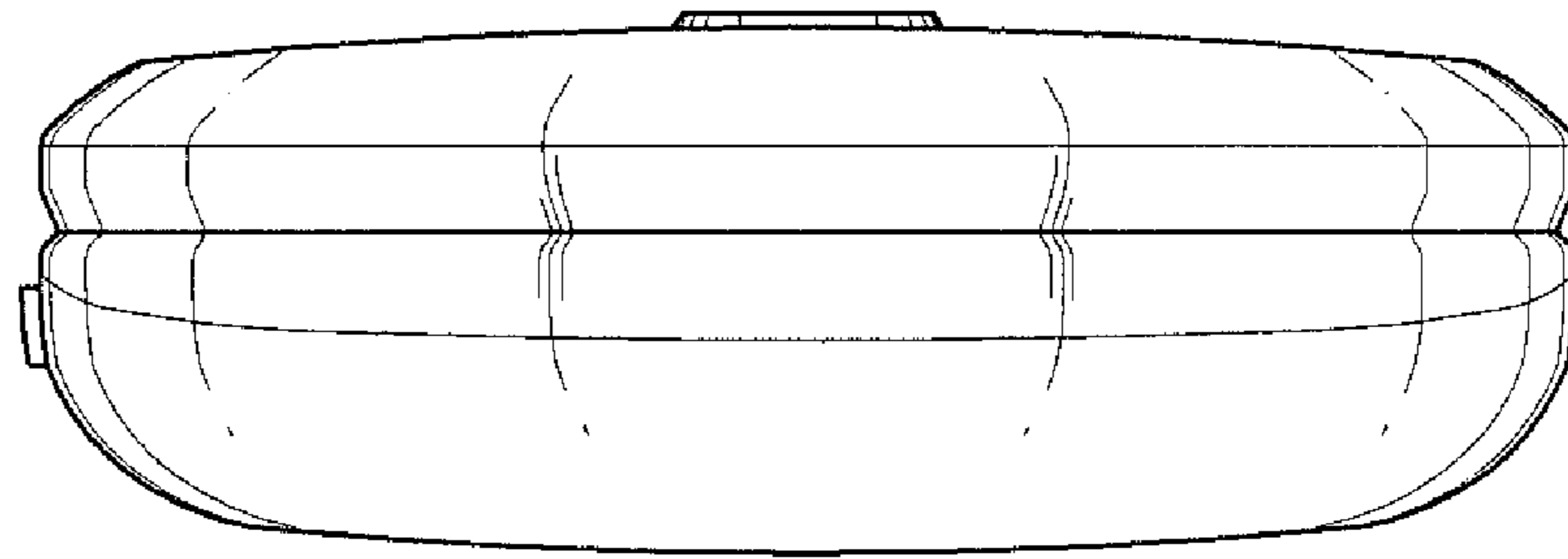


FIG.8

