



US00D645013S

(12) **United States Design Patent**
Lee et al.

(10) **Patent No.:** **US D645,013 S**
(45) **Date of Patent:** **** Sep. 13, 2011**

(54) **MOBILE PHONE**

(75) Inventors: **Ji-Young Lee**, Seoul (KR); **Min-Hyouk Lee**, Seoul (KR)

(73) Assignee: **Samsung Electronics Co., Ltd.**, Suwon-Si (KR)

(**) Term: **14 Years**

(21) Appl. No.: **29/379,764**

(22) Filed: **Nov. 24, 2010**

(30) **Foreign Application Priority Data**

Sep. 3, 2010 (KR) 30-2010-0038812

(51) **LOC (9) Cl.** **14-03**

(52) **U.S. Cl.** **D14/138 AB**

(58) **Field of Classification Search** D14/138 AB,
D14/138 AA, 496, 341, 345, 346, 203.3,
D14/203.4, 203.7, 138 AD, 138 R, 147, 218,
D14/137; 455/575.1, 556.2, 575.3, 575.4;
D21/517; 379/433.01, 433.04, 433.11, 433.12,
379/433.13; D13/168
See application file for complete search history.

(56) **References Cited**

U.S. PATENT DOCUMENTS

D577,018 S * 9/2008 Lin D14/346
D583,341 S * 12/2008 Wang D14/138 AB
D591,254 S * 4/2009 Lim et al. D14/138 AA
D592,211 S * 5/2009 Ichise et al. D14/346
D593,059 S * 5/2009 Kim et al. D14/138 G
D593,987 S * 6/2009 Lin D14/138 AB
D607,864 S * 1/2010 Zhou et al. D14/138 AA
D622,249 S * 8/2010 Kwon et al. D14/138 G
D623,623 S * 9/2010 Kayoko D14/138 AB
D624,515 S * 9/2010 Kim et al. D14/138 AB
D624,517 S * 9/2010 Lee et al. D14/138 AB
D626,929 S * 11/2010 Ge D14/138 AB
D626,931 S * 11/2010 Kim et al. D14/138 AB
D627,325 S * 11/2010 Zhang et al. D14/138 AB
D629,799 S * 12/2010 Andre et al. D14/341

D631,864 S * 2/2011 Jung D14/138 AB
D632,271 S * 2/2011 Arnholt et al. D14/138 AB
D633,064 S * 2/2011 Kim et al. D14/138 AD
D633,494 S * 3/2011 Yang D14/346
D635,540 S * 4/2011 Kim et al. D14/138 G
2010/0113100 A1* 5/2010 Harmon et al. 455/566
2010/0267428 A1* 10/2010 Wang et al. 455/575.4

OTHER PUBLICATIONS

Samsung S5330 Wave533 telephone, announced Jun. 2010, [online], [site visited Mar. 25, 2011]. Available from Internet, <URL: http://www.gsmarena.com>.*

Motorola Backflip telephone, announced Jan. 2010, [online], [site visited Mar. 25, 2011]. Available from Internet, <URL: http://www.gsmarena.com>.*

LG KT610 telephone, announced Feb. 2008, [online], [site visited Mar. 25, 2011]. Available from Internet, <URL: http://www.gsmarena.com>.*

Toshiba G910/G920 telephone, announced Jan. 2008, [online], [site visited Mar. 25, 2011]. Available from Internet, <URL: http://www.gsmarena.com>.*

* cited by examiner

Primary Examiner — Jeffrey D Asch

(74) *Attorney, Agent, or Firm* — Staas & Halsey LLP

(57) **CLAIM**

The ornamental design for a mobile phone, as shown and described.

DESCRIPTION

FIG. 1 is a front perspective view of a mobile phone; FIG. 2 is a front view of the mobile phone of FIG. 1; FIG. 3 is a rear view of the mobile phone of FIG. 1; FIG. 4 is a left-side view of the mobile phone of FIG. 1; FIG. 5 is a right-side view of the mobile phone of FIG. 1; FIG. 6 is a top plan view of the mobile phone of FIG. 1; FIG. 7 is a bottom plan view of the mobile phone of FIG. 1; and, FIG. 8 is a sideways open front perspective view of the mobile phone of FIG. 1.

1 Claim, 8 Drawing Sheets

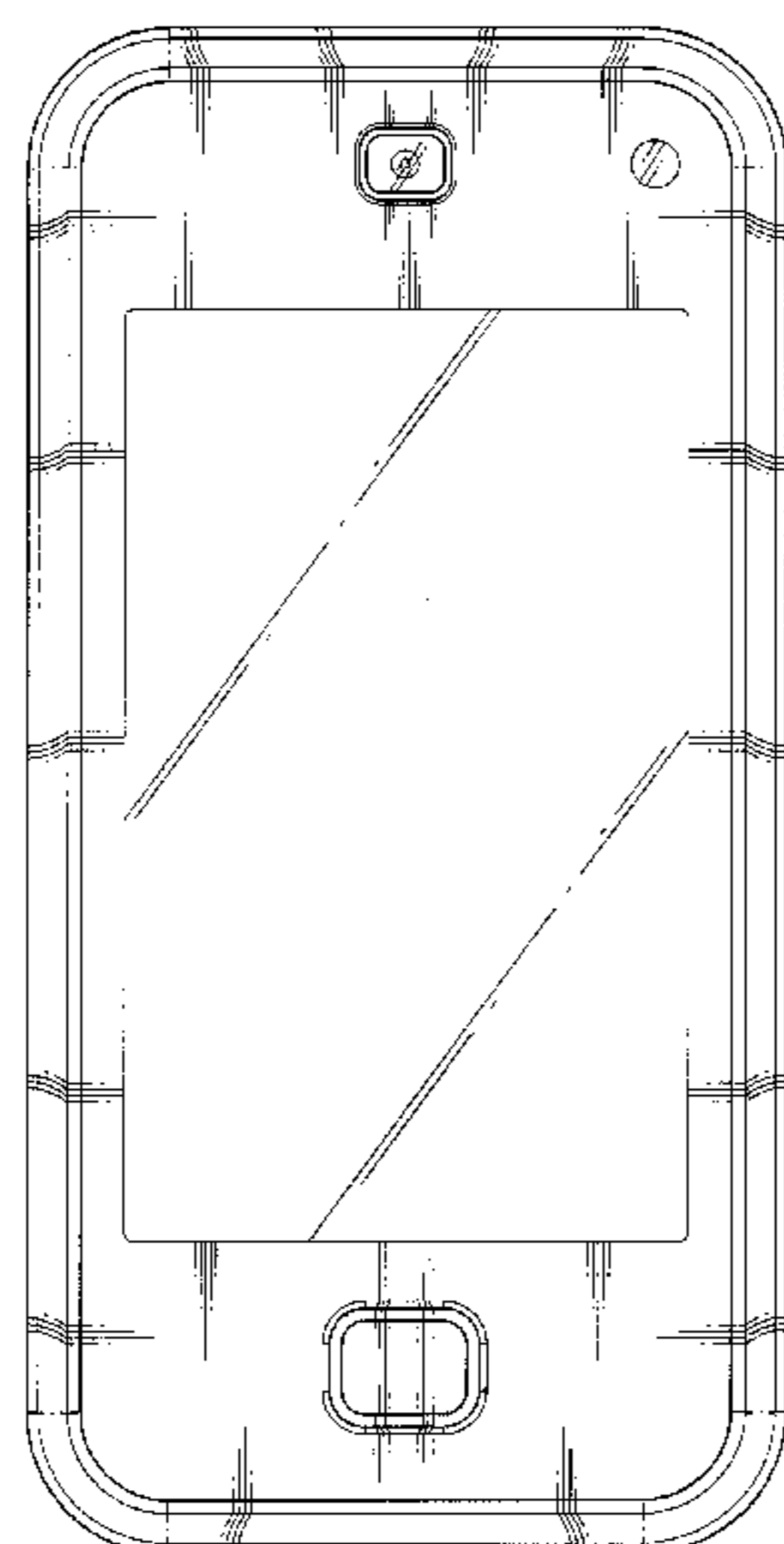


FIG. 1

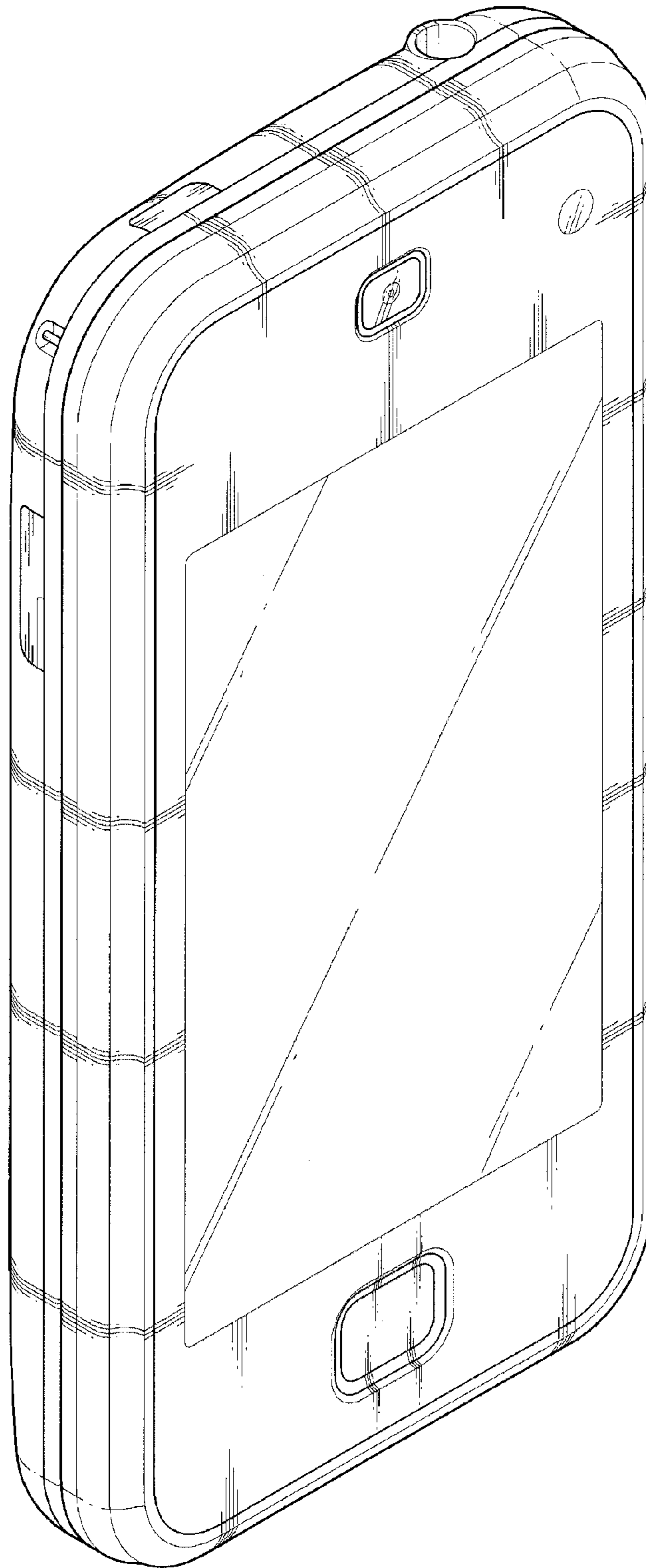


FIG. 2

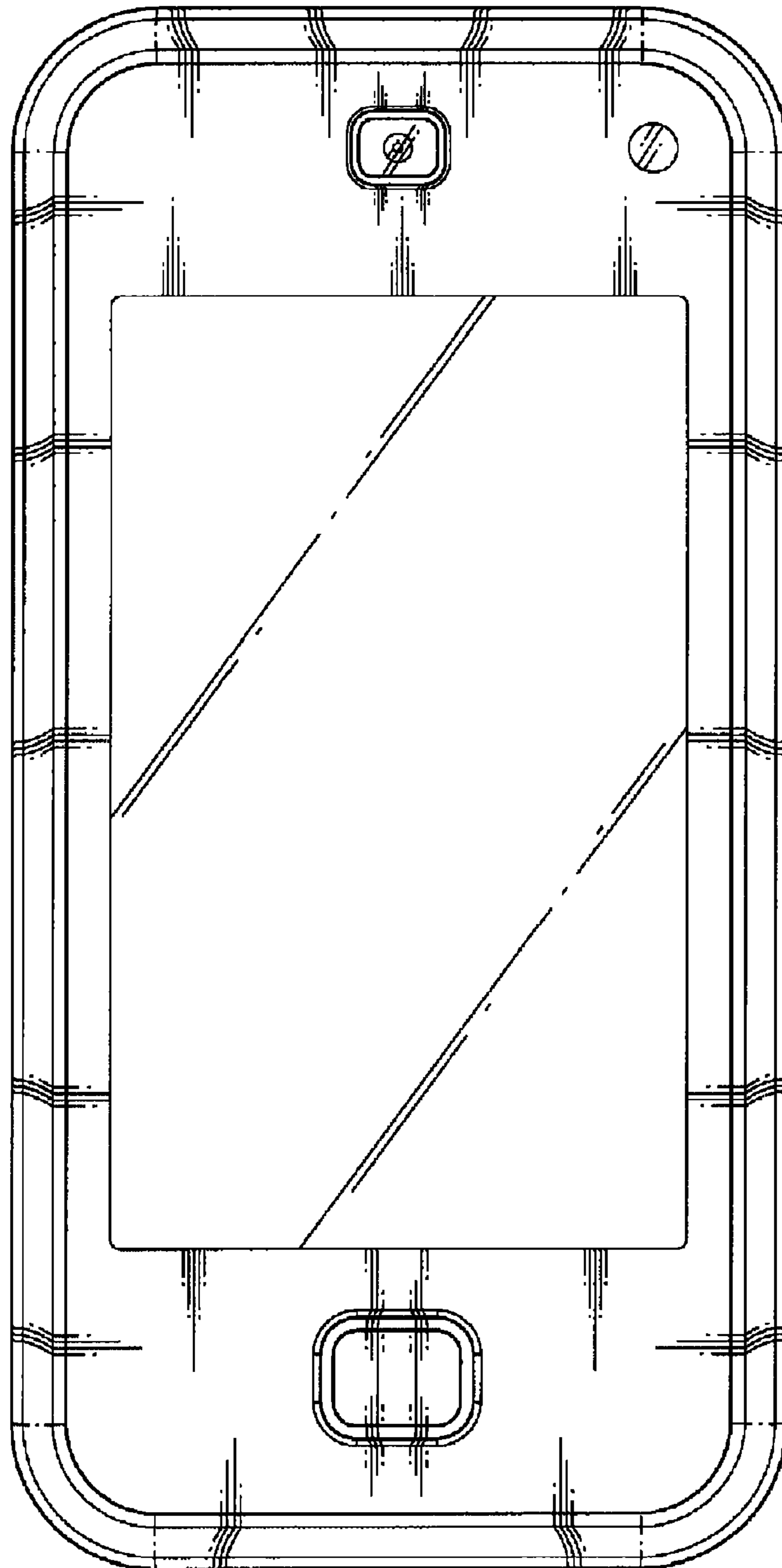


FIG. 3

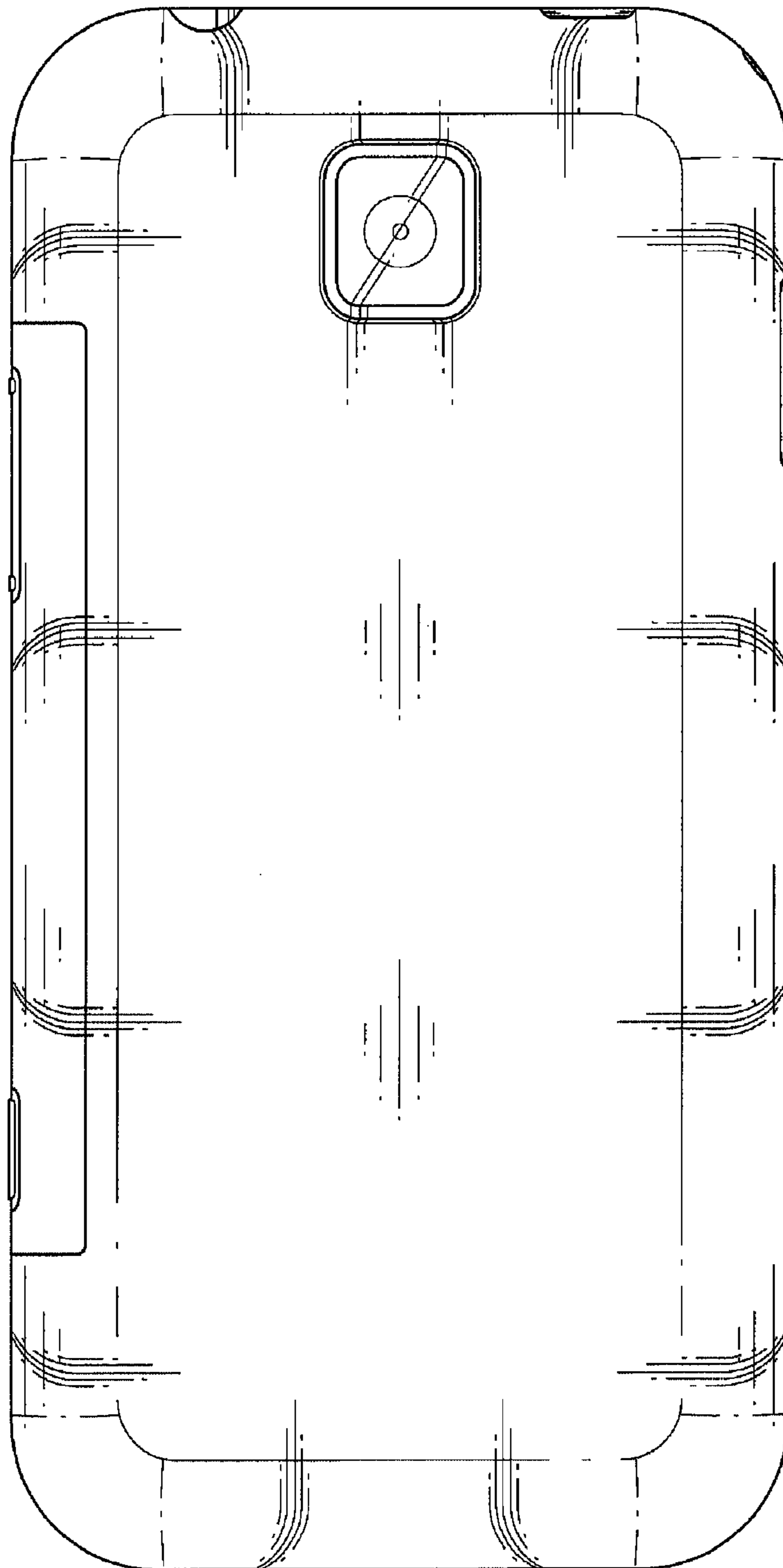


FIG. 4

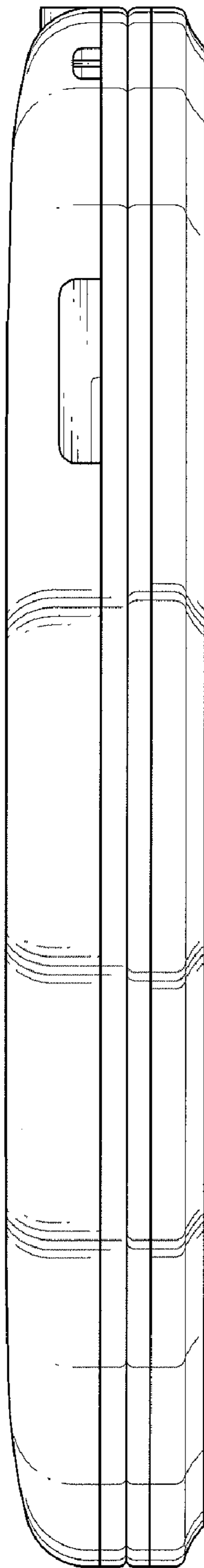


FIG. 5

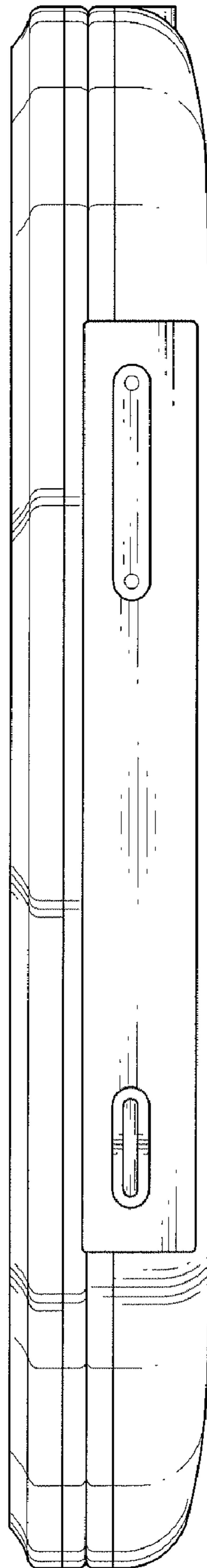


FIG. 6

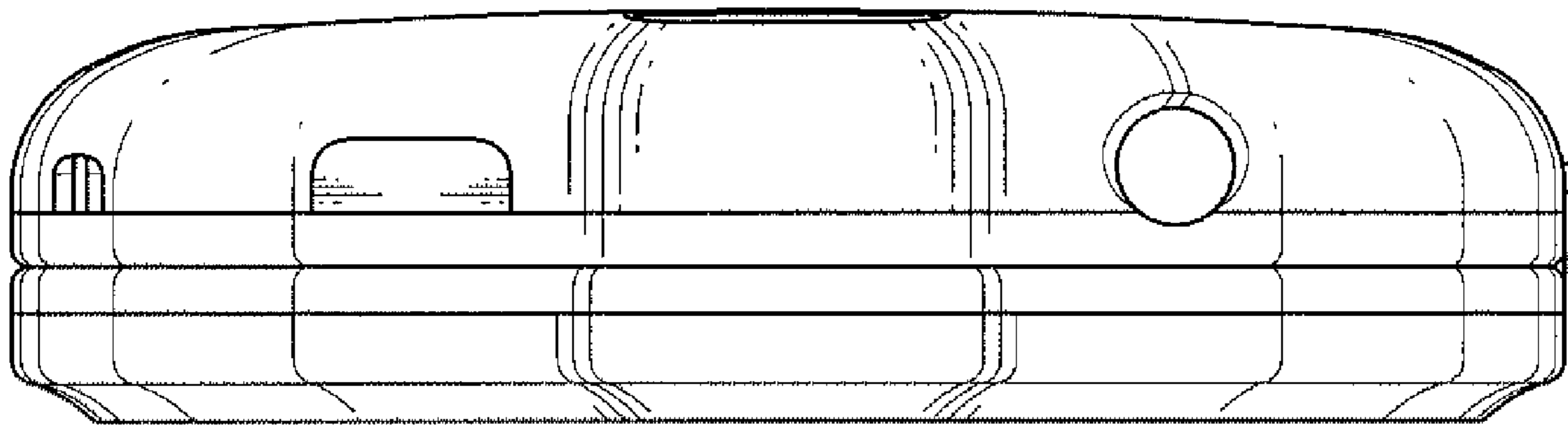


FIG. 7

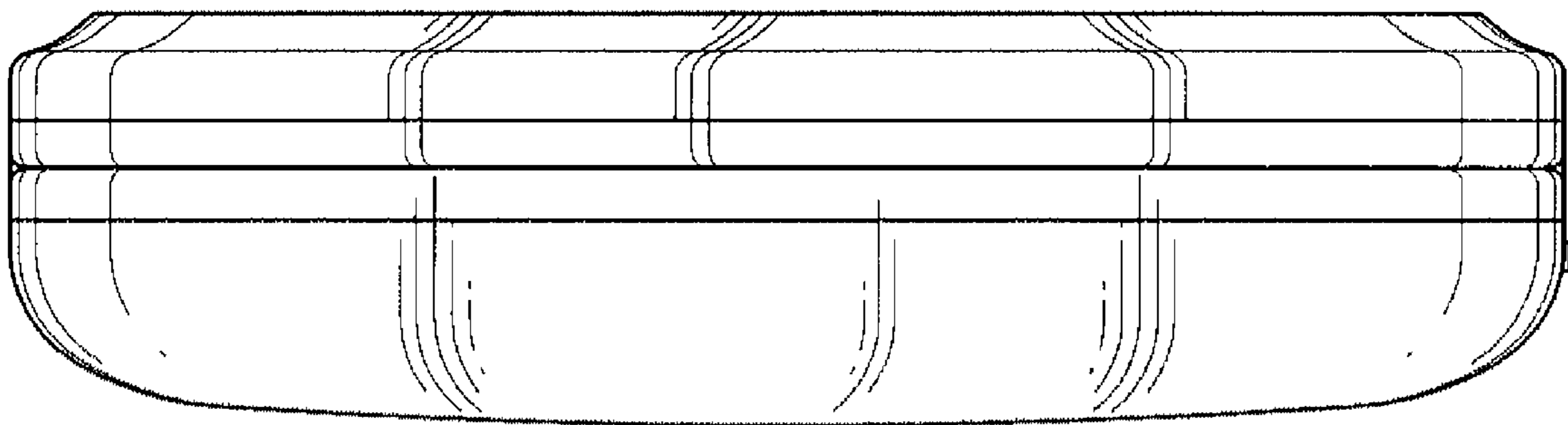


FIG. 8

