



US00D645010S

(12) **United States Design Patent**
Lee et al.

(10) **Patent No.:** **US D645,010 S**
(45) **Date of Patent:** **** Sep. 13, 2011**

(54) **MOBILE PHONE**

(75) Inventors: **Ji-Young Lee**, Seoul (KR); **Nam-Mi Kim**, Seoul (KR)

(73) Assignee: **Samsung Electronics Co., Ltd.**, Suwon-Si (KR)

(**) Term: **14 Years**

(21) Appl. No.: **29/379,107**

(22) Filed: **Nov. 15, 2010**

(30) **Foreign Application Priority Data**

Sep. 10, 2010 (KR) 30-2010-0040047

(51) **LOC (9) Cl.** **14-03**

(52) **U.S. Cl.** **D14/138 G**

(58) **Field of Classification Search** D14/138 R,
D14/138 AD, 138 AC, 138 C, 138 G, 191,
D14/203.1–203.8, 496, 138 AA, 138 AB,
D14/137, 147, 218, 341–347, 247–248; D10/65,
D10/78, 104; D13/168; D18/7; 455/566,
455/575.1, 575.3, 575.4

See application file for complete search history.

(56) **References Cited**

U.S. PATENT DOCUMENTS

D337,569 S * 7/1993 Kando D14/341
D498,754 S * 11/2004 Blyth D14/341
D530,699 S * 10/2006 Lee et al. D14/138 G
D543,174 S * 5/2007 Kim D14/138 AD
D548,713 S * 8/2007 Lee et al. D14/138 AD
D557,238 S * 12/2007 Kim D14/138 AD
D560,193 S * 1/2008 Sung et al. D14/138 AD
D572,695 S * 7/2008 Tu D14/138 AD
D578,503 S * 10/2008 Shin et al. D14/138 AD
D581,385 S * 11/2008 Park et al. D14/138 AD
D581,894 S * 12/2008 Kim D14/138 G
D594,433 S * 6/2009 Seo et al. D14/138 AD

D601,539 S * 10/2009 Hong D14/138 G
D602,463 S * 10/2009 Eguchi D14/138 G
D603,356 S * 11/2009 Sterzick et al. D14/138 G
D611,025 S * 3/2010 Yu D14/138 G
D615,055 S * 5/2010 Lee et al. D14/138 G
D618,200 S * 6/2010 Kim et al. D14/138 AD
D619,983 S * 7/2010 Fujimura et al. D14/138 G
D622,691 S * 8/2010 Kim et al. D14/138 G
D627,758 S * 11/2010 Sheba et al. D14/203.7
D631,464 S * 1/2011 Kim D14/138 G
D631,864 S * 2/2011 Jung D14/138 AB
D635,541 S * 4/2011 Park et al. D14/138 G
2006/0223596 A1 * 10/2006 Hur 455/575.4
2007/0218963 A1 * 9/2007 Kim 455/575.4

OTHER PUBLICATIONS

Alcatel OT-818, announced Feb. 2011, [online], [retrieved on Feb. 17, 2011]. Retrieved from Internet ,<URL: <http://www.gsmarena.com>>.*

HTC Touch HD, announced Sep. 2008, [online], [retrieved on Sep. 19, 2008]. Retrieved from Internet ,<URL: <http://www.gsmarena.com>>.*

(Continued)

Primary Examiner — Bridget L Eland

(74) *Attorney, Agent, or Firm* — Staas & Halsey LLP

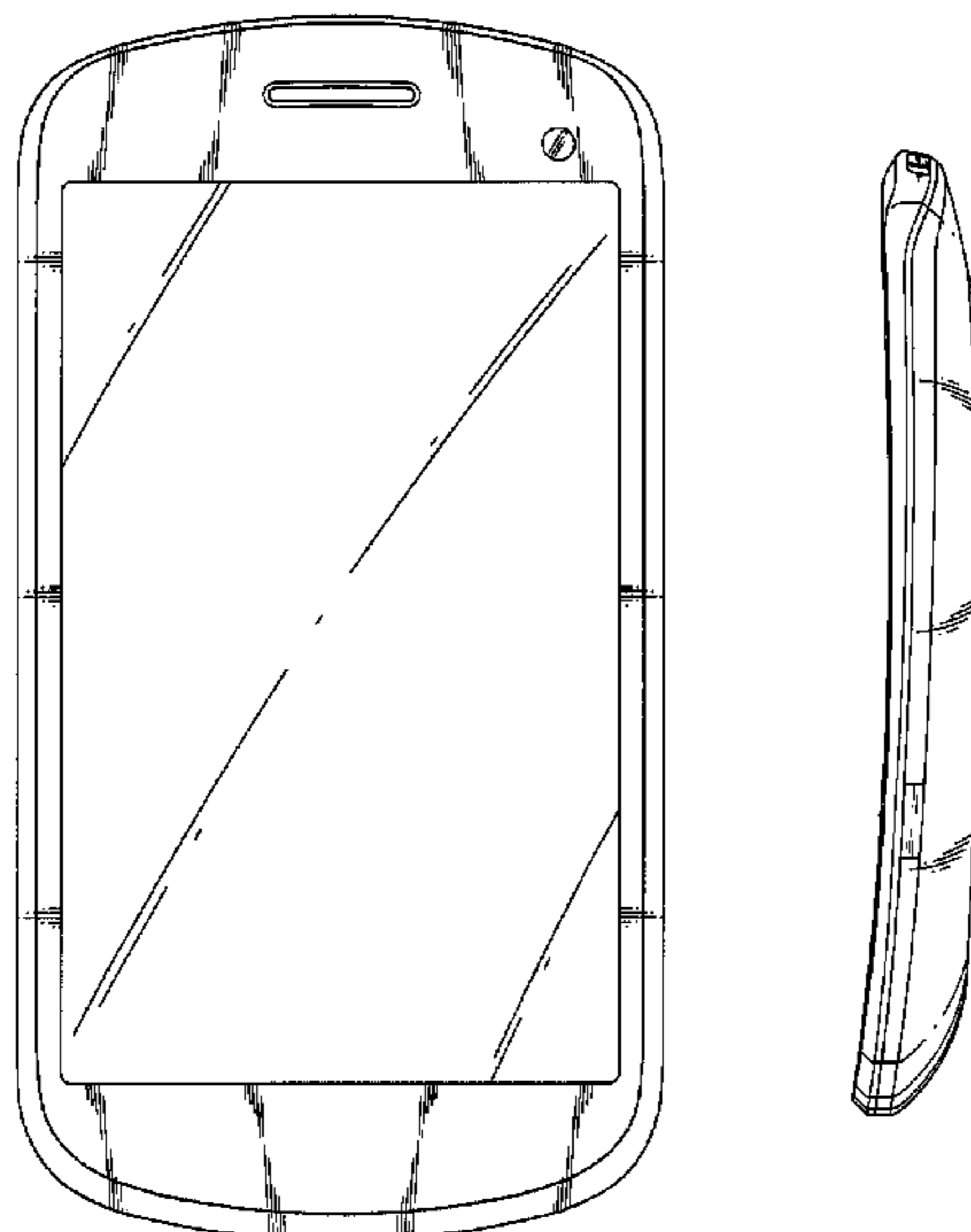
(57) **CLAIM**

The ornamental design for a mobile phone, as shown and described.

DESCRIPTION

FIG. 1 is a front perspective view of a mobile phone;
FIG. 2 is a front view of the mobile phone of FIG. 1;
FIG. 3 is a rear view of the mobile phone of FIG. 1;
FIG. 4 is a left-side view of the mobile phone of FIG. 1;
FIG. 5 is a right-side view of the mobile phone of FIG. 1;
FIG. 6 is a top plan view of the mobile phone of FIG. 1; and,
FIG. 7 is a bottom plan view of the mobile phone of FIG. 1.

1 Claim, 7 Drawing Sheets



OTHER PUBLICATIONS

Motorola XT800, announced Dec. 2009, [online], [retrieved on Jan. 4, 2010]. Retrieved from Internet ,<URL: <http://www.gsmarena.com>>.*

Philips X800, announced May 2008, [online], [retrieved on May 14, 2008]. Retrieved from Internet ,<URL: <http://www.gsmarena.com>>.*

* cited by examiner

FIG.1

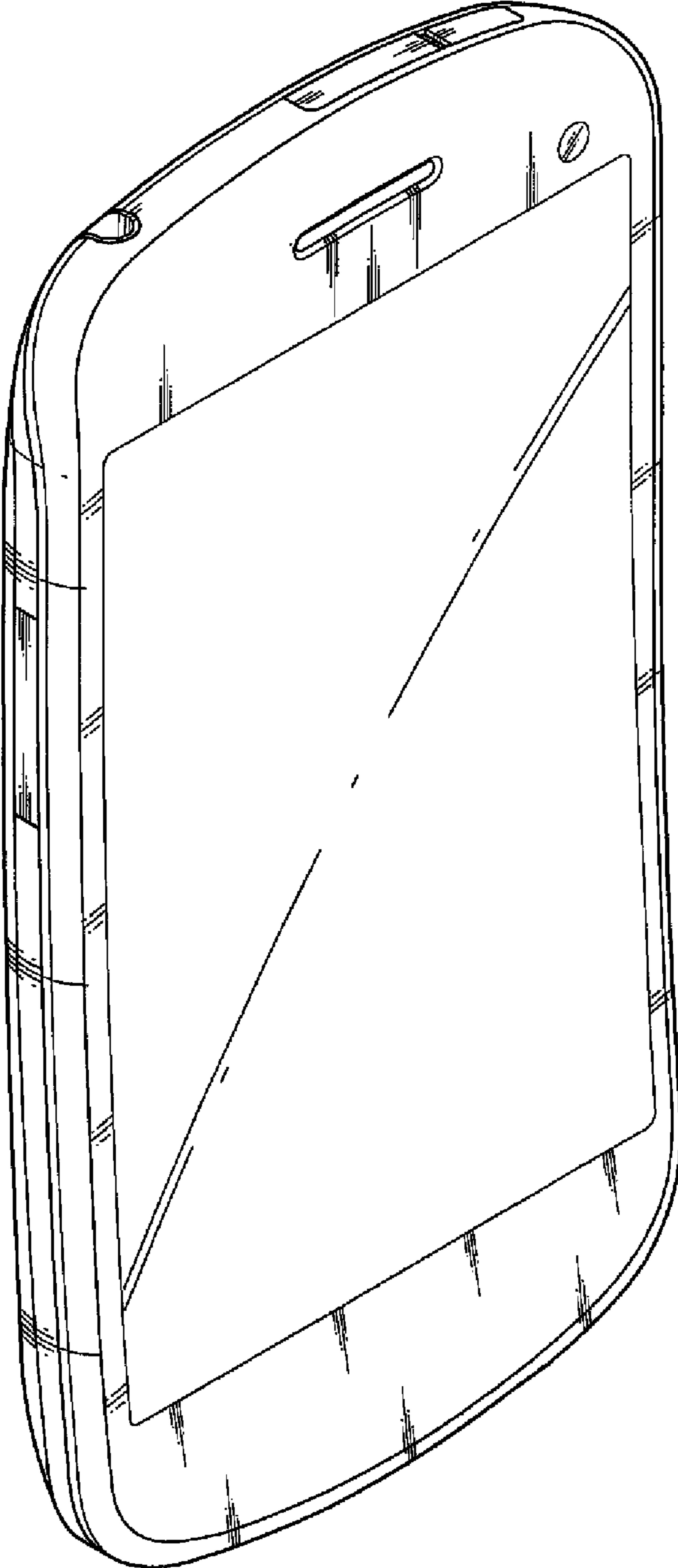


FIG.2

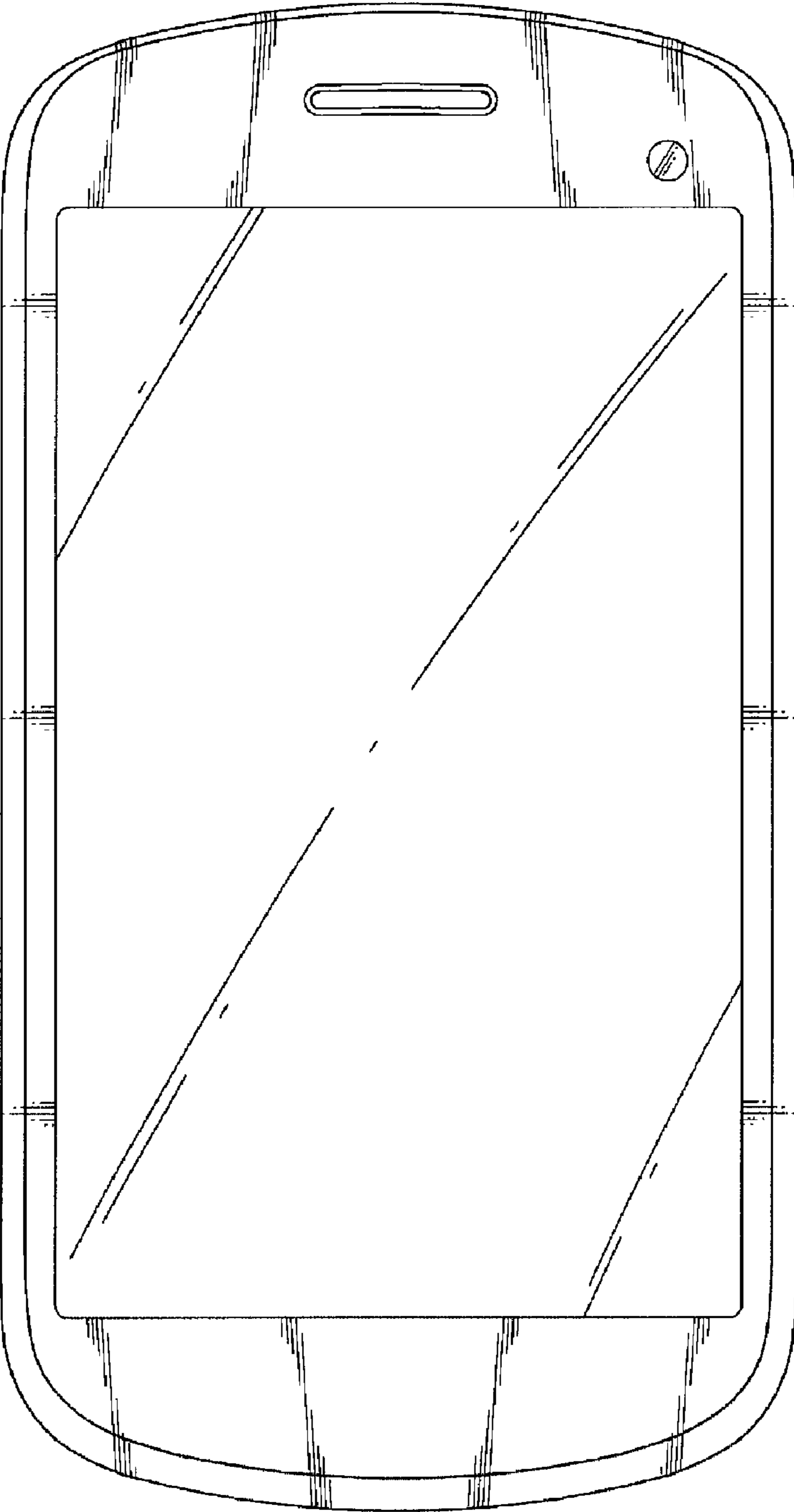


FIG.3

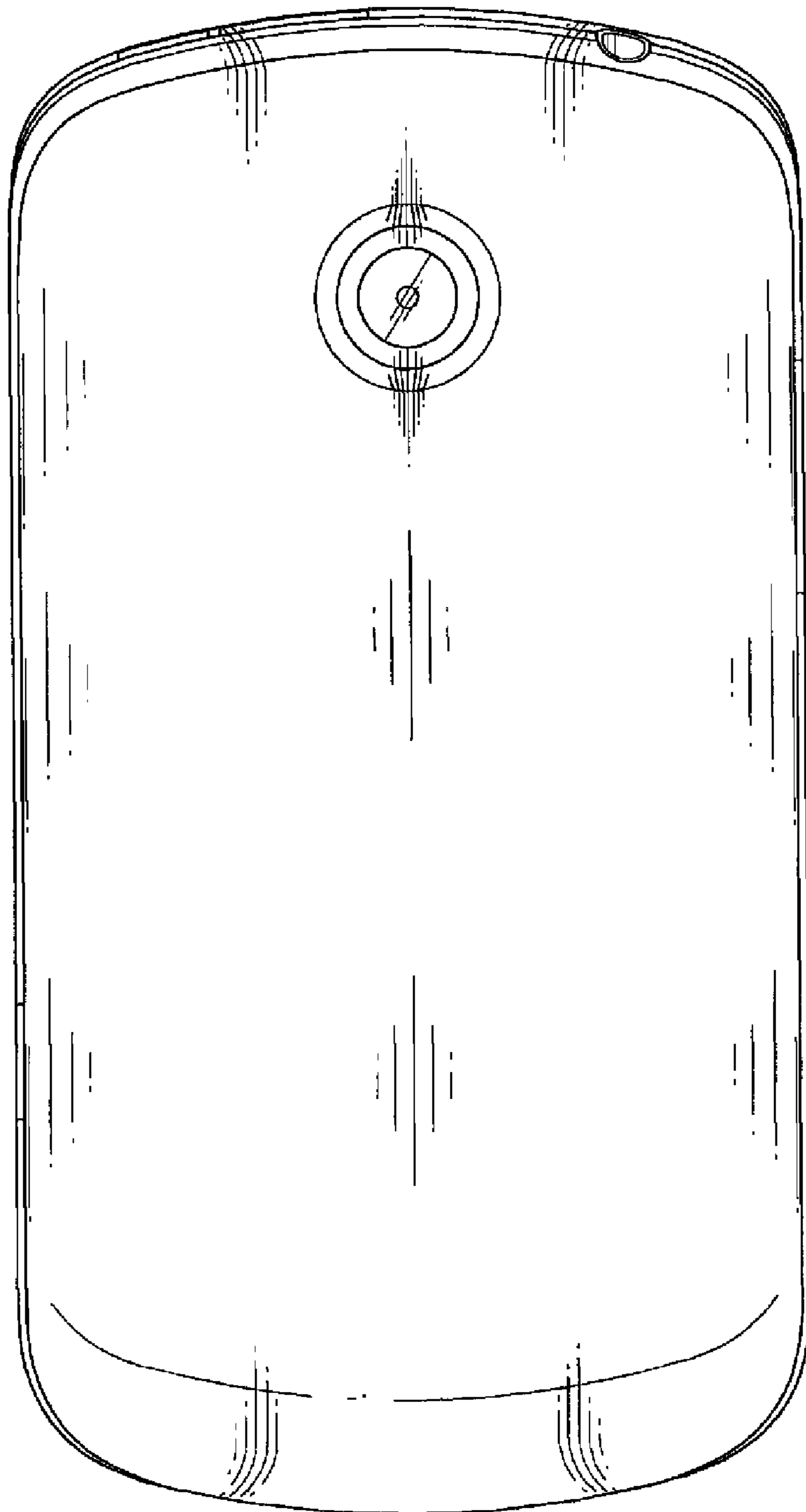


FIG. 4



FIG. 5

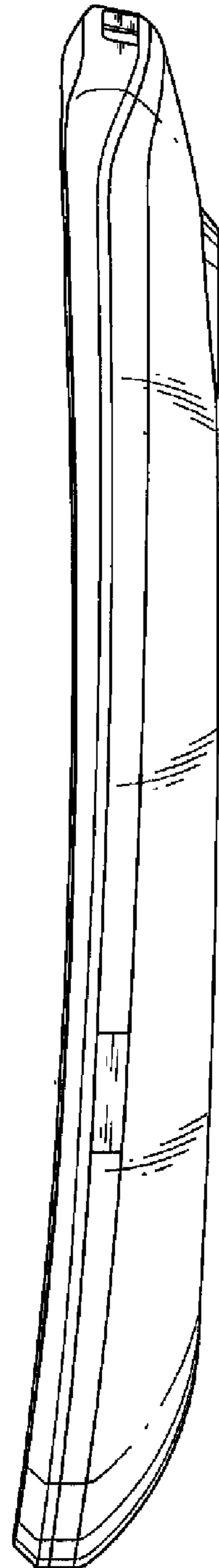


FIG. 6

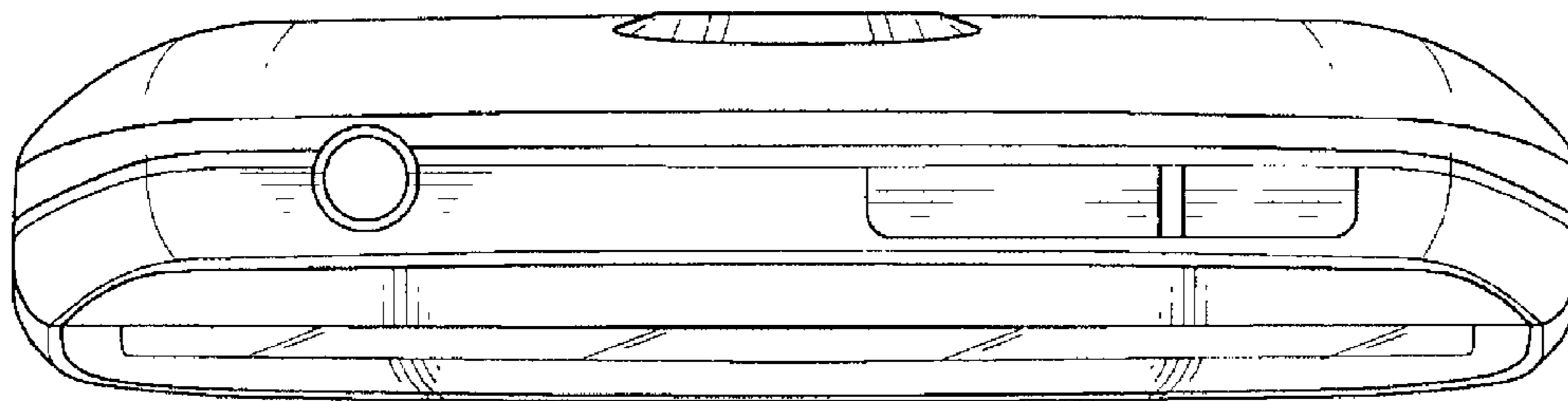


FIG. 7

