



US00D645008S

(12) **United States Design Patent**  
**Shan et al.**

(10) **Patent No.:** **US D645,008 S**

(45) **Date of Patent:** **\*\* Sep. 13, 2011**

(54) **LIGHT EMITTING DIODE DEVICE**

(75) Inventors: **Li-Wei Shan**, Miao-Li County (TW);  
**Wen Huang Liu**, Miao-Li (TW)

(73) Assignee: **SemiLEDs Optoelectronics Co., Ltd.**

(\*\*) Term: **14 Years**

(21) Appl. No.: **29/378,722**

(22) Filed: **Nov. 8, 2010**

(51) **LOC (9) Cl.** ..... **13-03**

(52) **U.S. Cl.** ..... **D13/180**

(58) **Field of Classification Search** ..... D13/180;  
257/79, 80, 81, 88, 89, 95, 98, 99, 100, E33.058;  
313/483, 498, 500; 362/555, 800  
See application file for complete search history.

(56) **References Cited**

**U.S. PATENT DOCUMENTS**

5,652,434	A	7/1997	Nakamura et al.	
6,097,040	A	8/2000	Morimoto et al.	
6,153,894	A	11/2000	Udagawa	
6,204,512	B1	3/2001	Nakamura et al.	
6,281,526	B1	8/2001	Nitta et al.	
6,287,947	B1	9/2001	Ludowise et al.	
6,344,665	B1	2/2002	Sung et al.	
6,495,862	B1	12/2002	Okazaki et al.	
6,844,571	B2	1/2005	Krames et al.	
6,847,052	B2	1/2005	Fan et al.	
D521,952	S	5/2006	Yamada et al.	
D580,888	S	11/2008	Liu	
D599,748	S	9/2009	Liu	
D602,450	S *	10/2009	Edmond et al.	D13/180
D604,256	S	11/2009	Liu	
D606,949	S	12/2009	Liu	
D618,637	S *	6/2010	Liu et al.	D13/180
D620,460	S *	7/2010	Liu	D13/180
D620,897	S *	8/2010	Shan et al.	D13/180

D624,510	S *	9/2010	Liu et al.	D13/180
D627,747	S *	11/2010	Chu et al.	D13/180
7,843,060	B2 *	11/2010	Edmond	257/724
D631,017	S *	1/2011	Arazoe et al.	D13/180
D631,018	S *	1/2011	Arazoe et al.	D13/180
D633,876	S *	3/2011	Shan et al.	D13/180
D635,525	S *	4/2011	Edmond et al.	D13/180
2006/0220056	A1 *	10/2006	Lee	257/100

\* cited by examiner

*Primary Examiner* — Selina Sikder

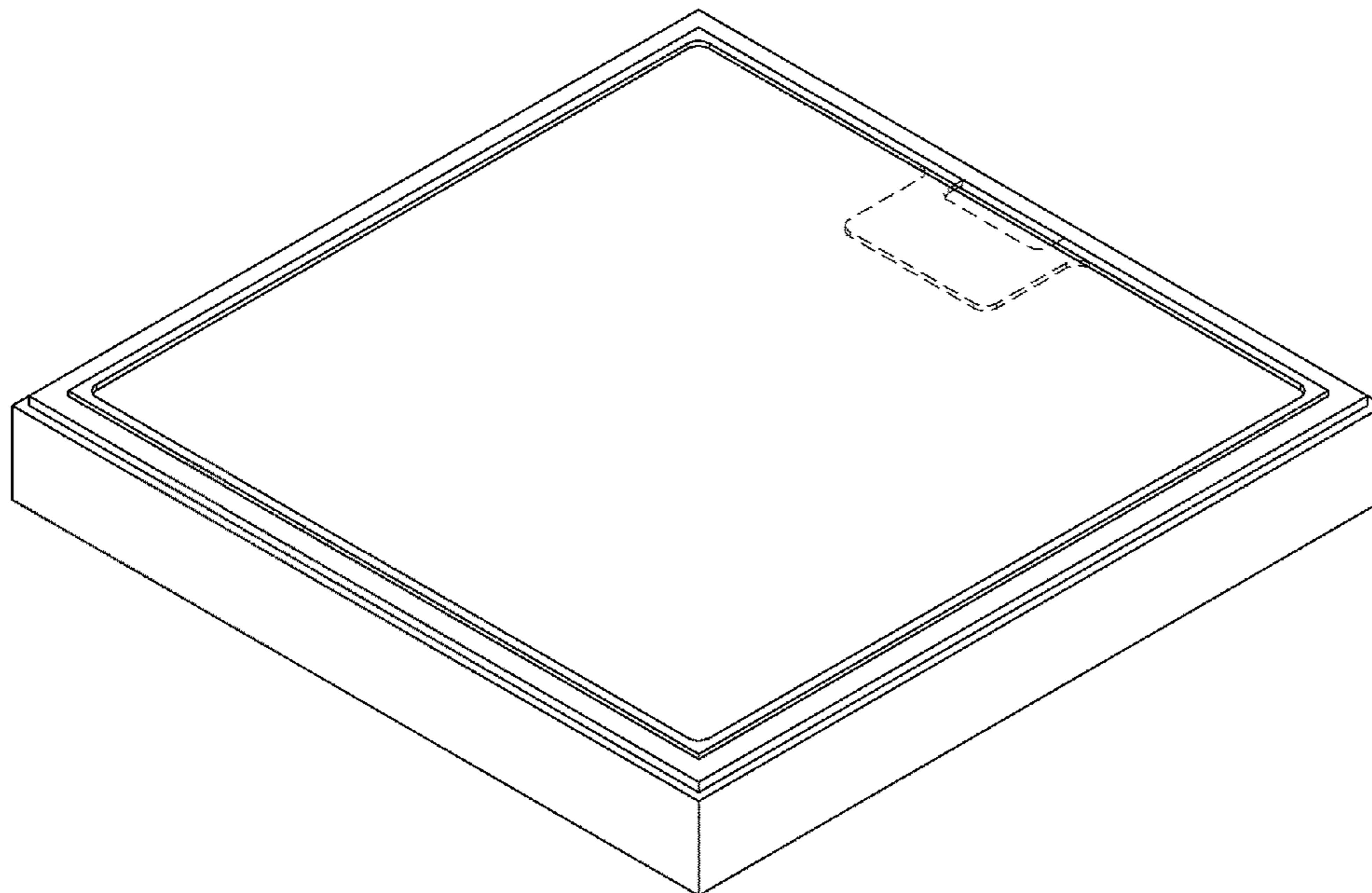
(57) **CLAIM**

The ornamental design for a light emitting diode device, as shown and described in the drawings.

**DESCRIPTION**

FIG. 1 is a perspective view of a light emitting diode device showing my new design;  
 FIG. 2 is a top view thereof;  
 FIG. 3 is a front view thereof;  
 FIG. 4 is a back view thereof;  
 FIG. 5 is a left view thereof;  
 FIG. 6 is a right view thereof;  
 FIG. 7 is a cross-sectional view thereof, take along line 7-7 in FIG. 3.;  
 FIG. 8 is a cross-sectional view thereof, take along line 8-8 in FIG. 3.;  
 FIG. 9 is a right side view of thereof; the left side view is a mirror image of the right side view; and,  
 FIG. 10 is a front view of thereof; the backside view is a mirror image of the front side view.  
 It will be understood that the dash lines presented in the drawings are for illustration only, and do not form a part of the claimed design.

**1 Claim, 5 Drawing Sheets**



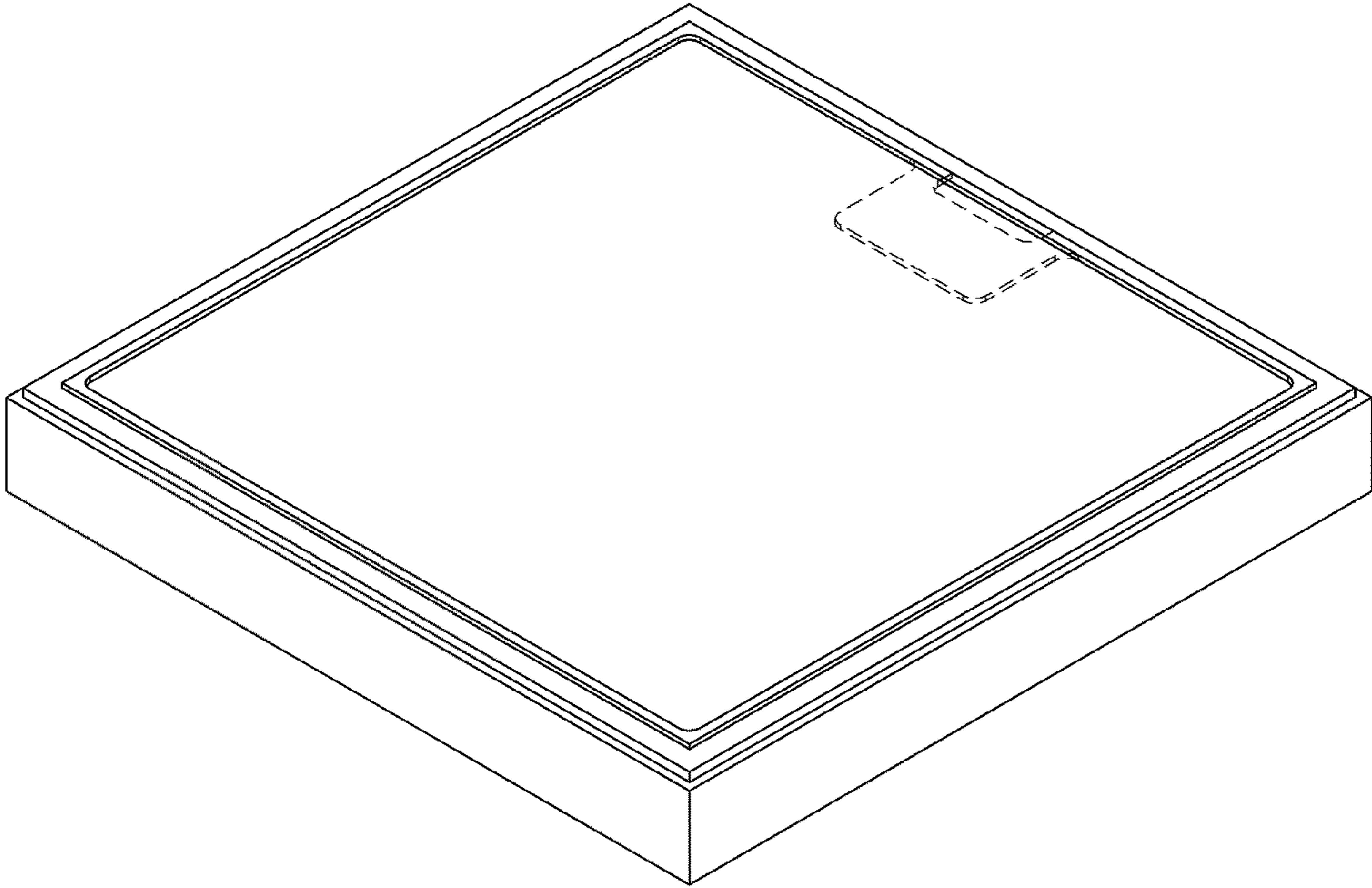


Fig. 1

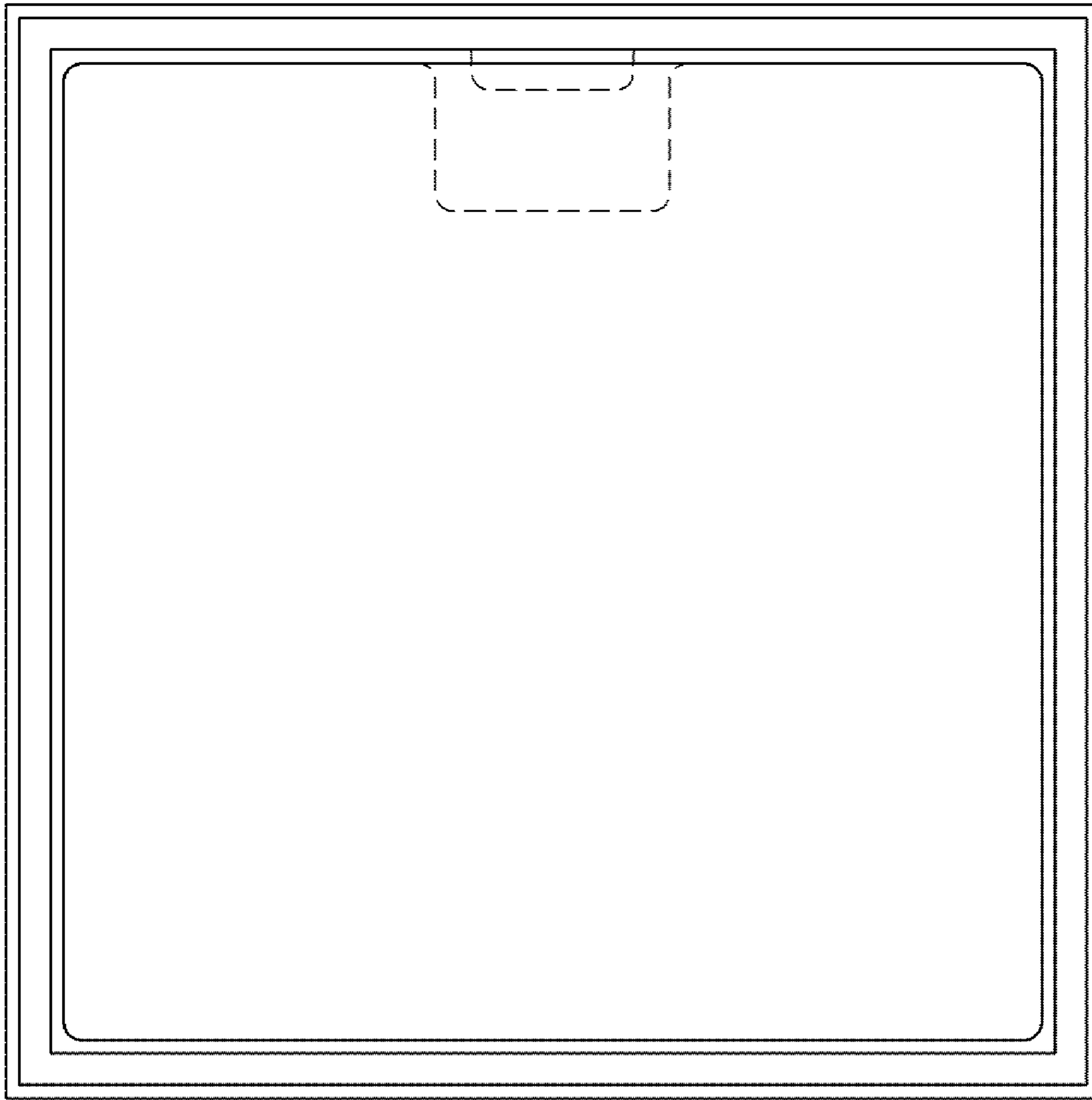


Fig. 2

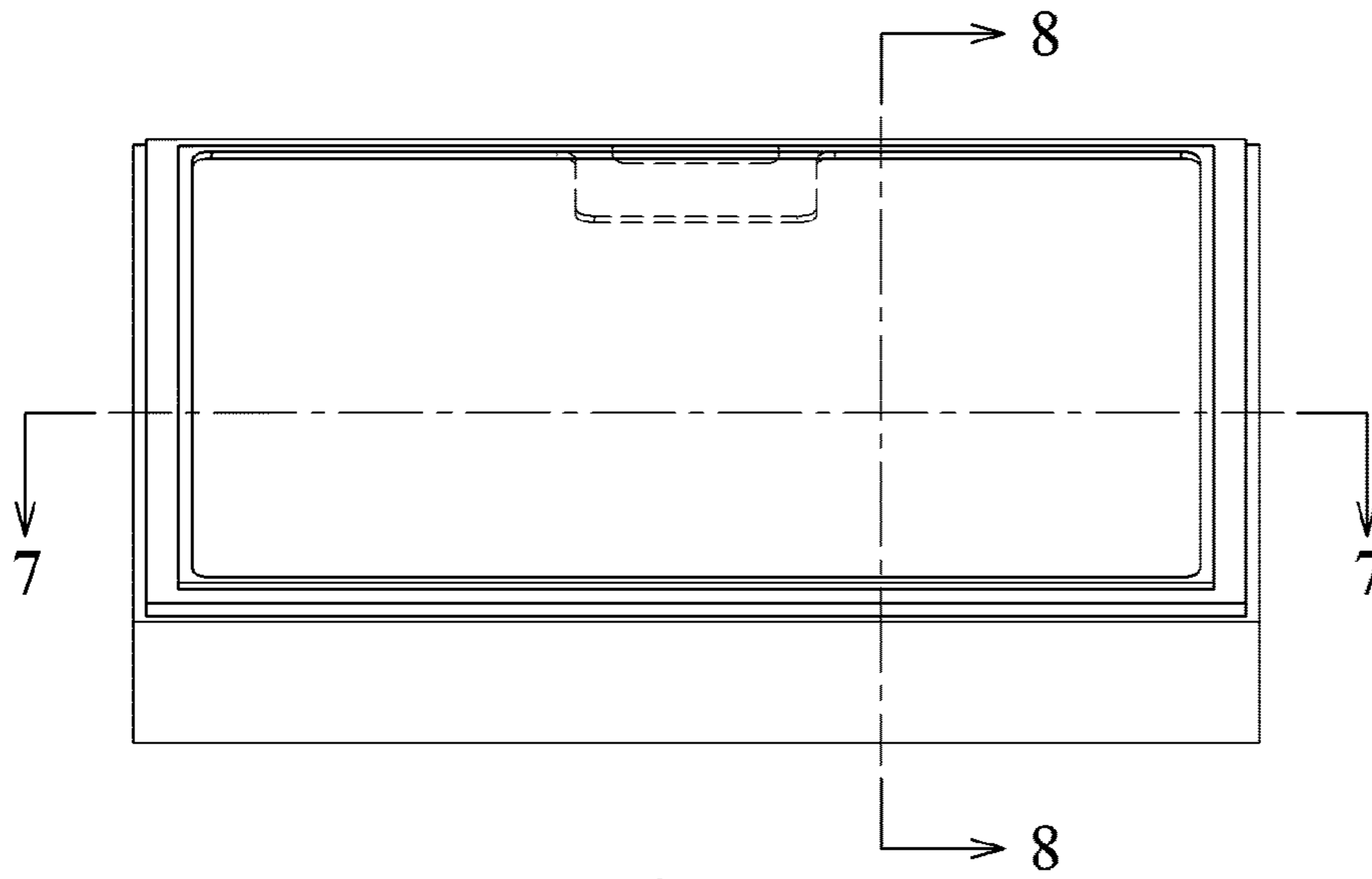


Fig. 3

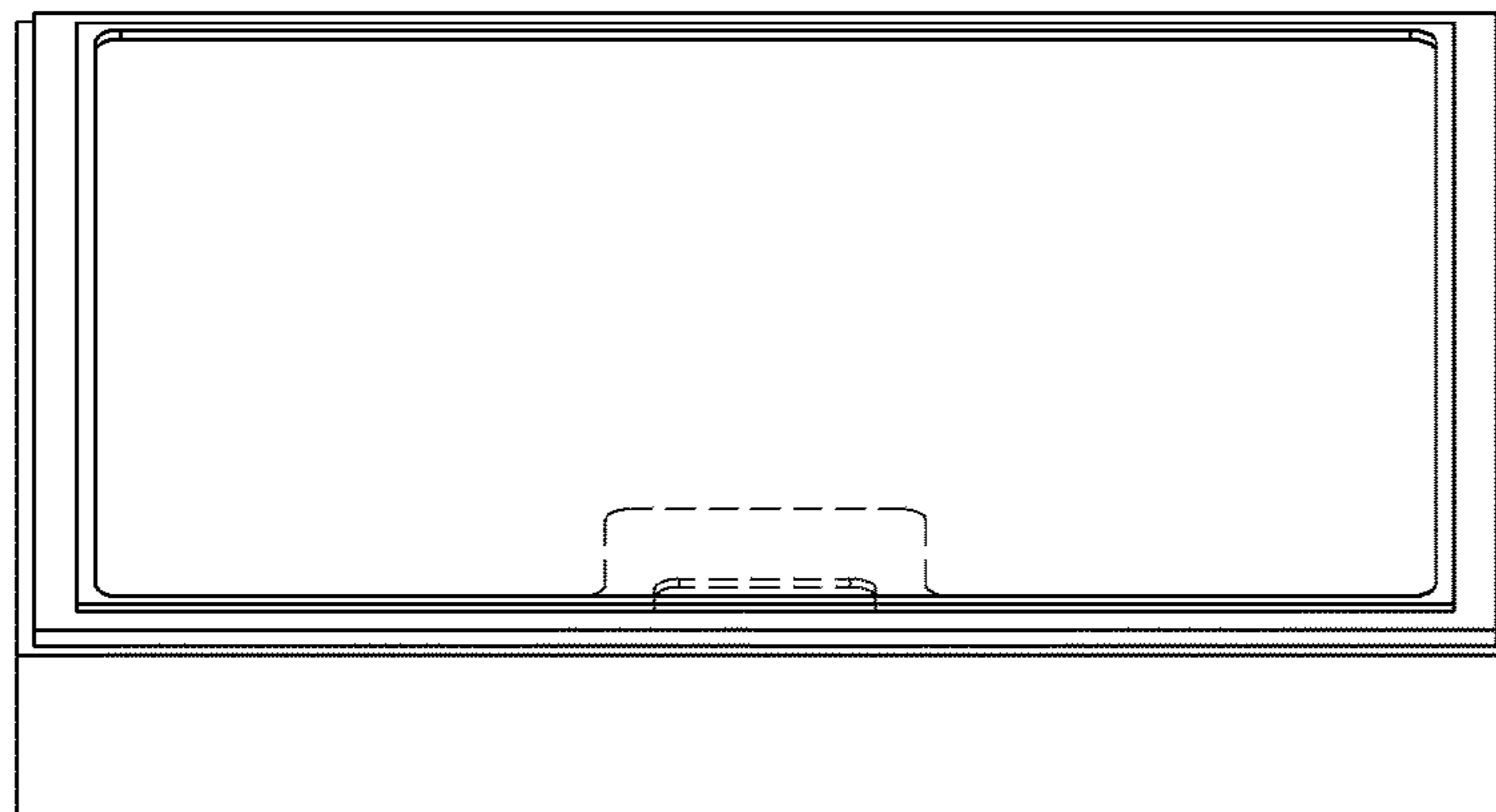


Fig. 4

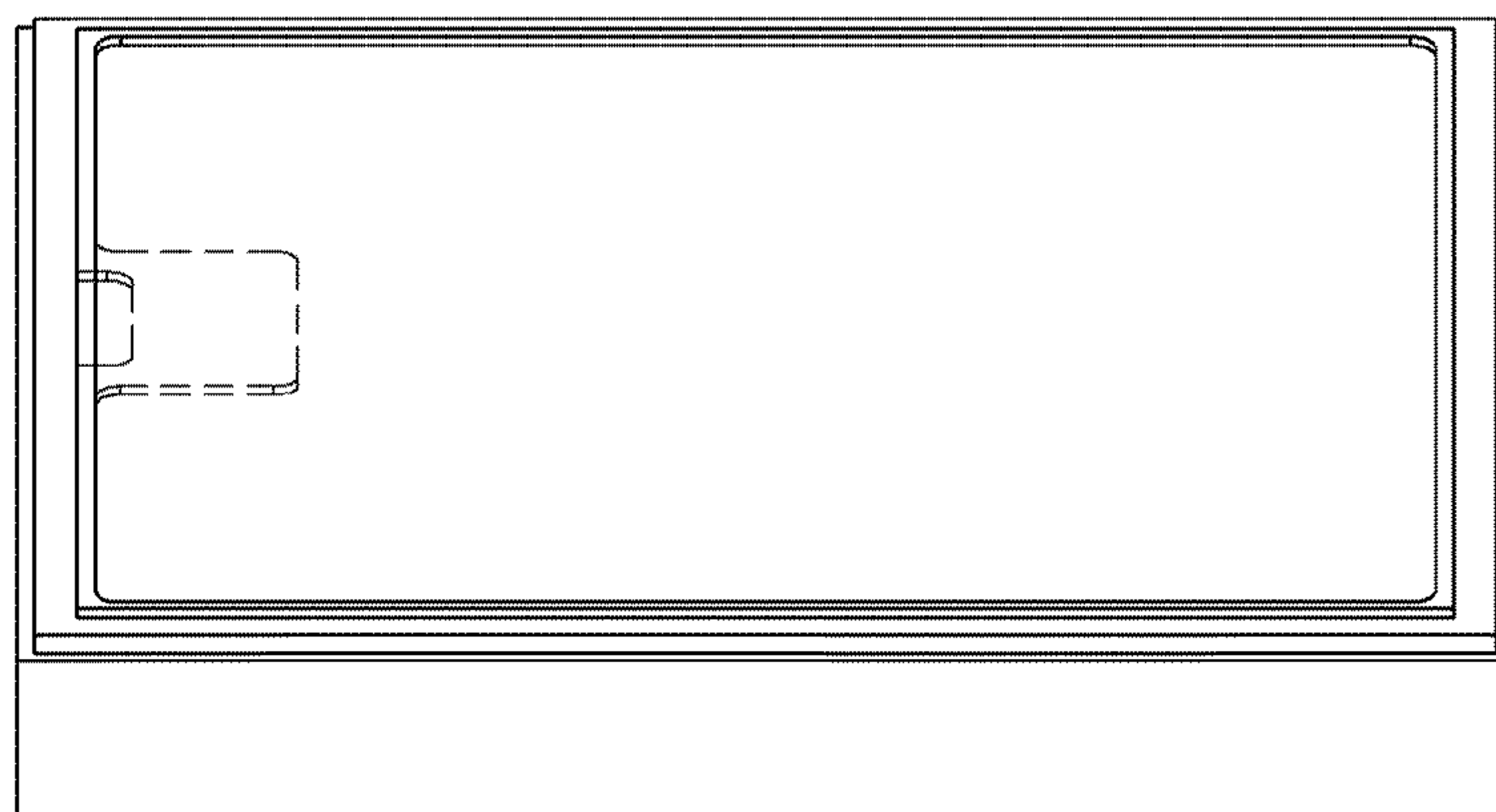


Fig. 5

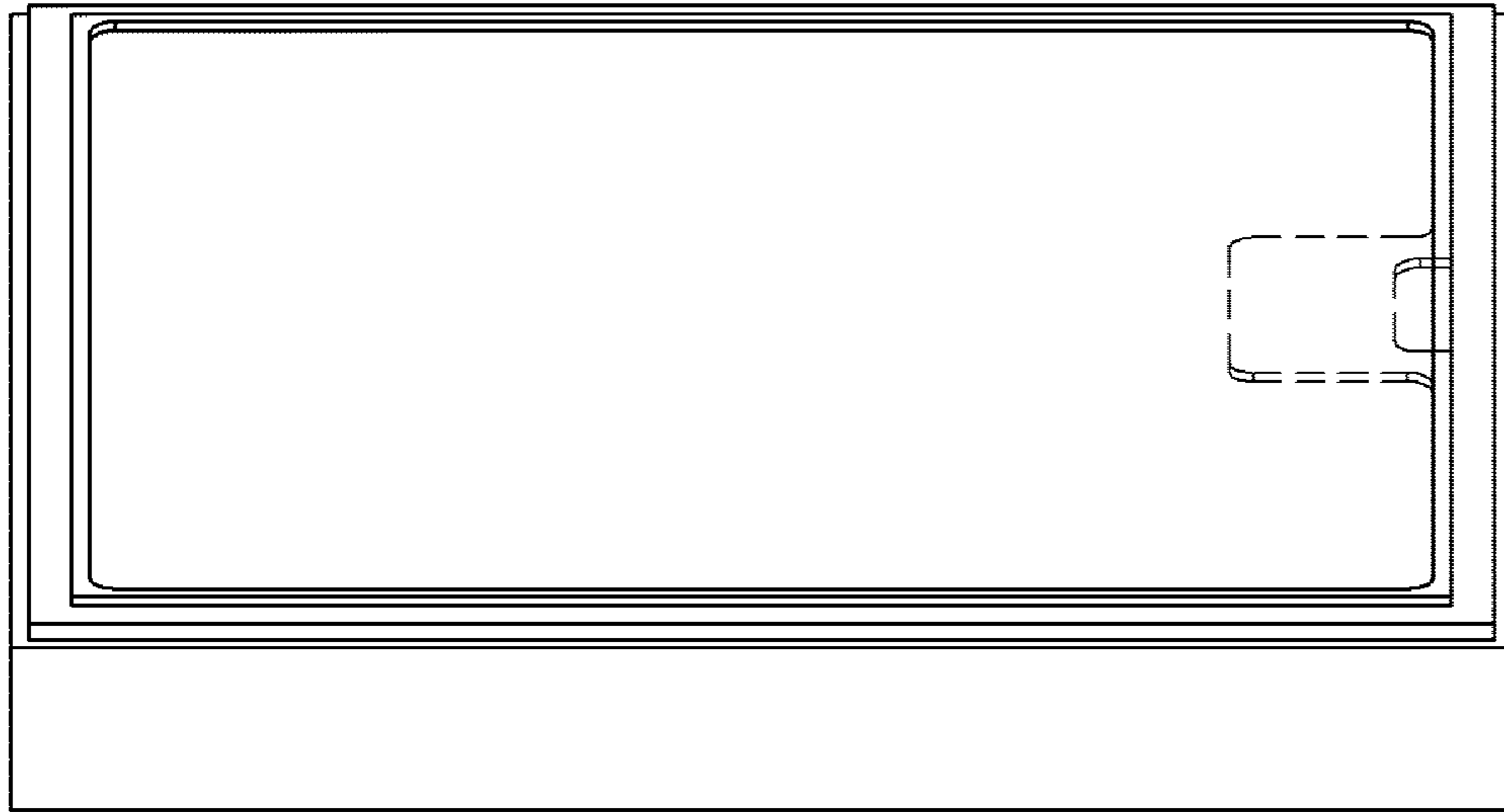


Fig. 6

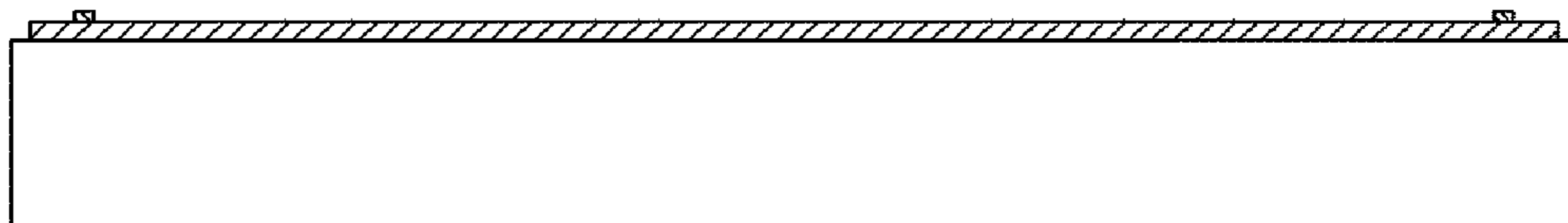


Fig. 7

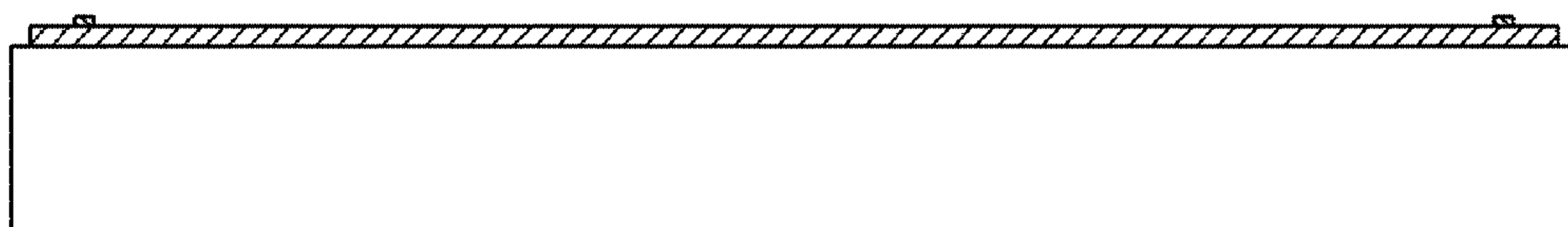


Fig. 8

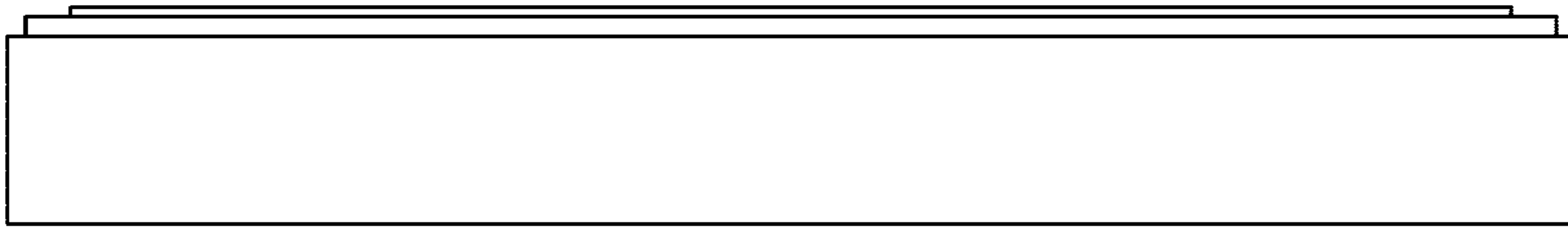


Fig. 9

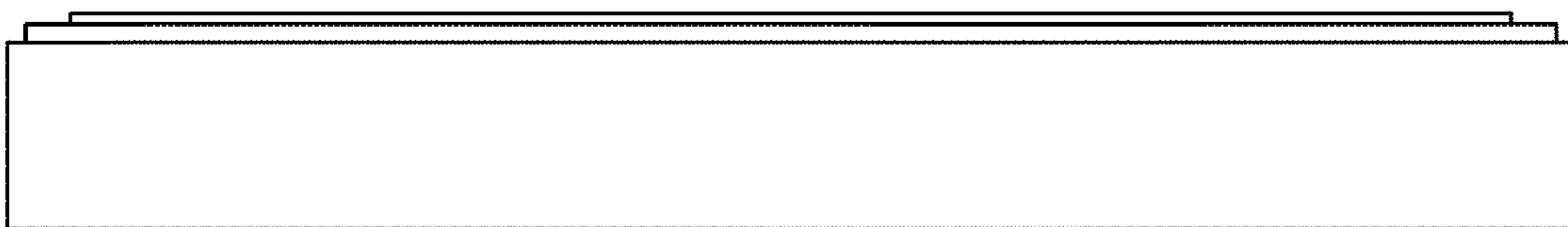


Fig. 10