



US00D645007S

(12) **United States Design Patent**
Alexander

(10) **Patent No.:** **US D645,007 S**

(45) **Date of Patent:** **** Sep. 13, 2011**

(54) **HEAT SINK AND SOCKET FOR A LIGHT FIXTURE**

(75) Inventor: **Clayton Alexander**, Westlake Village, CA (US)

(73) Assignee: **Journée Lighting, Inc.**, Westlake Village, CA (US)

(**) Term: **14 Years**

(21) Appl. No.: **29/379,758**

(22) Filed: **Nov. 23, 2010**

(51) **LOC (9) Cl.** **13-03**

(52) **U.S. Cl.** **D13/179; D13/134**

(58) **Field of Classification Search** D13/134, D13/179; D26/2, 63, 118, 138; 257/706, 257/707, 718-722; 361/695, 697, 700, 702, 361/704, 709, 710, 711, 719; 362/294; 165/80.3, 165/104.33, 122, 151, 185
See application file for complete search history.

(56) **References Cited**

U.S. PATENT DOCUMENTS

D149,124	S	3/1948	Hewitt	
D191,734	S	11/1961	Daher et al.	
3,538,321	A	11/1970	Keller et al.	
3,639,751	A	2/1972	Pichel	
4,761,721	A	8/1988	Willing	
D322,862	S	12/1991	Miller	
D340,514	S	10/1993	Liao	
D383,236	S	9/1997	Krogman	
D437,652	S	2/2001	Uhler et al.	
6,691,768	B2 *	2/2004	Hsieh et al.	165/80.3
D516,229	S	2/2006	Tang	
7,063,130	B2 *	6/2006	Huang	165/121
D527,119	S	8/2006	Maxik et al.	
7,111,963	B2	9/2006	Zhang	
D541,957	S	5/2007	Wang	
D545,457	S	6/2007	Chen	
7,303,301	B2 *	12/2007	Koren et al.	362/101

7,358,657	B2 *	4/2008	Koelger et al.	313/113
D568,829	S *	5/2008	Yamashita et al.	D13/179
7,396,146	B2 *	7/2008	Wang	362/294
D576,964	S *	9/2008	Shaner	D13/179
D579,421	S *	10/2008	Chu	D13/179
D585,588	S	1/2009	Alexander et al.	
D585,589	S	1/2009	Alexander et al.	
7,637,635	B2 *	12/2009	Xiao et al.	362/294
7,744,259	B2 *	6/2010	Walczak et al.	362/421
D626,094	S *	10/2010	Alexander et al.	D13/179
D627,507	S *	11/2010	Lai et al.	D26/138
D627,727	S *	11/2010	Alexander et al.	D13/134
7,845,393	B2 *	12/2010	Kao et al.	165/80.3
D633,248	S	2/2011	Alexander et al.	

(Continued)

OTHER PUBLICATIONS

U.S. Appl. No. 12/711,175, filed Feb. 23, 2010.

Primary Examiner — Selina Sikder

(74) *Attorney, Agent, or Firm* — Knobbe Martens Olson & Bear, LLP

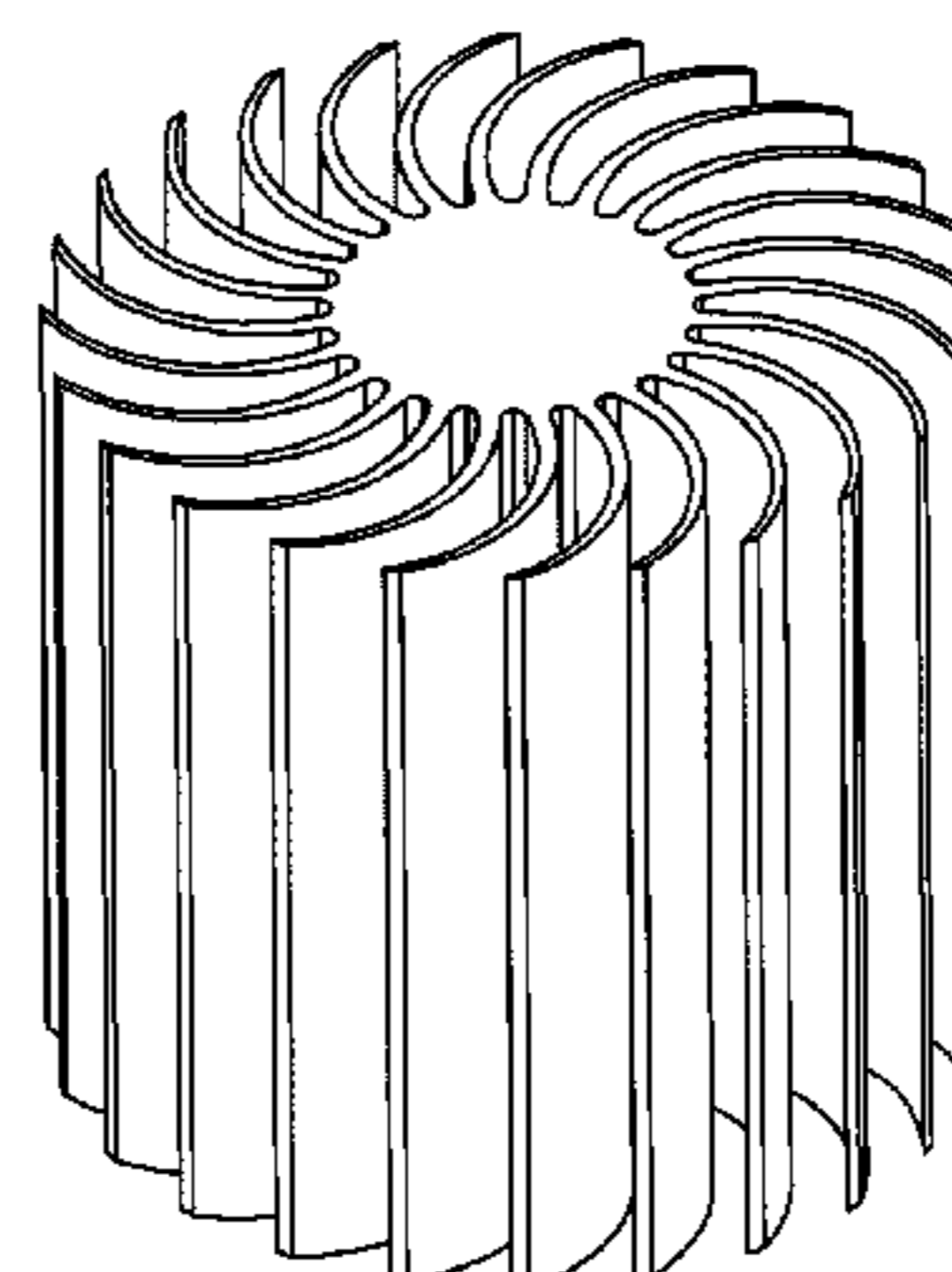
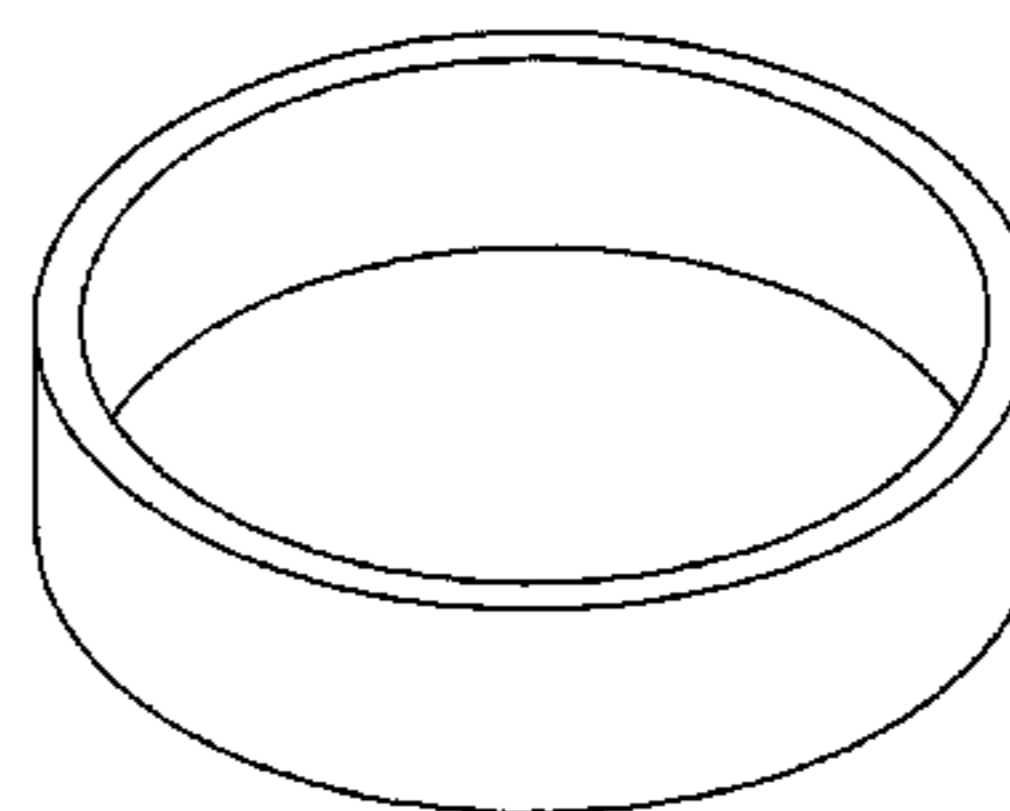
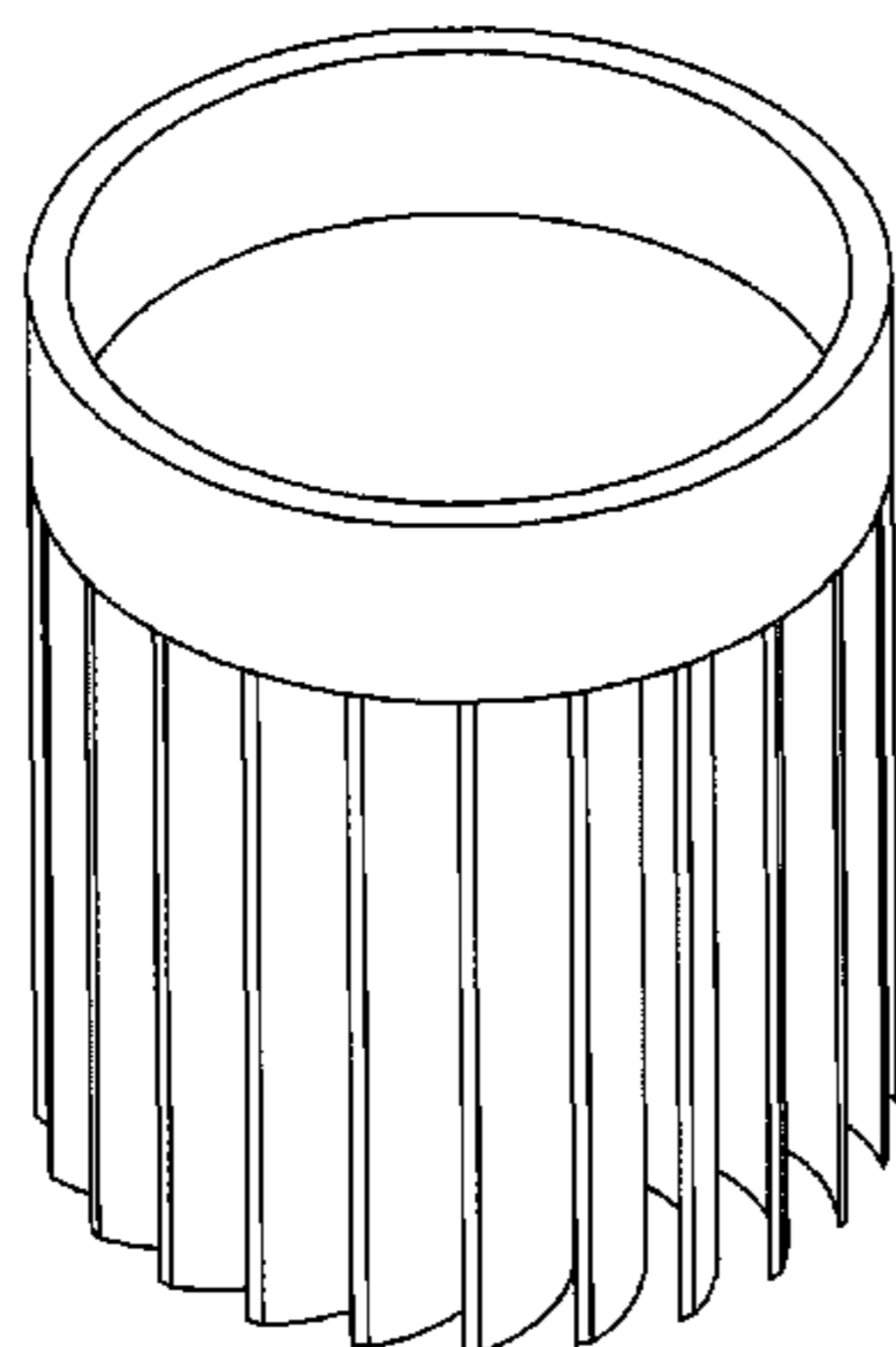
(57) **CLAIM**

The ornamental design for a heat sink and socket for a light fixture, as shown and described.

DESCRIPTION

FIG. 1 is a perspective top view of the heat sink and socket. FIG. 2 is a perspective exploded top view of the heat sink and socket in FIG. 1. FIG. 3 is a top view of the heat sink and socket in FIG. 1. FIG. 4 is a bottom view of the heat sink and socket in FIG. 1. FIG. 5 is a side view of the heat sink and socket in FIG. 1, all other side views being identical. FIG. 6 is a top view of the heat sink in FIG. 2 without the socket; and, FIG. 7 is a bottom view of the socket in FIG. 2 without the heat sink.

1 Claim, 5 Drawing Sheets



US D645,007 S

Page 2

U.S. PATENT DOCUMENTS			
2002/0046826	A1 *	4/2002	Kao 165/104.33
2005/0269060	A1 *	12/2005	Ku et al. 165/80.3
2007/0253202	A1	11/2007	Wu et al.
2007/0279921	A1	12/2007	Alexander et al.
2007/0297177	A1	12/2007	Wang et al.
2008/0142194	A1 *	6/2008	Zhou et al. 165/80.3
2010/0026158	A1	2/2010	Wu
2010/0027258	A1	2/2010	Maxik et al.
2010/0102696	A1	4/2010	Sun

* cited by examiner

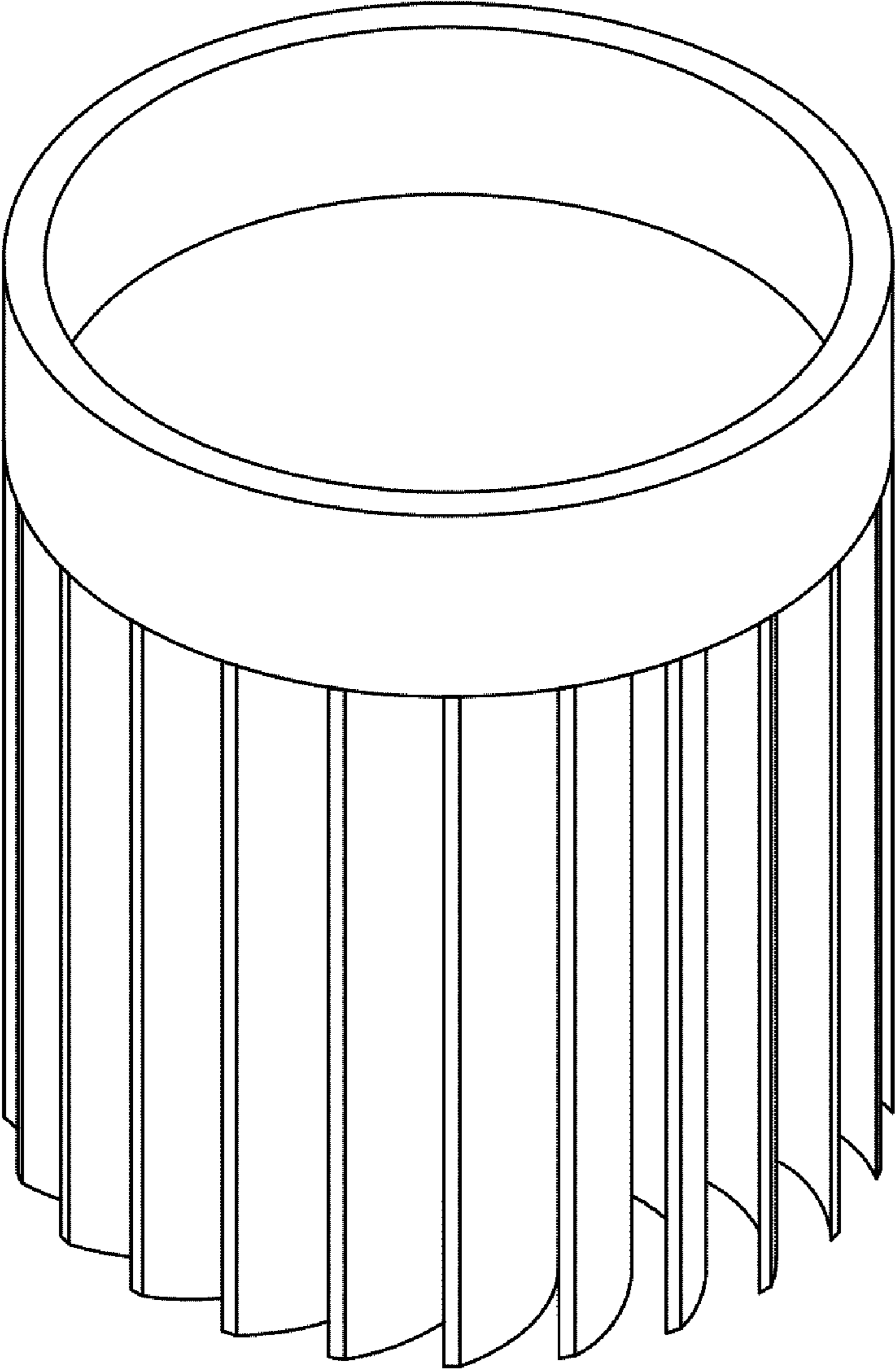


FIG. 1

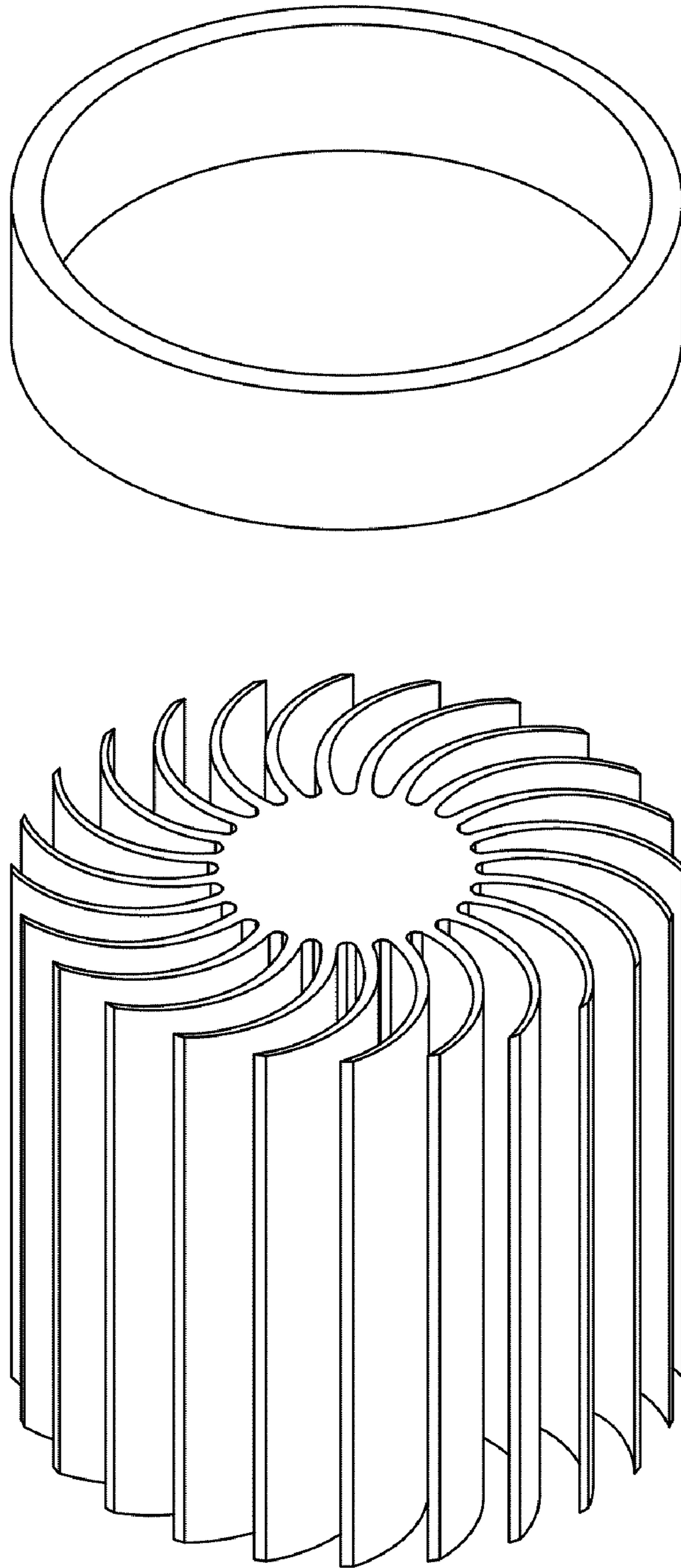


FIG. 2

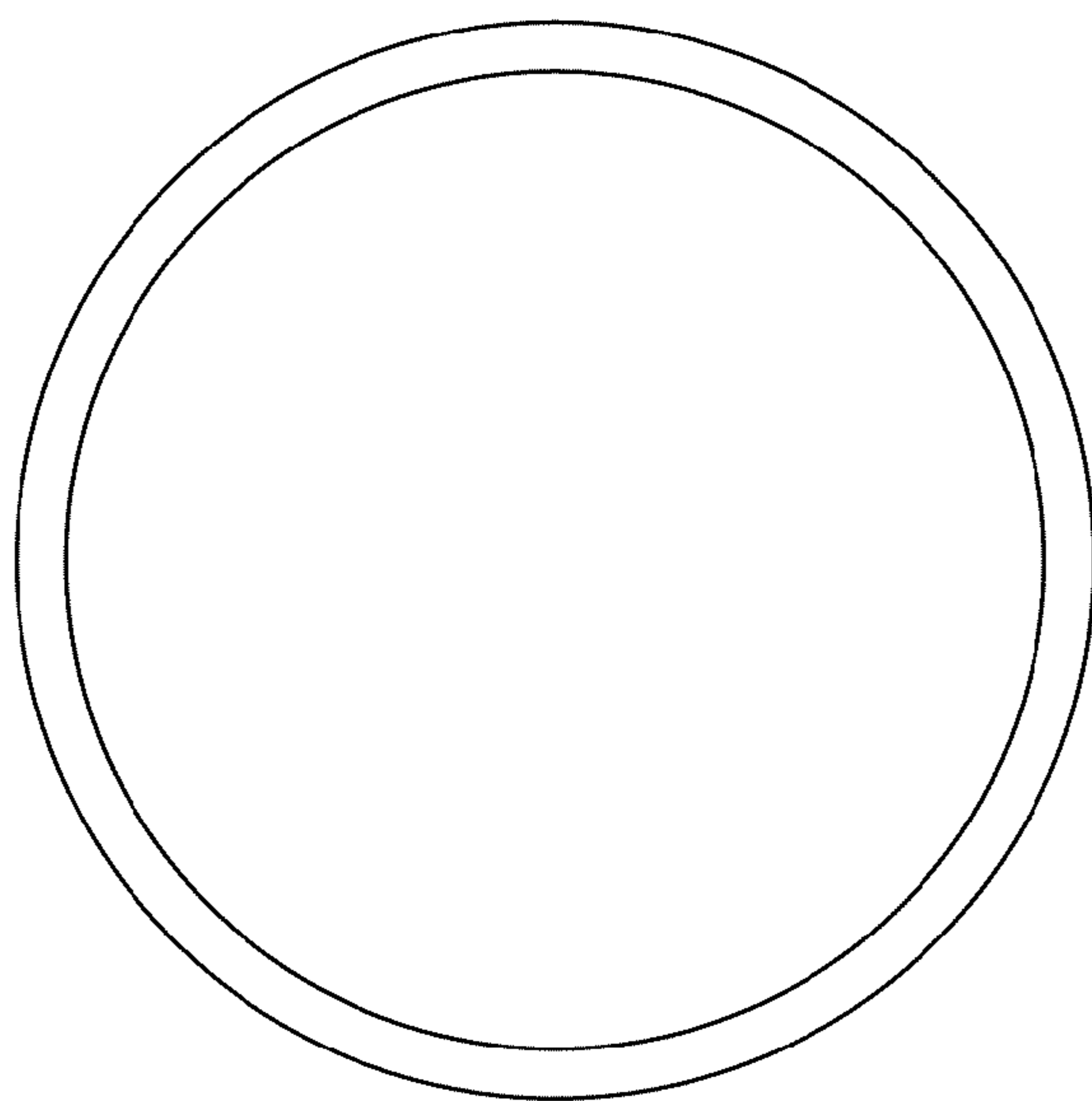


FIG. 3

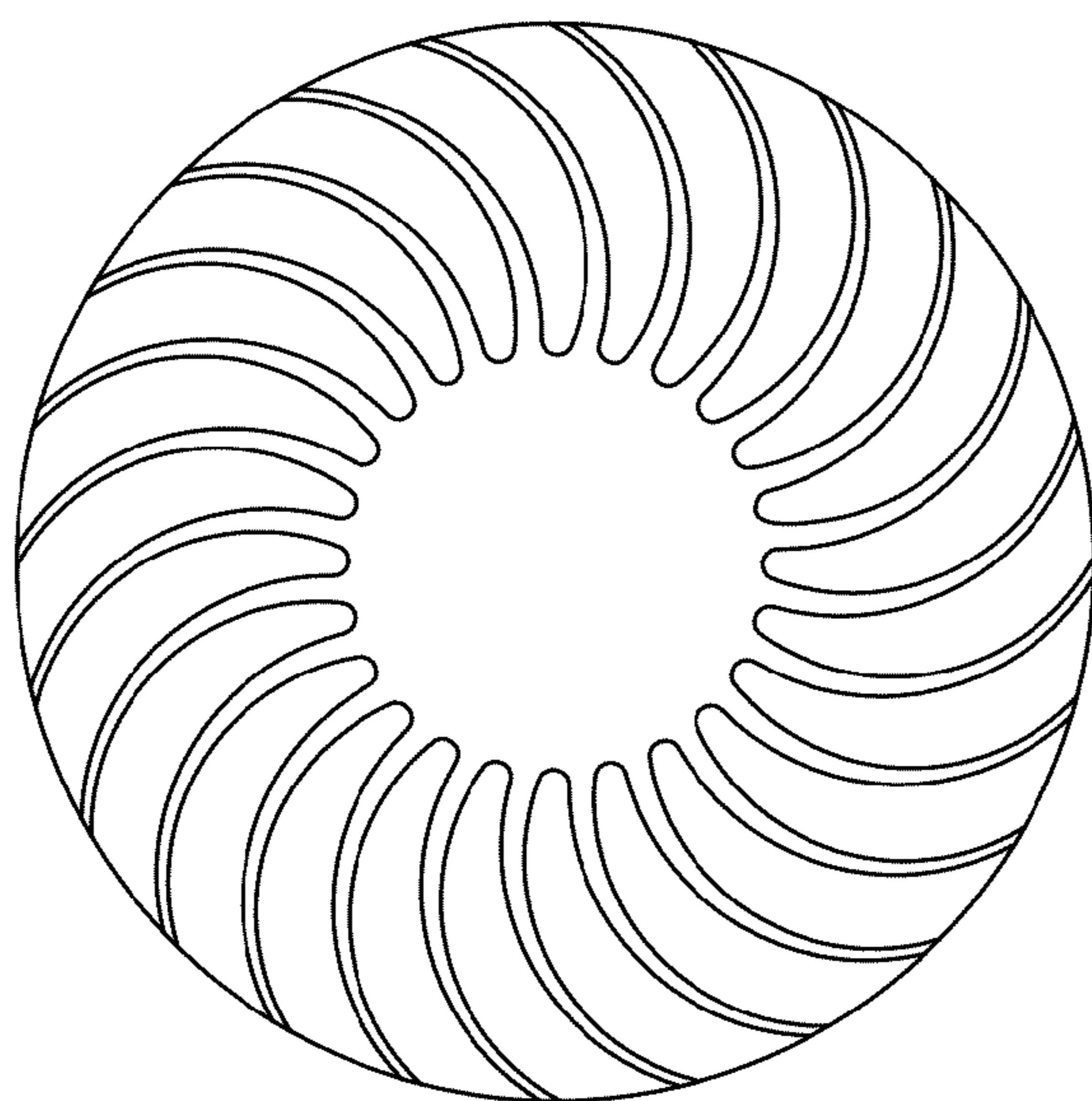


FIG. 4

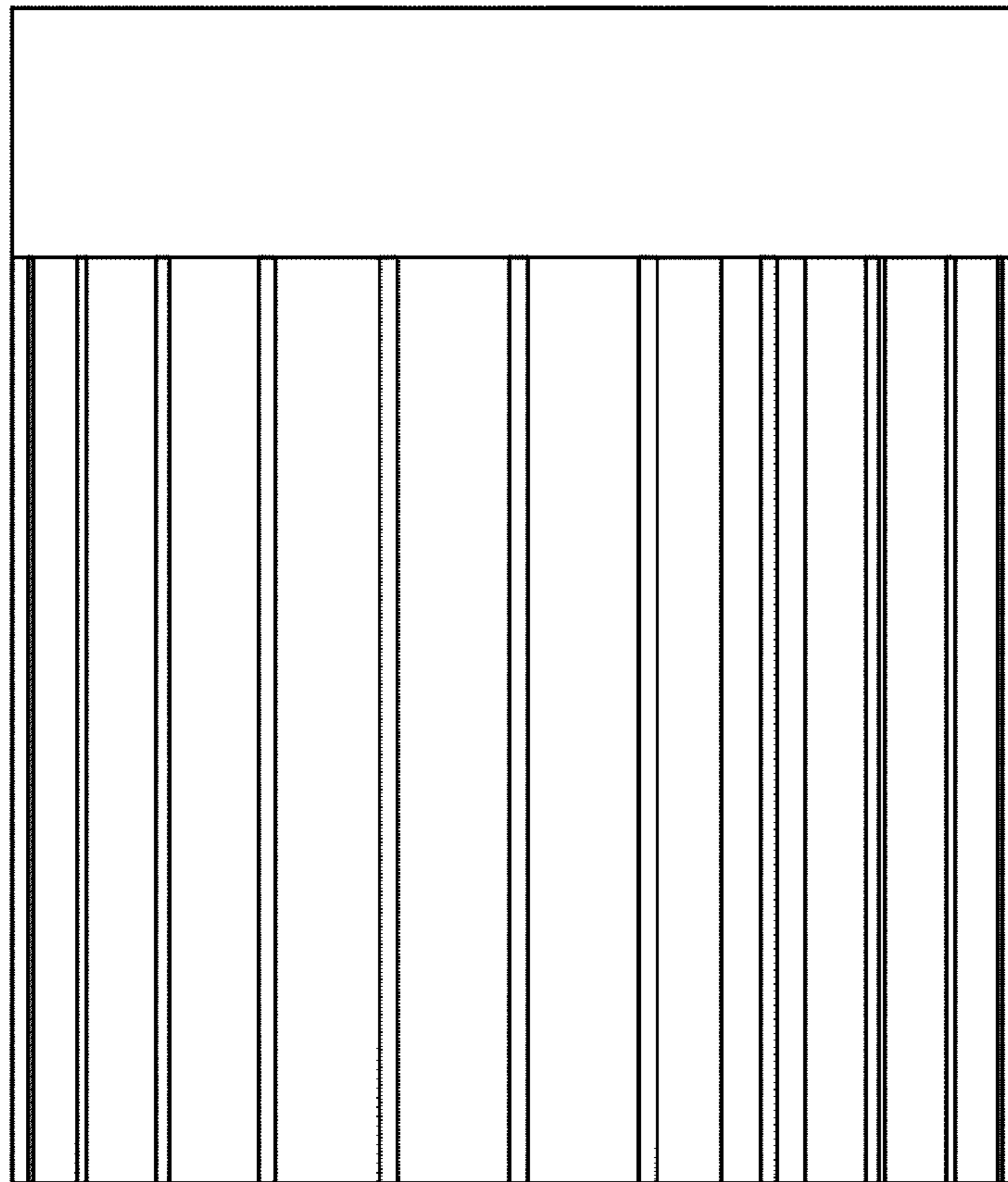


FIG. 5

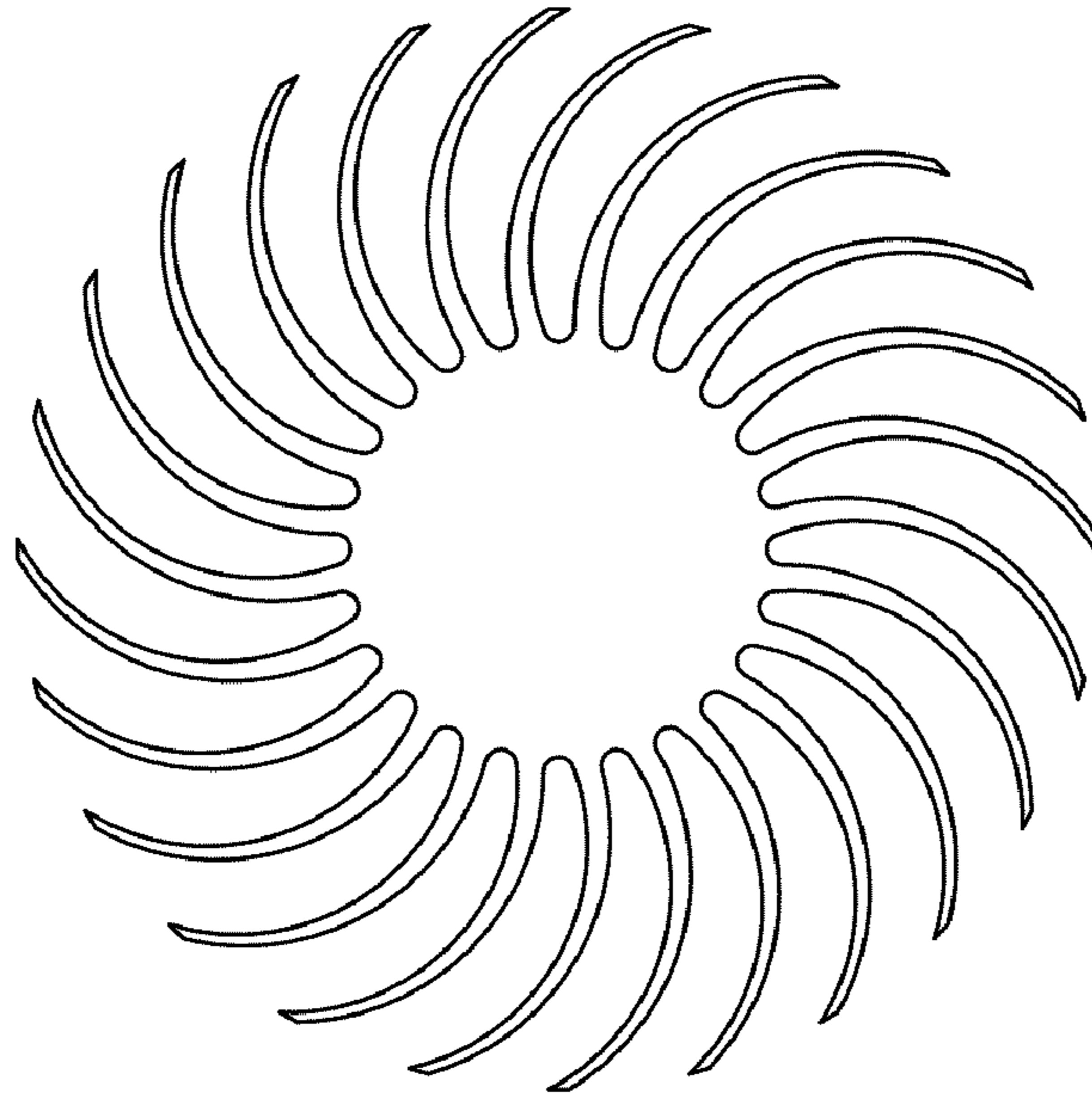


FIG. 6

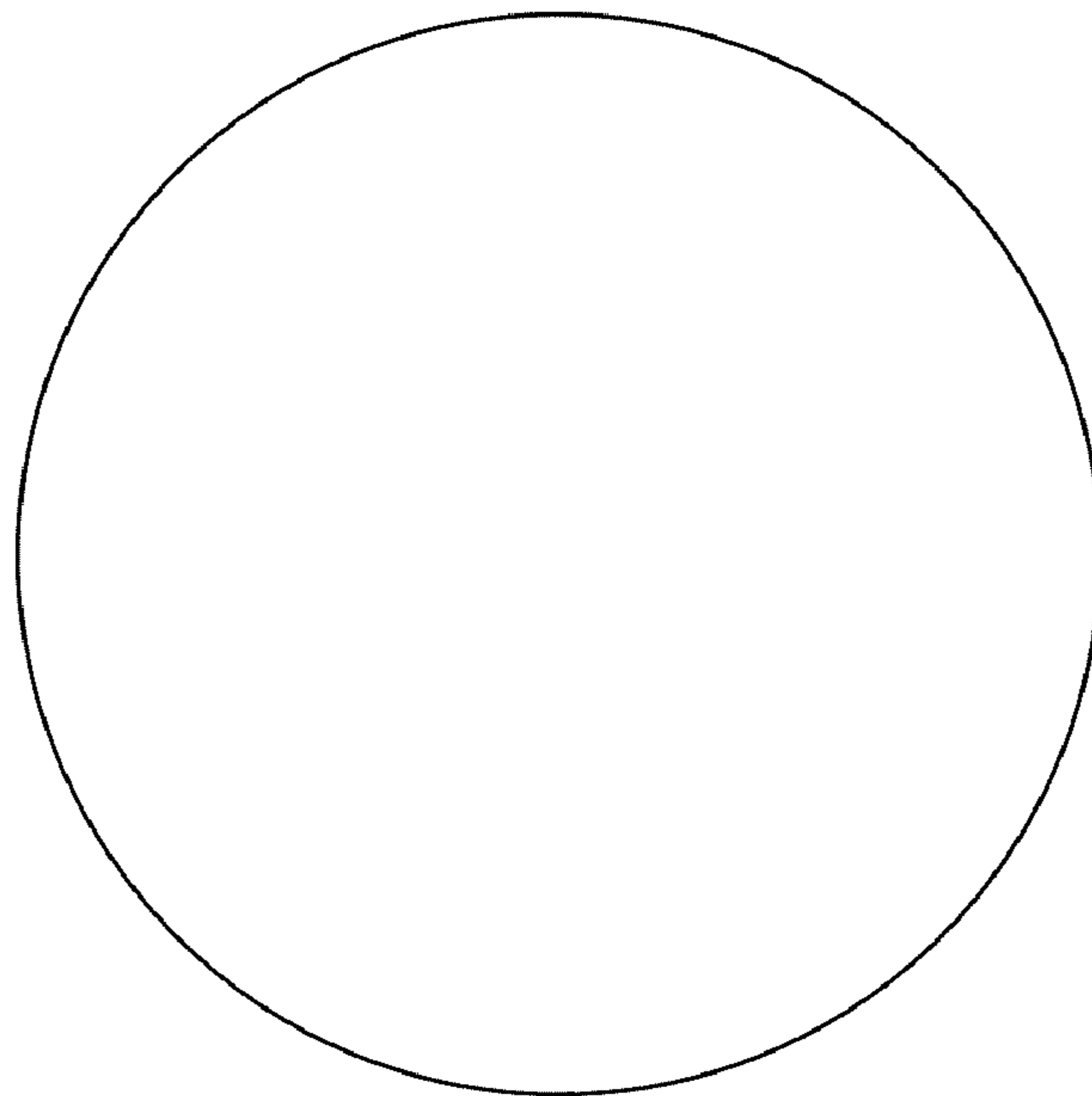


FIG. 7