



US00D645004S

(12) **United States Design Patent**
Menheere

(10) **Patent No.:** **US D645,004 S**

(45) **Date of Patent:** **** Sep. 13, 2011**

(54) **RECTANGULAR PUSH BUTTON**

DESCRIPTION

(75) Inventor: **Maarten P Menheere**, Rotterdam (NL)

(73) Assignee: **Happ Controls, Inc.**, Mount Prospect, IL (US)

(**) Term: **14 Years**

(21) Appl. No.: **29/376,011**

(22) Filed: **Sep. 30, 2010**

(51) **LOC (9) Cl.** **13-03**

(52) **U.S. Cl.** **D13/171**

(58) **Field of Classification Search** D13/171,
D13/174; 200/518, 520, 530, 302.2, 314,
200/315, 341

See application file for complete search history.

(56) **References Cited**

U.S. PATENT DOCUMENTS

470,372	A *	3/1892	Delano	200/302.2
D302,149	S *	7/1989	Ozeki	D13/171
D362,841	S *	10/1995	Roza	D13/171
D432,998	S *	10/2000	Decosse	D13/174
D514,072	S *	1/2006	Martinez	D13/174
7,507,924	B2 *	3/2009	Lorenzo Riera et al.	200/314
7,554,047	B2 *	6/2009	Verdu et al.	200/314
D611,916	S *	3/2010	Wu et al.	D13/171
7,714,243	B2 *	5/2010	Birdwell	200/341
7,804,037	B2 *	9/2010	Cove	200/520
2002/0125119	A1 *	9/2002	Cole et al.	200/341
2008/0000763	A1 *	1/2008	Cove	200/314
2009/0078548	A1 *	3/2009	Singh et al.	200/310
2010/0163386	A1 *	7/2010	Sun	200/341
2010/0206705	A1 *	8/2010	Yamamoto	200/341

* cited by examiner

Primary Examiner — Selina Sikder

(74) *Attorney, Agent, or Firm* — Ladas & Parry LLP

(57) **CLAIM**

The ornamental design for a rectangular push button, as shown and described.

FIG. 1 is a perspective view of the square embodiment of the rectangular push button, which is the subject of the present design;

FIG. 2 is a bottom plan view thereof;

FIG. 3 is a left side elevational view thereof, the right side elevational view being a mirror image thereof;

FIG. 4 is a front elevational view thereof, the rear elevational view being a mirror image thereof;

FIG. 5 is a top plan view thereof;

FIG. 6 is a perspective view of the large square embodiment of the rectangular push button, which is the subject of the present design;

FIG. 7 is a bottom plan view thereof;

FIG. 8 is a left side elevational view thereof, the right side elevational view being a mirror image thereof;

FIG. 9 is a front elevational view thereof, the rear elevational view being a mirror image thereof;

FIG. 10 is a top plan view thereof;

FIG. 11 is a perspective view of the rectangular embodiment of the rectangular push button, which is the subject of the present design;

FIG. 12 is a bottom plan view thereof;

FIG. 13 is a left side elevational view thereof, the right side elevational view being a mirror image thereof;

FIG. 14 is a front elevational view thereof, the rear elevational view being a mirror image thereof;

FIG. 15 is a top plan view thereof;

FIG. 16 is a perspective view of the large rectangular embodiment of the rectangular push button, which is the subject of the present design;

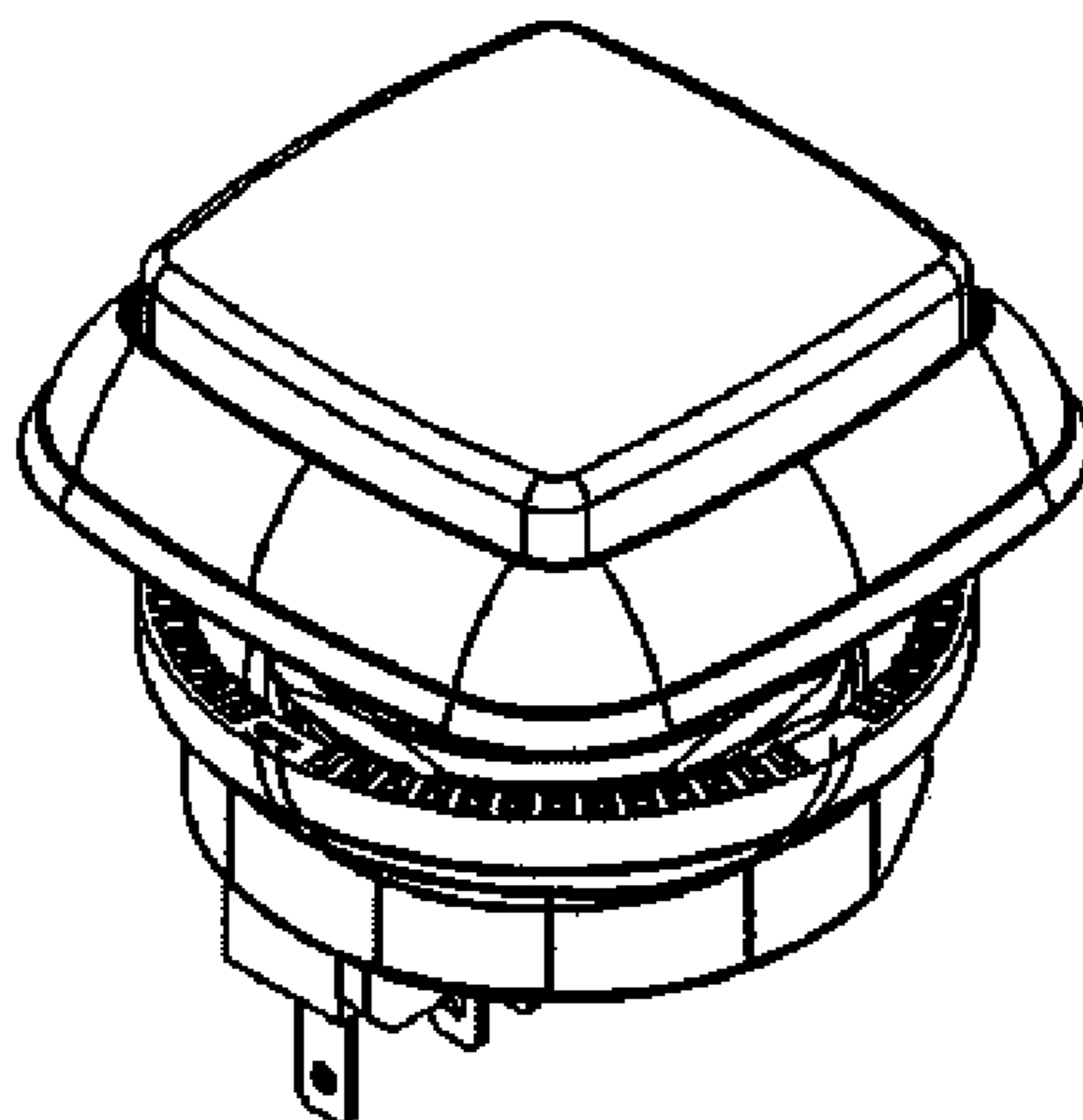
FIG. 17 is a bottom plan view thereof;

FIG. 18 is a left side elevational view thereof, the right side elevational view being a mirror image thereof;

FIG. 19 is a front elevational view thereof, the rear elevational view being a mirror image thereof; and,

FIG. 20 is a top plan view thereof.

1 Claim, 4 Drawing Sheets



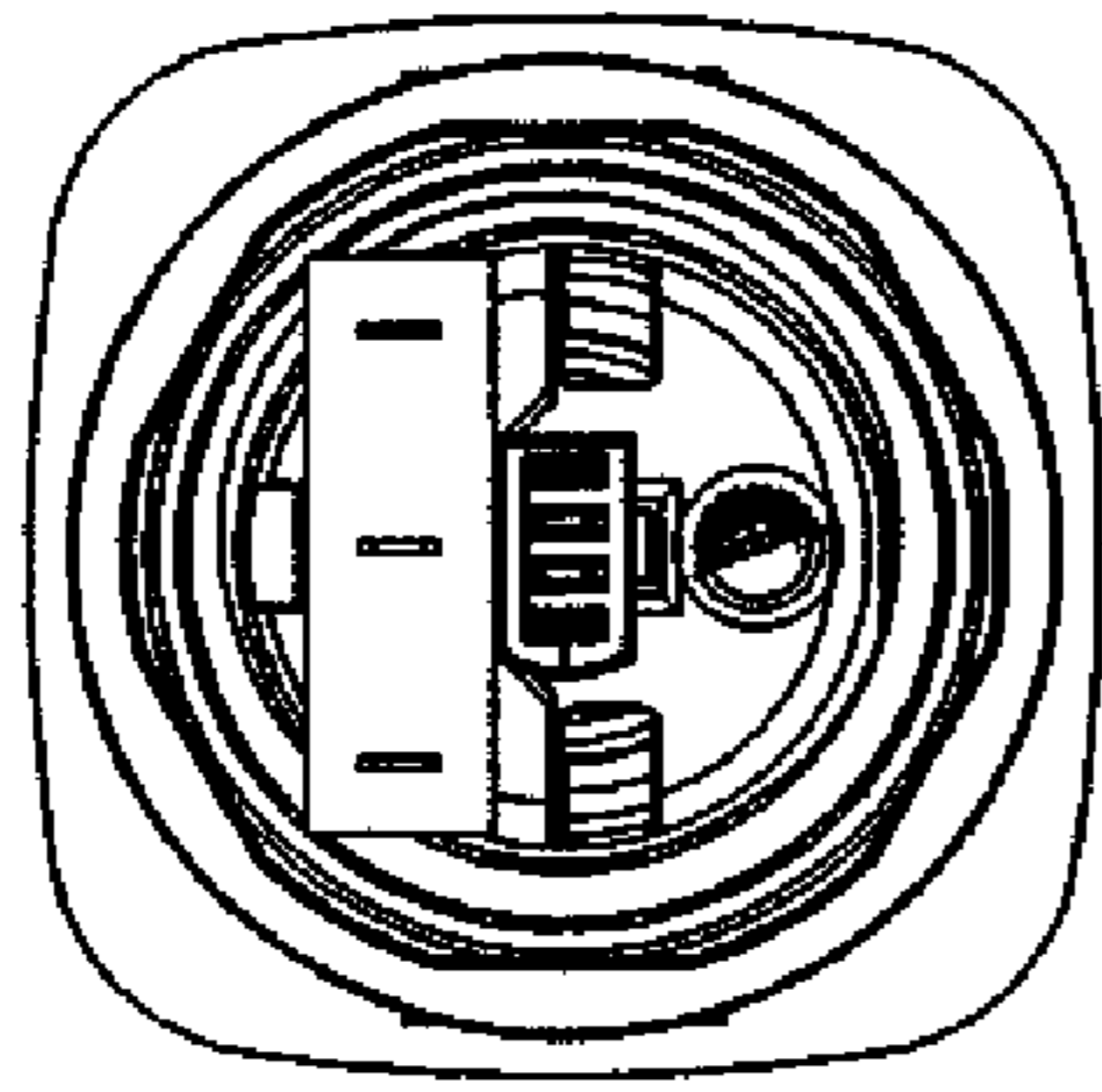


Fig. 2

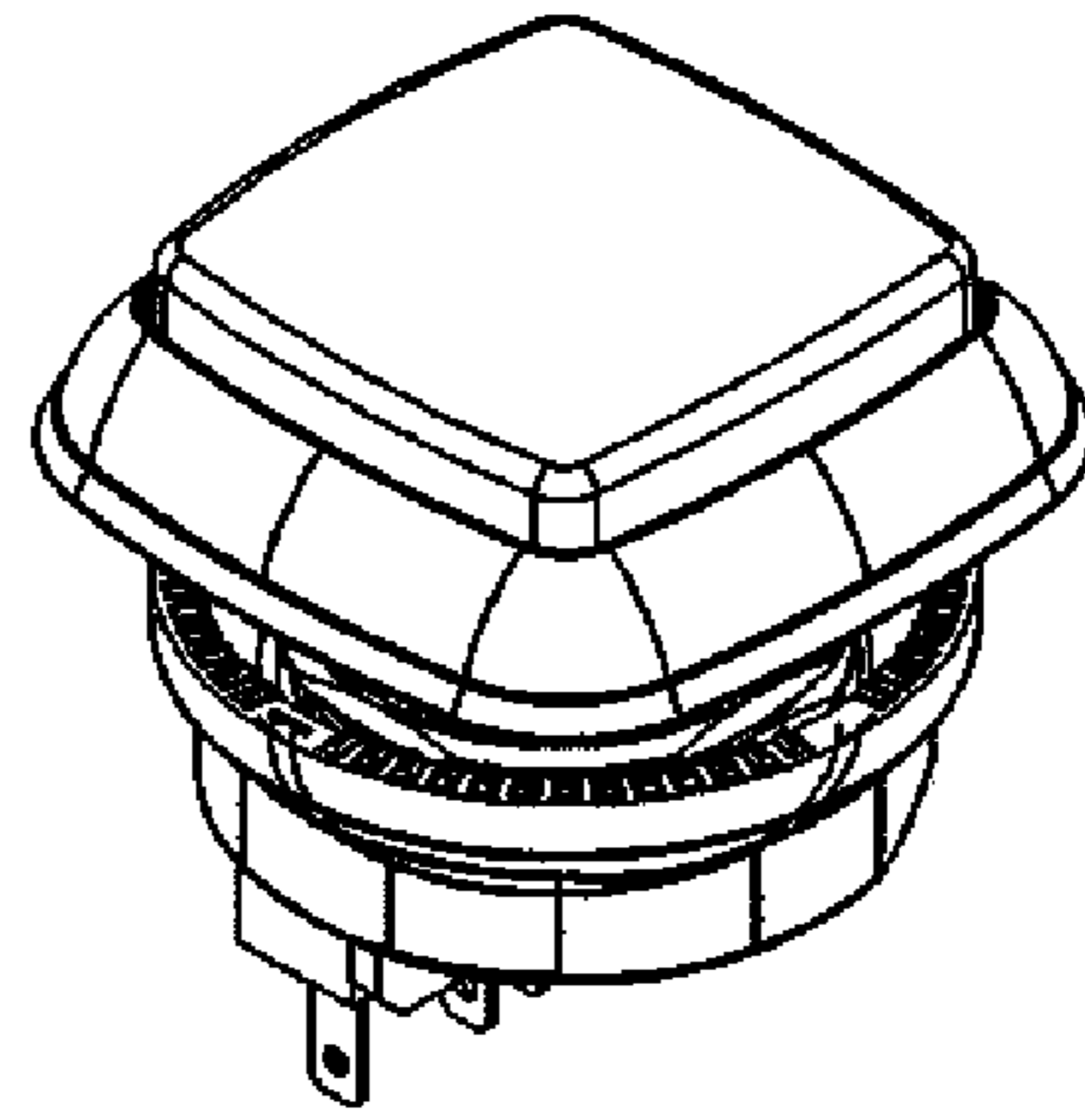


Fig. 1

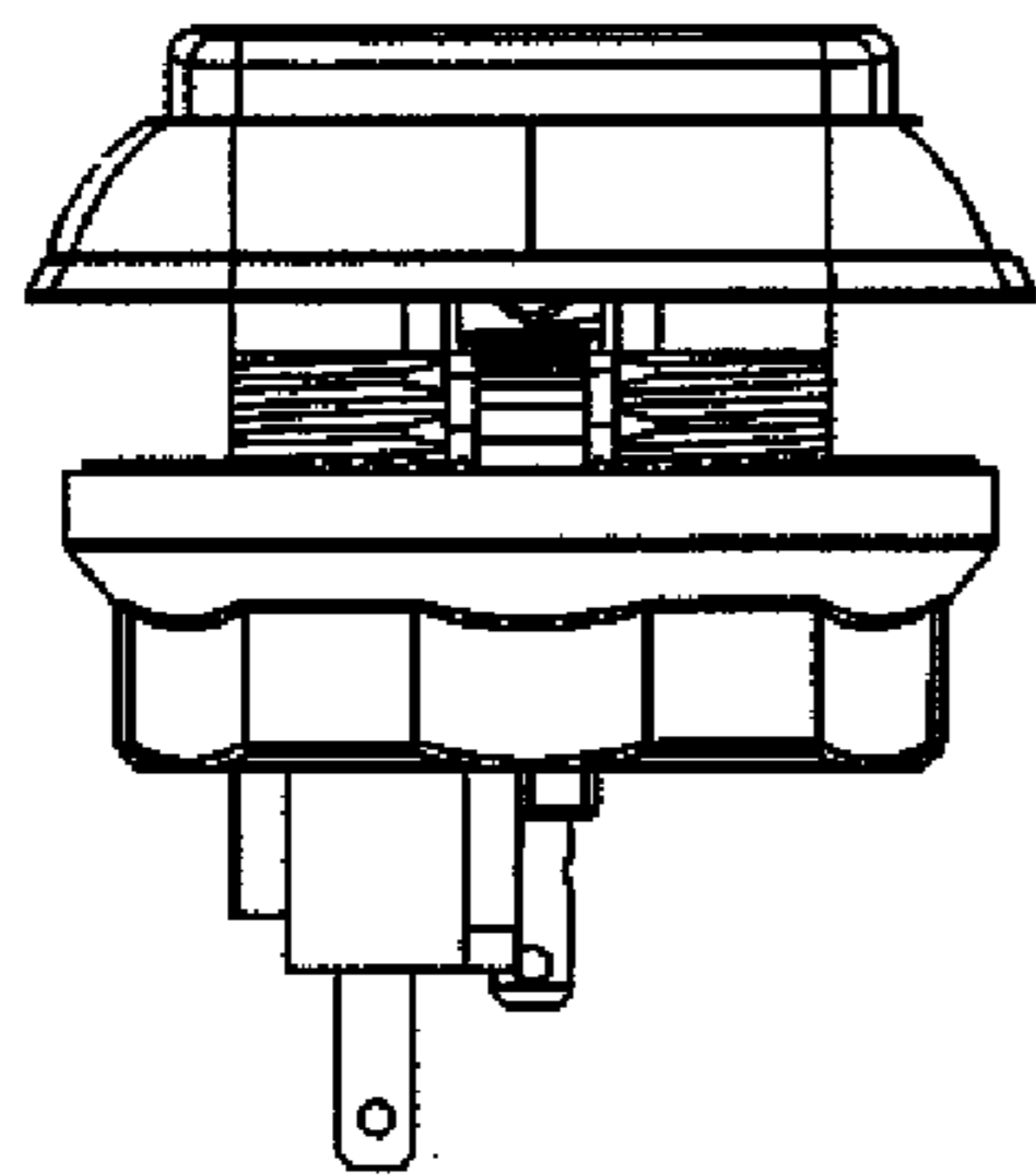


Fig. 3

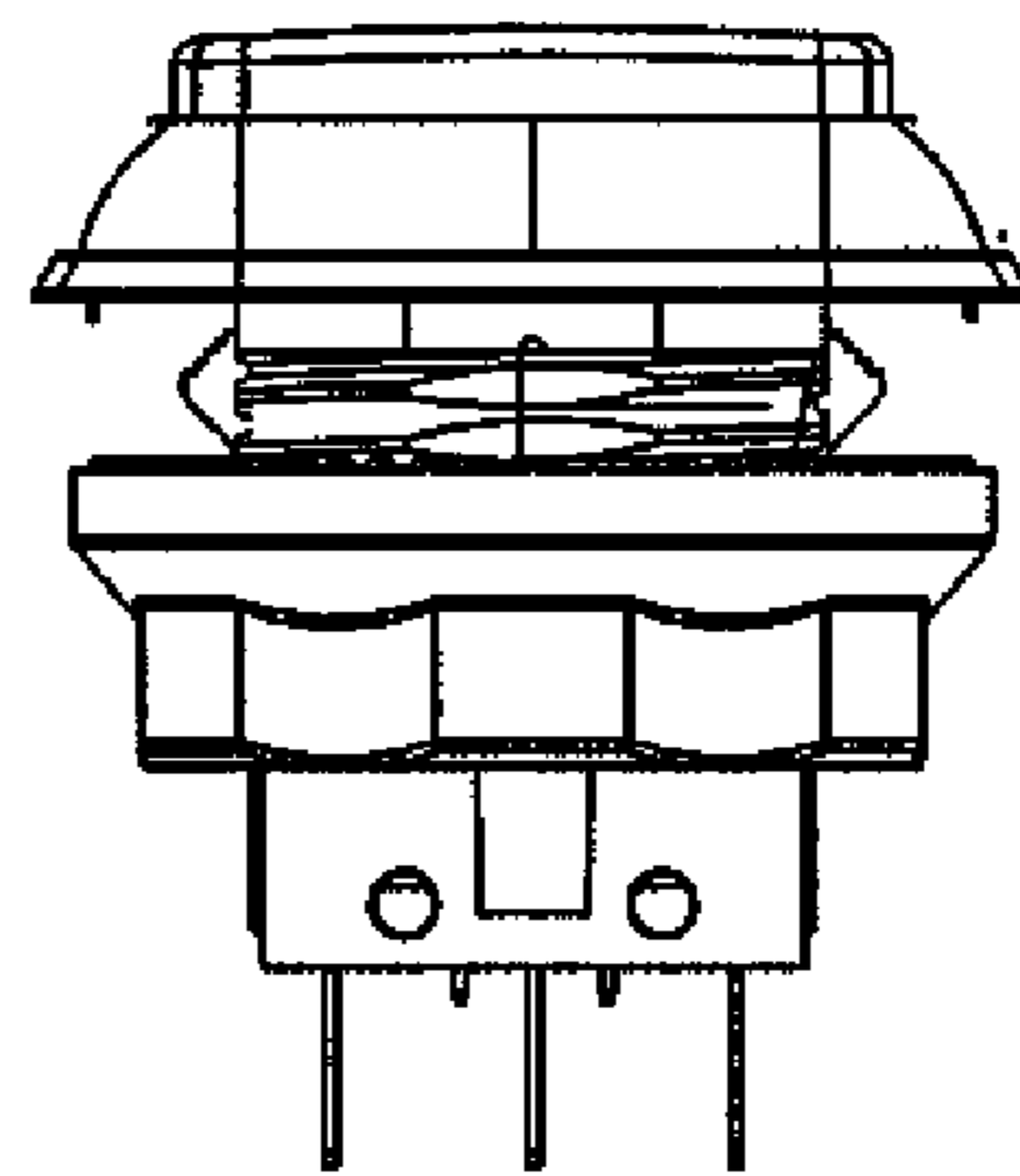


Fig. 4

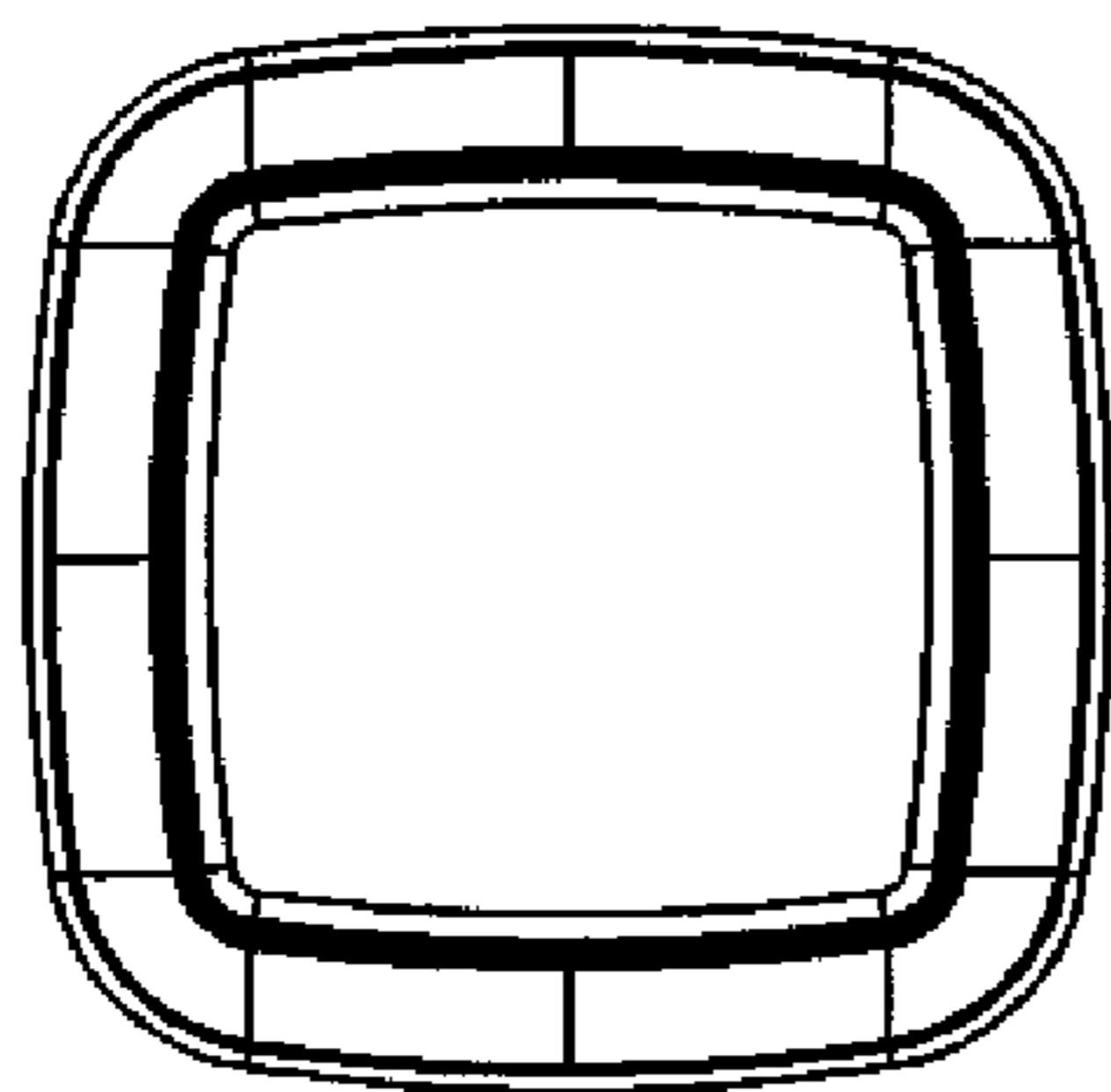


Fig. 5

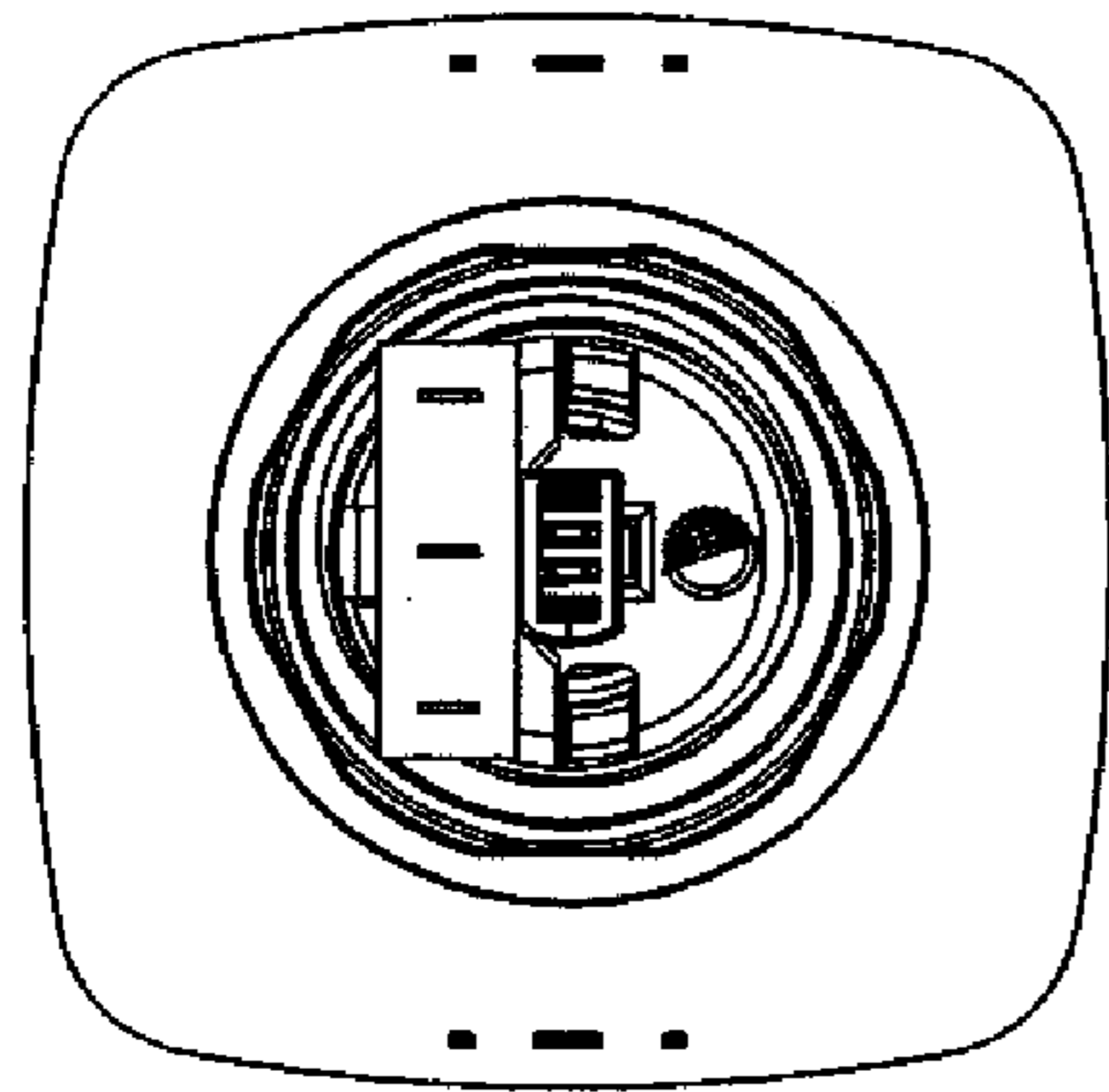


Fig. 7

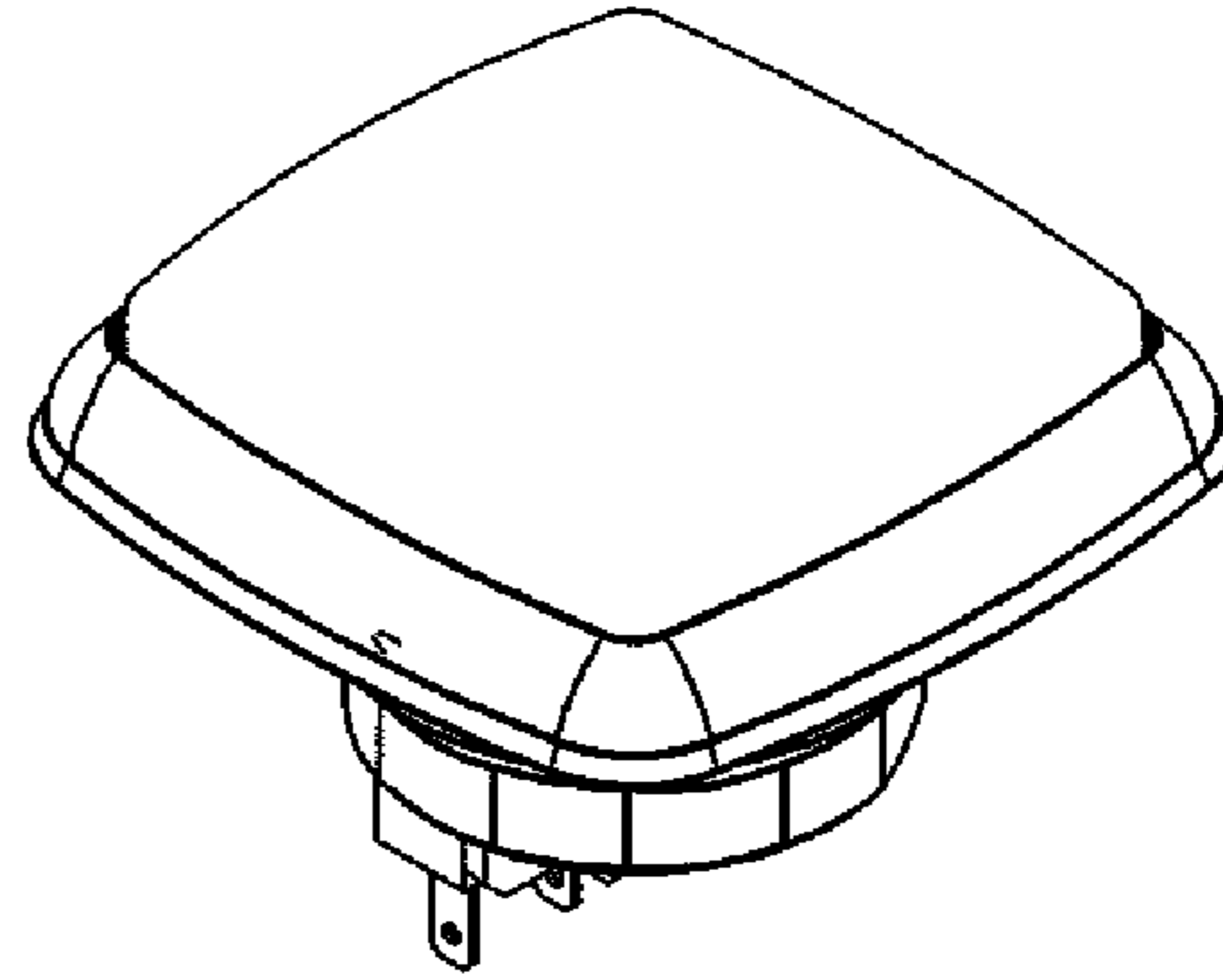


Fig. 6

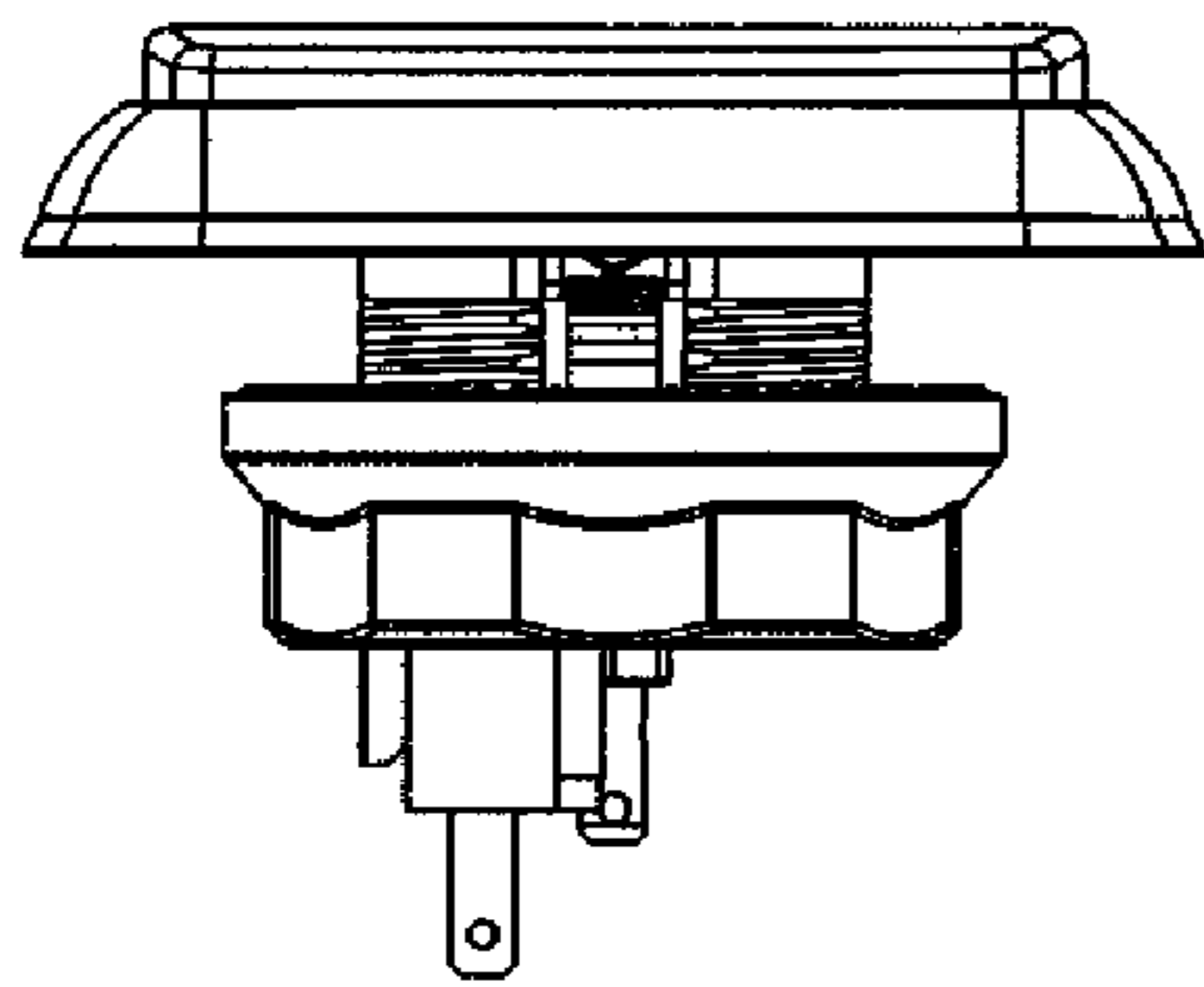


Fig. 8

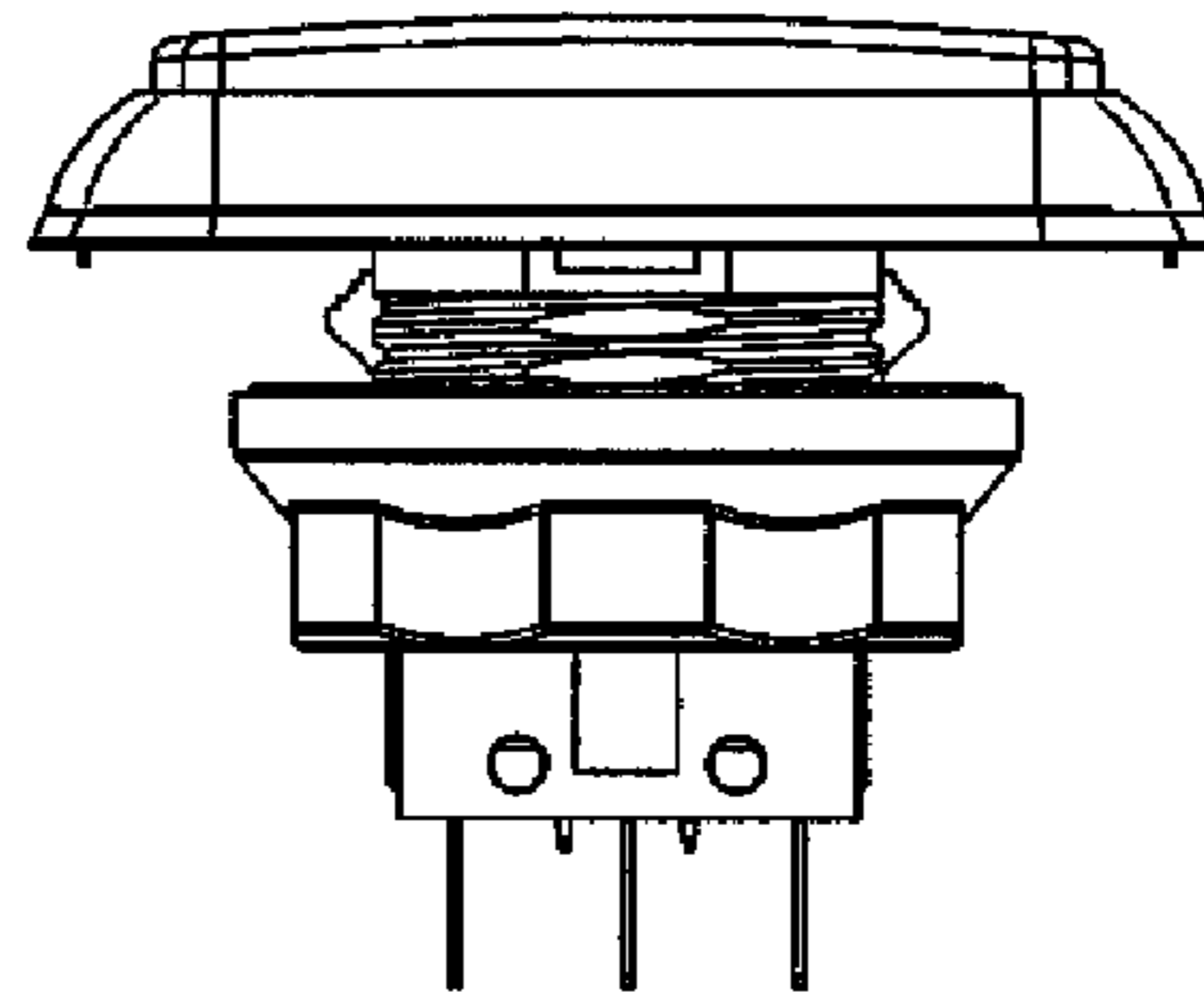


Fig. 9

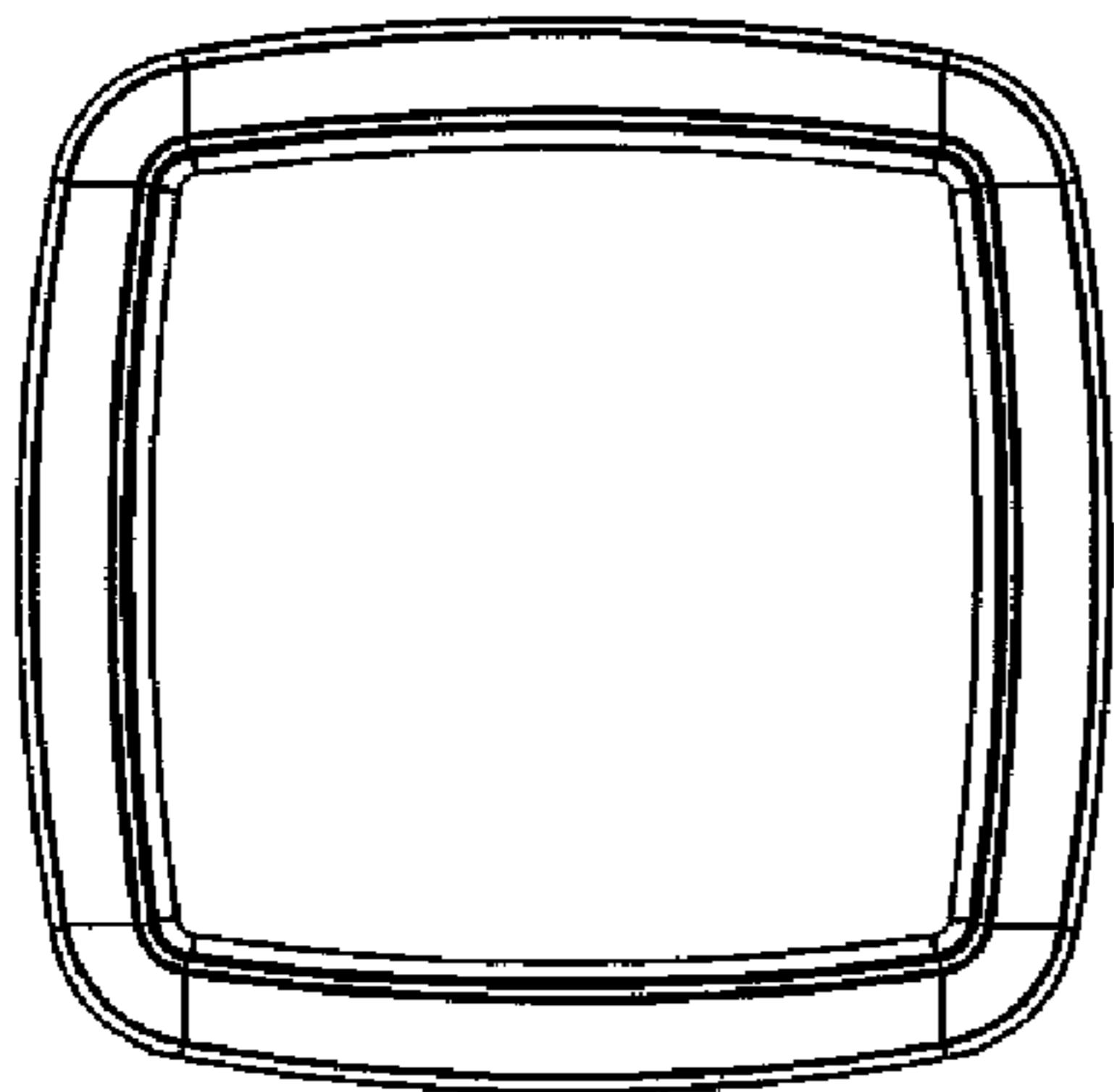


Fig. 10

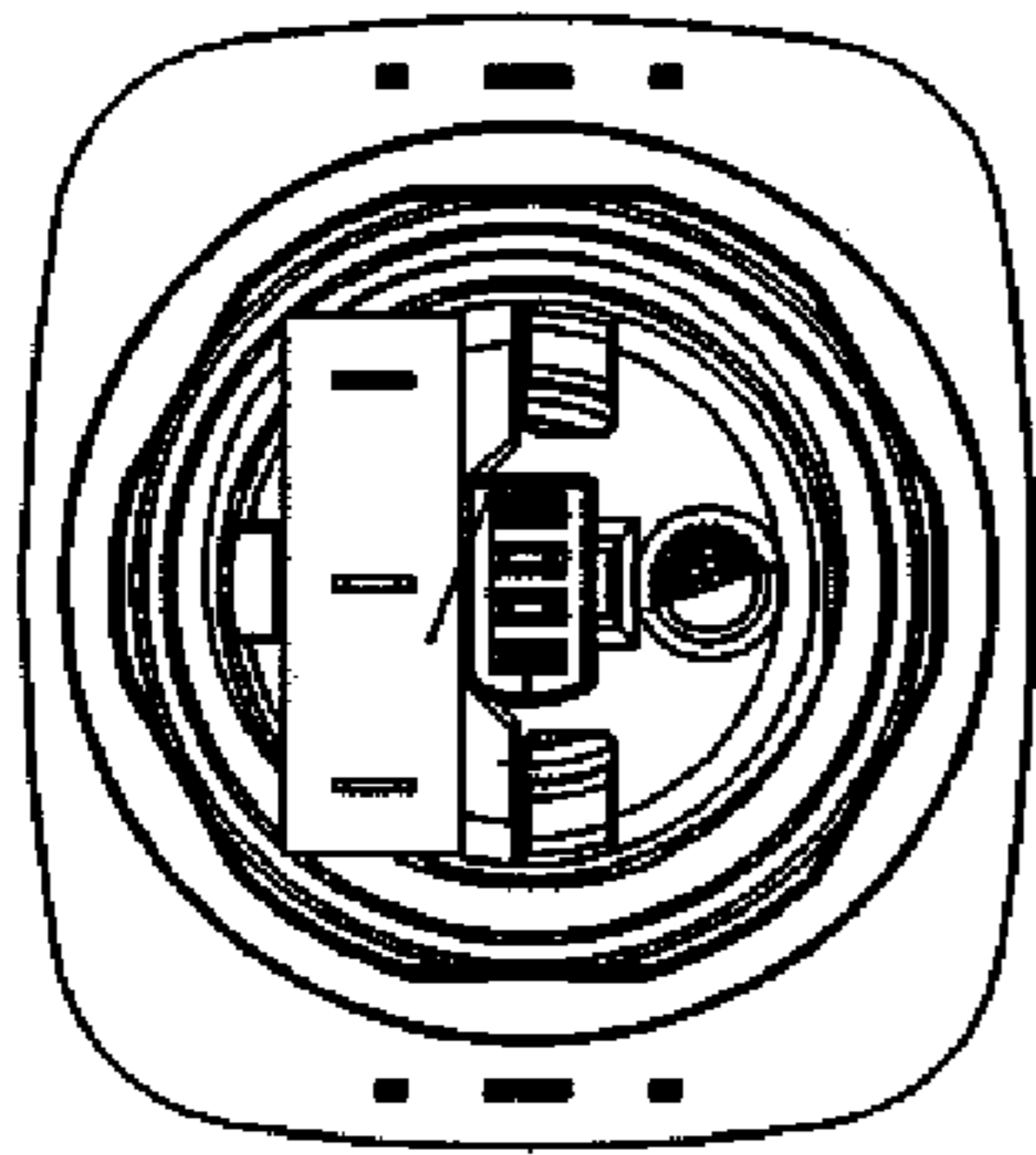


Fig. 12

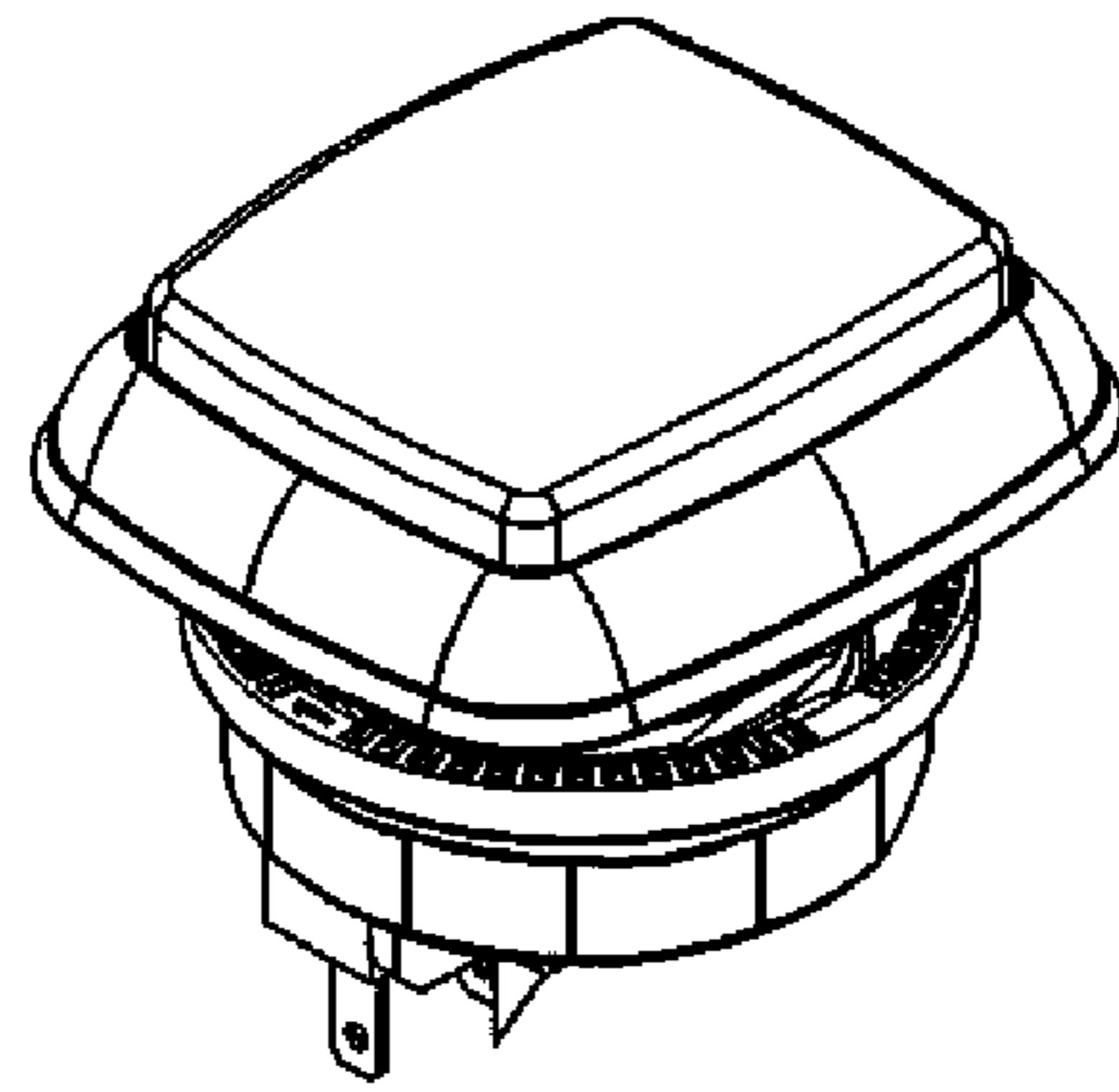


Fig. 11

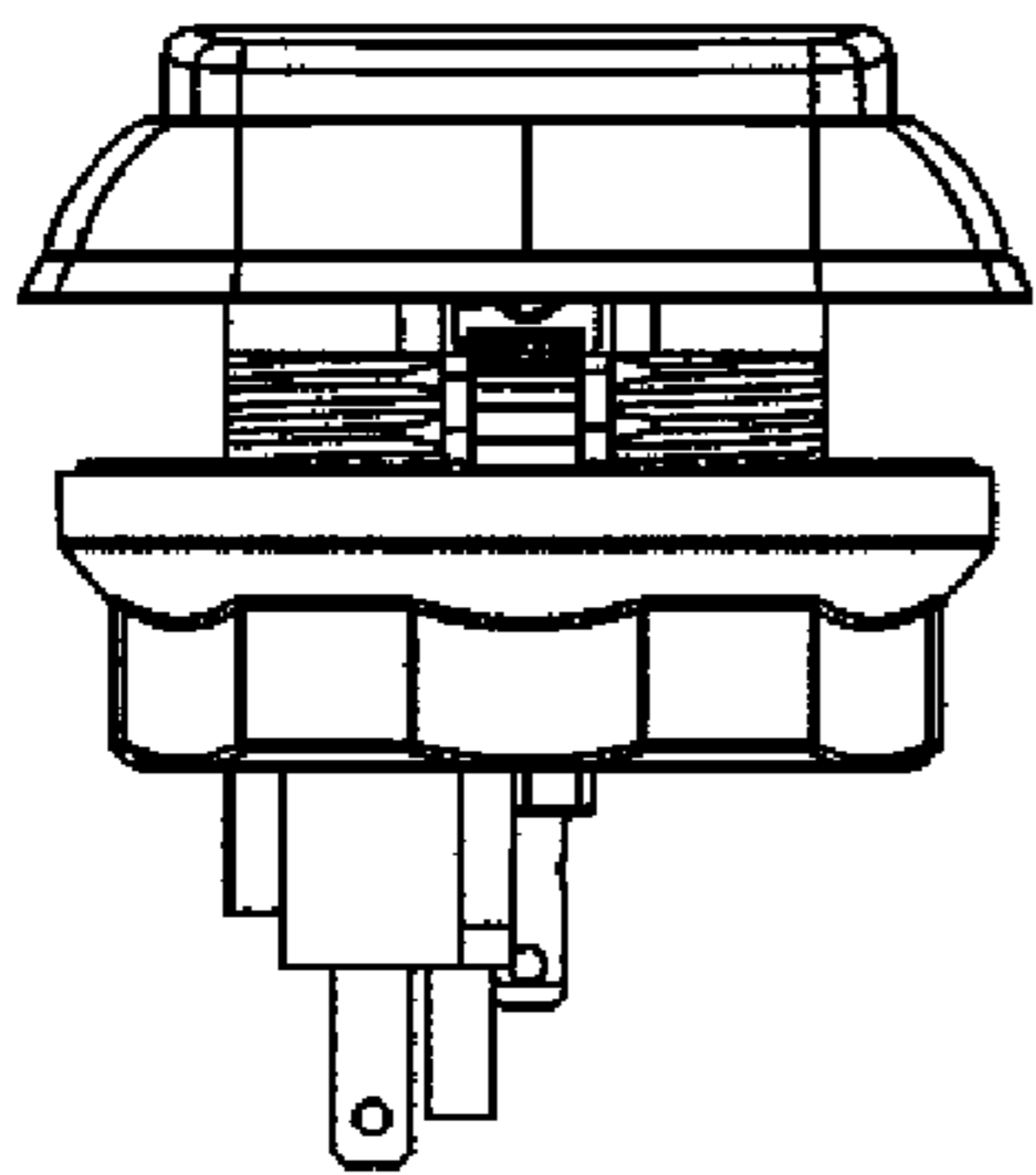


Fig. 13

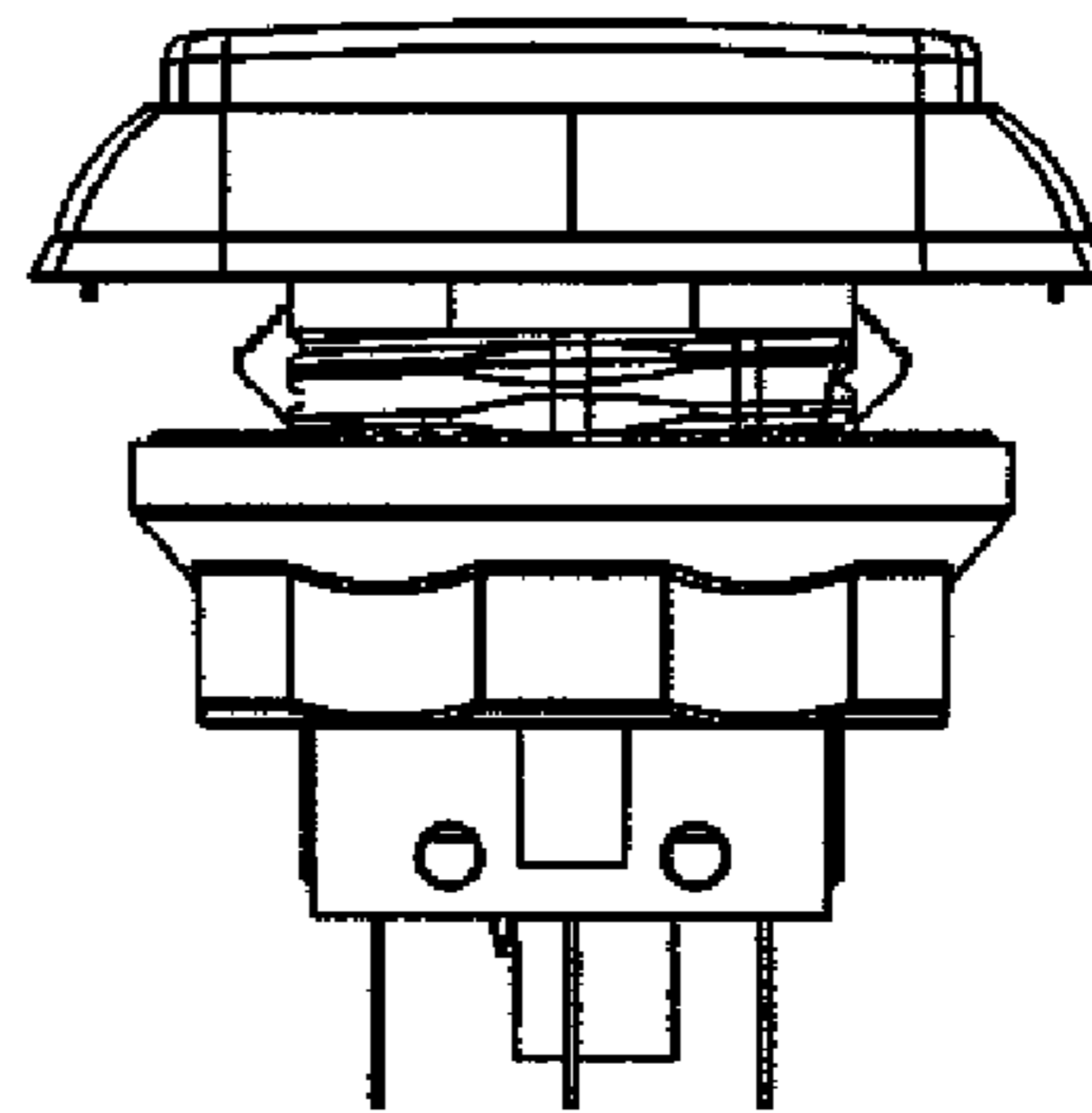


Fig. 14

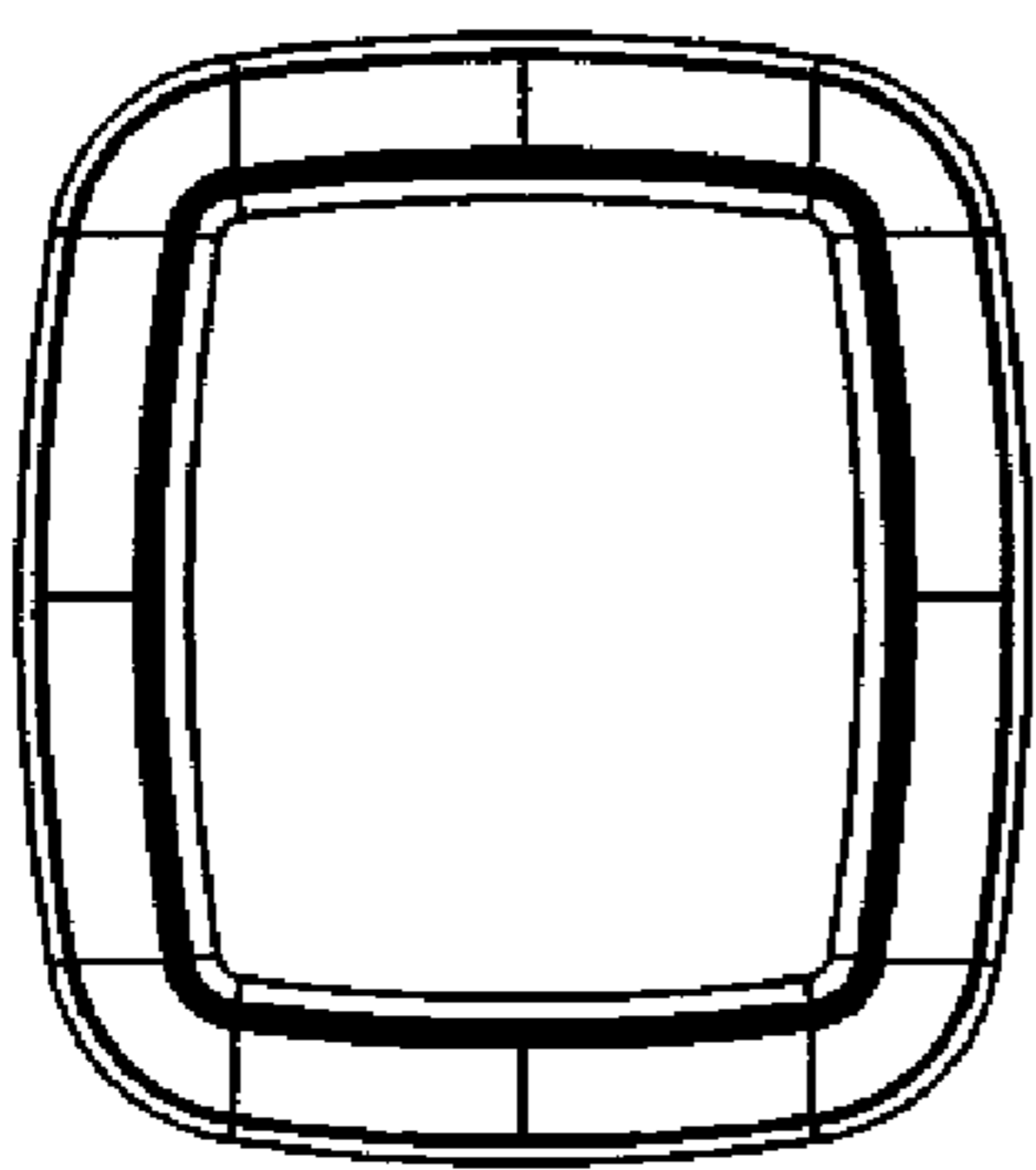


Fig. 15

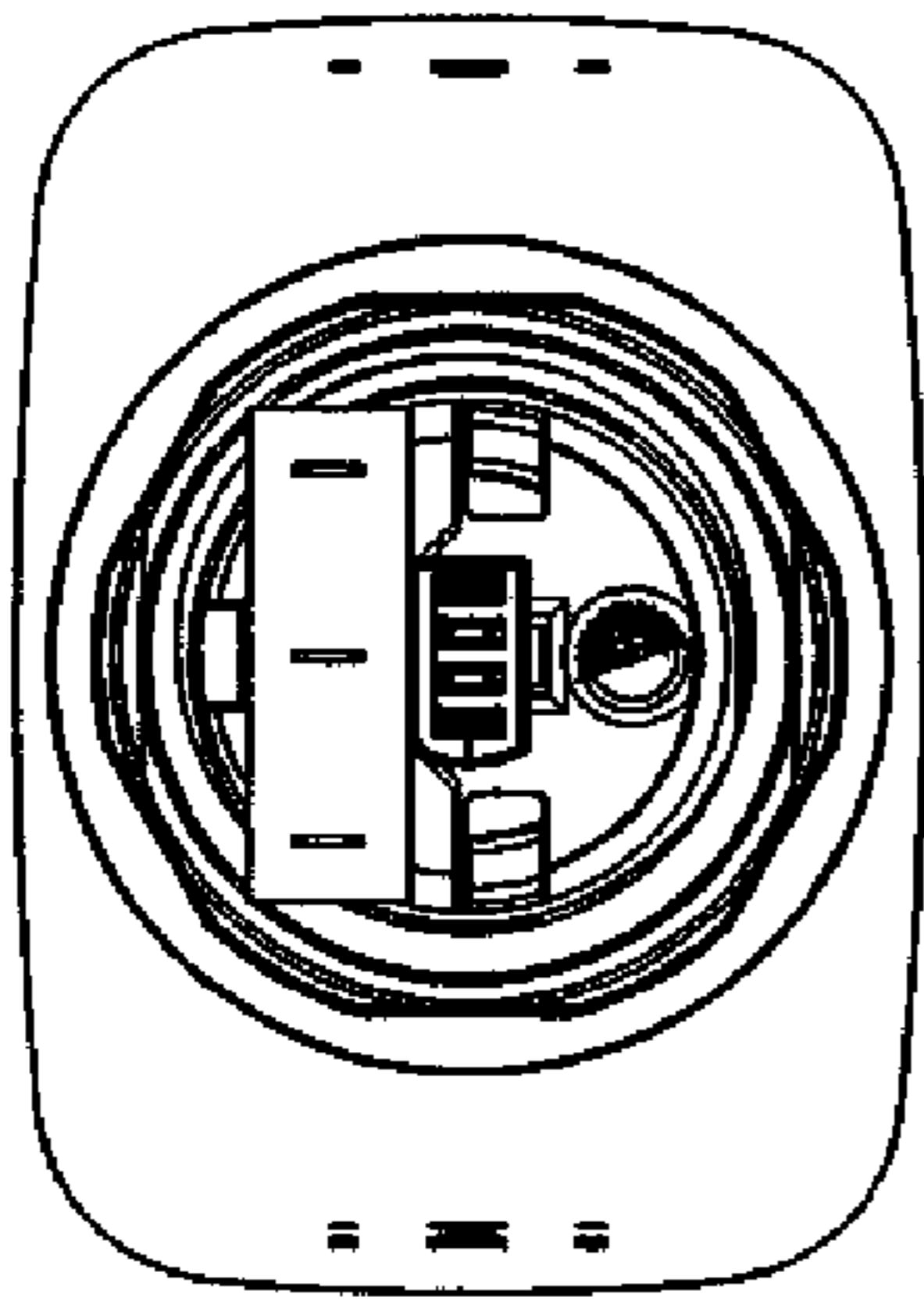


Fig. 17

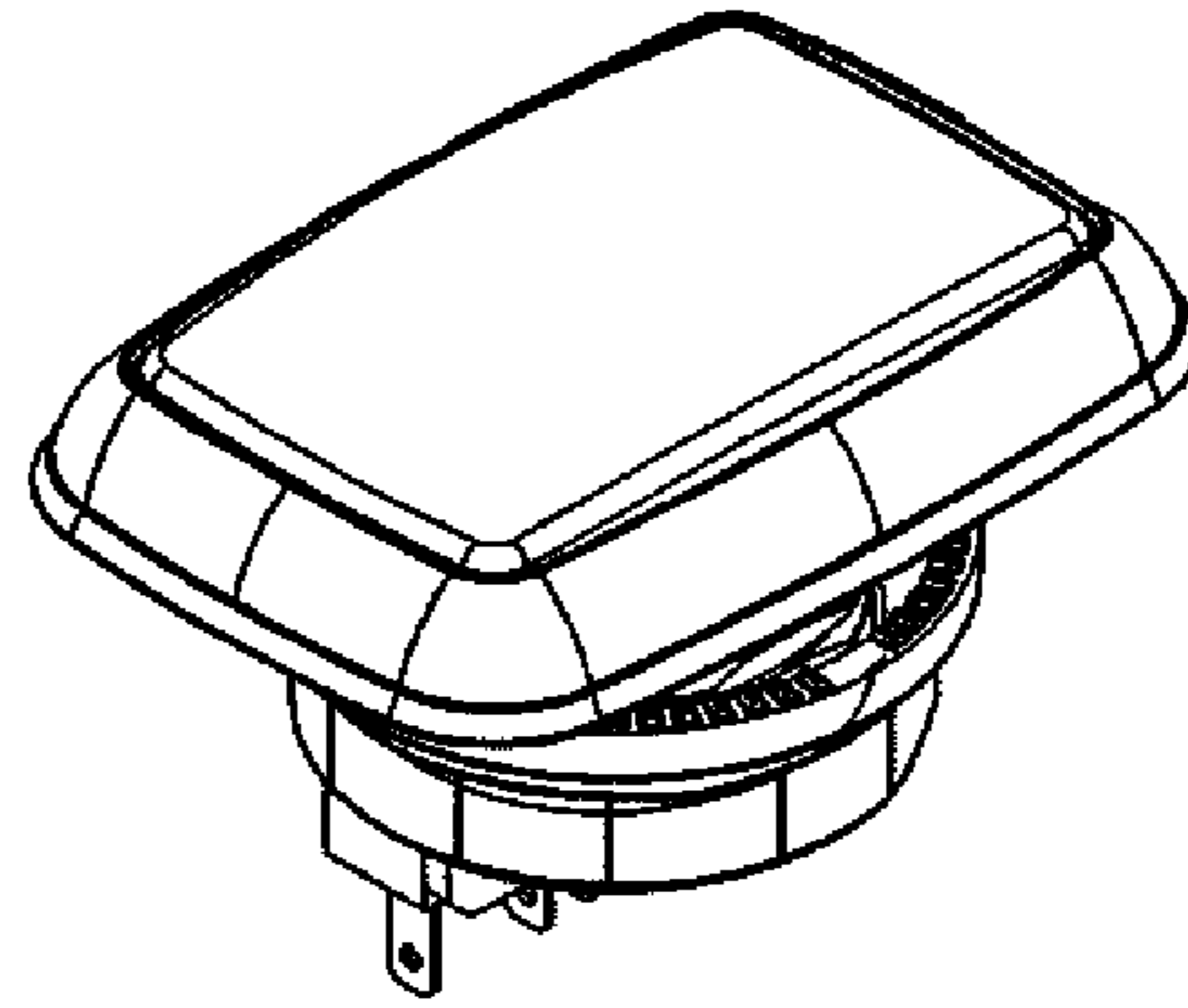


Fig. 16

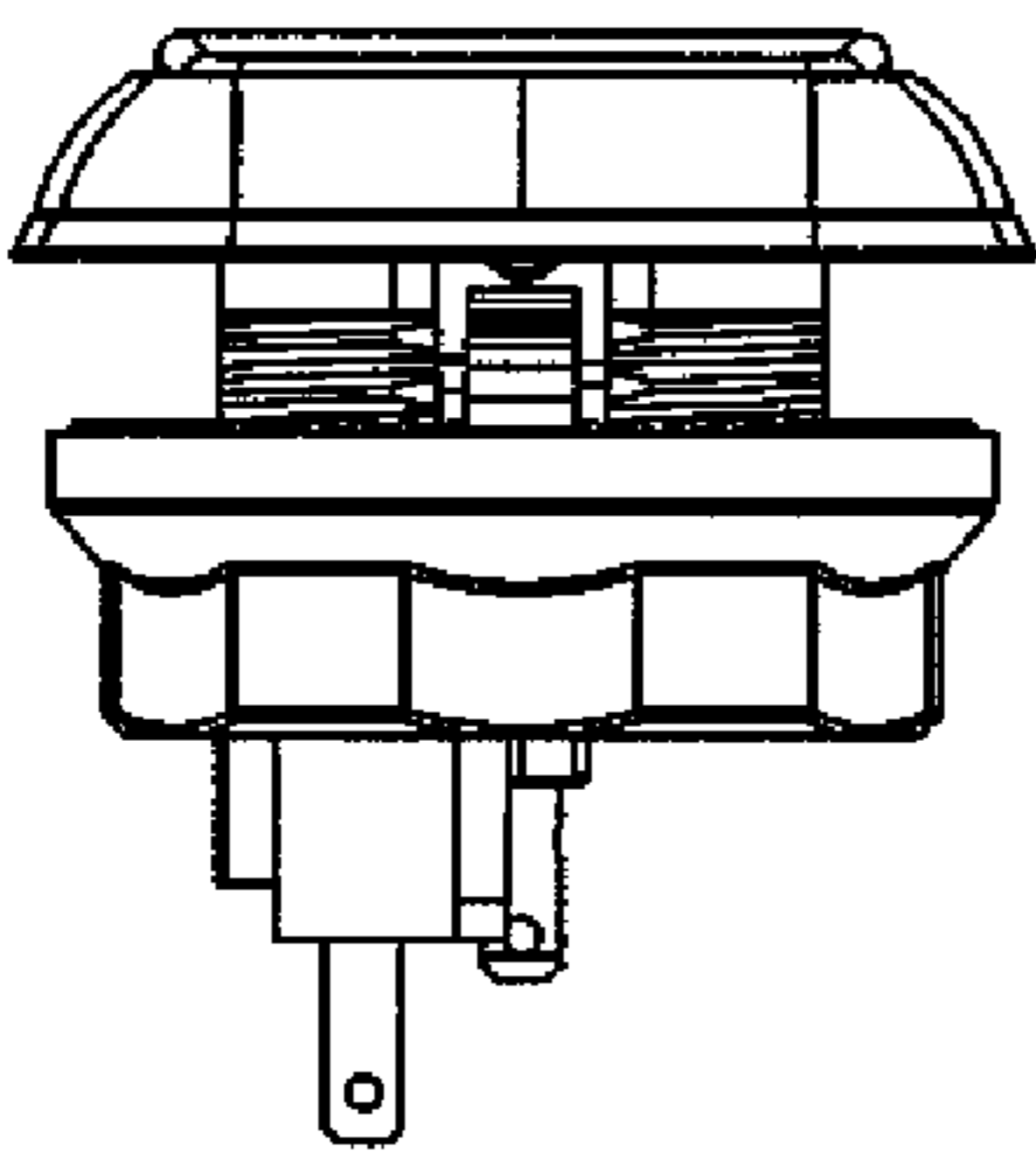


Fig. 18

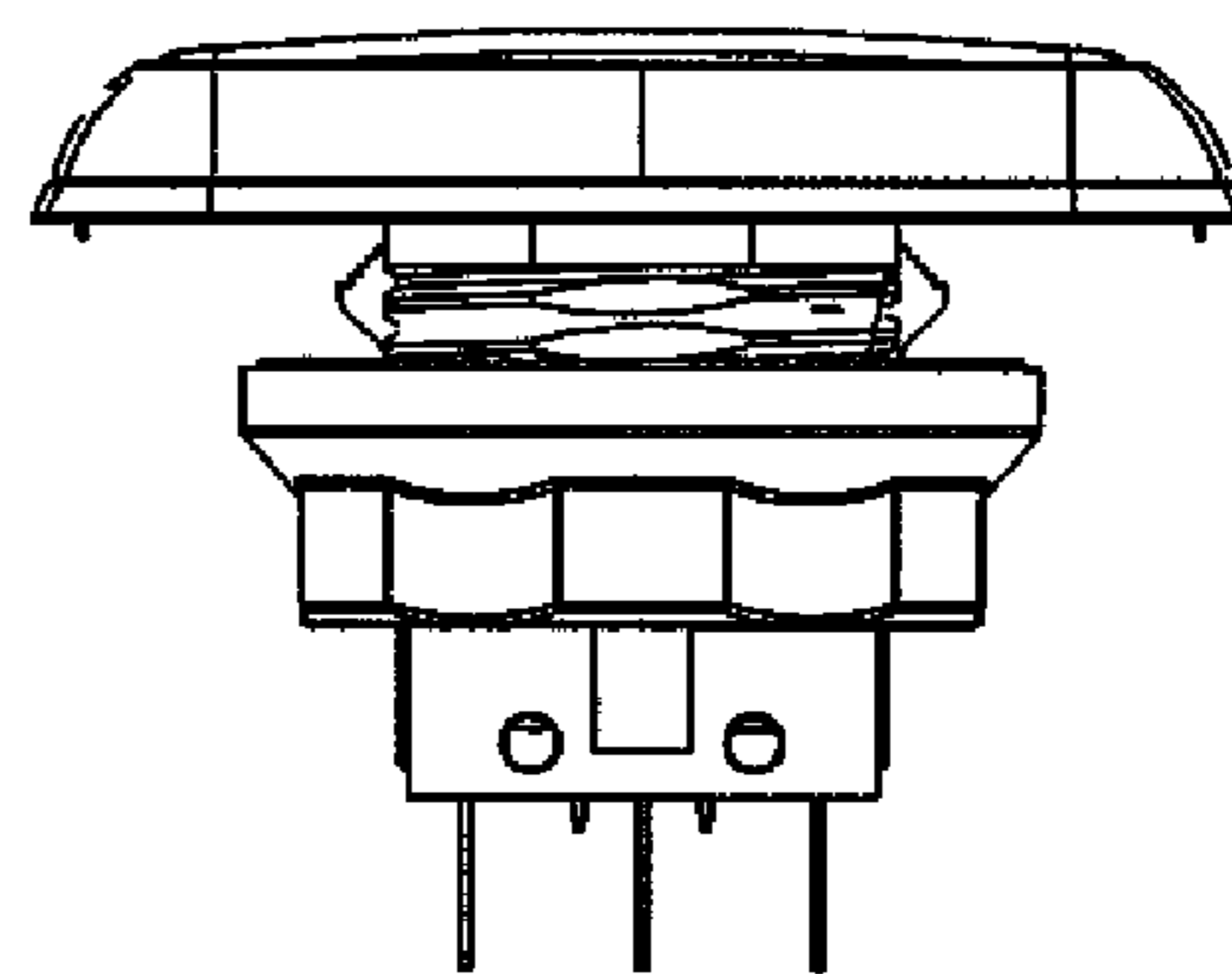


Fig. 19

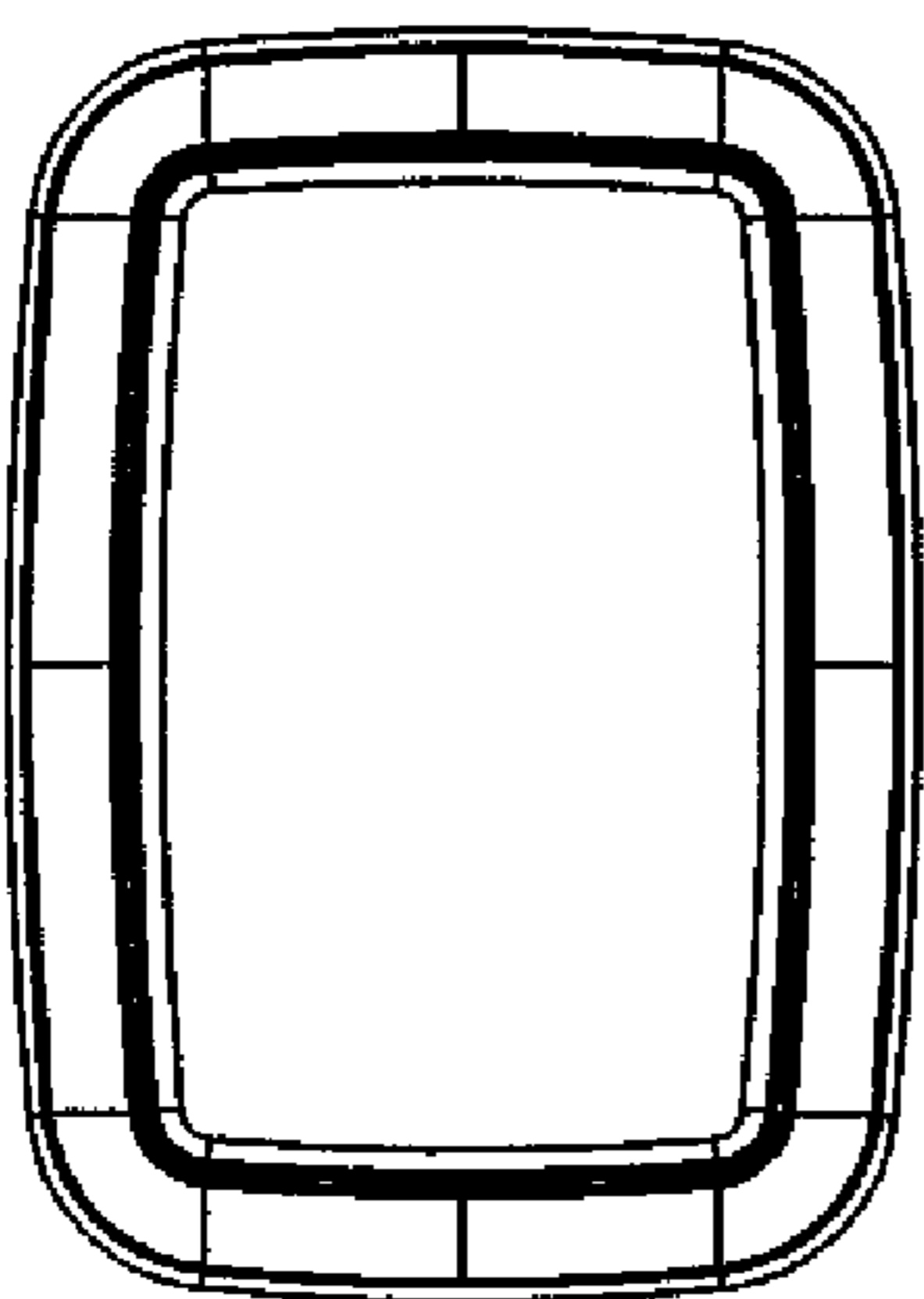


Fig. 20