



US00D645002S

(12) **United States Design Patent**  
**Kashimoto**

(10) **Patent No.:** **US D645,002 S**

(45) **Date of Patent:** **\*\* Sep. 13, 2011**

(54) **ADAPTER FOR AIR-CONDITIONING APPARATUS**

(75) Inventor: **Hiroko Kashimoto**, Kusatsu (JP)

(73) Assignee: **Daikin Industries Ltd.**, Osaka (JP)

(\*\*) Term: **14 Years**

(21) Appl. No.: **29/371,261**

(22) Filed: **Dec. 16, 2010**

(51) **LOC (9) Cl.** ..... **13-03**

(52) **U.S. Cl.** ..... **D13/162**

(58) **Field of Classification Search** ..... D13/123,  
D13/124, 158, 159, 162.1, 162, 164, 173,  
D13/177, 184, 199; 361/686, 687, 703, 725;  
D14/100, 107, 114, 188; D15/9  
See application file for complete search history.

(56) **References Cited**

**U.S. PATENT DOCUMENTS**

- D555,115 S \* 11/2007 Dornauer et al. .... D13/184
- D558,684 S \* 1/2008 Dornauer et al. .... D13/162
- D607,843 S \* 1/2010 Borax ..... D13/162
- D609,195 S \* 2/2010 Yamashita et al. .... D13/162

- D611,004 S \* 3/2010 Nutting et al. .... D13/162
- D612,813 S \* 3/2010 Paul ..... D13/162
- D625,692 S \* 10/2010 Homuth ..... D13/162
- D627,743 S \* 11/2010 Homuth ..... D13/162
- D637,562 S \* 5/2011 Worm et al. .... D13/162

\* cited by examiner

*Primary Examiner* — Brian N Vinson

(74) *Attorney, Agent, or Firm* — Manabu Kanesaka

(57) **CLAIM**

The ornamental design for an adapter for air-conditioning apparatus, as shown and described.

**DESCRIPTION**

FIG. 1 is a perspective view of an adapter for air-conditioning apparatus showing my new design;  
 FIG. 2 is a front view thereof;  
 FIG. 3 is a rear view thereof;  
 FIG. 4 is a plan view thereof;  
 FIG. 5 is a bottom side view thereof;  
 FIG. 6 is a left side view thereof;  
 FIG. 7 is a right view thereof; and,  
 FIG. 8 is a cross-sectional view thereof taken along line 8-8 in FIG. 2.

**1 Claim, 6 Drawing Sheets**

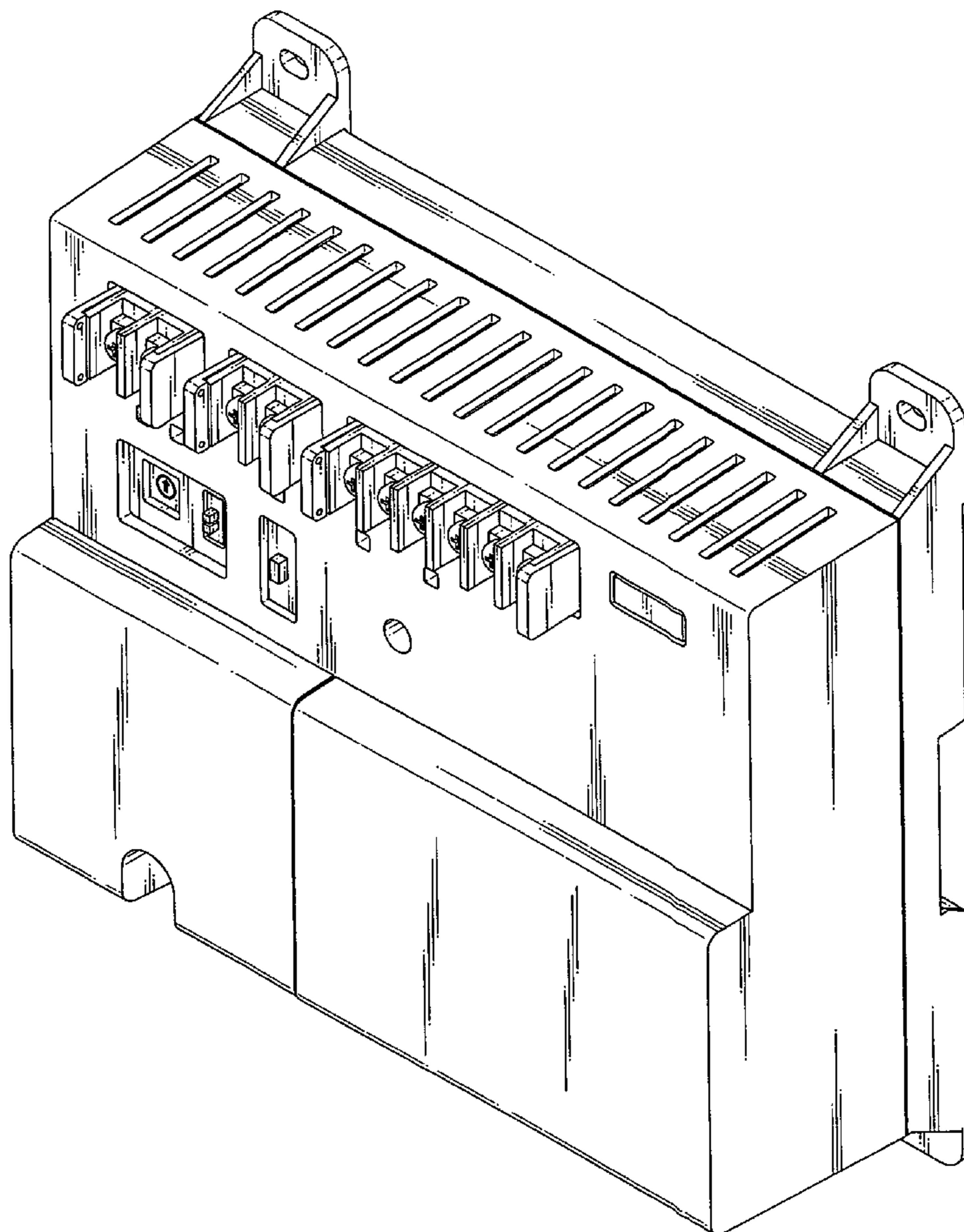


Fig. 1

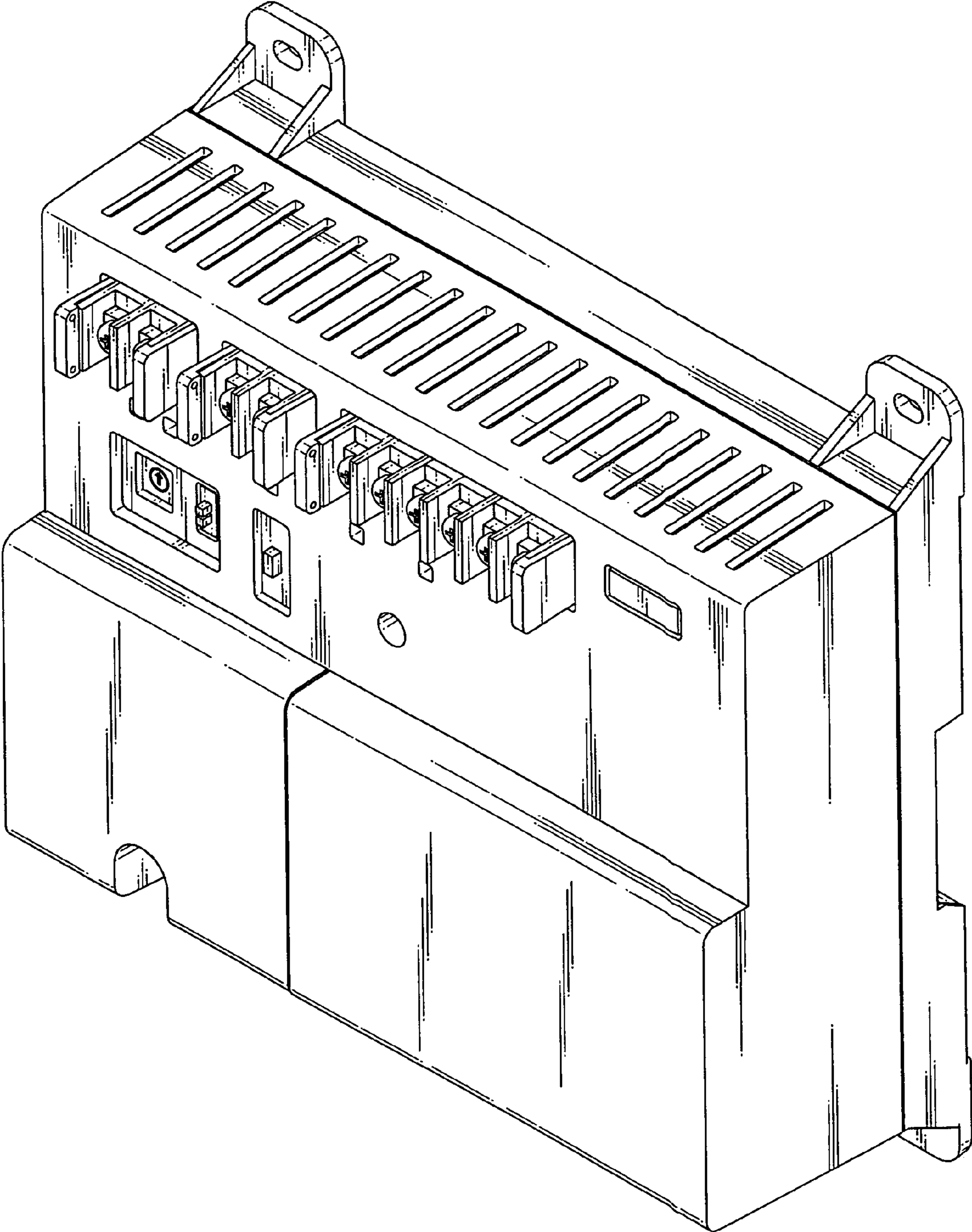


Fig. 2

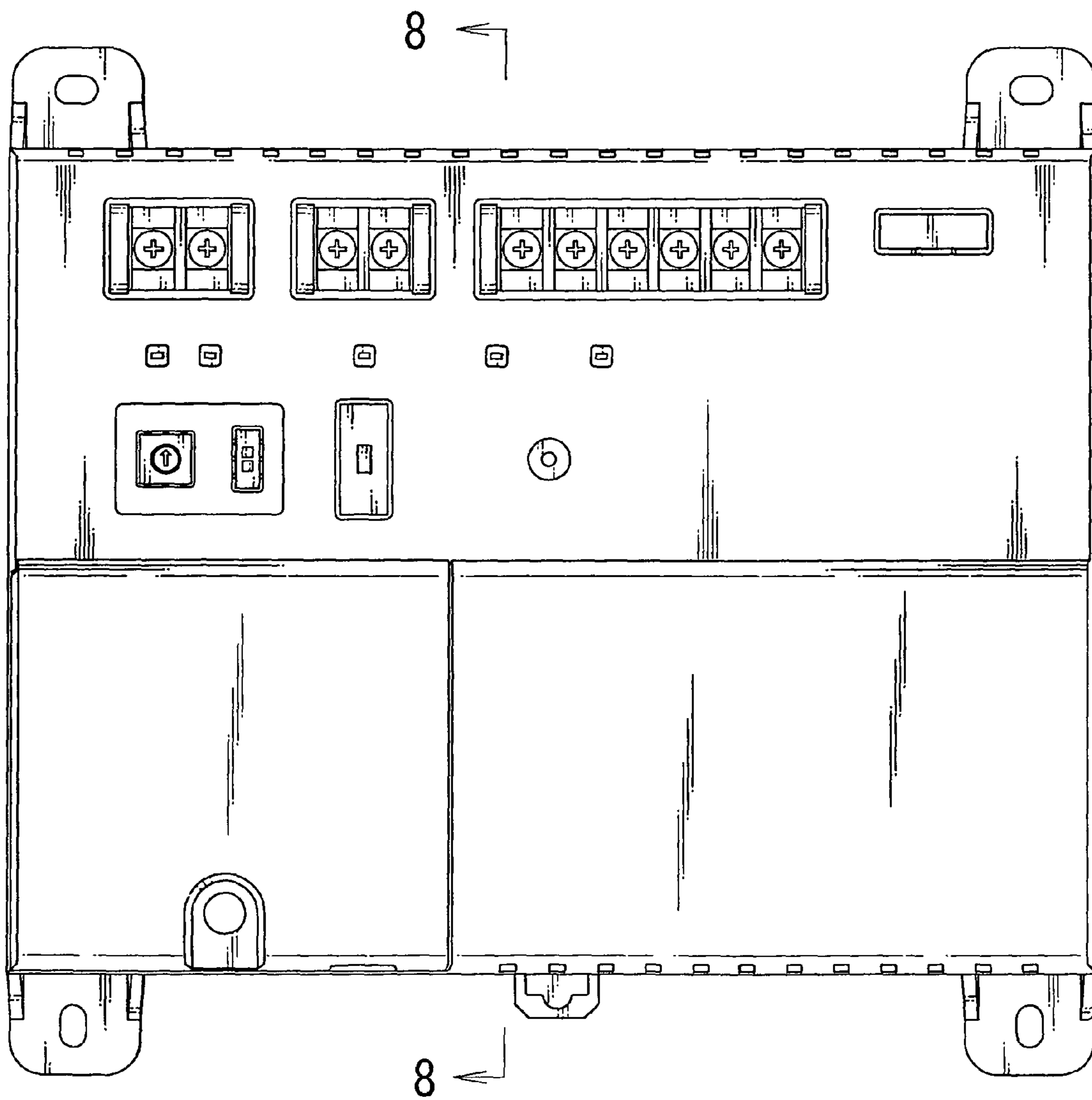


Fig. 3

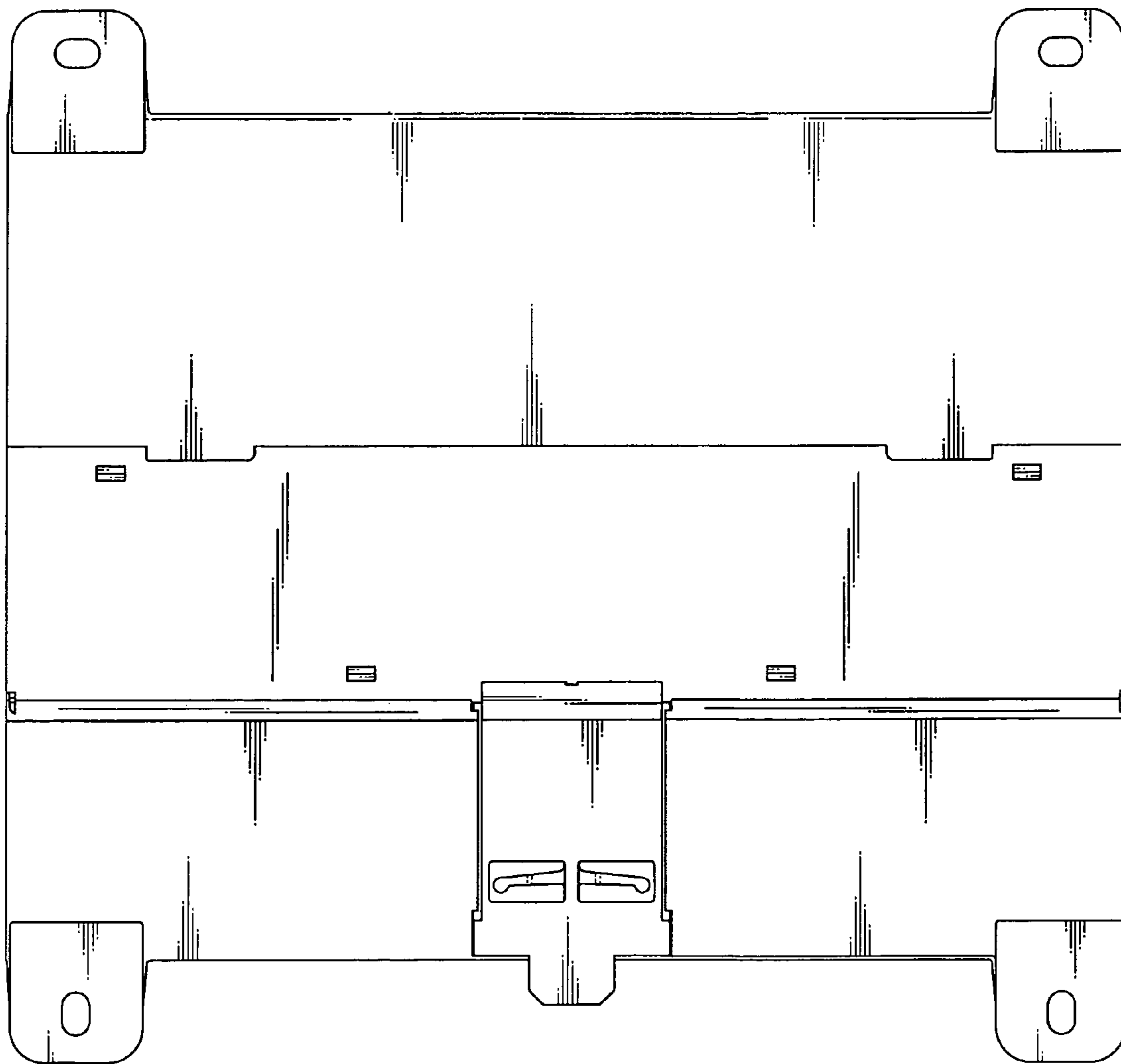


Fig. 4

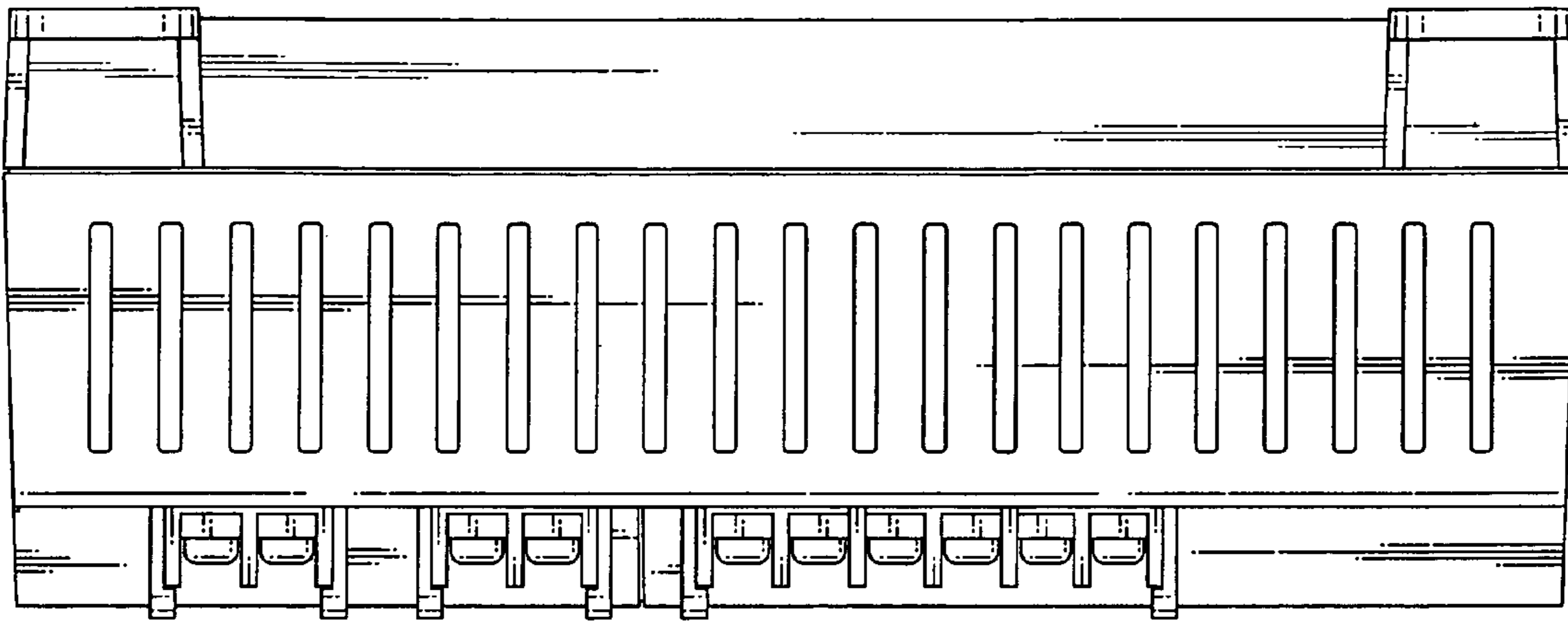


Fig. 5

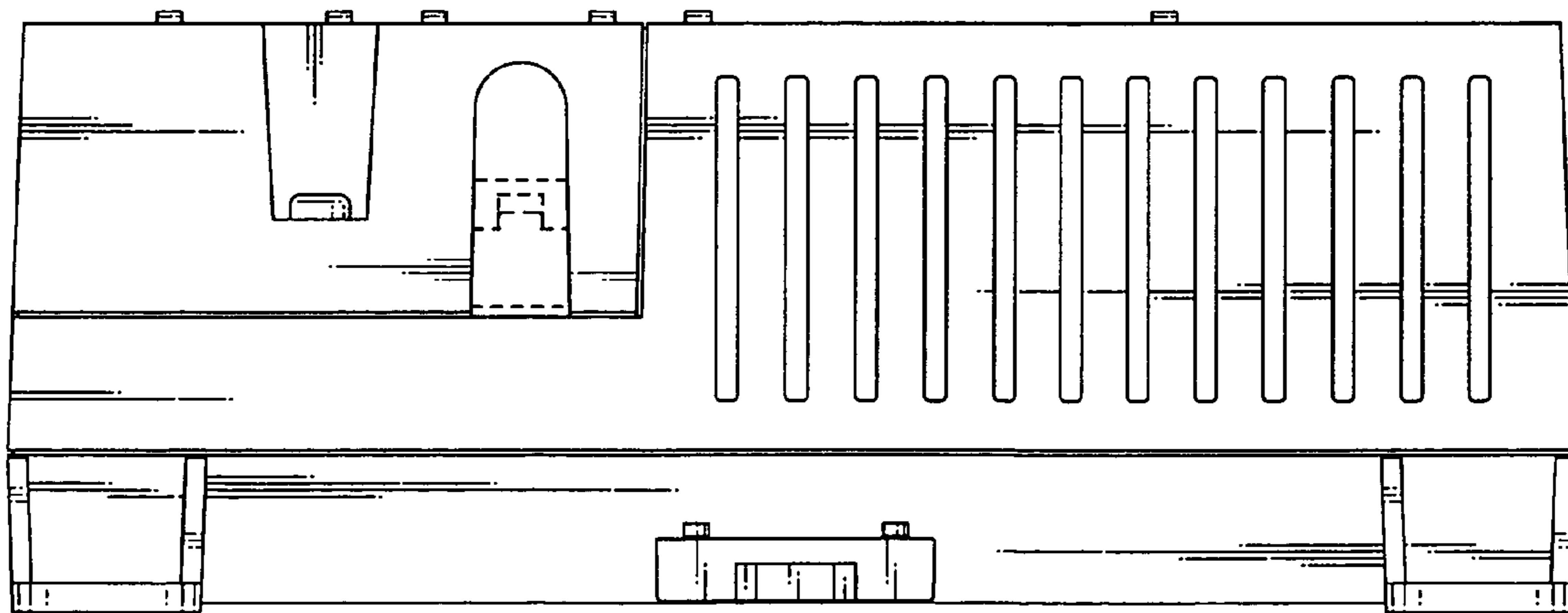


Fig. 6

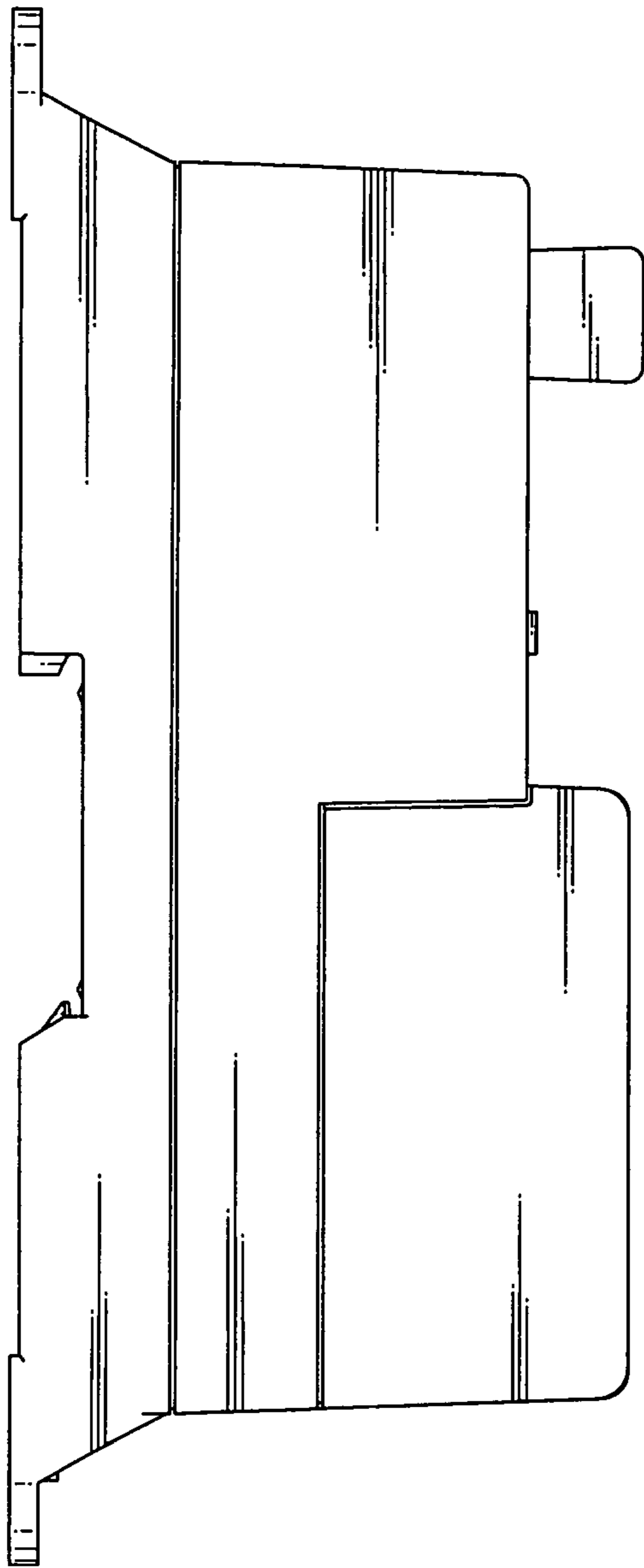


Fig. 7

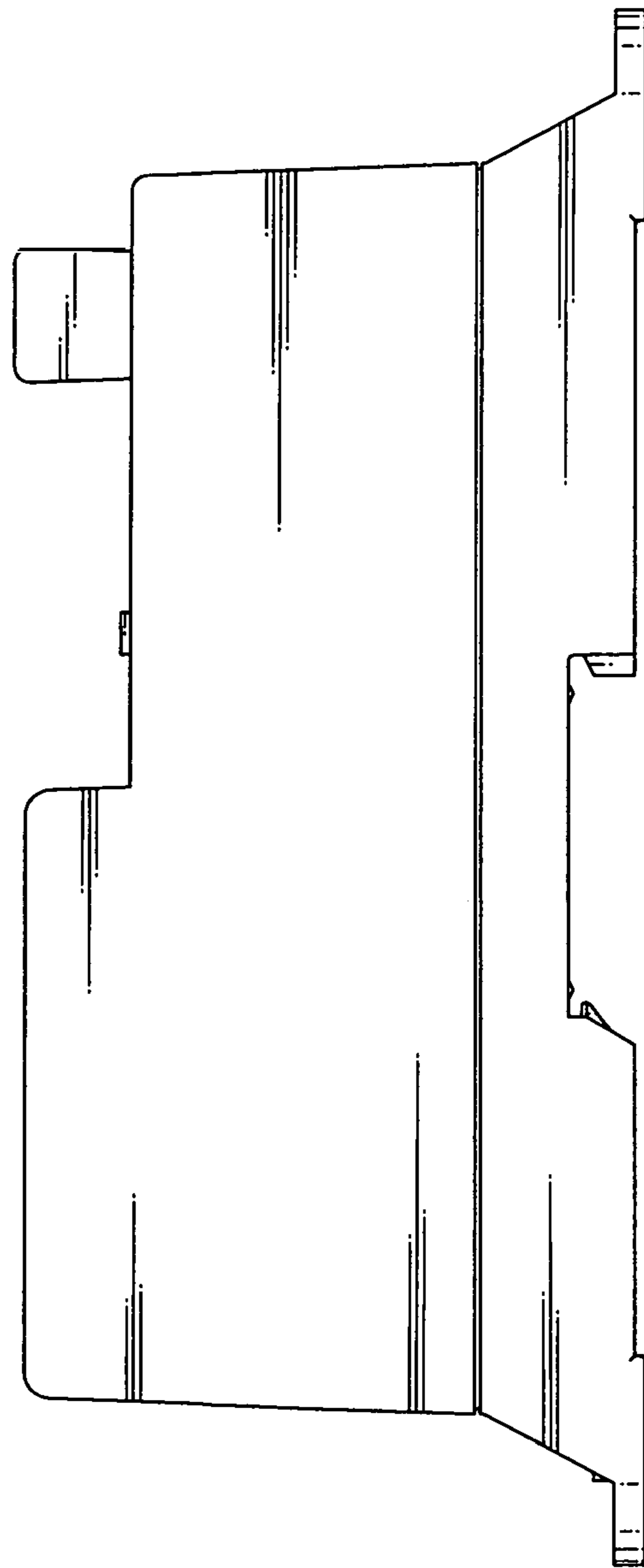


Fig. 8

