



US00D645001S

(12) **United States Design Patent**
Margolin et al.

(10) **Patent No.:** **US D645,001 S**
(45) **Date of Patent:** **** Sep. 13, 2011**

(54) **DYNAMIC KEYPAD FOR CONTROLLING ELECTRICAL LOADS**

D571,675 S 6/2008 Skaf et al.
D572,667 S 7/2008 Mayo et al.

(Continued)

(75) Inventors: **Lauren B. Margolin**, Macungie, PA (US); **Jennifer S. Wilkinson**, Center Valley, PA (US); **Jason C. Killo**, Emmaus, PA (US); **Gregory Altonen**, Easton, PA (US); **Elliot G. Jacoby**, Glenside, PA (US); **Joel S. Spira**, Coopersburg, PA (US)

OTHER PUBLICATIONS

Sonos, Inc., Sonos Controller 200 Data Sheet, Jul. 2009, 2 pages.

(Continued)

Primary Examiner — Selina Sikder

(74) *Attorney, Agent, or Firm* — Mark E. Rose; Philip N. Smith; Bridget L. McDonough

(73) Assignee: **Lutron Electronics Co., Inc.**, Coopersburg, PA (US)

(**) Term: **14 Years**

(57) **CLAIM**

We claim the ornamental design for a dynamic keypad for controlling electrical loads, as shown and described.

(21) Appl. No.: **29/368,570**

(22) Filed: **Aug. 25, 2010**

DESCRIPTION

(51) **LOC (9) Cl.** **13-03**

(52) **U.S. Cl.** **D13/162; D13/164**

(58) **Field of Classification Search** D13/162, D13/164, 174; 174/66; 200/310, 313, 317, 200/329, 333, 341; 315/291, 297

See application file for complete search history.

FIG. 1 is a perspective view of a dynamic keypad for controlling electrical loads according to a first embodiment of our new design.

FIG. 2 is a front view thereof.

FIG. 3 is a left side view thereof.

FIG. 4 is a right side view thereof.

FIG. 5 is a top view thereof.

FIG. 6 is a bottom view thereof.

FIG. 7 is a perspective view of a dynamic keypad for controlling electrical loads according to a second embodiment of our new design.

FIG. 8 is a front view thereof.

FIG. 9 is a left side view thereof.

FIG. 10 is a right side view thereof.

FIG. 11 is a top view thereof; and,

FIG. 12 is a bottom view thereof.

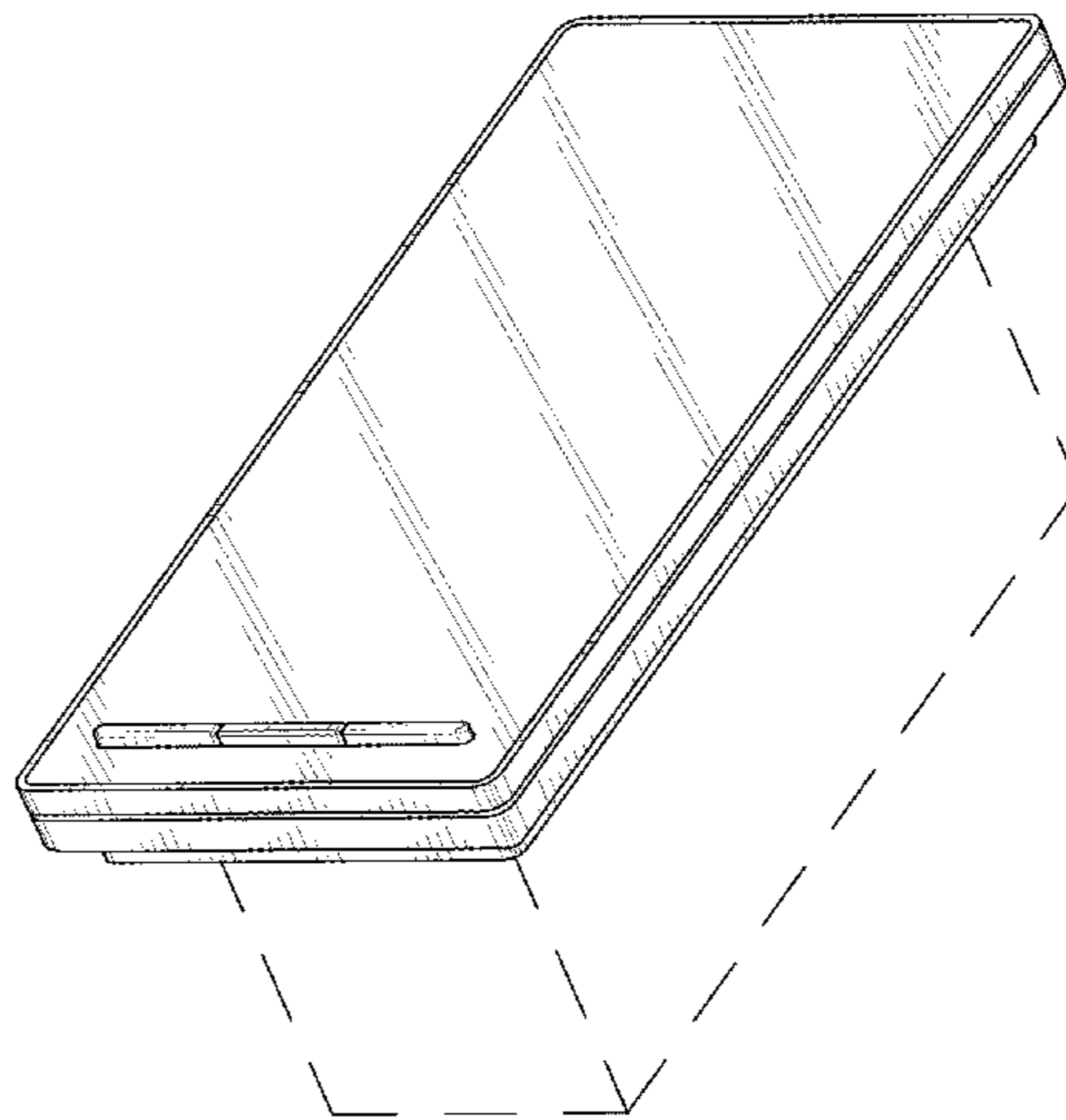
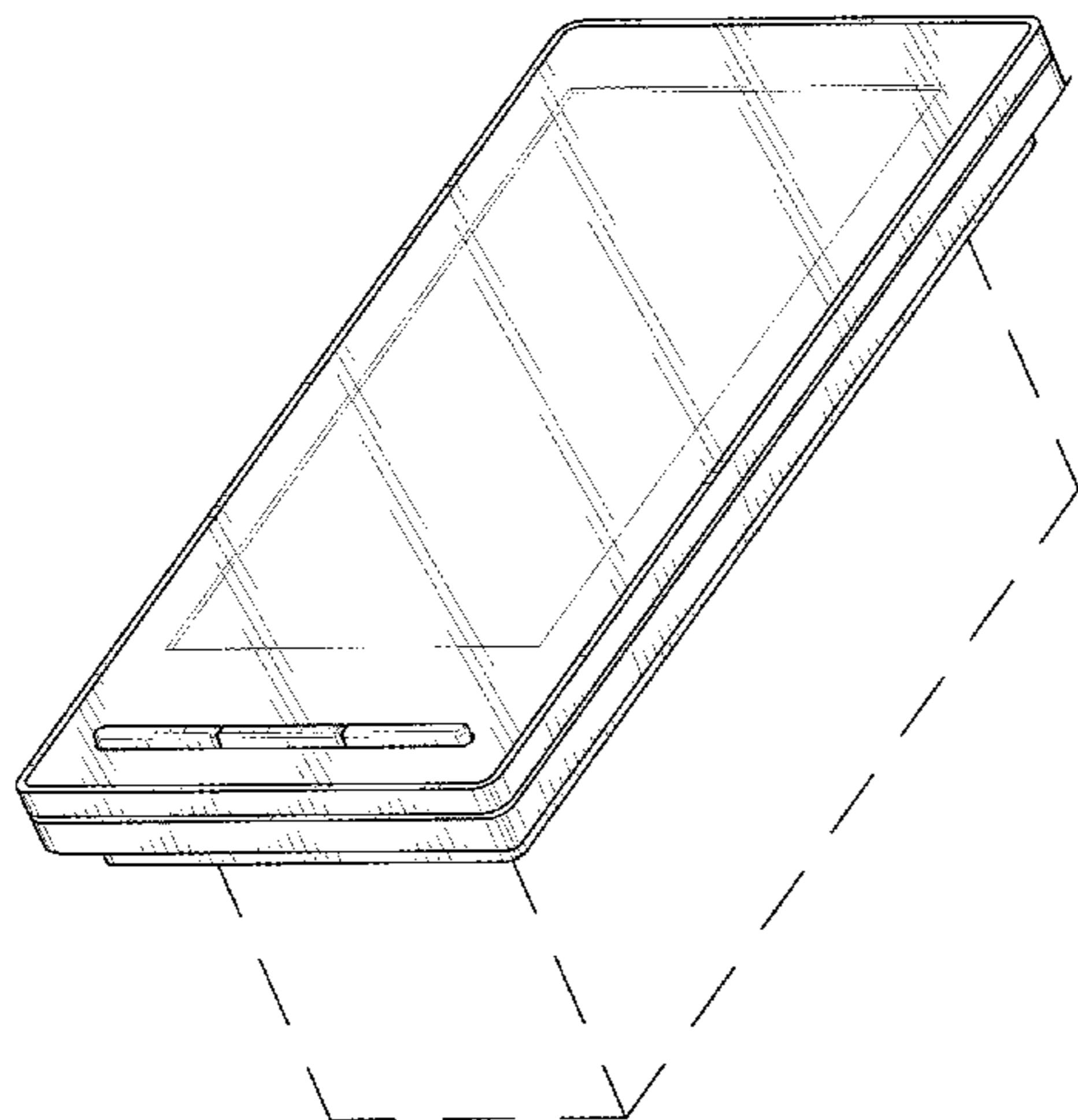
The portions of the drawings appearing in broken line are for environment only and do not form a part of the claimed design. The rear views form no part of the design and are omitted.

(56) **References Cited**

U.S. PATENT DOCUMENTS

D191,047	S	*	8/1961	Baxendell	D8/353
D287,006	S		12/1986	Fletcher et al.		
D311,678	S	*	10/1990	Graef et al.	D8/353
5,510,587	A	*	4/1996	Reiter	200/341
6,026,605	A	*	2/2000	Tippett	40/725
D421,399	S		3/2000	Bennett et al.		
D431,199	S		9/2000	Bennett et al.		
6,459,250	B1	*	10/2002	Davis	323/352
D505,676	S		5/2005	Porter et al.		
D524,251	S		7/2006	Lim et al.		
7,119,297	B2	*	10/2006	Katagiri	200/345
7,122,753	B1	*	10/2006	Davis	200/331
D537,417	S		2/2007	Dukerschein et al.		
7,250,579	B2	*	7/2007	Ahlers et al.	200/329
7,271,338	B1	*	9/2007	Rohmer	174/66
D570,299	S		6/2008	Jacoby et al.		

1 Claim, 8 Drawing Sheets



US D645,001 S

Page 2

U.S. PATENT DOCUMENTS

D574,787 S * 8/2008 Hollner D13/162
D580,387 S 11/2008 Andre et al.
D581,879 S 12/2008 Dukerschein et al.
D586,800 S 2/2009 Andre et al.
D595,240 S * 6/2009 Busbridge D13/171
7,547,119 B2 * 6/2009 Kuwana et al. 362/294
D602,486 S 10/2009 Andre et al.
D618,678 S 6/2010 Andre et al.
D620,004 S 7/2010 Andre et al.
D622,719 S 8/2010 Andre et al.
D622,720 S 8/2010 Andre et al.
7,786,399 B2 * 8/2010 Wang et al. 200/345
2005/0224329 A1 * 10/2005 Milo 200/341

OTHER PUBLICATIONS

AMX Corporation, Mio Modero DMS Keypads Specification Sheet, 2006, 2 pages.
Schneider Electric, Square D Clipsal Neo Keypads with DLT Specification Sheet, 2006, 2 pages.
Julie Jacobson, "Control4 InfinityEdge Priced, Designed Like iPad", CE Pro Magazine, Aug. 10, 2010, Retrieved from the Internet <URL: http://www.cepro.com/article/control4_infinityedge_priced_designed_like_ipad/>.
Crestron Electronics, Inc., Crestron Mobile e-Control Mobility Solution Sell Sheet, Mar. 2009, 1 sheet.
U.S. Appl. No. 29/342,975, filed Sep. 3, 2009, Margolin et al.
U.S. Appl. No. 29/375,102, filed Sep. 17, 2010, Margolin et al.

* cited by examiner

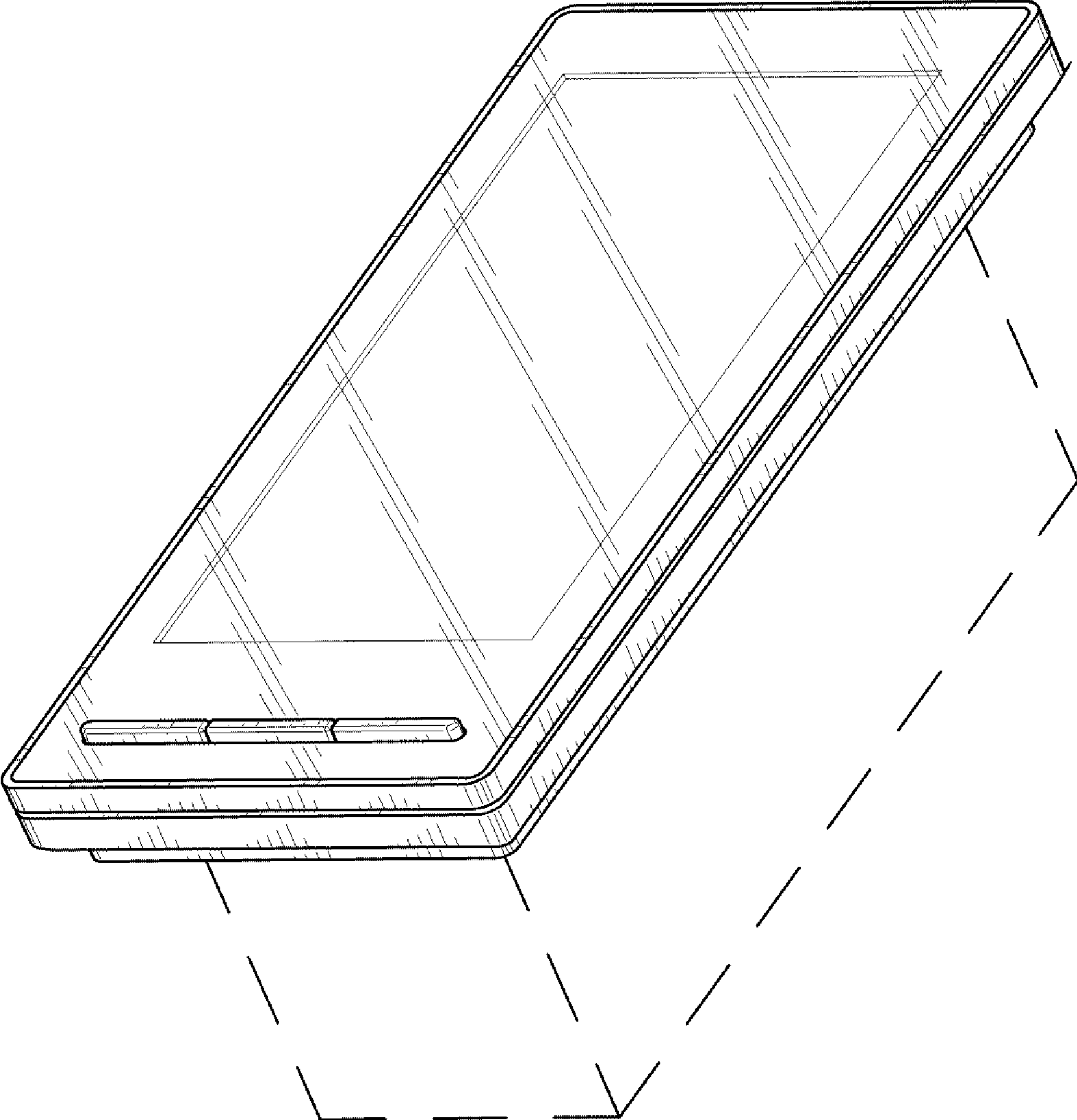


Fig. 1

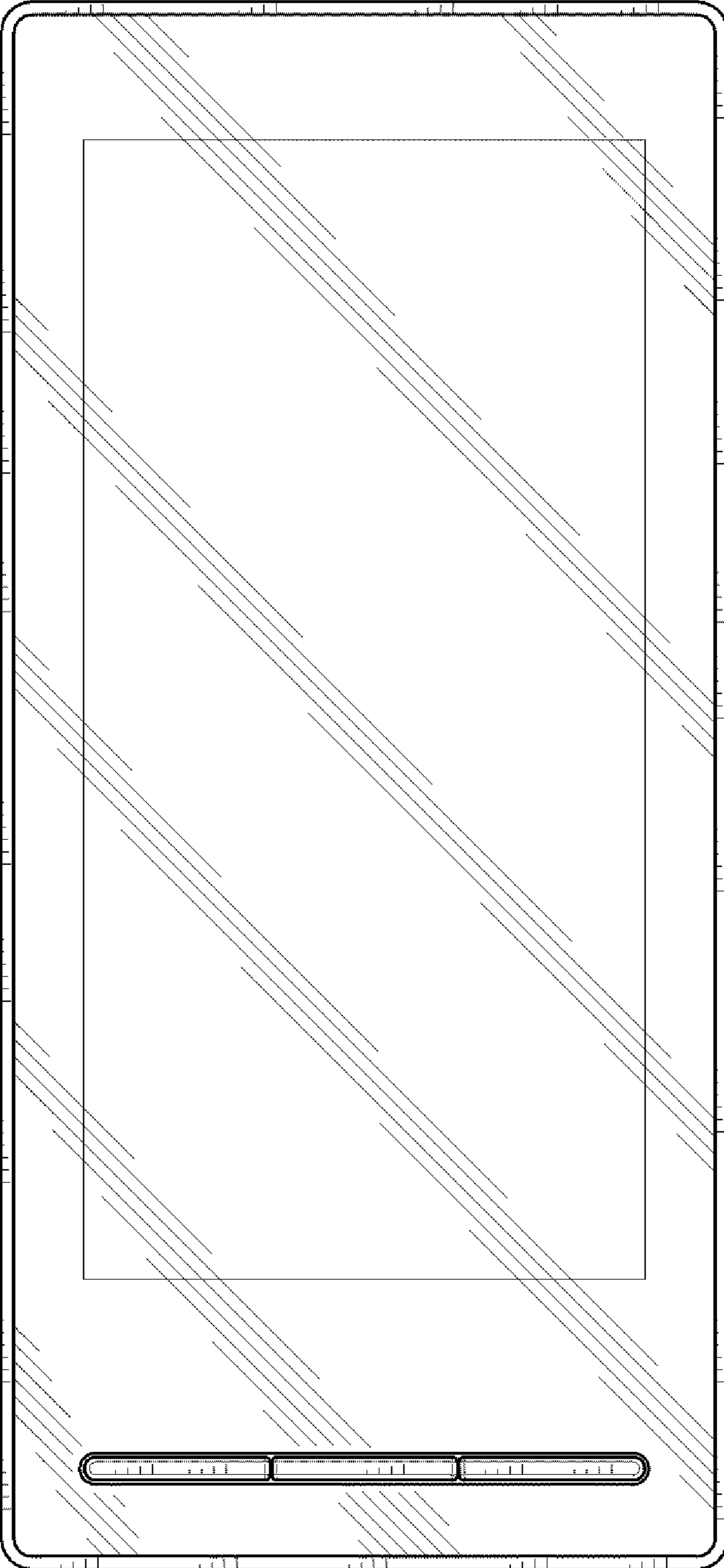


Fig. 2

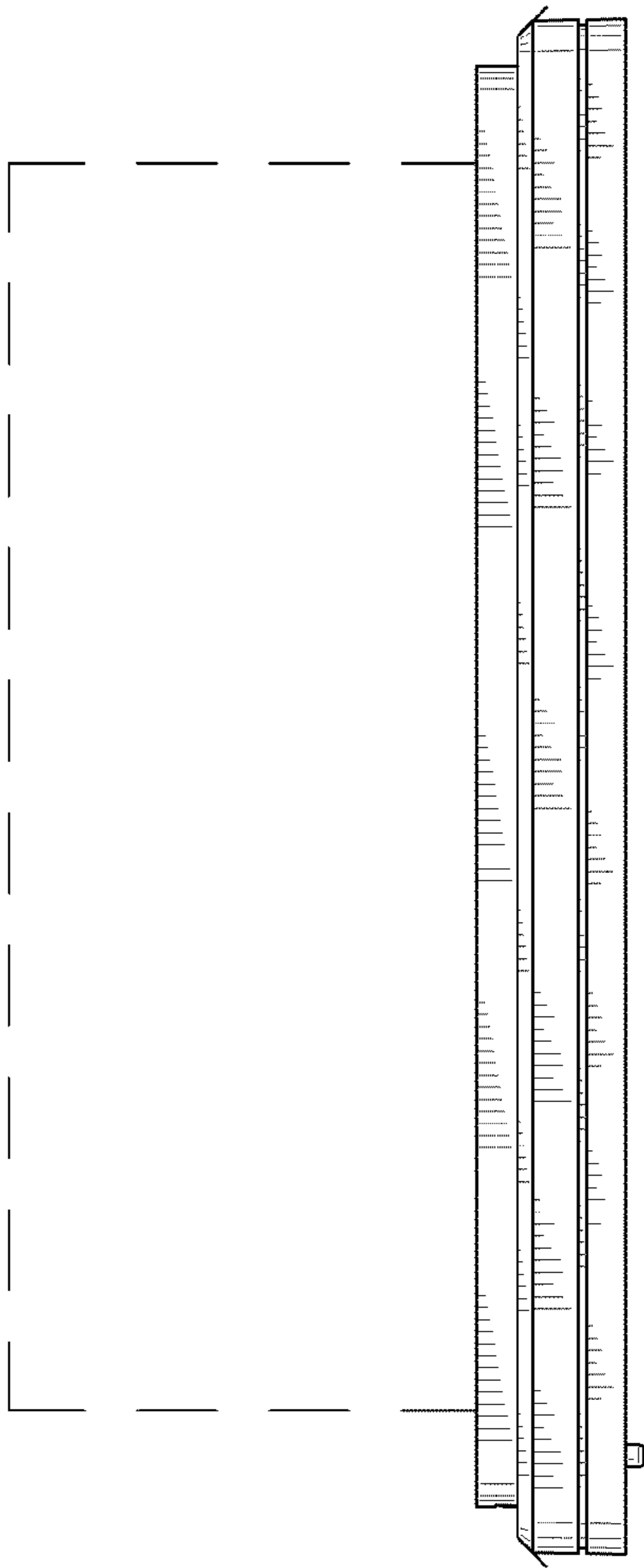


Fig. 3

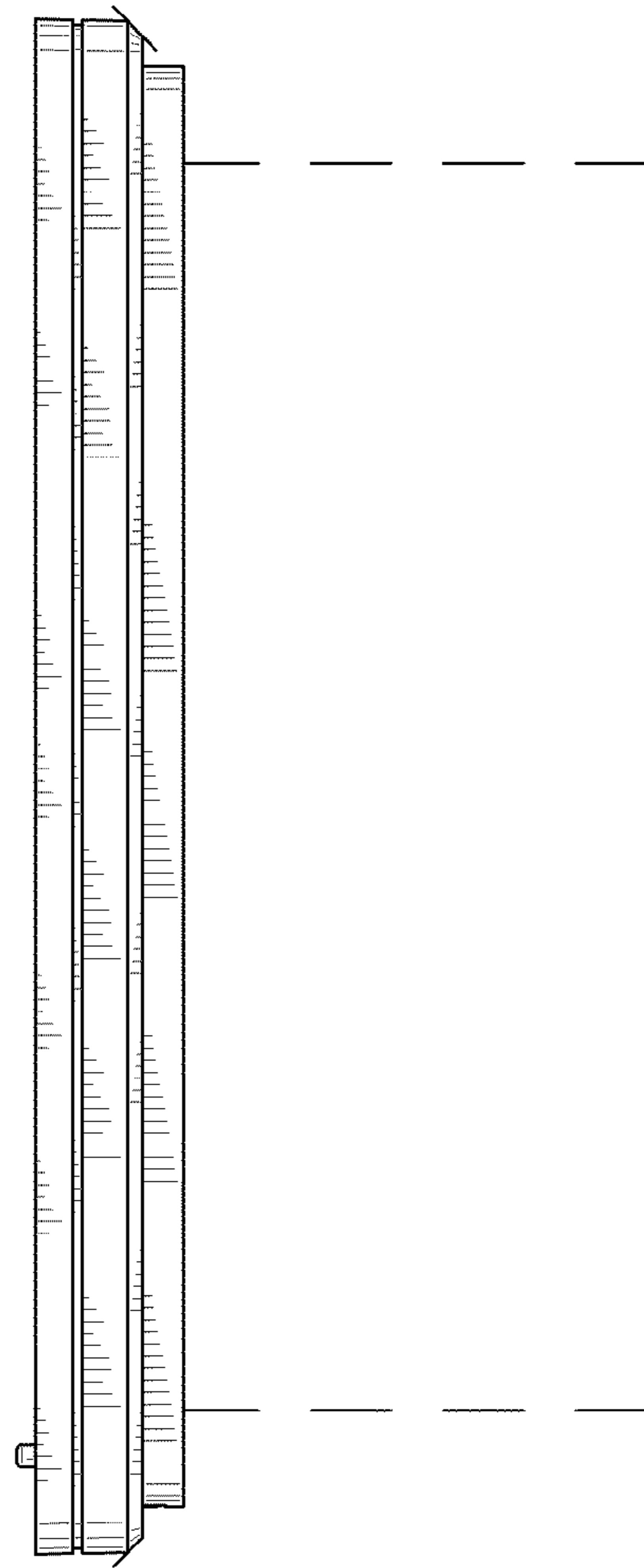


Fig. 4

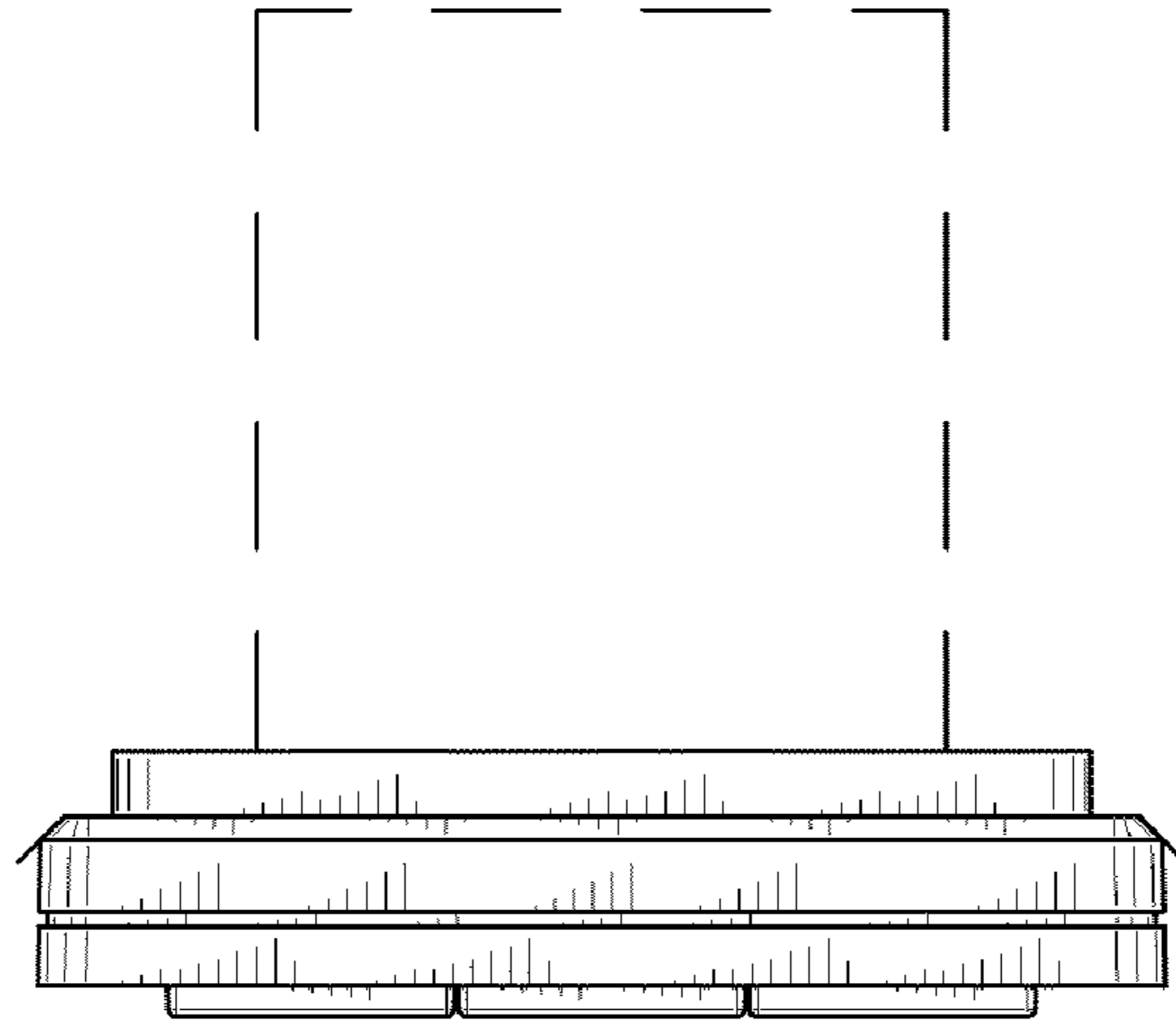


Fig. 5

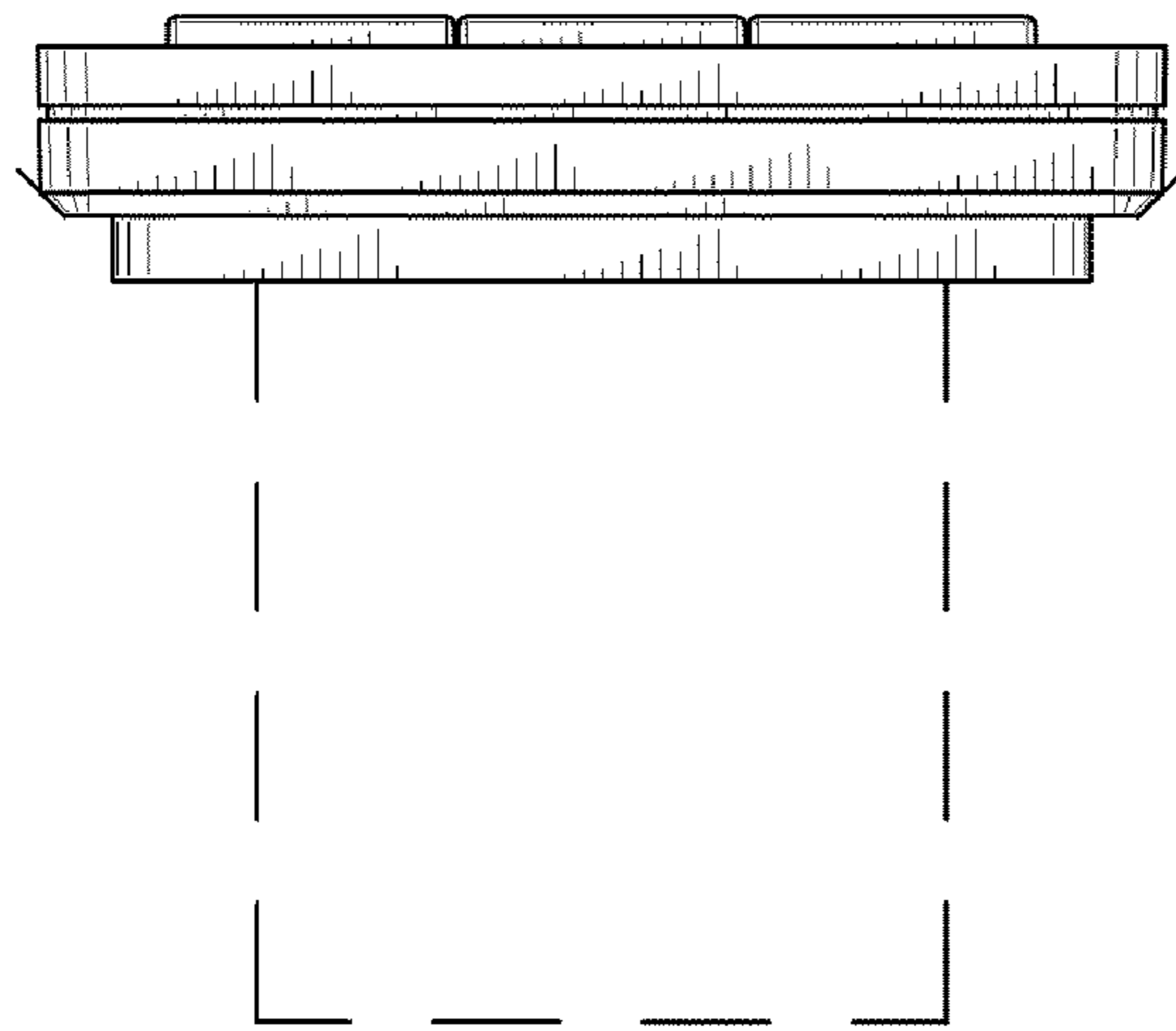


Fig. 6

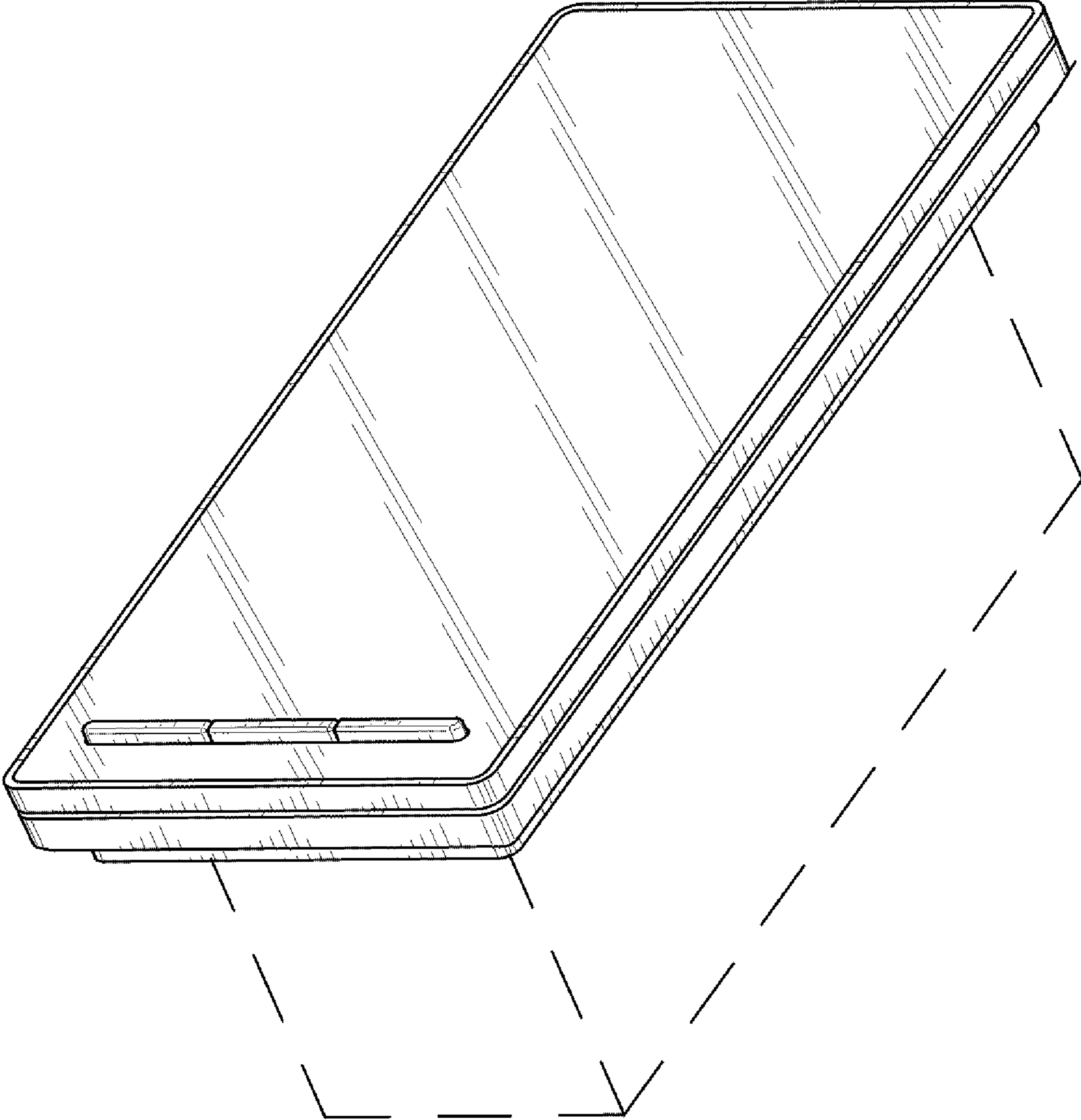


Fig. 7

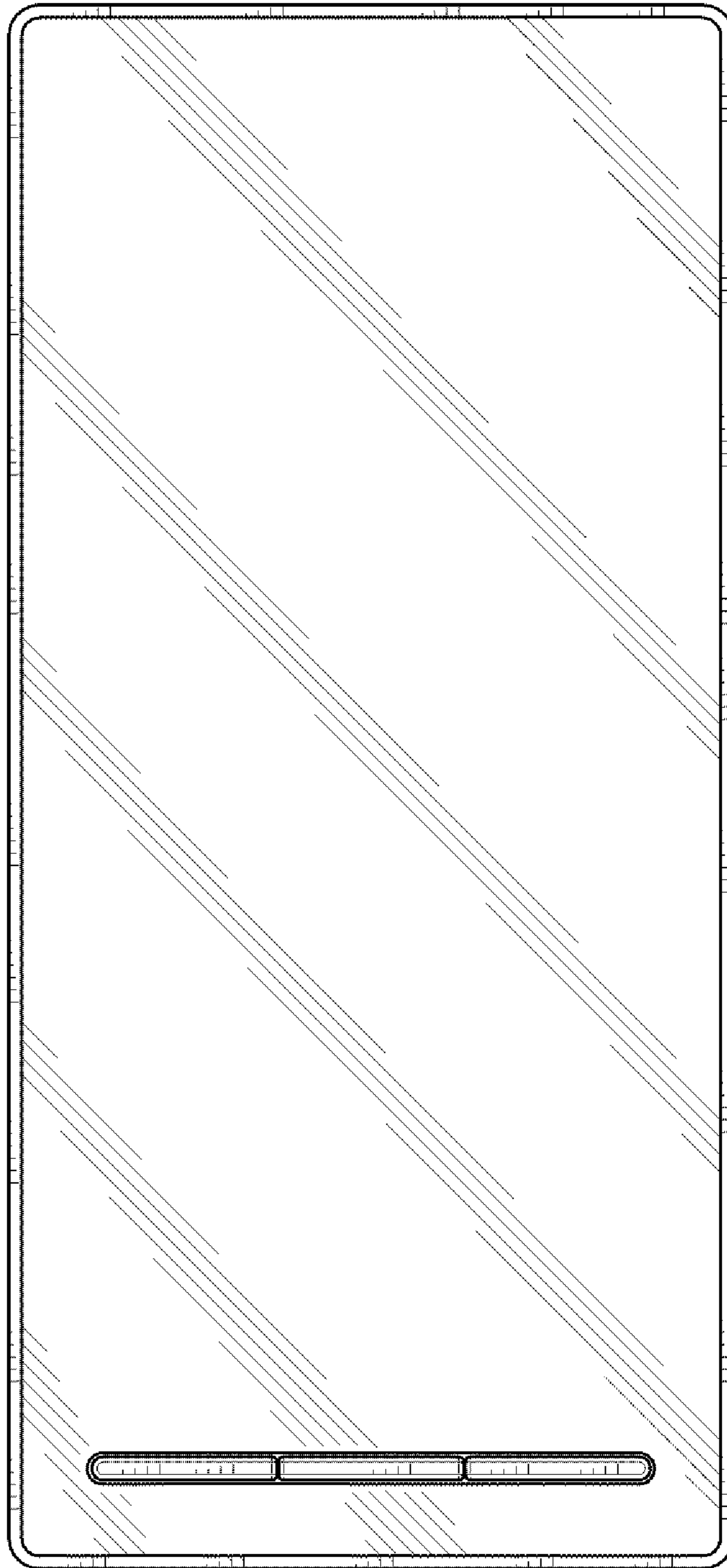


Fig. 8

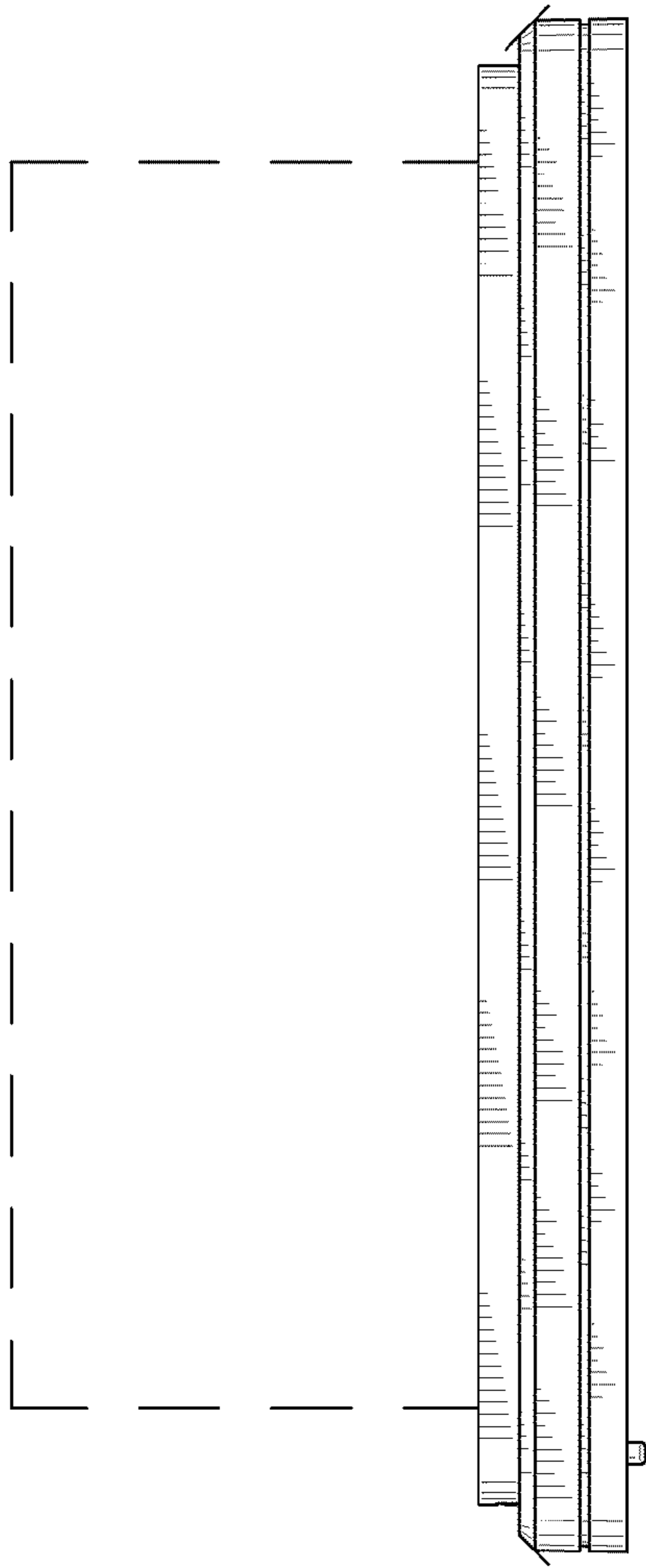


Fig. 9

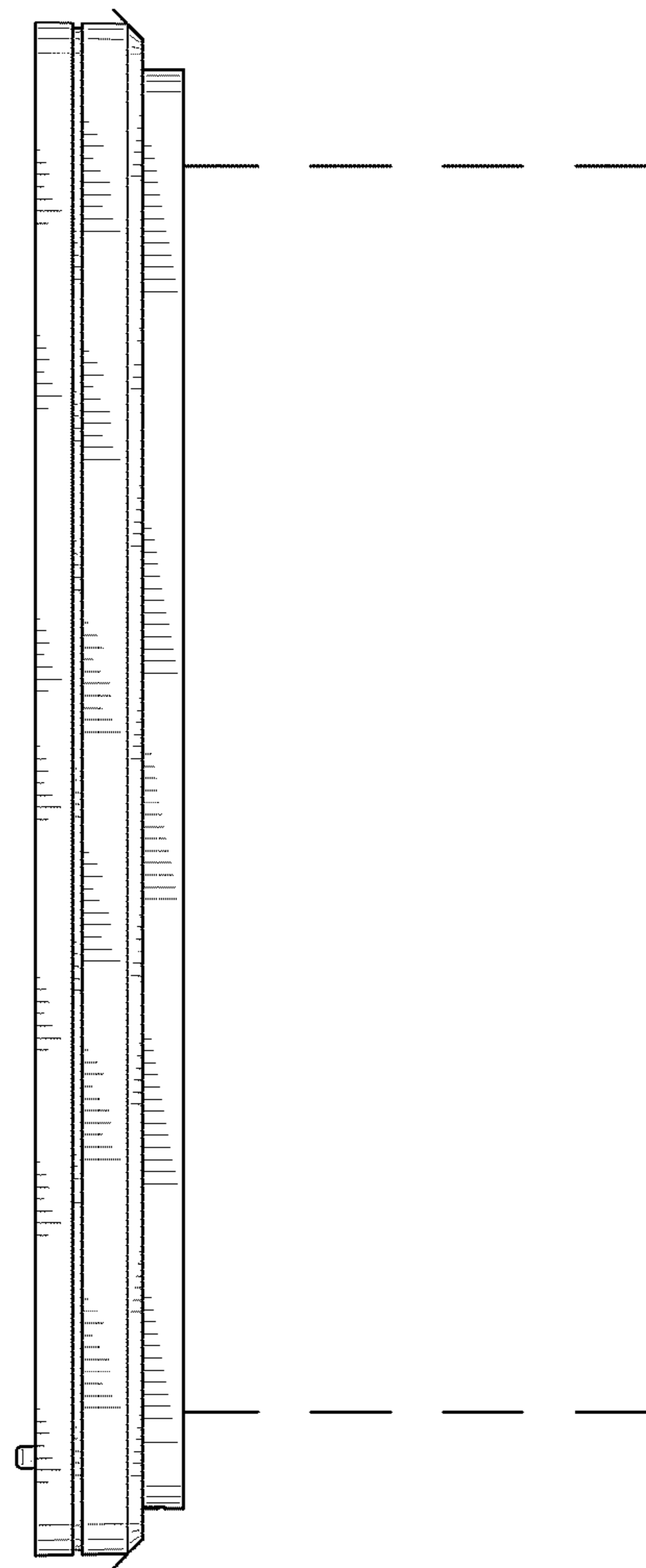


Fig. 10

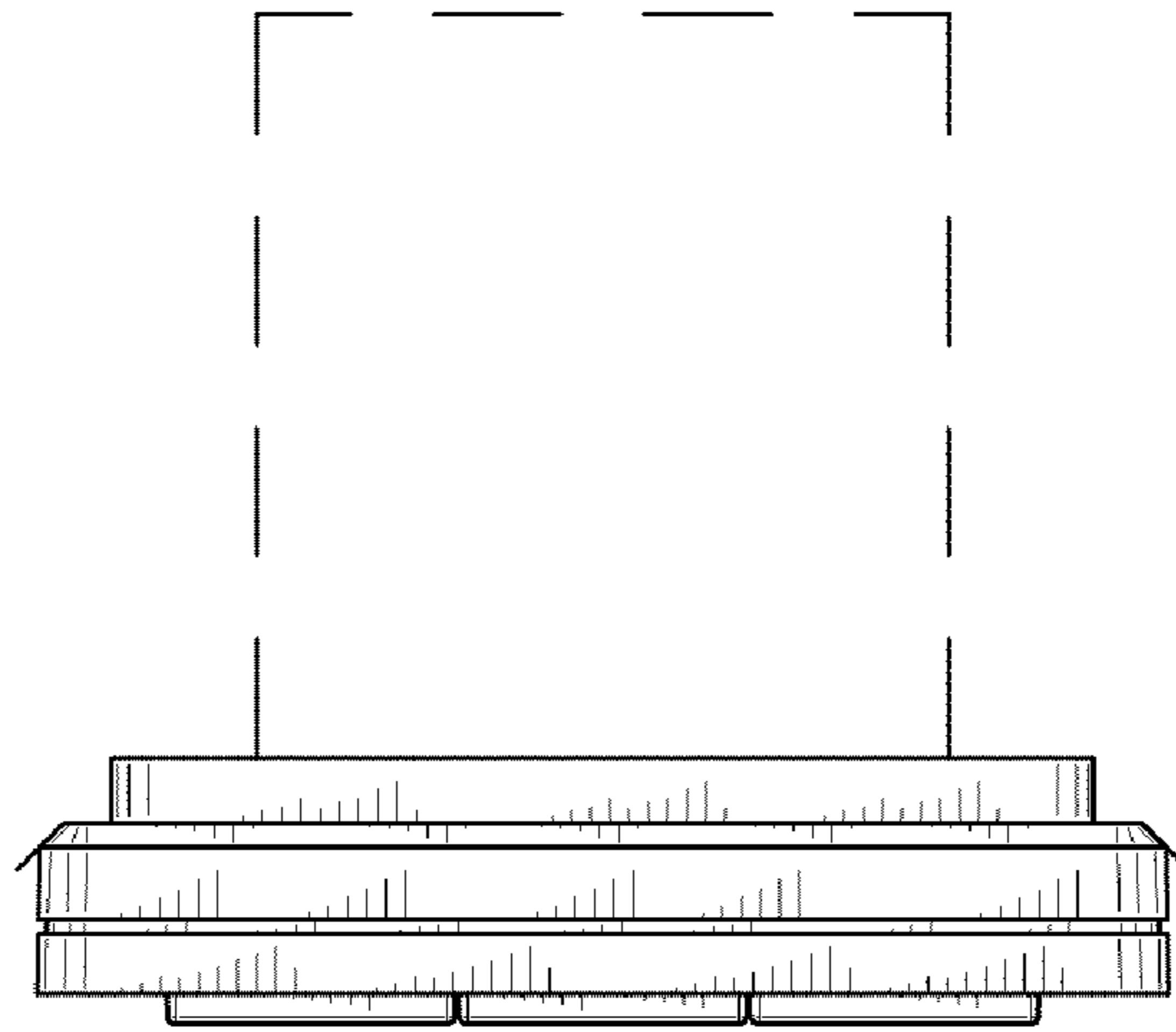


Fig. 11

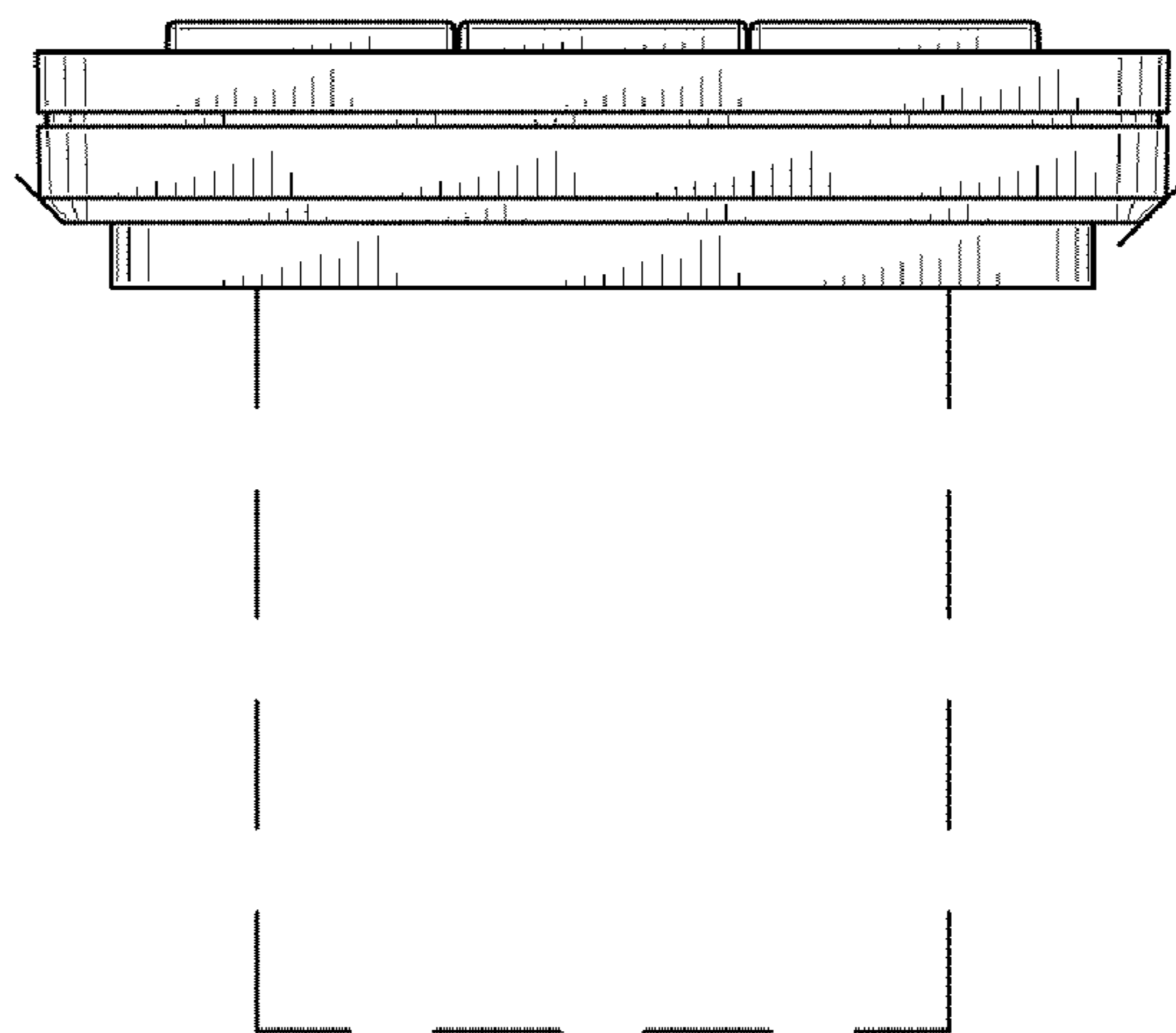


Fig. 12