



US00D645000S

(12) **United States Design Patent**
Yoshida

(10) **Patent No.:** **US D645,000 S**

(45) **Date of Patent:** **** Sep. 13, 2011**

(54) **WATERPROOF CONNECTOR**

(75) Inventor: **Toshikazu Yoshida**, Shiga (JP)

(73) Assignee: **Yukita Electric Wire Co., Ltd.**, Osaka (JP)

(**) Term: **14 Years**

(21) Appl. No.: **29/353,965**

(22) Filed: **Jan. 17, 2010**

(30) **Foreign Application Priority Data**

Aug. 17, 2009 (JP) 2009-018710

(51) **LOC (9) Cl.** **13-03**

(52) **U.S. Cl.** **D13/154**

(58) **Field of Classification Search** D13/133,
D13/149, 151, 153, 154, 156, 199; 439/79,
439/248, 258, 274, 350, 352, 353, 358, 359,
439/362, 378, 445, 447, 578, 584, 585, 656,
439/660, 676, 677, 678, 679, 680, 681, 682,
439/686

See application file for complete search history.

(56) **References Cited**

U.S. PATENT DOCUMENTS

D313,222 S *	12/1990	Takizawa	D13/133
D424,021 S *	5/2000	Amin	D13/151
D514,071 S *	1/2006	Vahey	D13/154
D601,090 S *	9/2009	Vigorito et al.	D13/133
D617,742 S *	6/2010	Amidon	D13/154
D626,068 S *	10/2010	Giefers et al.	D13/133
D626,506 S *	11/2010	Giefers et al.	D13/133
2007/0099468 A1 *	5/2007	Wada et al.	439/275

* cited by examiner

Primary Examiner — Thomas Johannes

(74) *Attorney, Agent, or Firm* — Cheng Law Group, PLLC

(57) **CLAIM**

The ornamental design for a waterproof connector, as shown and described.

DESCRIPTION

FIG. 1 is a front elevational view of a waterproof connector showing my new design;

FIG. 2 is a back elevational view thereof;

FIG. 3 is a top plan view thereof;

FIG. 4 is a bottom plan view thereof;

FIG. 5 is a right side elevational view thereof;

FIG. 6 is a left side elevational view thereof;

FIG. 7 is a cross-sectional view thereof; taken in the direction of the line 7—7 of FIG. 1;

FIG. 8 is a cross-sectional view thereof; taken in the direction of the line 8—8 of FIG. 1;

FIG. 9 is a cross-sectional view thereof; taken in the direction of the line 9—9 of FIG. 1;

FIG. 10 is a cross-sectional view thereof; taken in the direction of the line 10-10 of FIG. 3;

FIG. 11 is a front perspective view thereof; and,

FIG. 12 is a rear perspective view thereof.

The broken line portion of the figure drawings is included to show unclaimed subject matter only and forms no part of the claimed design.

The article related to the present design application is a waterproof connector capable of being used for trunk connection of such exterior wirings as power-line cables of a solar cell module.

1 Claim, 6 Drawing Sheets

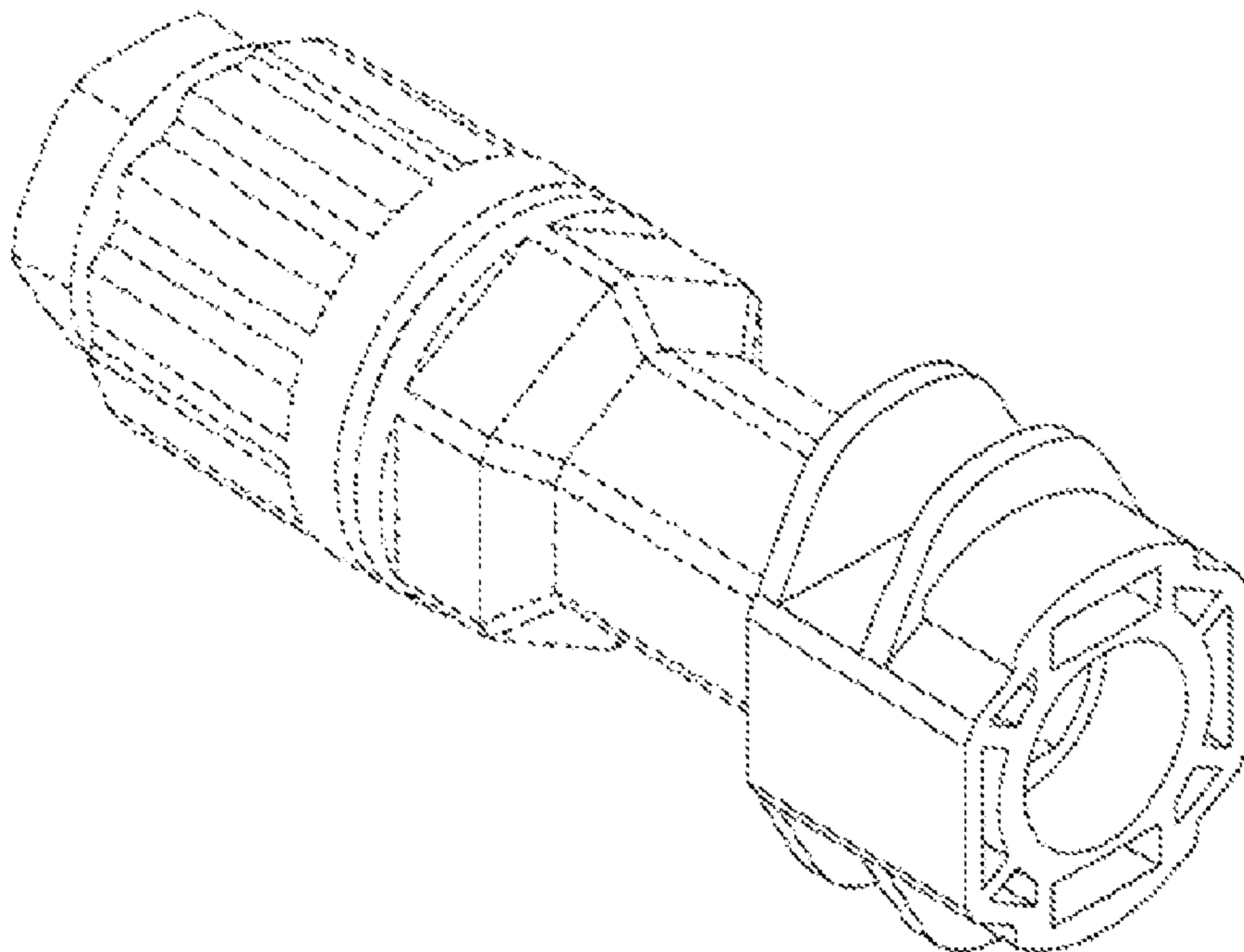


FIG. 1

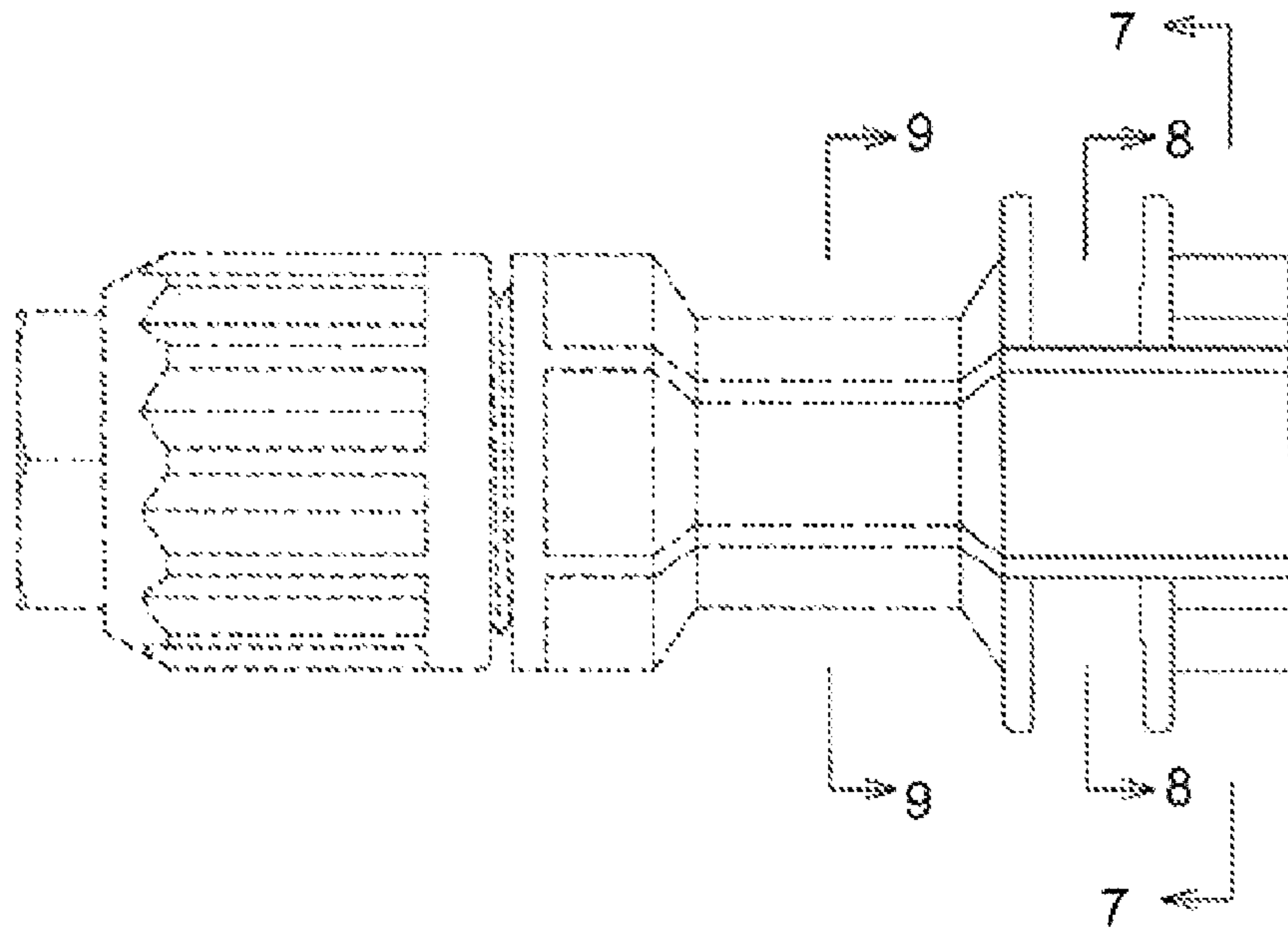


FIG. 2

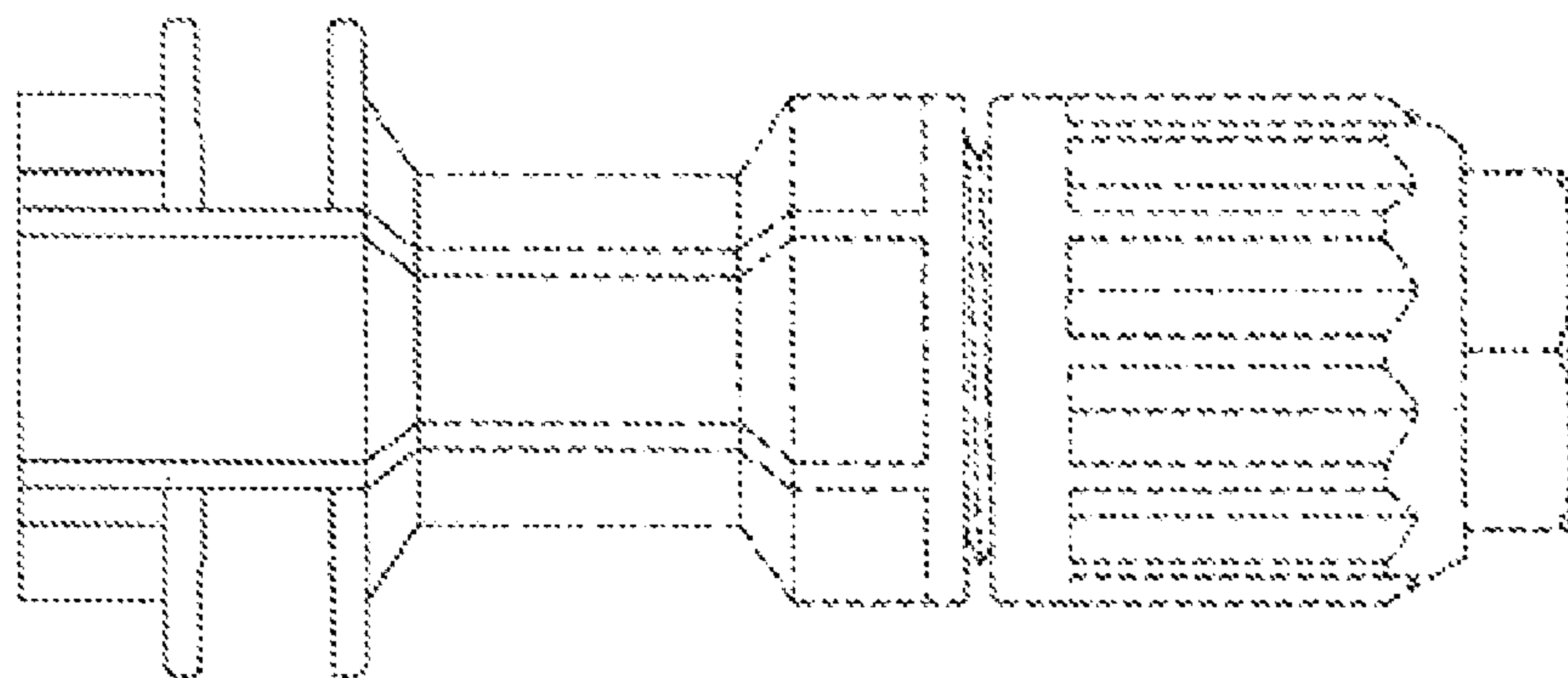


FIG. 3

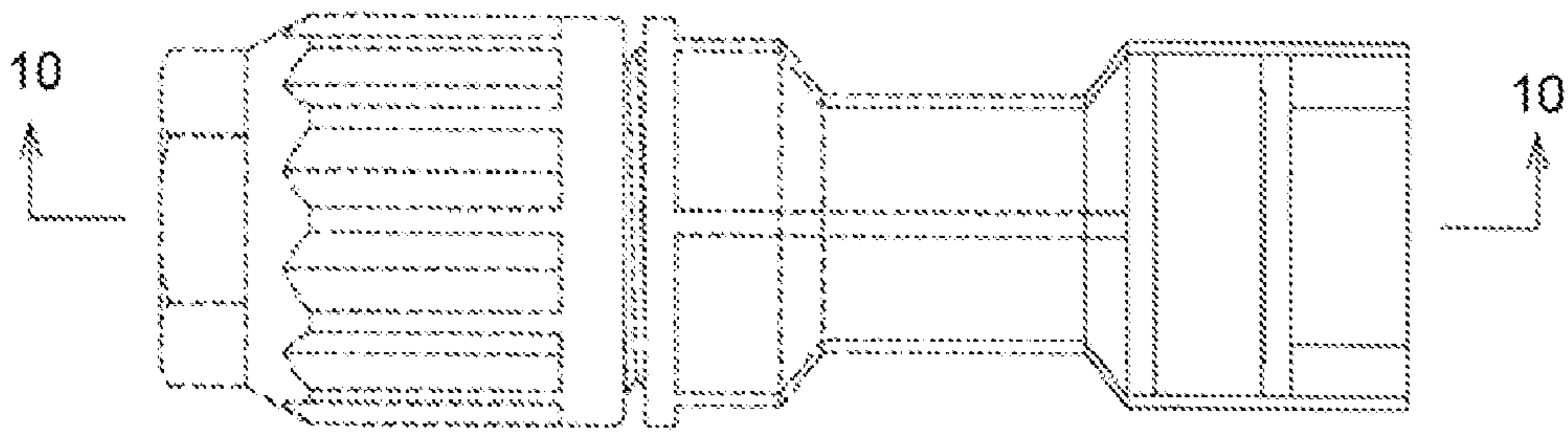


FIG. 4

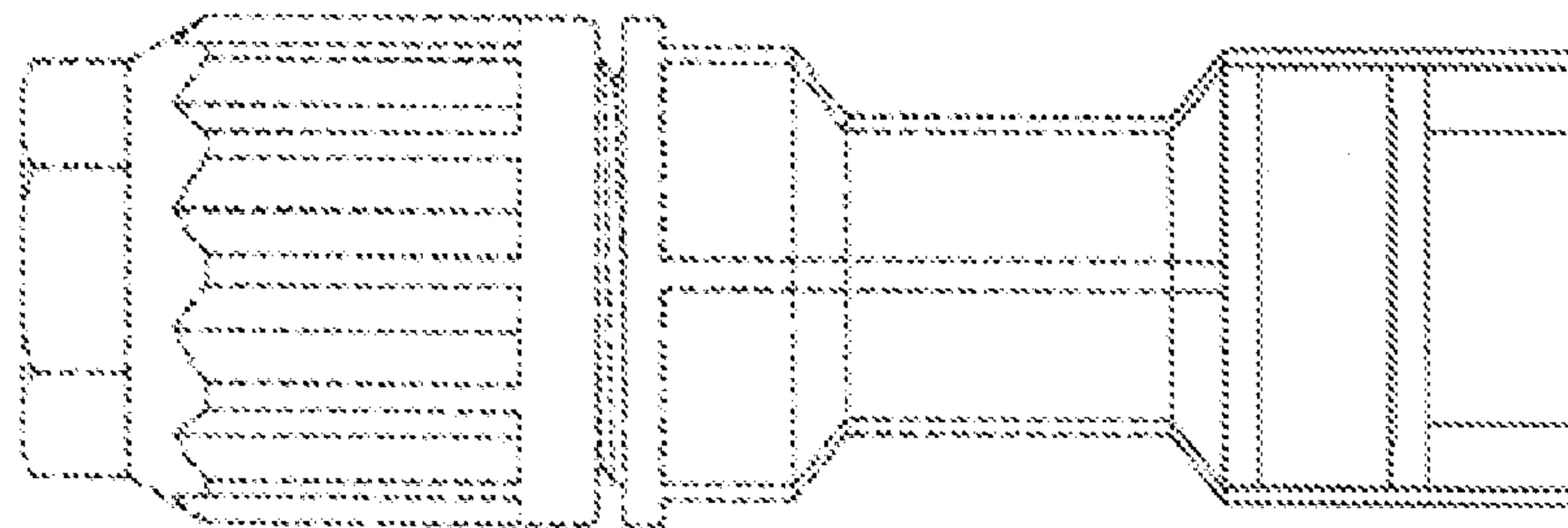


FIG. 5

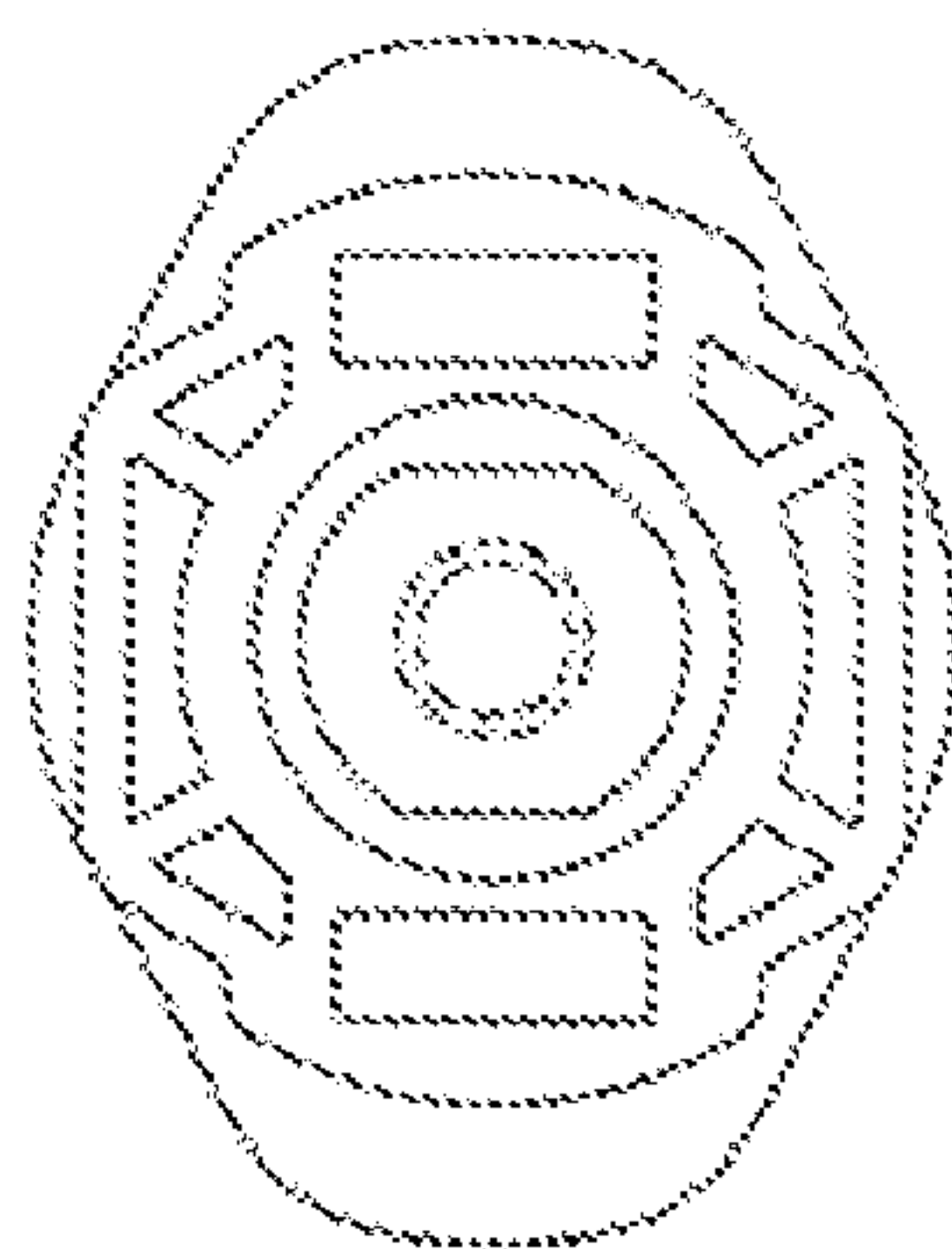


FIG. 6

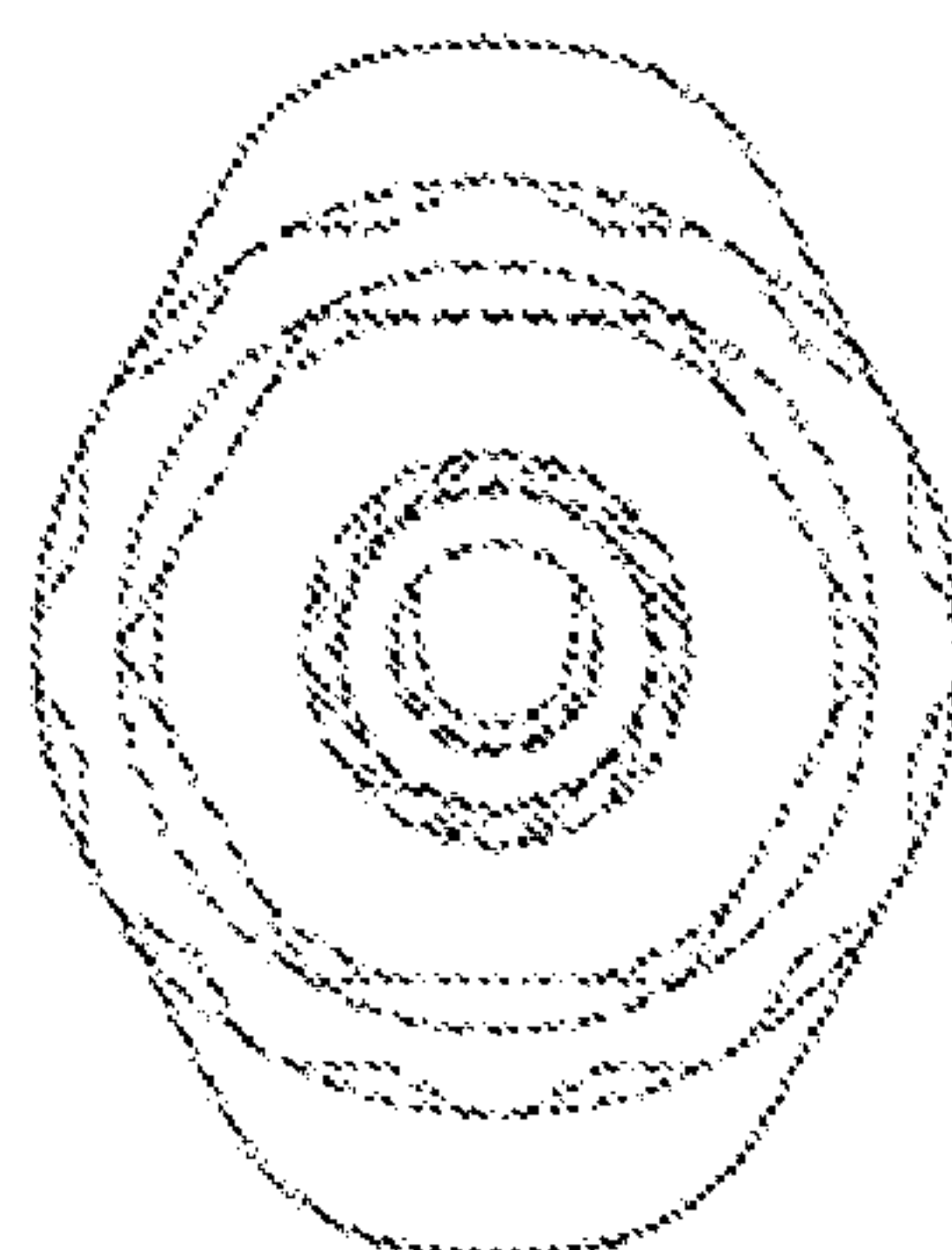


FIG. 7

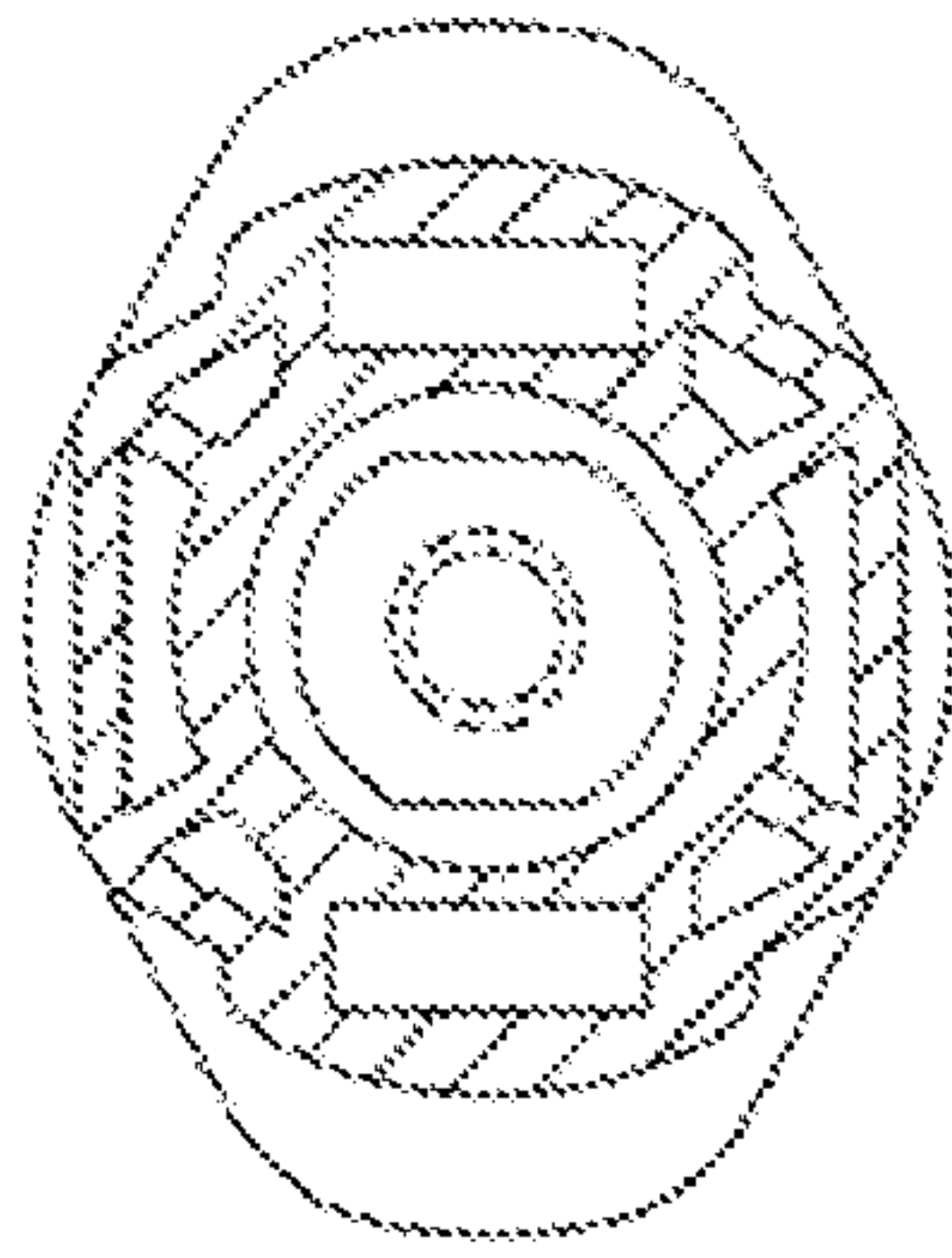


FIG. 8

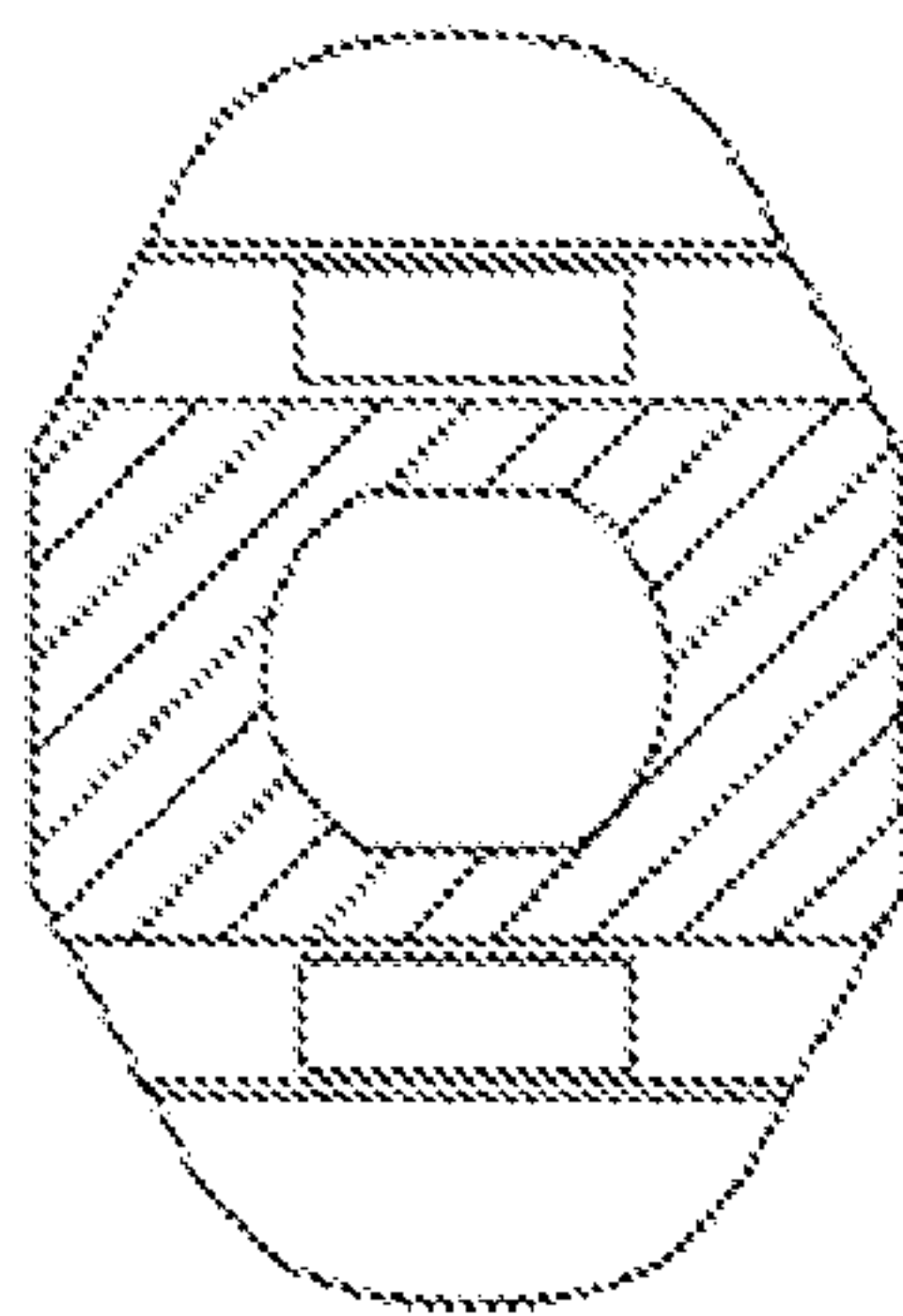


FIG. 9

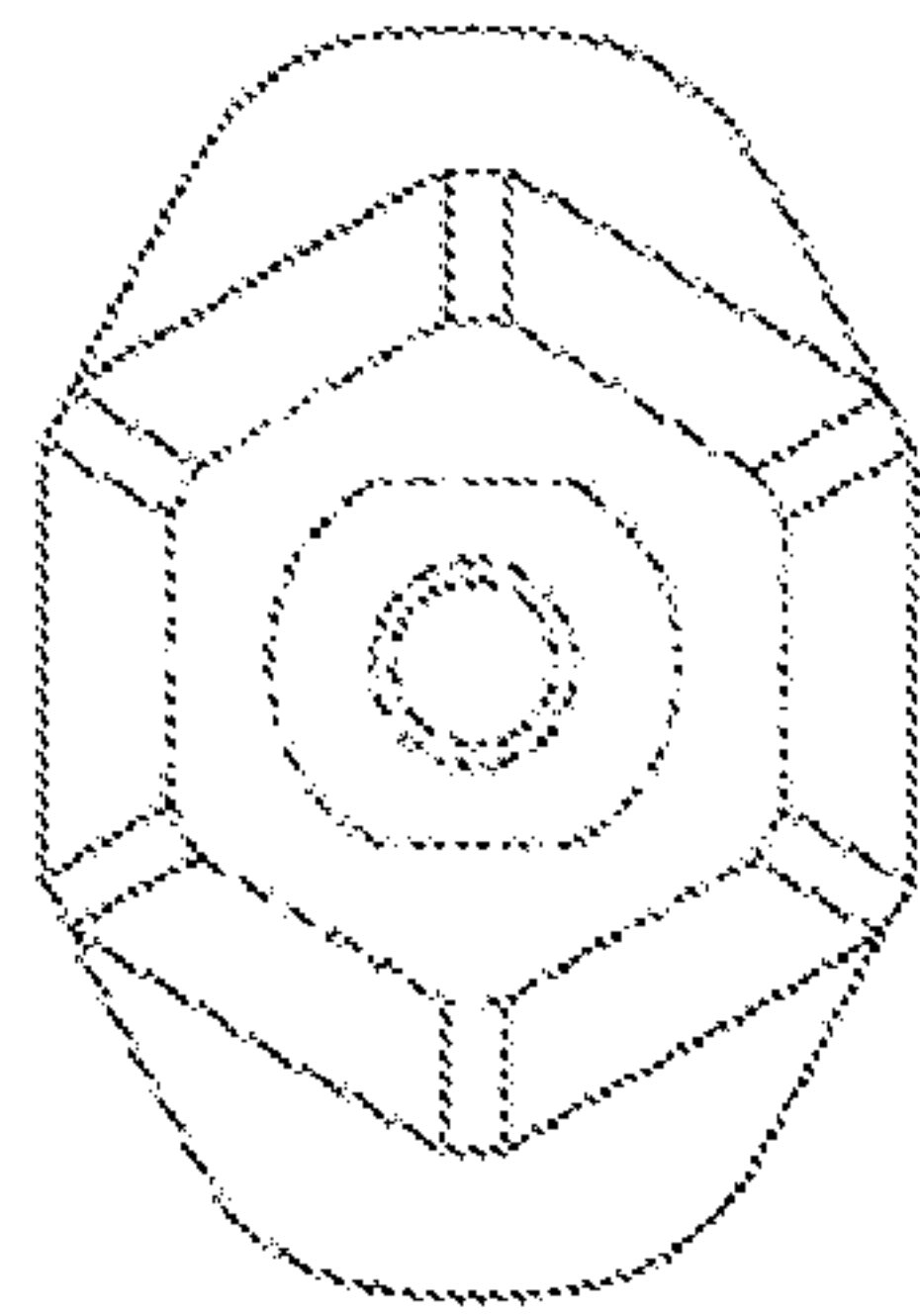


FIG. 10

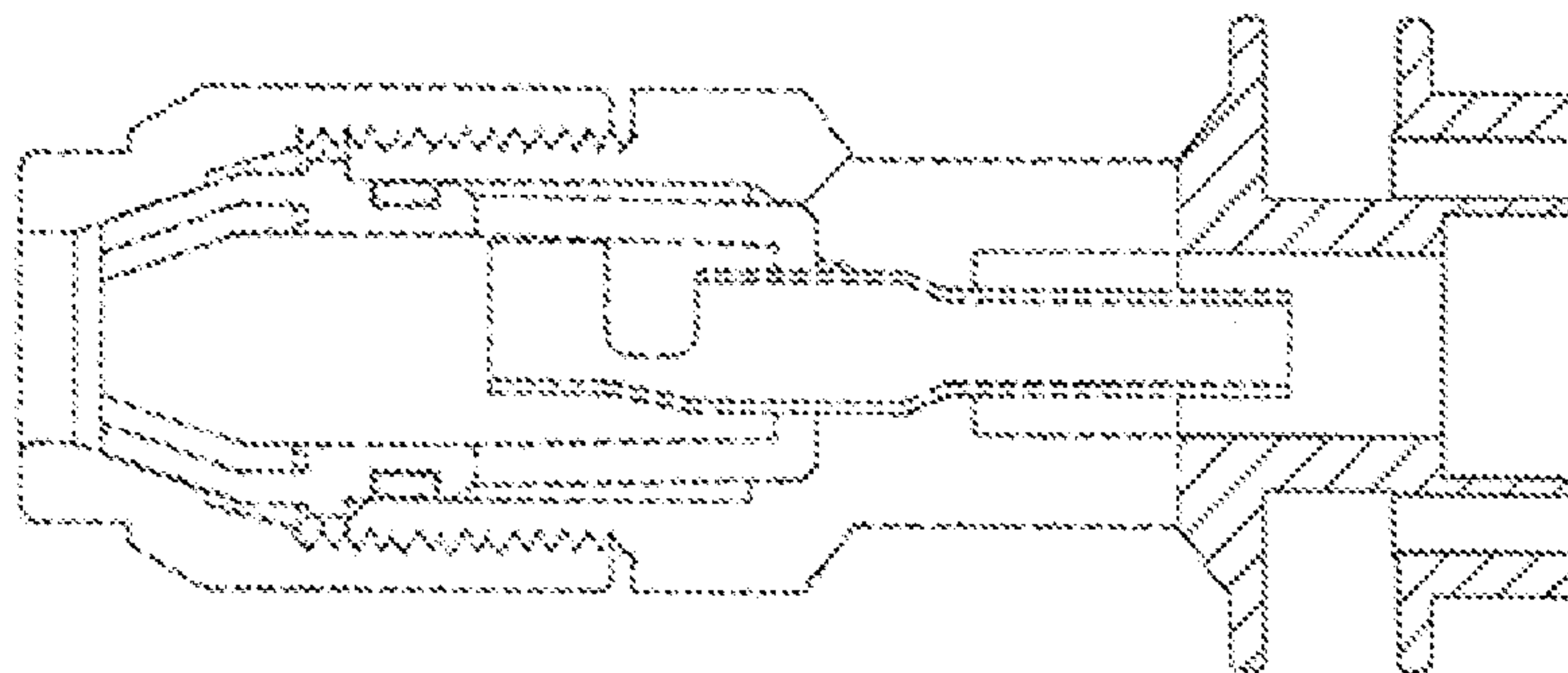


FIG. 11

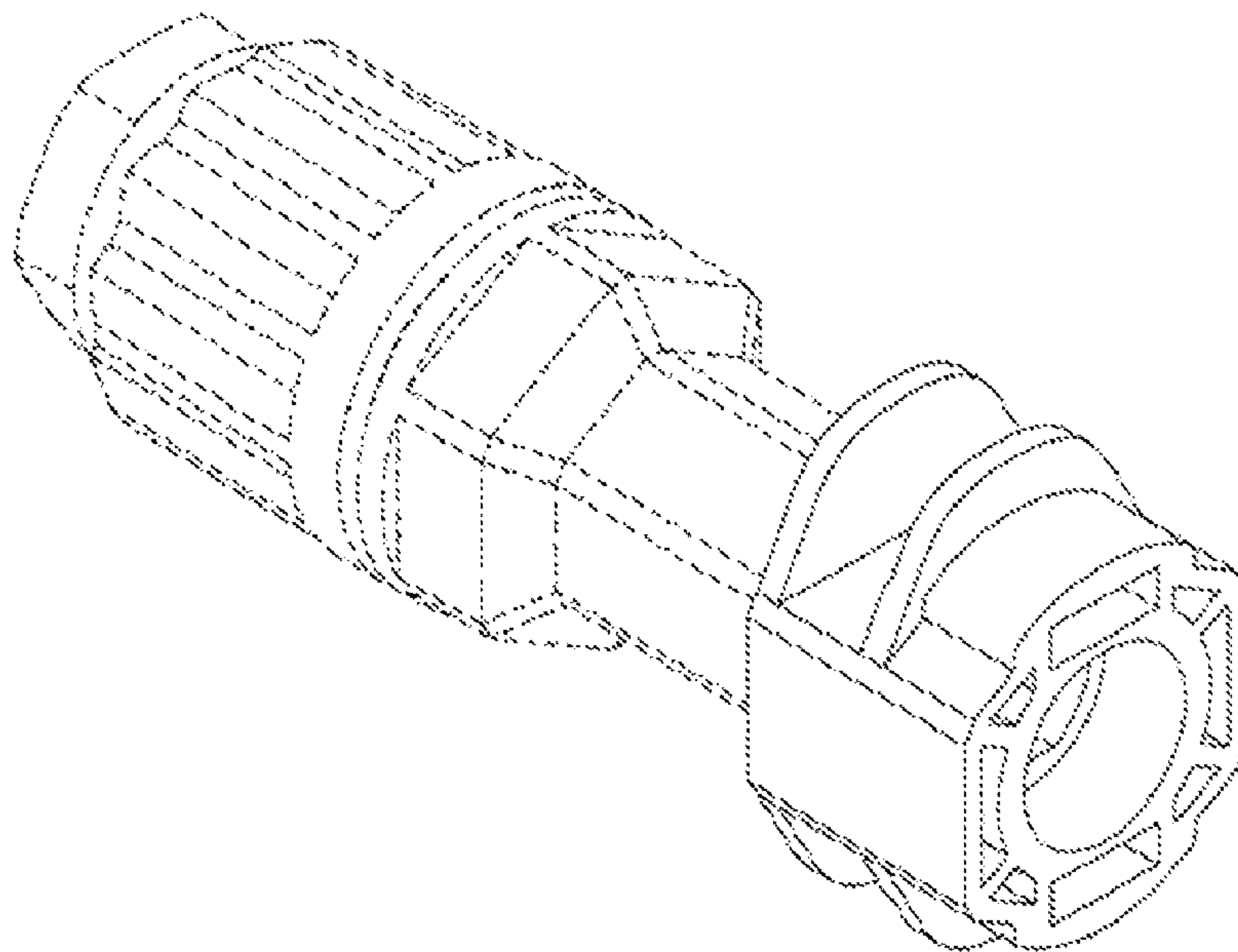


FIG. 12

