



US00D644999S

(12) **United States Design Patent**
Lee et al.

(10) **Patent No.:** **US D644,999 S**
(45) **Date of Patent:** **** Sep. 13, 2011**

(54) **CABLE CONNECTOR**
(75) Inventors: **Noel Lee**, Las Vegas, NV (US); **Jacky Hsiung**, San Jose, CA (US)
(73) Assignee: **Monster Cable Products, Inc.**, Brisbane, CA (US)
(**) Term: **14 Years**
(21) Appl. No.: **29/353,162**
(22) Filed: **Jan. 4, 2010**
(51) **LOC (9) Cl.** **13-03**
(52) **U.S. Cl.** **D13/154; D13/147**
(58) **Field of Classification Search** D13/133, D13/146-147, 153, 154, 184; 439/350, 447, 439/607.01, 607.04, 607.07, 607.08, 607.09, 439/607.11, 607.13, 607.14, 607.25, 607.31, 439/607.32, 607.36, 607.4, 607.46, 607.53, 439/660, 677, 680-682
See application file for complete search history.

D456,362 S 4/2002 Lee
6,406,313 B1 6/2002 Victor
D463,373 S 9/2002 Lee
D471,870 S 3/2003 Lee
D473,194 S 4/2003 Lee
6,644,993 B2 11/2003 Victor
D490,779 S 6/2004 Lee
D505,390 S 5/2005 Lee et al.
D511,501 S 11/2005 Lee et al.
D514,523 S 2/2006 Lee et al.
D515,508 S 2/2006 Lee
D517,497 S 3/2006 Lee
D549,174 S 8/2007 Lee et al.
D549,662 S 8/2007 Lee et al.
D553,568 S 10/2007 Lee et al.

(Continued)

OTHER PUBLICATIONS

U.S. Appl. No. 11/872,856, filed Oct. 16, 2007, Vern Smith.

(Continued)

Primary Examiner — Daniel Bui
(74) *Attorney, Agent, or Firm* — LaRiviere, Grubman & Payne, LLP

(56) **References Cited**

U.S. PATENT DOCUMENTS

5,529,513 A 6/1996 Lee
5,564,942 A 10/1996 Lee
D404,716 S 1/1999 Lee
D405,050 S 2/1999 Lee
D405,057 S 2/1999 Martin et al.
D407,378 S 3/1999 Lee
D412,314 S 7/1999 Lee
D415,101 S 10/1999 Martin
D415,111 S 10/1999 Lee
6,039,591 A 3/2000 Marsh et al.
D425,487 S 5/2000 Lee
6,129,568 A 10/2000 Mercurio et al.
D434,009 S 11/2000 Lee
6,176,716 B1 1/2001 Mercurio et al.
6,203,370 B1 3/2001 Lee
D448,006 S 9/2001 Lee
D450,296 S 11/2001 Lee
6,341,979 B1 1/2002 Yamamoto
D453,322 S 2/2002 Lee

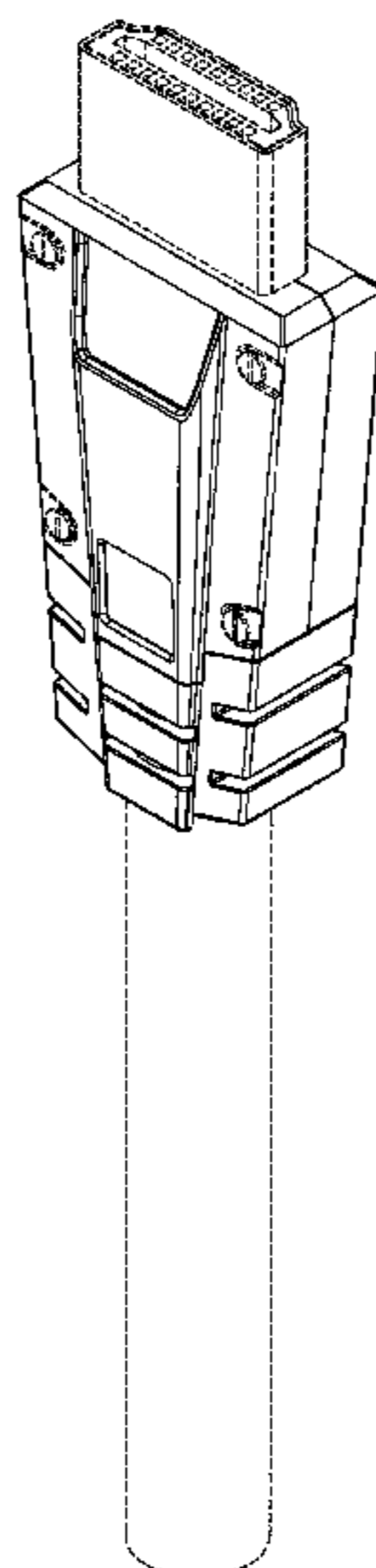
(57) **CLAIM**

The ornamental design for a cable connector, as shown and described.

DESCRIPTION

FIG. 1 is a perspective view of a cable connector, showing our design;
FIG. 2 is a front view thereof;
FIG. 3 is a rear view thereof;
FIG. 4 is a side view thereof;
FIG. 5 is an opposing side view thereof;
FIG. 6 is a top view thereof; and,
FIG. 7 is a bottom view thereof.
The broken lines showing the environment are for illustrative purposes only and form no part of the claimed design.

1 Claim, 3 Drawing Sheets



US D644,999 S

Page 2

U.S. PATENT DOCUMENTS

D563,872 S 3/2008 Lee et al.
D563,897 S 3/2008 Lee et al.
D563,898 S 3/2008 Lee et al.
D570,788 S 6/2008 Lee et al.
D570,789 S 6/2008 Lee et al.
D573,103 S 7/2008 Lee et al.
7,429,197 B2 9/2008 Weis
D584,238 S * 1/2009 Victor D13/156
D585,836 S * 2/2009 Lee et al. D13/154
7,484,990 B1 2/2009 Lee et al.
D588,546 S 3/2009 Lee et al.
D588,547 S 3/2009 Lee et al.

D588,548 S 3/2009 Lee et al.
D588,549 S 3/2009 Lee et al.
D592,149 S 5/2009 Lee et al.
D593,954 S 6/2009 Lee et al.
D599,742 S 9/2009 Hyncek et al.
D610,547 S * 2/2010 Zhao et al. D13/147
D621,790 S * 8/2010 Victor D13/156

OTHER PUBLICATIONS

U.S. Appl. No. 12/201,418, filed Aug. 29, 2008, Dan Hua, et al.
U.S. Appl. No. 12/210,645, filed Aug. 29, 2008, David Leung, et al.

* cited by examiner

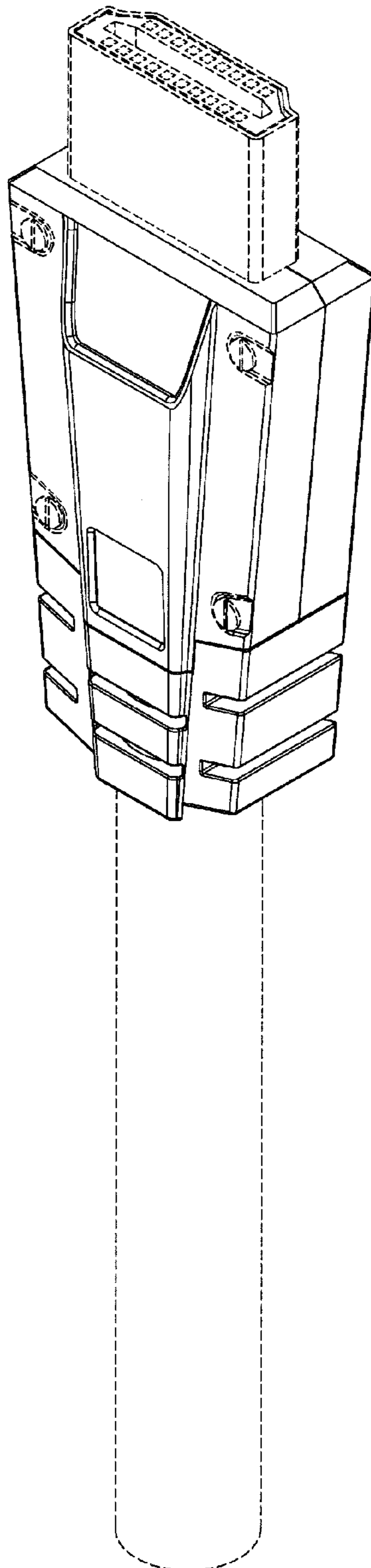


Figure 1

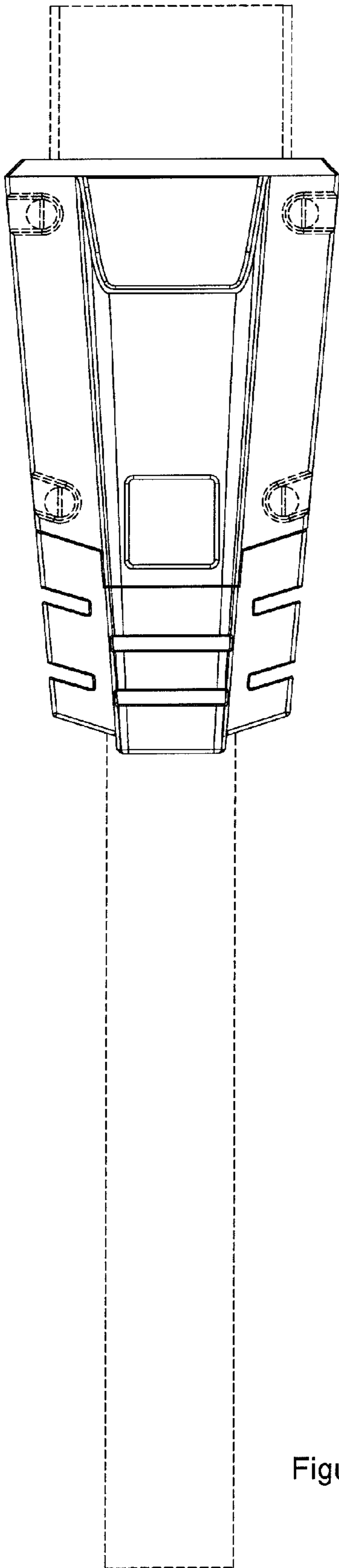


Figure 2

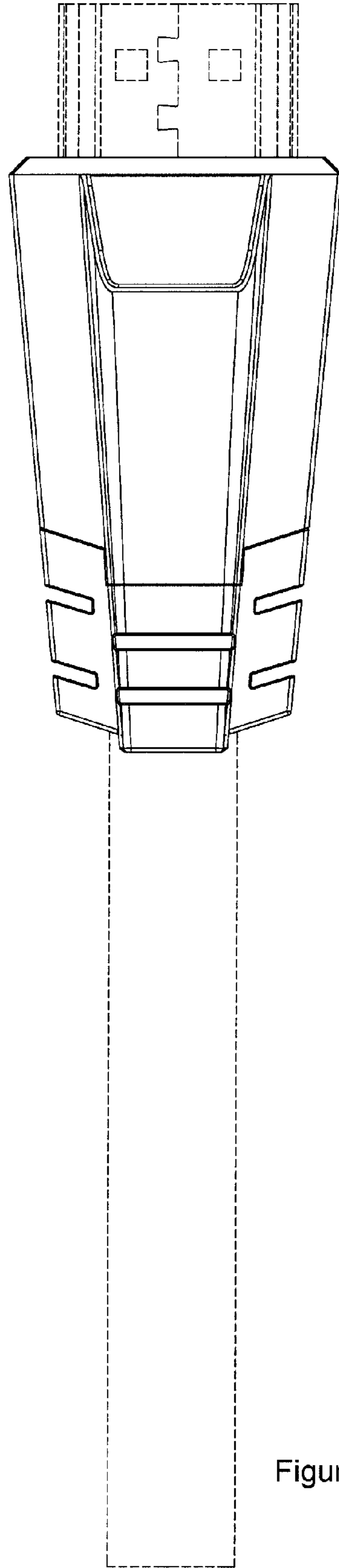


Figure 3

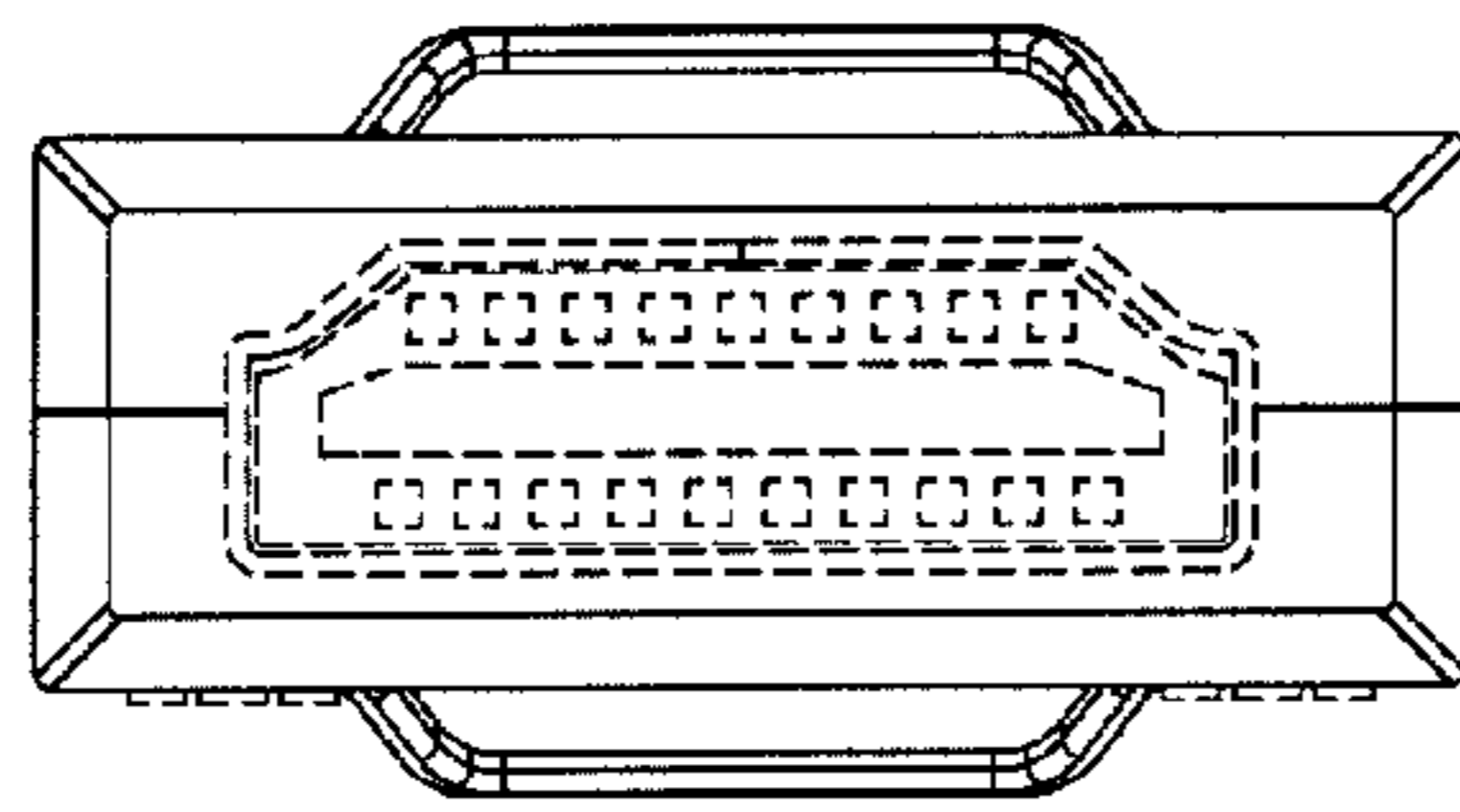
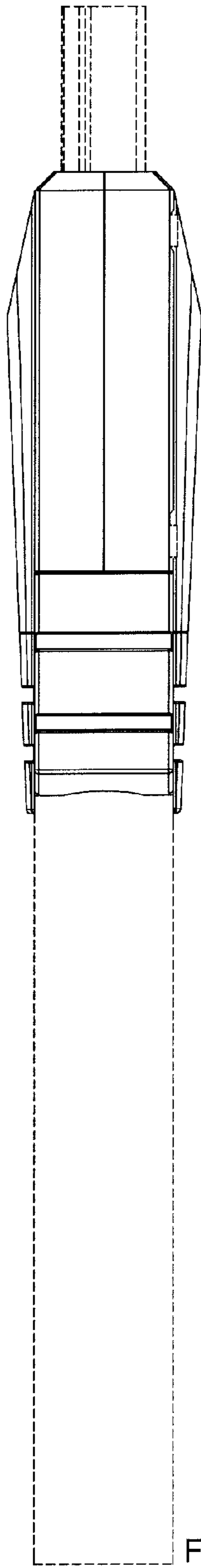


Figure 6

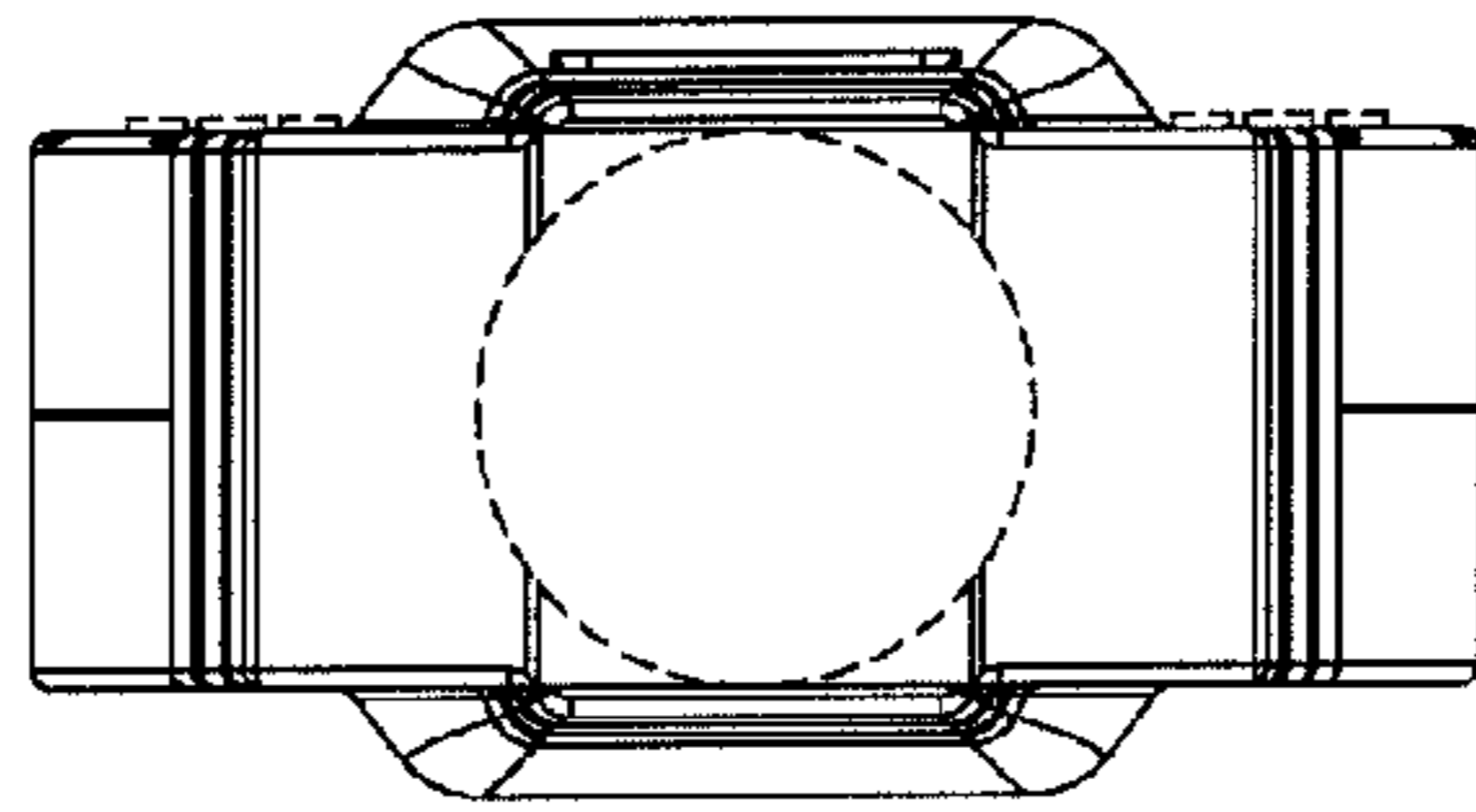


Figure 7

