

US00D644997S

(12) **United States Design Patent**
Su et al.

(10) **Patent No.:** **US D644,997 S**

(45) **Date of Patent:** **** Sep. 13, 2011**

(54) **CARD CONNECTOR**

(75) Inventors: **Yu-Hung Su**, Taipei (TW); **Yao-Ting Wang**, Taipei (TW)

(73) Assignee: **Cheng Uei Precision Industry Co., Ltd.**, New Taipei (TW)

(**) Term: **14 Years**

(21) Appl. No.: **29/382,080**

(22) Filed: **Dec. 29, 2010**

(51) **LOC (9) Cl.** **13-03**

(52) **U.S. Cl.** **D13/147**

(58) **Field of Classification Search** D13/120,
D13/147, 154, 184, 199; D14/432, 433,
D14/435, 436, 438; 439/64, 79, 159-160,
439/330, 331, 341, 342, 660, 607.01, 607.04,
439/607.07, 607.08, 607.09, 607.11, 607.13,
439/607.14, 607.25, 607.31, 607.32, 607.36,
439/607.4, 607.46, 607.53, 629-630, 636,
439/773, 860, 946

See application file for complete search history.

(56) **References Cited**

U.S. PATENT DOCUMENTS

D535,258 S * 1/2007 Sasaki D13/147
D566,655 S * 4/2008 Chen et al. D13/147
D571,300 S * 6/2008 Wu D13/147

D589,454 S * 3/2009 Gao et al. D13/147
D592,144 S * 5/2009 Lai et al. D13/147
7,699,661 B2 * 4/2010 Wu 439/630

* cited by examiner

Primary Examiner — Daniel Bui

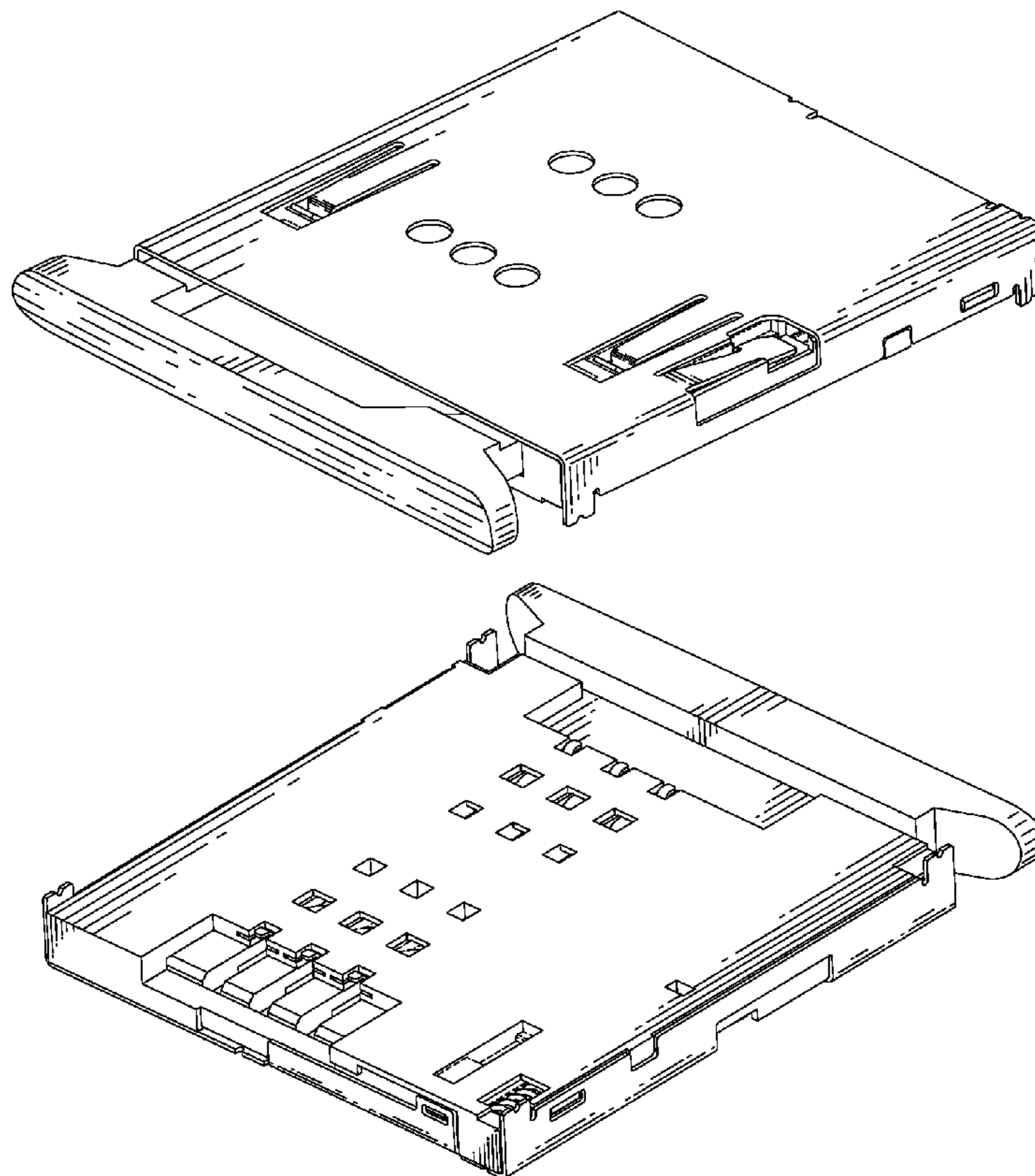
(57) **CLAIM**

The ornamental design for a card connector, as shown and described.

DESCRIPTION

FIG. 1 is a perspective view of a card connector showing our new design;
FIG. 2 is a front elevational view thereof;
FIG. 3 is a rear elevational view thereof;
FIG. 4 is a left side elevational view thereof;
FIG. 5 is a right side elevational view thereof;
FIG. 6 is a top plan view thereof; and
FIG. 7 is a bottom plan view thereof;
FIG. 8 is another perspective view of the card connector showing my new design; and,
FIG. 9 is a perspective view showing the card connector in an opening state.
The broken line portion of the figure drawings is included to show unclaimed subject matter only and forms no part of the claimed design.

1 Claim, 9 Drawing Sheets



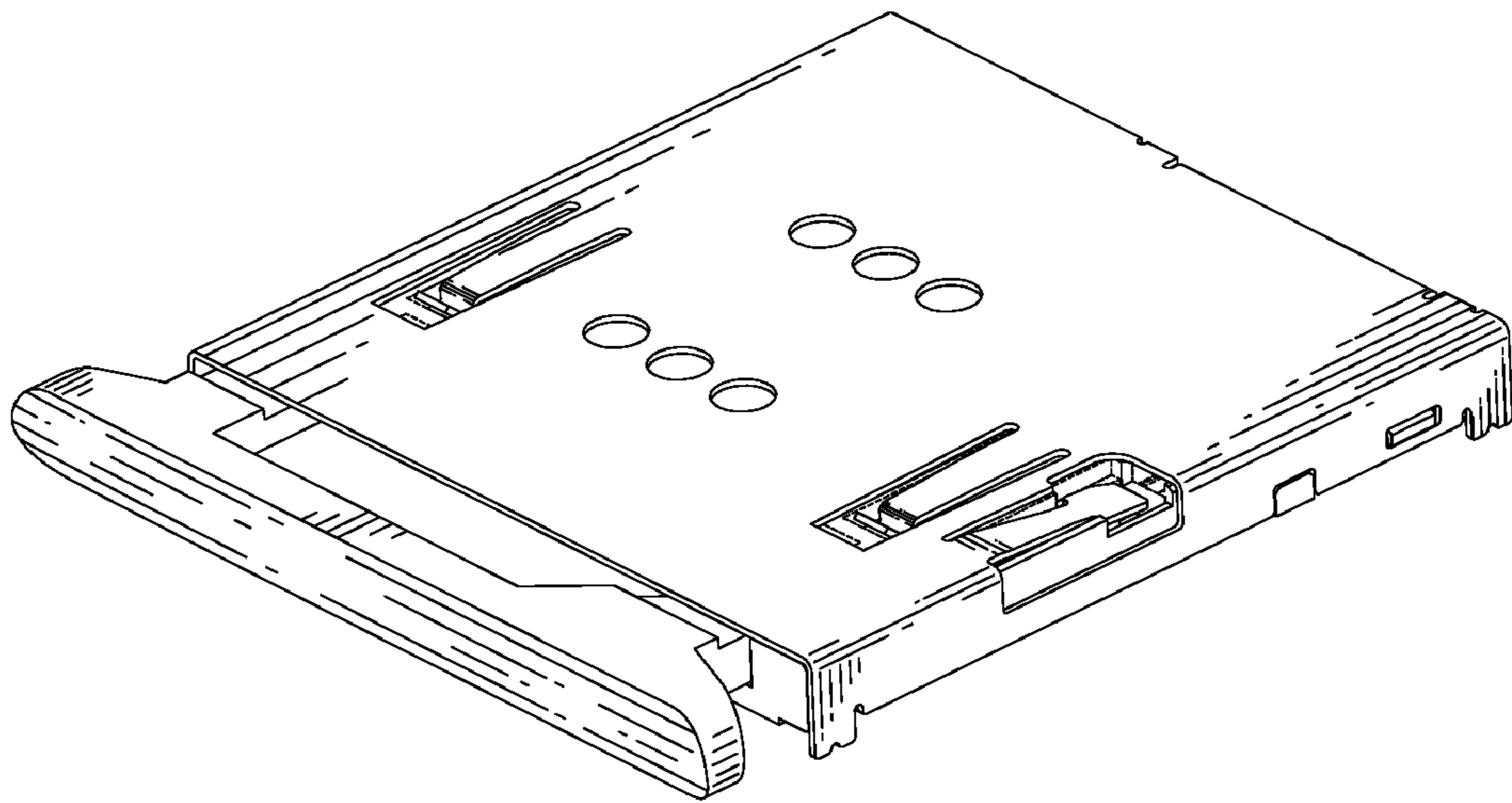


FIG. 1

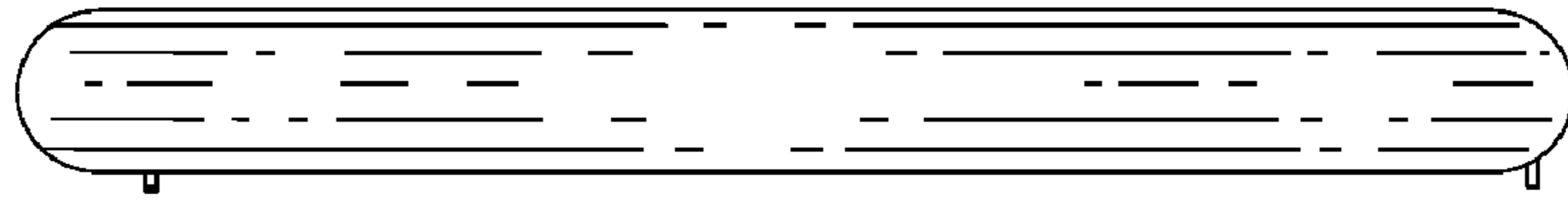


FIG. 2

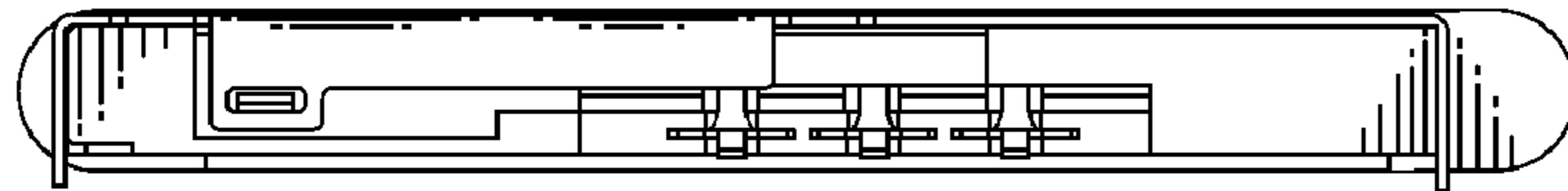


FIG. 3

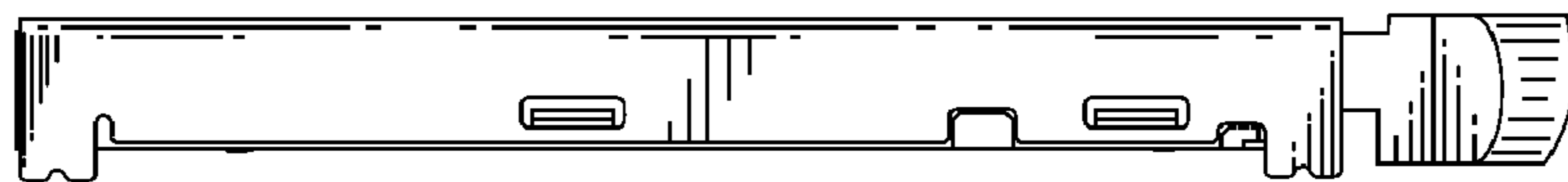


FIG. 4

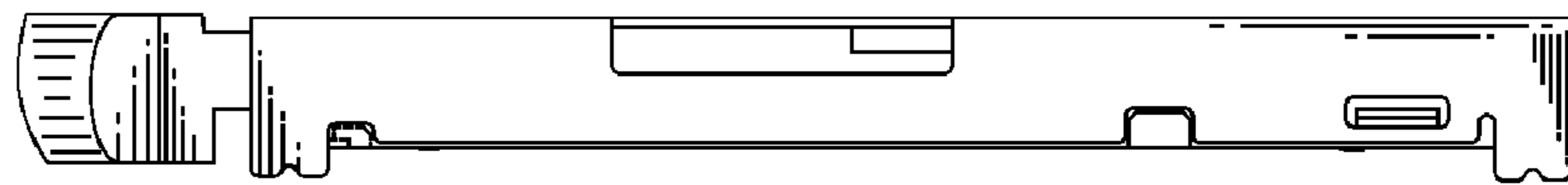


FIG. 5

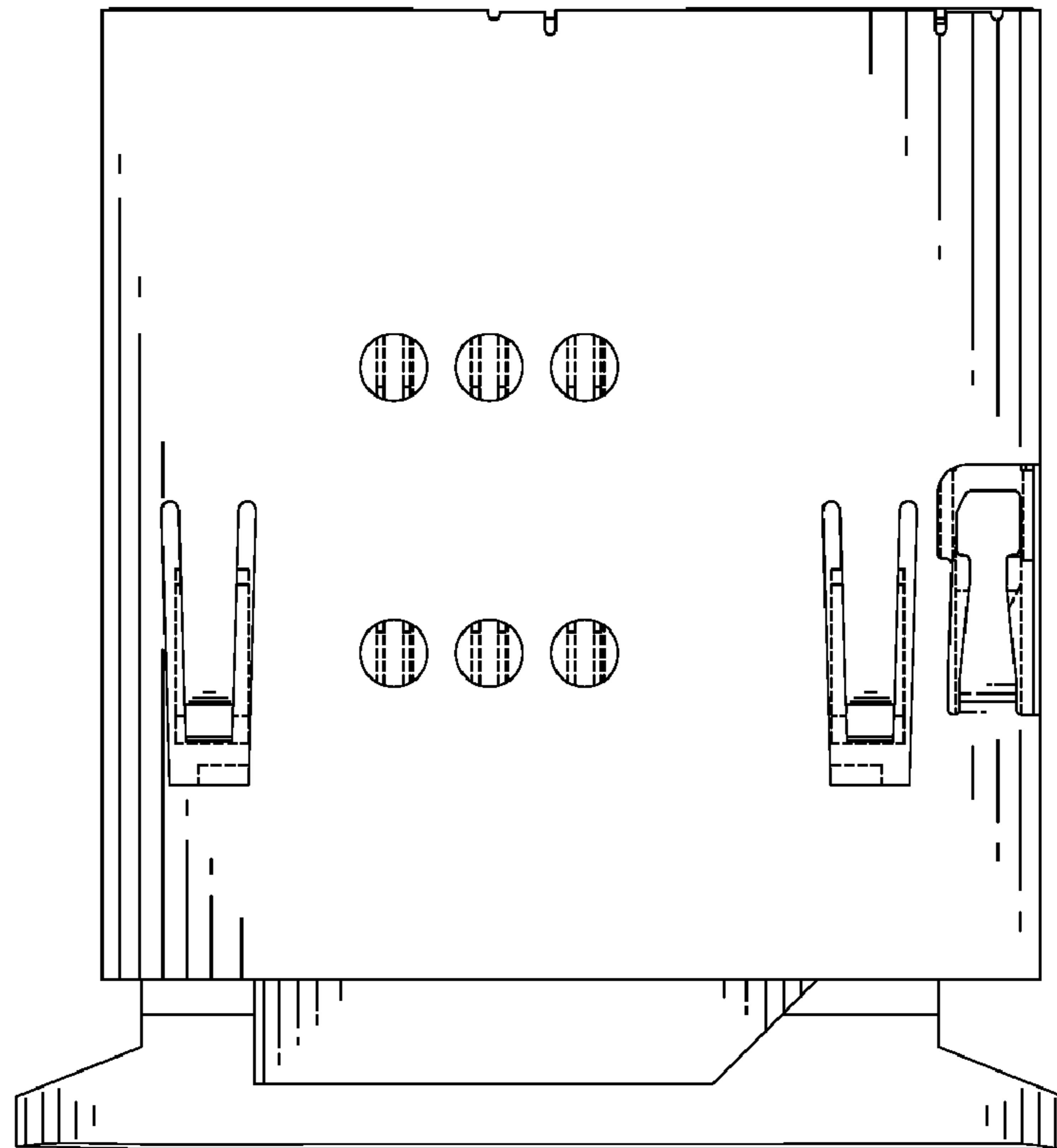


FIG. 6

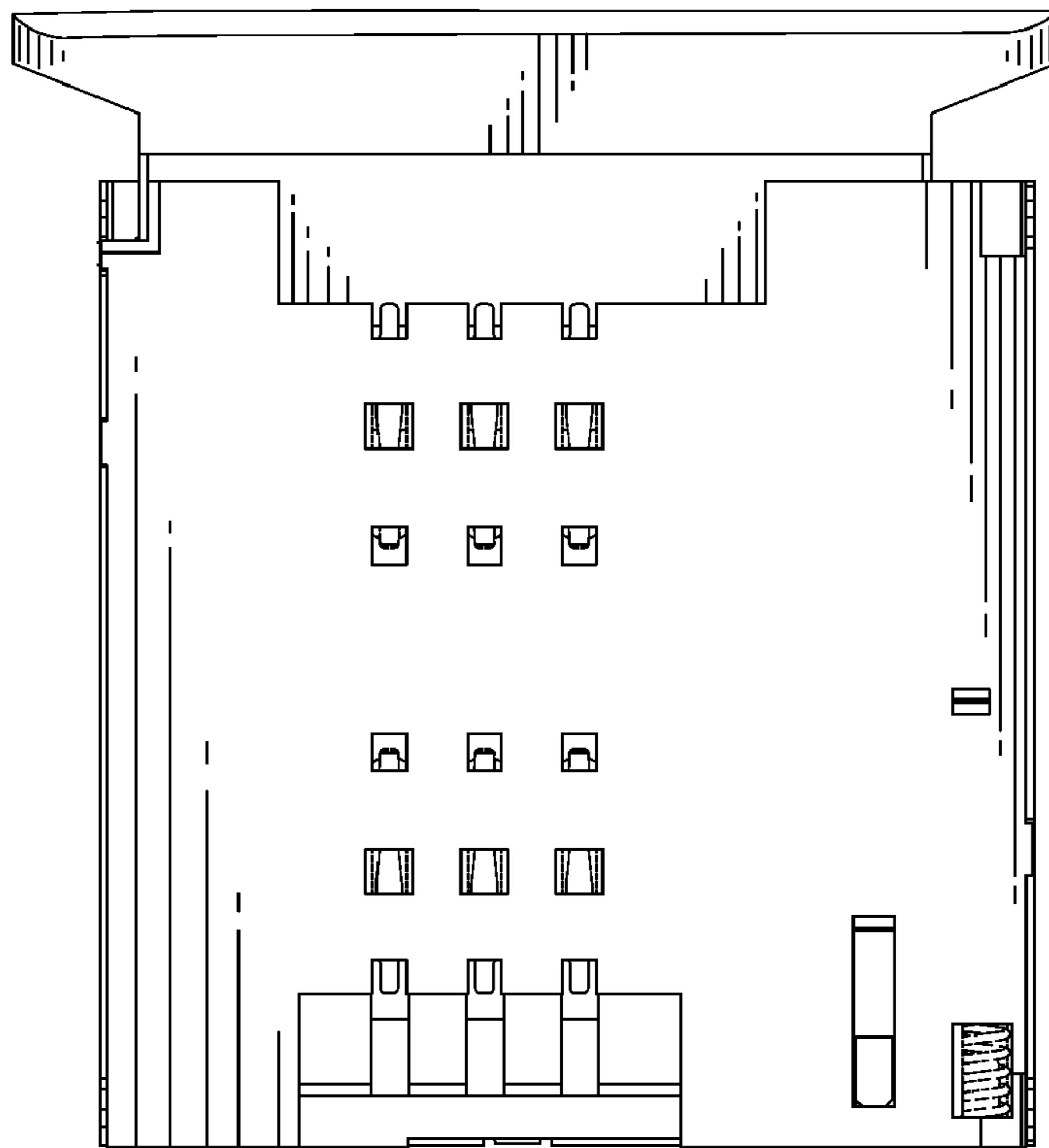


FIG. 7

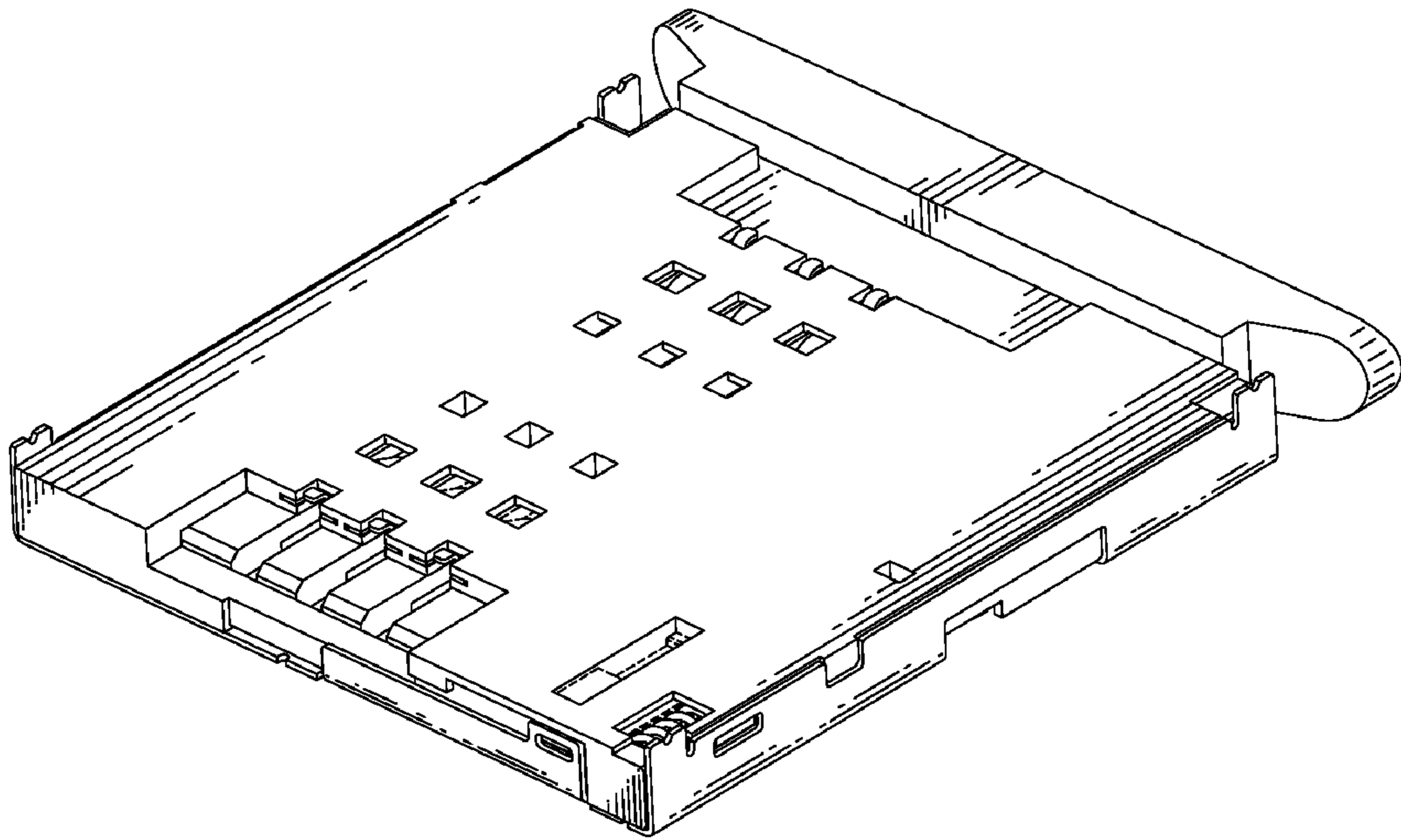


FIG. 8

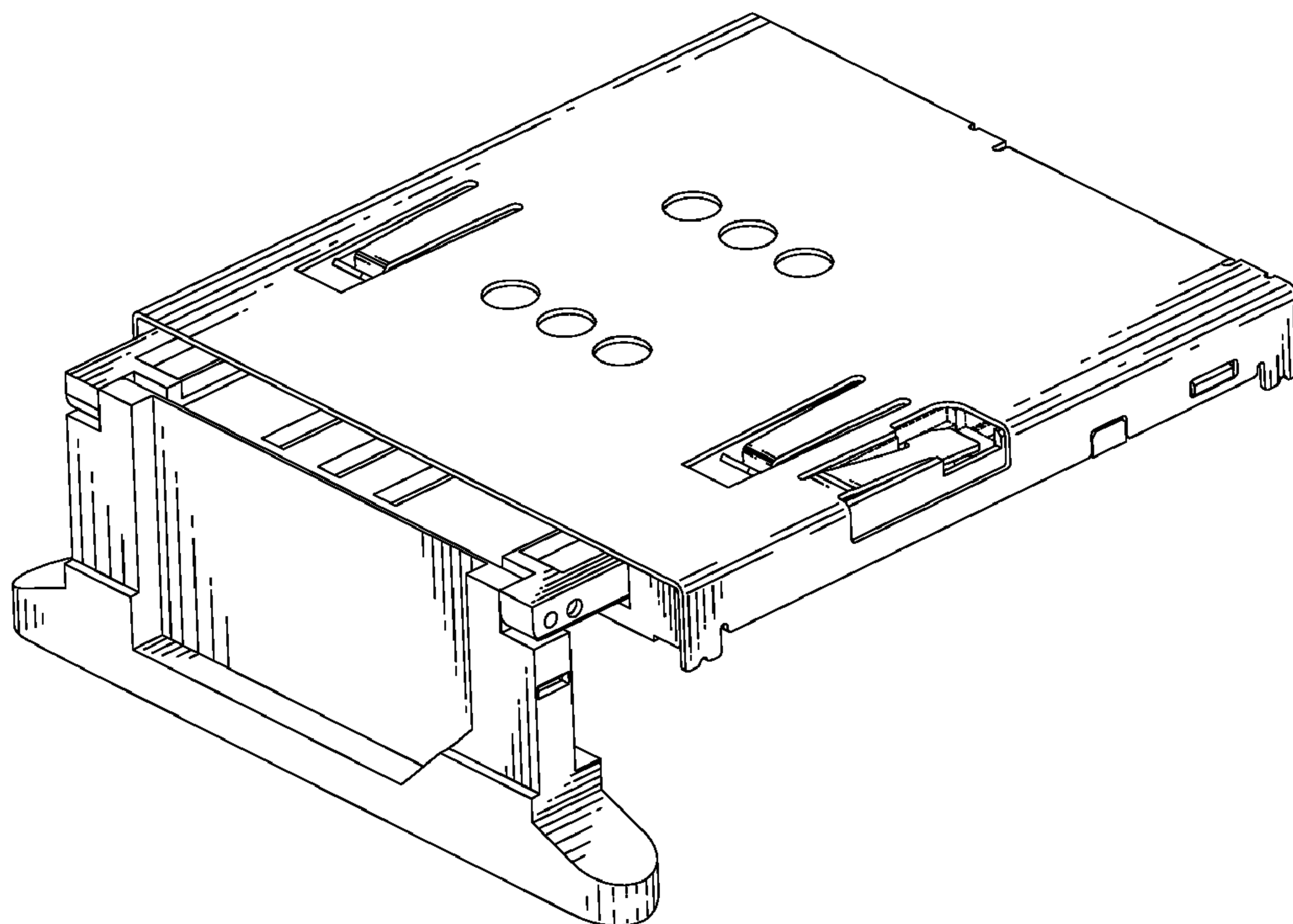


FIG. 9