



US00D644996S

(12) **United States Design Patent**
Hsu et al.

(10) **Patent No.:** **US D644,996 S**
(45) **Date of Patent:** **** *Sep. 13, 2011**

(54) **RECEPTACLE CONNECTOR**

(75) Inventors: **Ya-Hui Hsu**, Tu-Cheng (TW);
Hung-Chi Wang, Tu-Cheng (TW);
Mei-Chuan Yang, Tu-Cheng (TW)

(73) Assignee: **Cheng UEI Precision Industry Co., Ltd.**, Tu-Cheng, Taipei Hsien (TW)

(*) Notice: This patent is subject to a terminal disclaimer.

(**) Term: **14 Years**

(21) Appl. No.: **29/367,885**

(22) Filed: **Aug. 13, 2010**

(51) **LOC (9) Cl.** **13-03**

(52) **U.S. Cl.** **D13/147**

(58) **Field of Classification Search** D13/133,
D13/146-147, 153, 154, 156, 184; 439/79,
439/83, 108, 181, 607.01, 607.04, 607.05,
439/607.17, 607.25, 607.34, 607.41, 607.53,
439/637, 638, 639, 660, 668, 676, 680, 712,
439/716

See application file for complete search history.

(56) **References Cited**

U.S. PATENT DOCUMENTS

D408,788	S	*	4/1999	Homma	D13/147
D416,863	S	*	11/1999	Sato et al.	D13/147
D431,531	S	*	10/2000	Chih	D13/147
D519,461	S	*	4/2006	Su	D13/147
D591,686	S	*	5/2009	Chiang	D13/147
D617,738	S	*	6/2010	Chen et al.	D13/147

* cited by examiner

Primary Examiner — Daniel Bui

(74) *Attorney, Agent, or Firm* — Cheng-Ju Chiang

(57) **CLAIM**

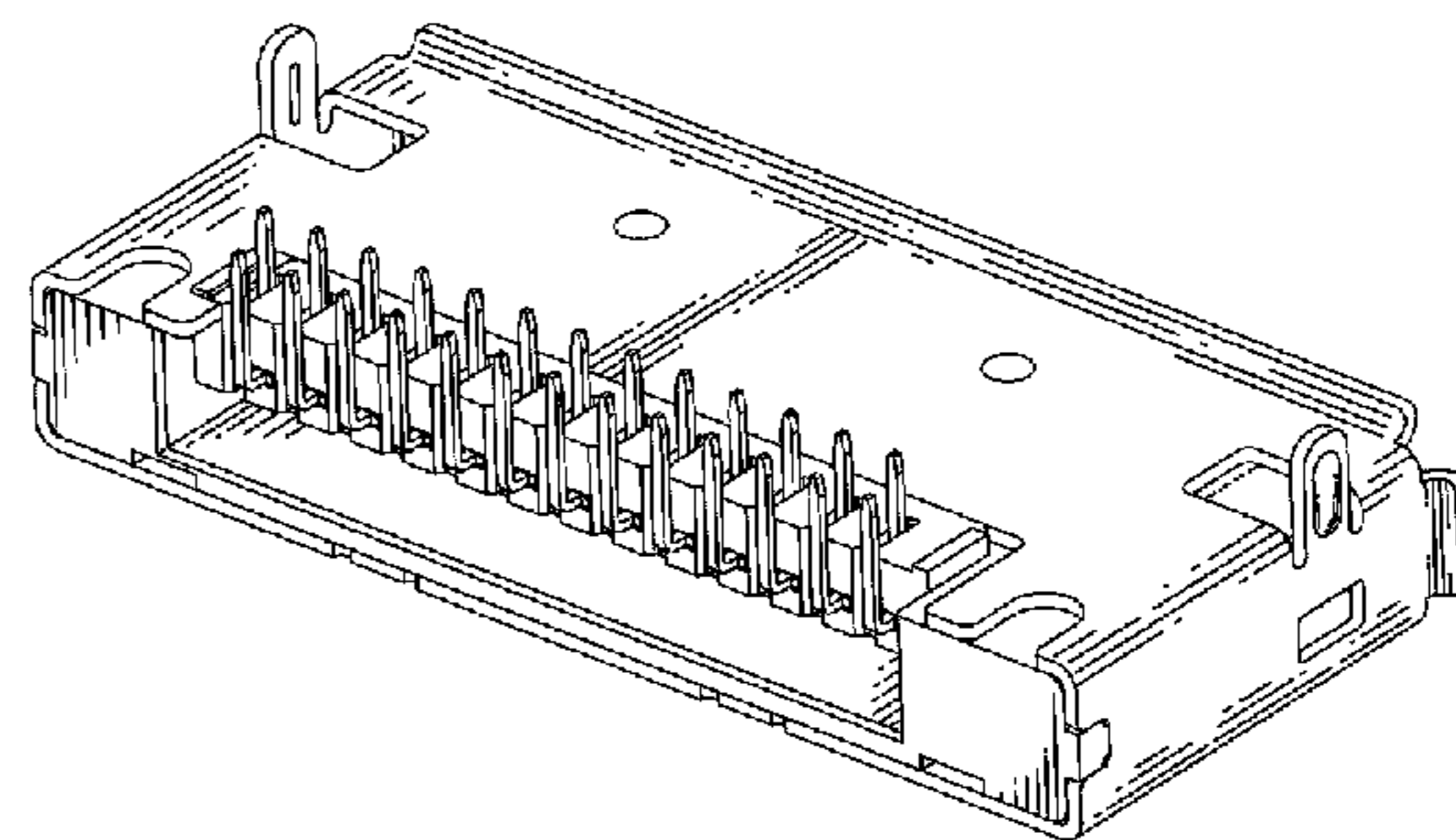
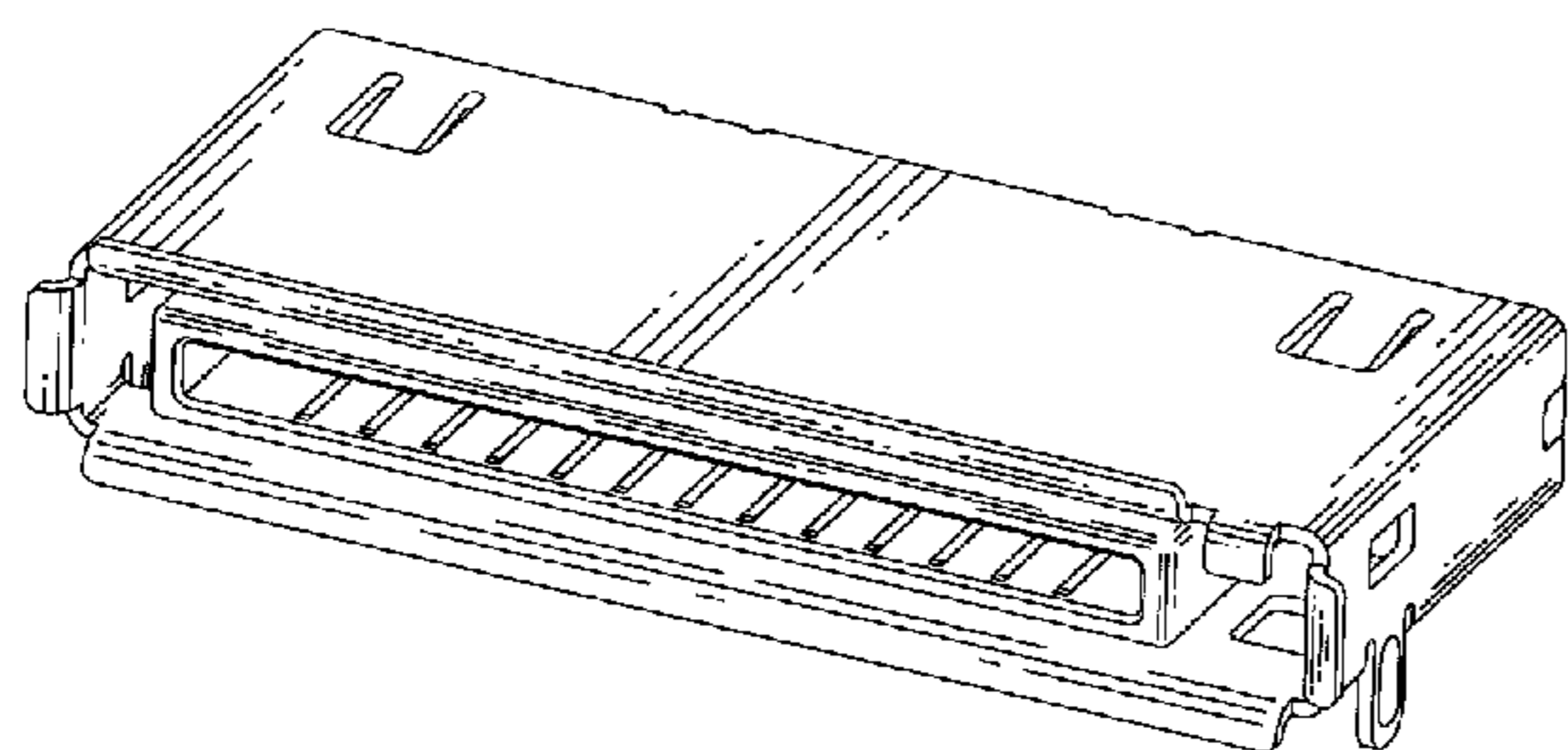
The ornamental design for a receptacle connector, as shown and described.

DESCRIPTION

FIG. 1 is a perspective view of a receptacle connector showing our new design;
FIG. 2 is a front elevational view thereof;
FIG. 3 is a rear elevational view thereof;
FIG. 4 is a left side elevational view thereof;
FIG. 5 is a right side elevational view thereof;
FIG. 6 is a top plan view thereof;
FIG. 7 is a bottom plan view thereof; and,
FIG. 8 is another perspective view of the receptacle connector showing our new design.

The broken line portion of the figure drawings is included to show unclaimed subject matter only and forms no part of the claimed design.

1 Claim, 8 Drawing Sheets



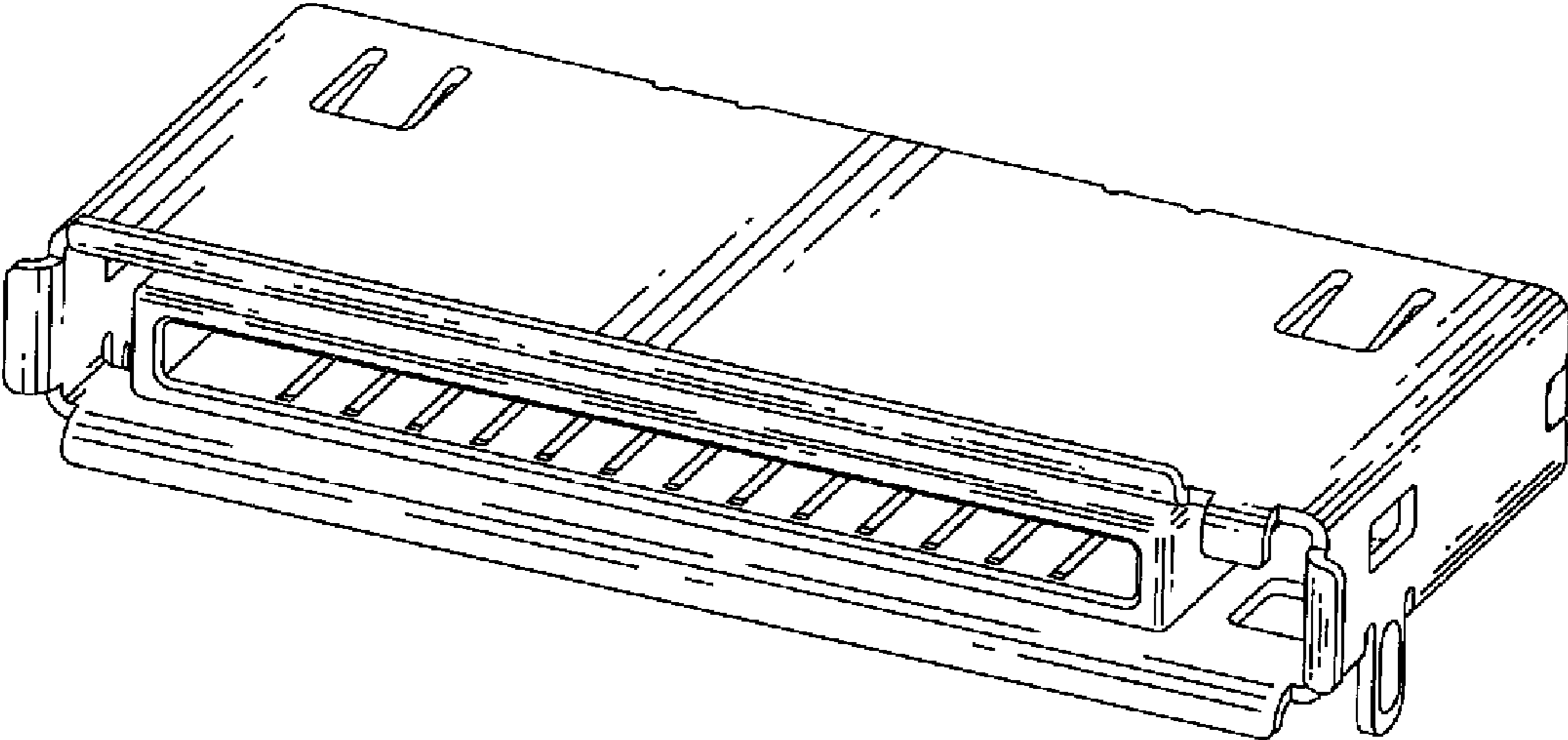


FIG. 1

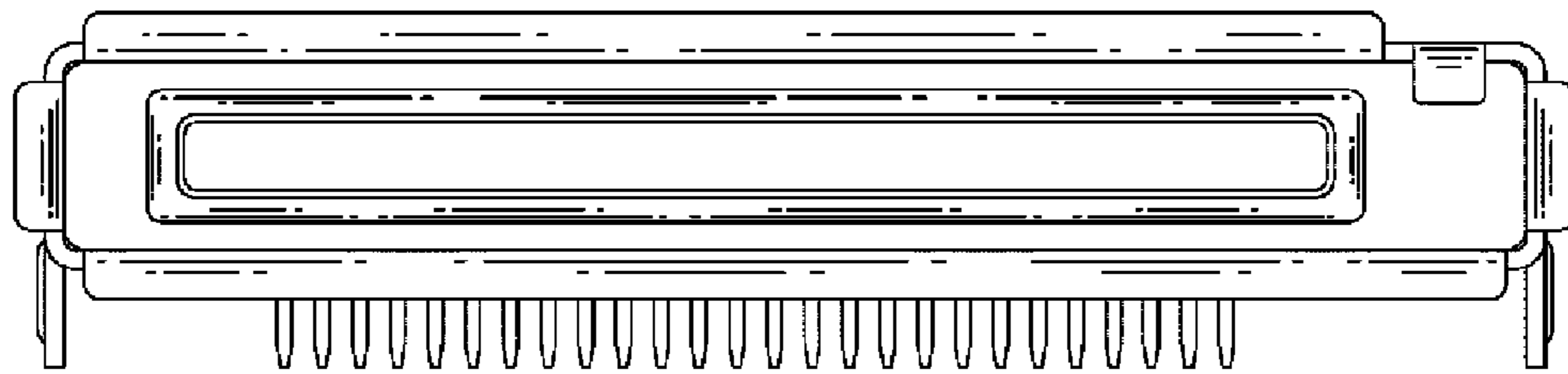


FIG. 2

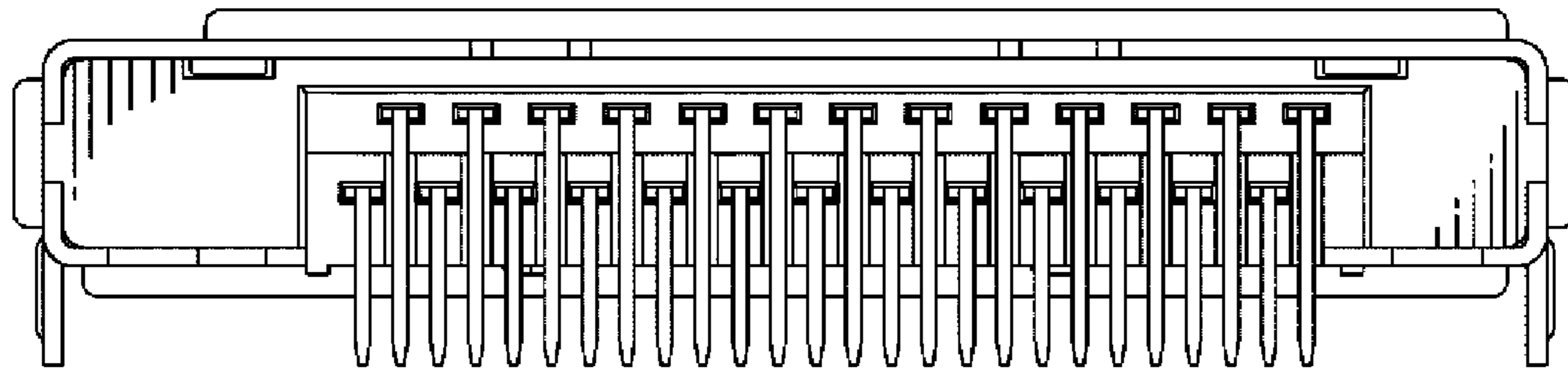


FIG. 3

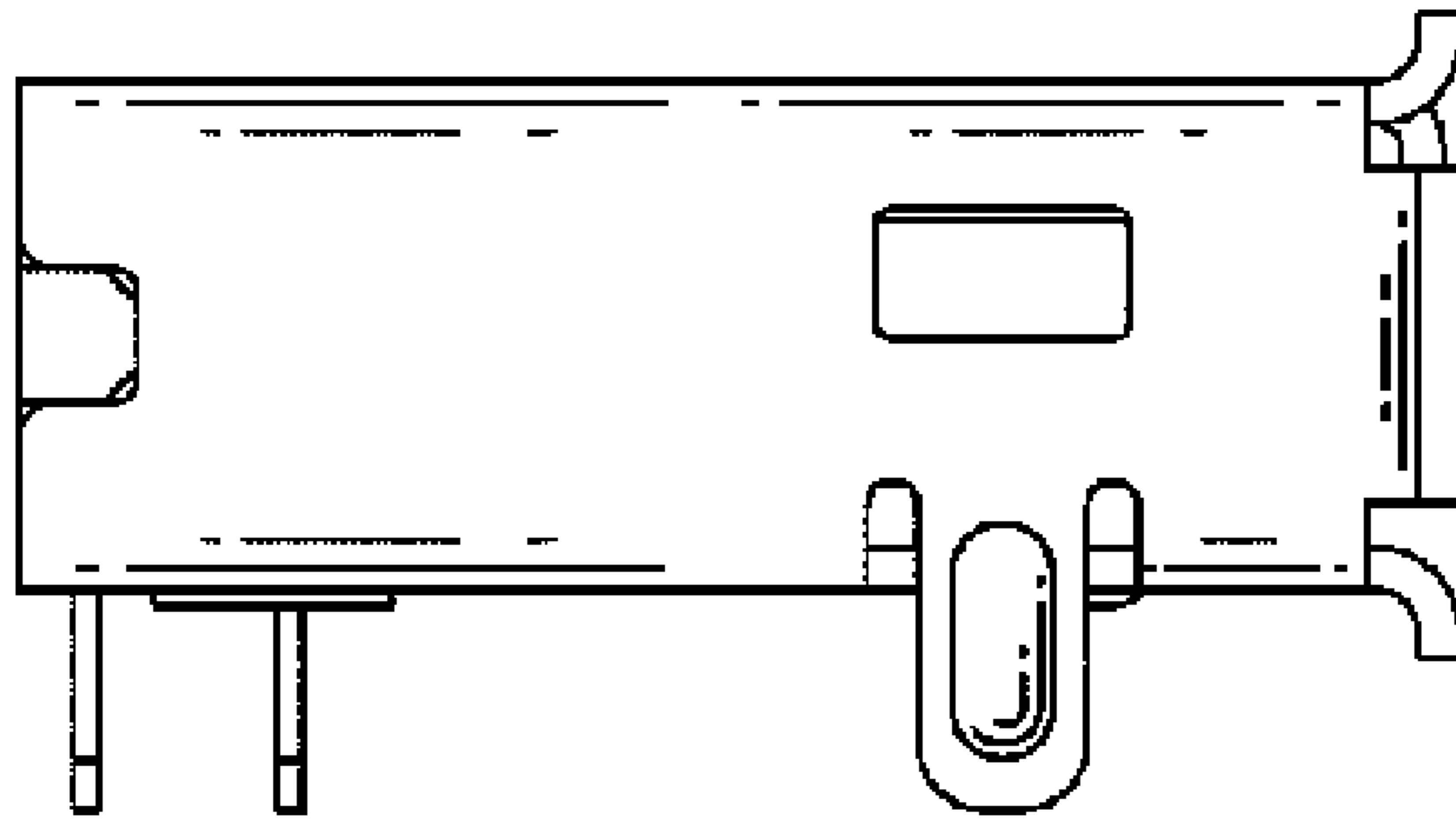


FIG. 4

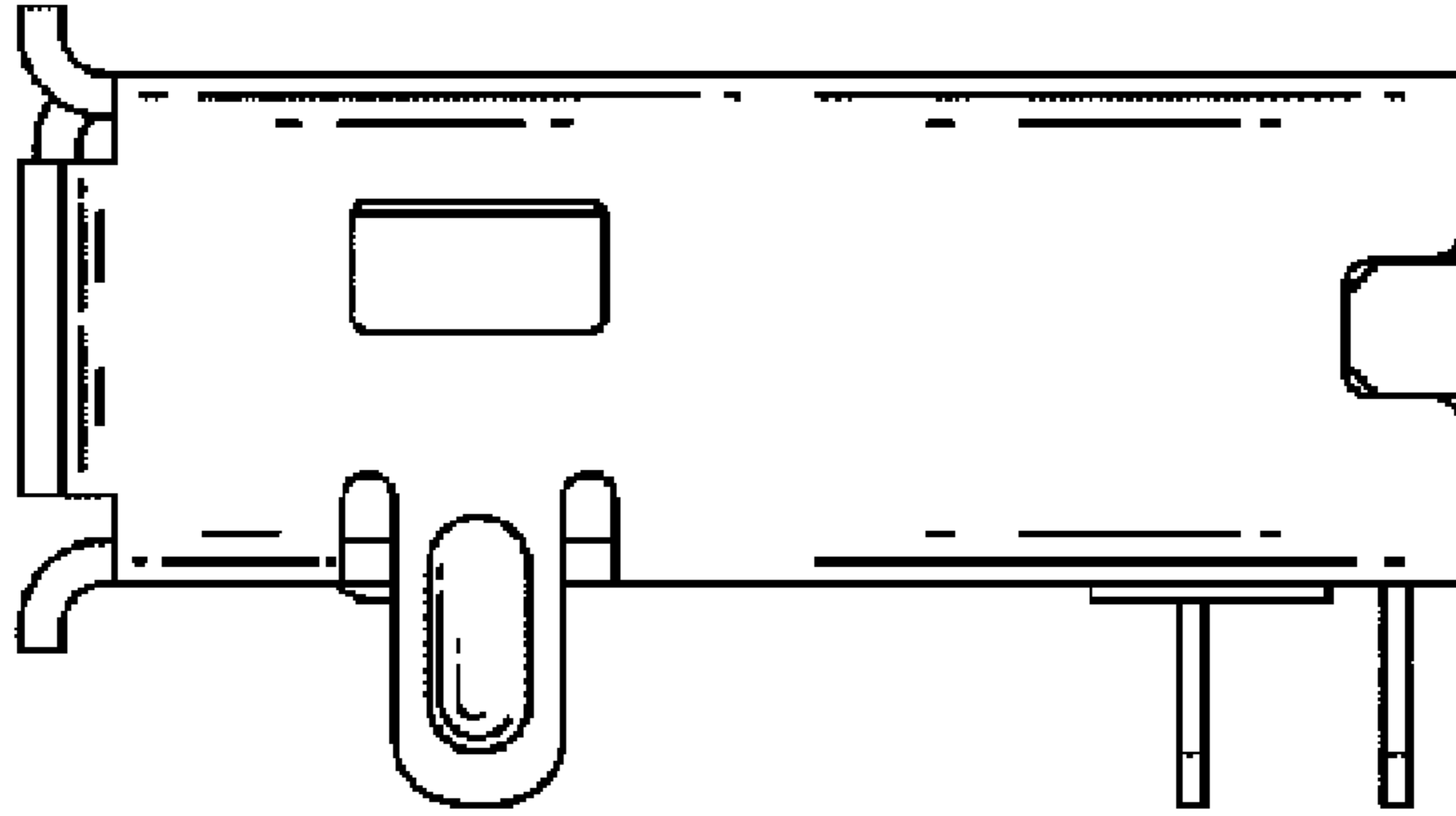


FIG. 5

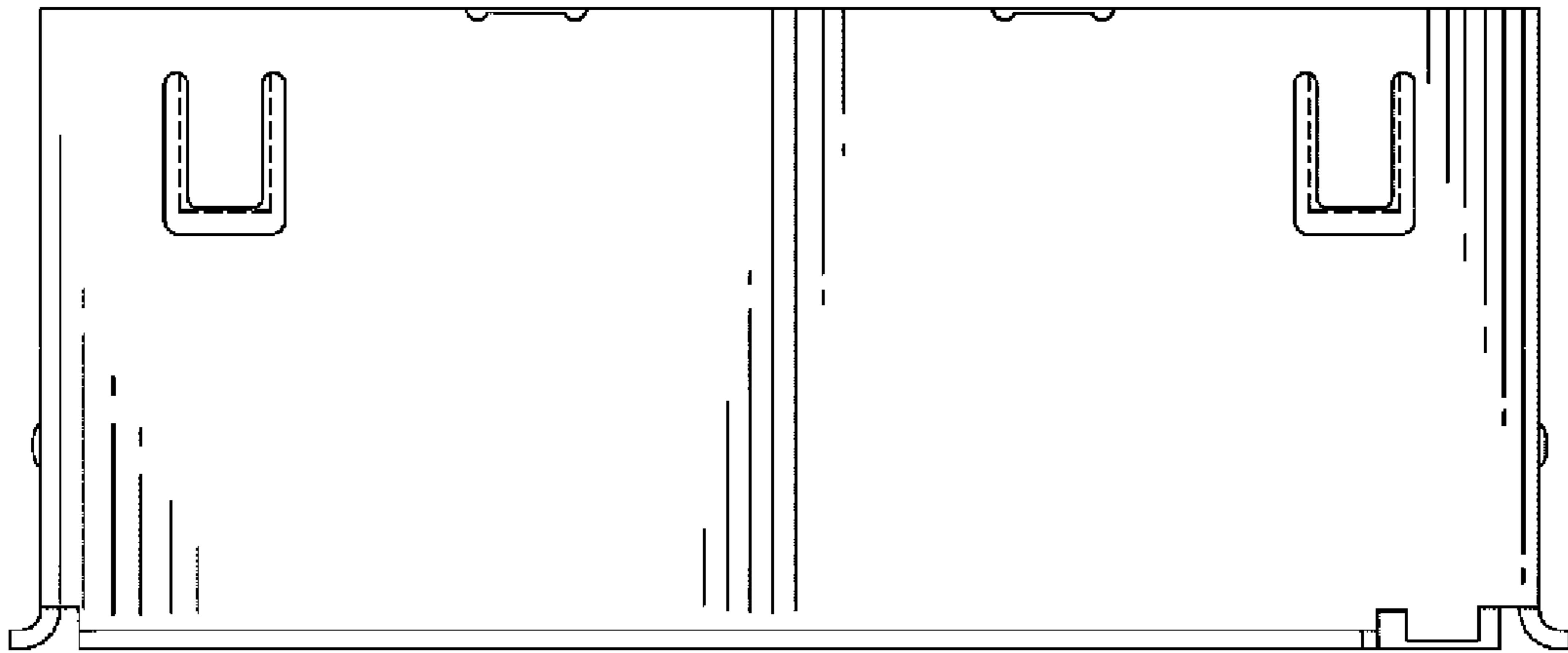


FIG. 6

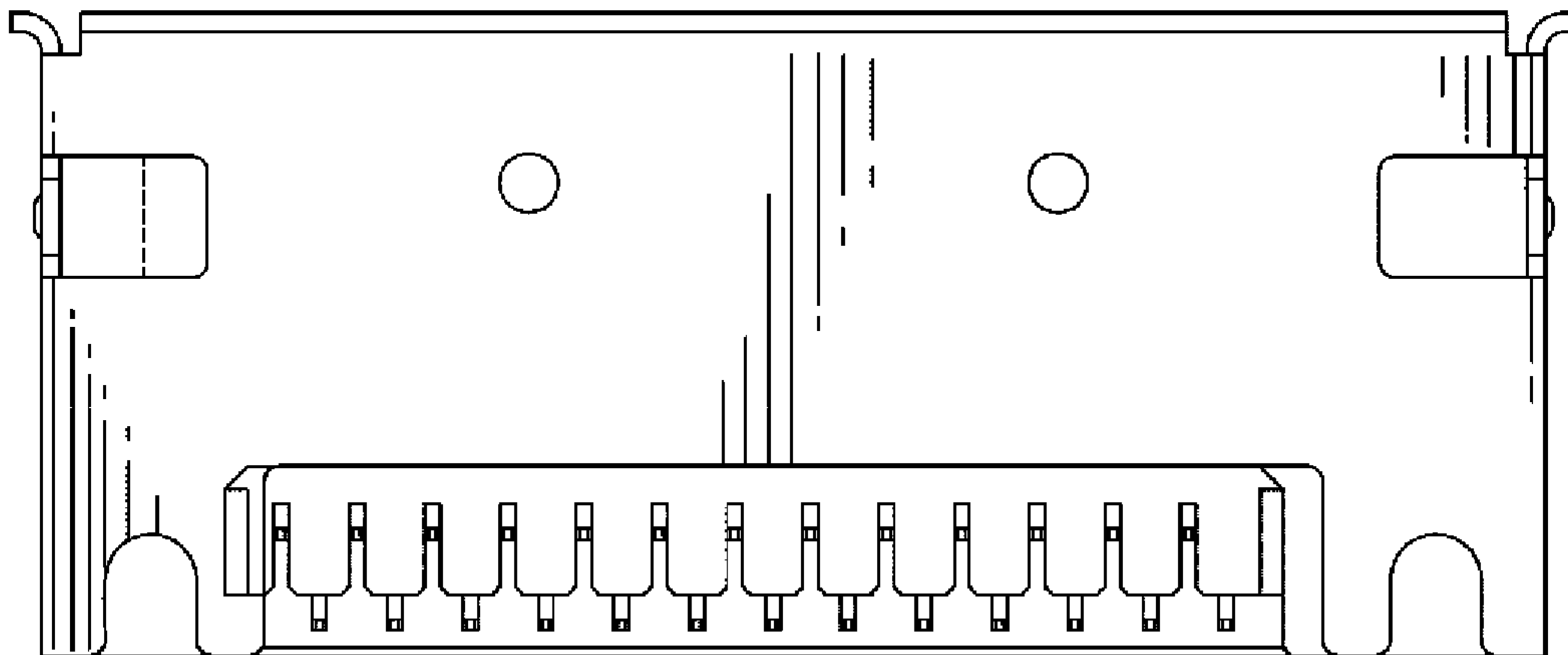


FIG. 7

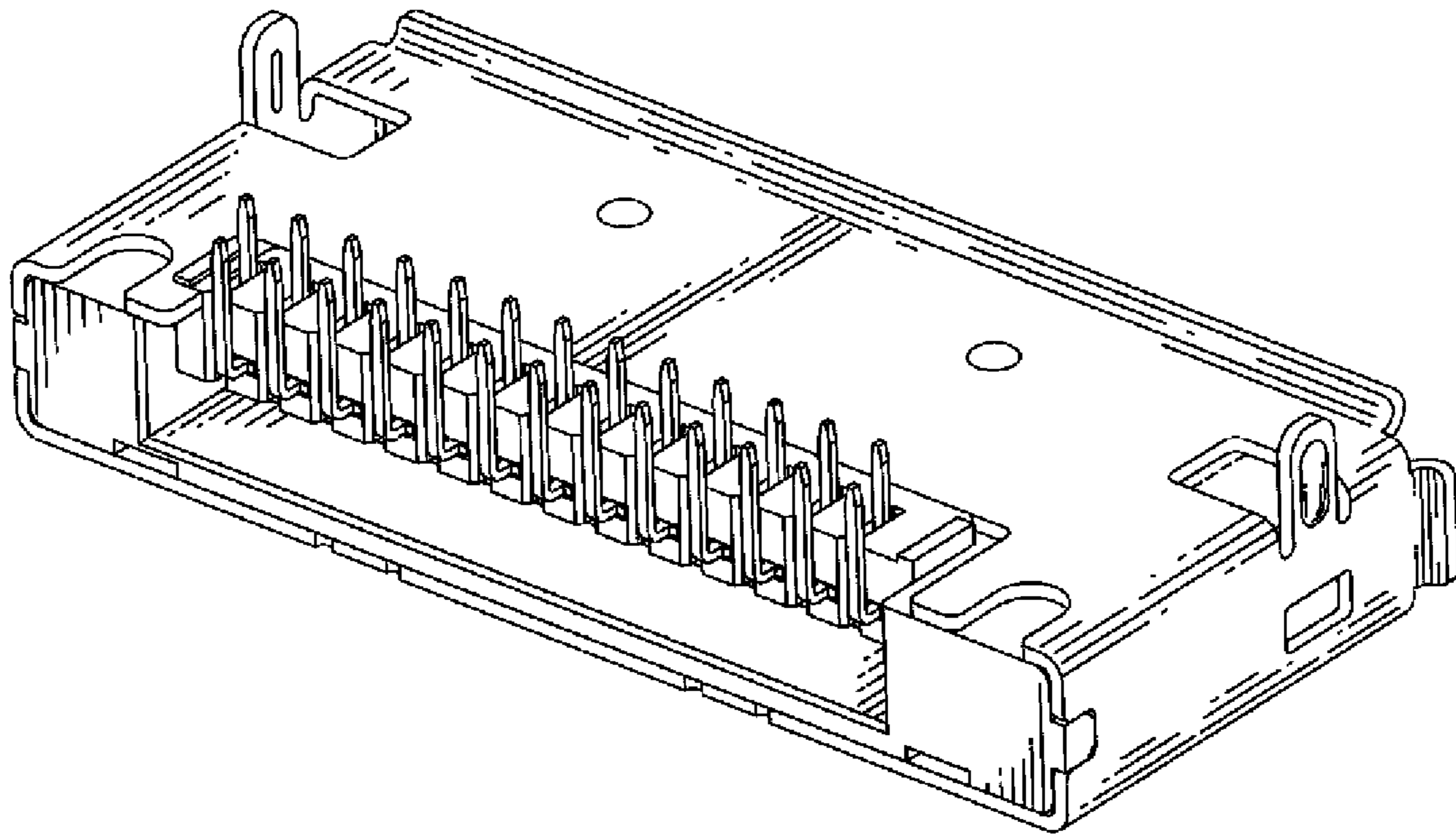


FIG. 8