



US00D644994S

(12) **United States Design Patent**
Amidon

(10) **Patent No.:** **US D644,994 S**

(45) **Date of Patent:** **** Sep. 13, 2011**

(54) **HIGH DEFINITION MULTIMEDIA
INTERFACE CONNECTOR WITH A CABLE
OVERMOLD**

D488,779 S * 4/2004 Goto D13/146
D602,440 S * 10/2009 Wu et al. D13/147
D623,143 S * 9/2010 Amidon D13/154
D623,144 S * 9/2010 Amidon D13/154

(75) Inventor: **Jeremy Amidon**, Marcellus, NY (US)

* cited by examiner

(73) Assignee: **John Mezzalingua Associates, Inc.**,
East Syracuse, NY (US)

Primary Examiner — Daniel Bui

(74) *Attorney, Agent, or Firm* — Stephen R. Yoder, Esq.

(**) Term: **14 Years**

(57) **CLAIM**

(21) Appl. No.: **29/353,049**

The ornamental design for a high definition multimedia inter-
face connector with a cable overmold, as shown and
described.

(22) Filed: **Dec. 31, 2009**

(51) **LOC (9) Cl.** **13-03**

(52) **U.S. Cl.** **D13/147**

(58) **Field of Classification Search** D13/133,
D13/146–147, 153, 154, 156, 184; 439/79,
439/248, 258, 274, 350, 353, 358, 447, 476.1,
439/607.01, 607.04, 607.05, 607.17, 607.25,
439/607.34, 607.41, 607.53, 660, 668, 680
See application file for complete search history.

DESCRIPTION

FIG. 1 is a front perspective view of a high definition multi-
media interface connector with a cable overmold, showing
my new design;

FIG. 2 is a top plan view thereof;

FIG. 3 is a bottom plan view thereof;

FIG. 4 is a right side elevation view thereof, the left side
elevation view being a mirror image thereto;

FIG. 5 is a front elevation view thereof; and,

FIG. 6 is a rear elevation view thereof.

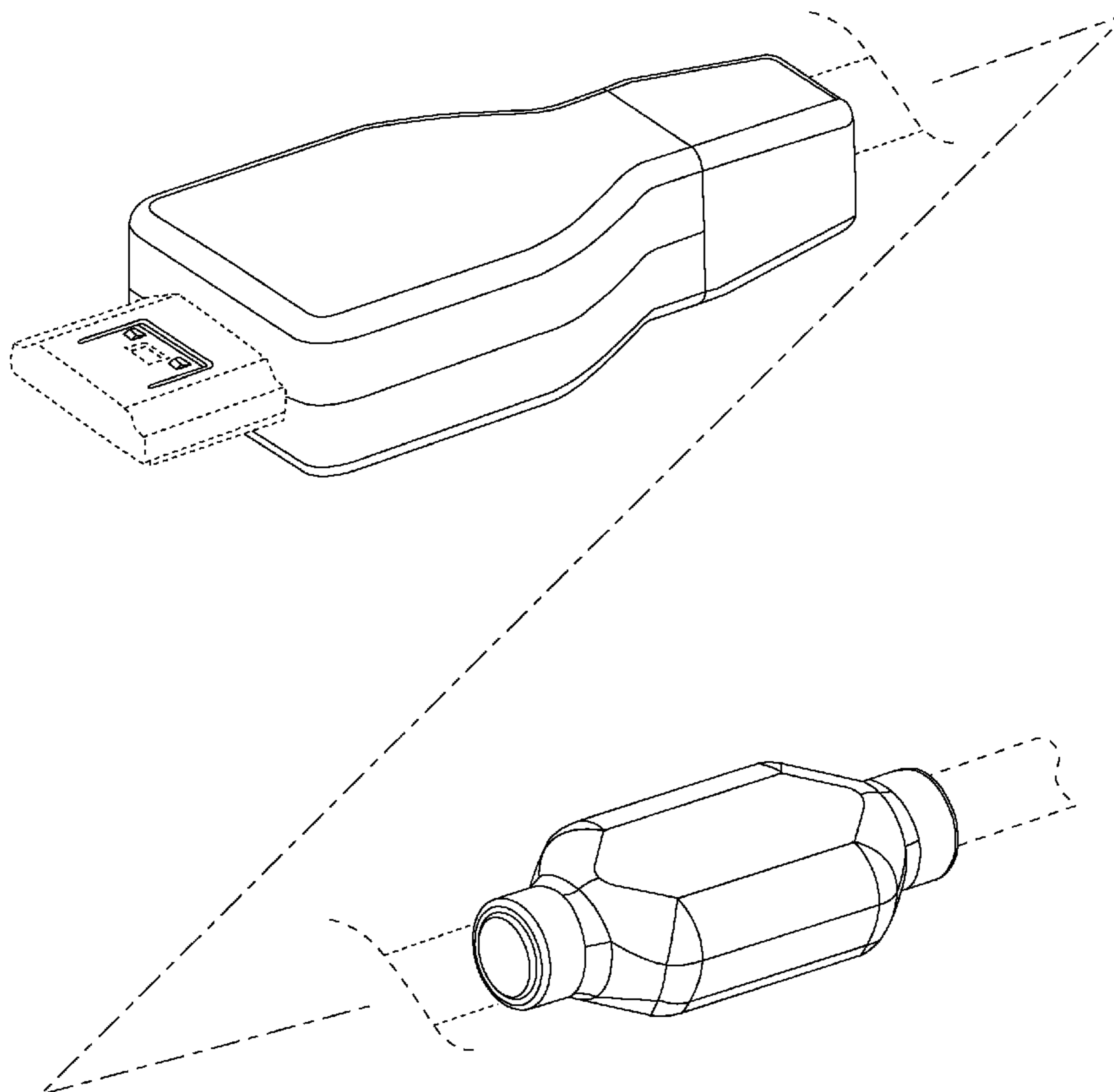
The broken line portion of the figure drawings is included to
show unclaimed subject matter only and forms no part of the
claimed design.

(56) **References Cited**

U.S. PATENT DOCUMENTS

D381,629 S * 7/1997 Goto D13/147
D416,869 S * 11/1999 Tsai D13/153
D449,275 S * 10/2001 Goto D13/147
D456,010 S * 4/2002 Goto D13/147

1 Claim, 6 Drawing Sheets



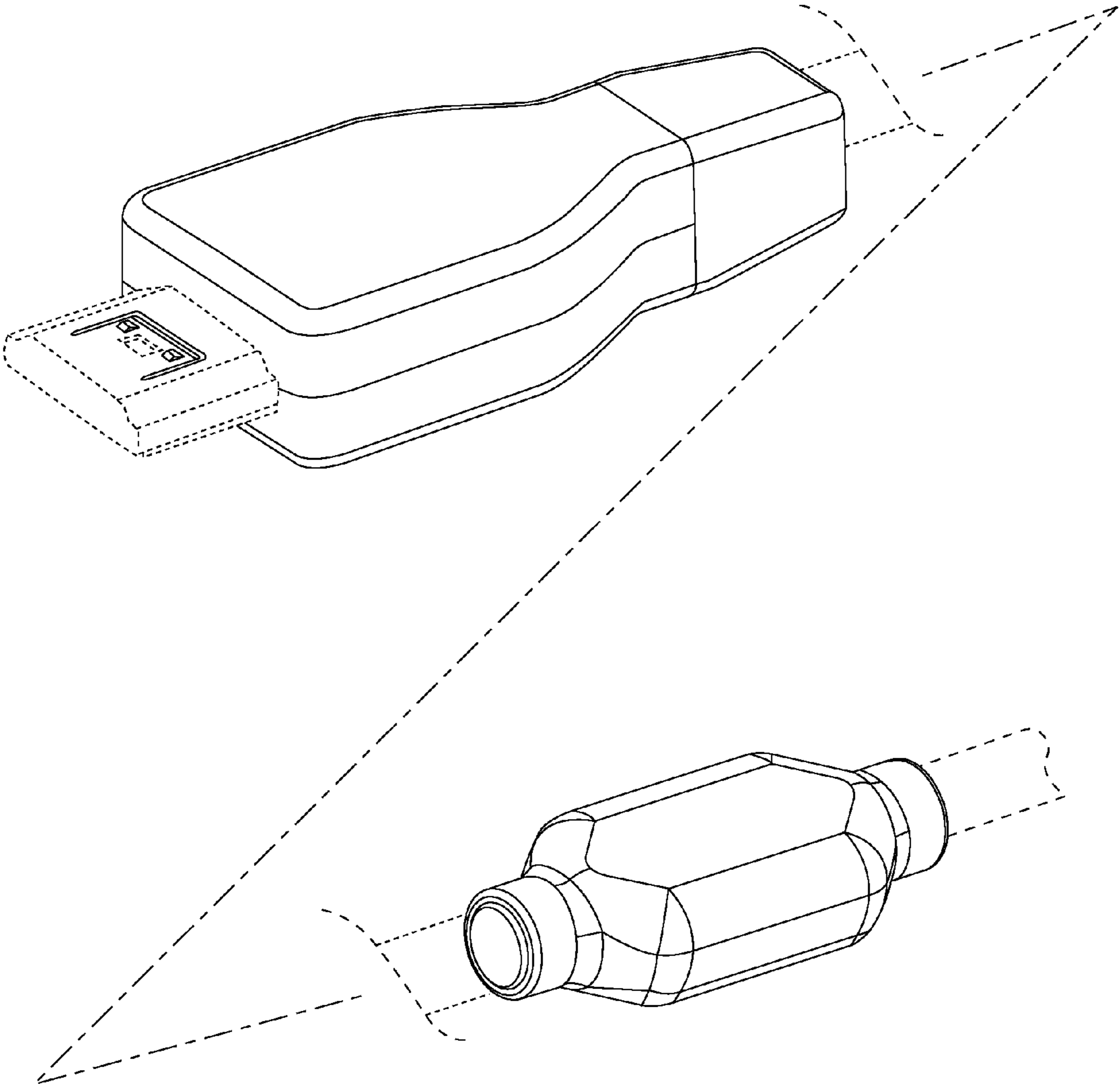


FIG. 1

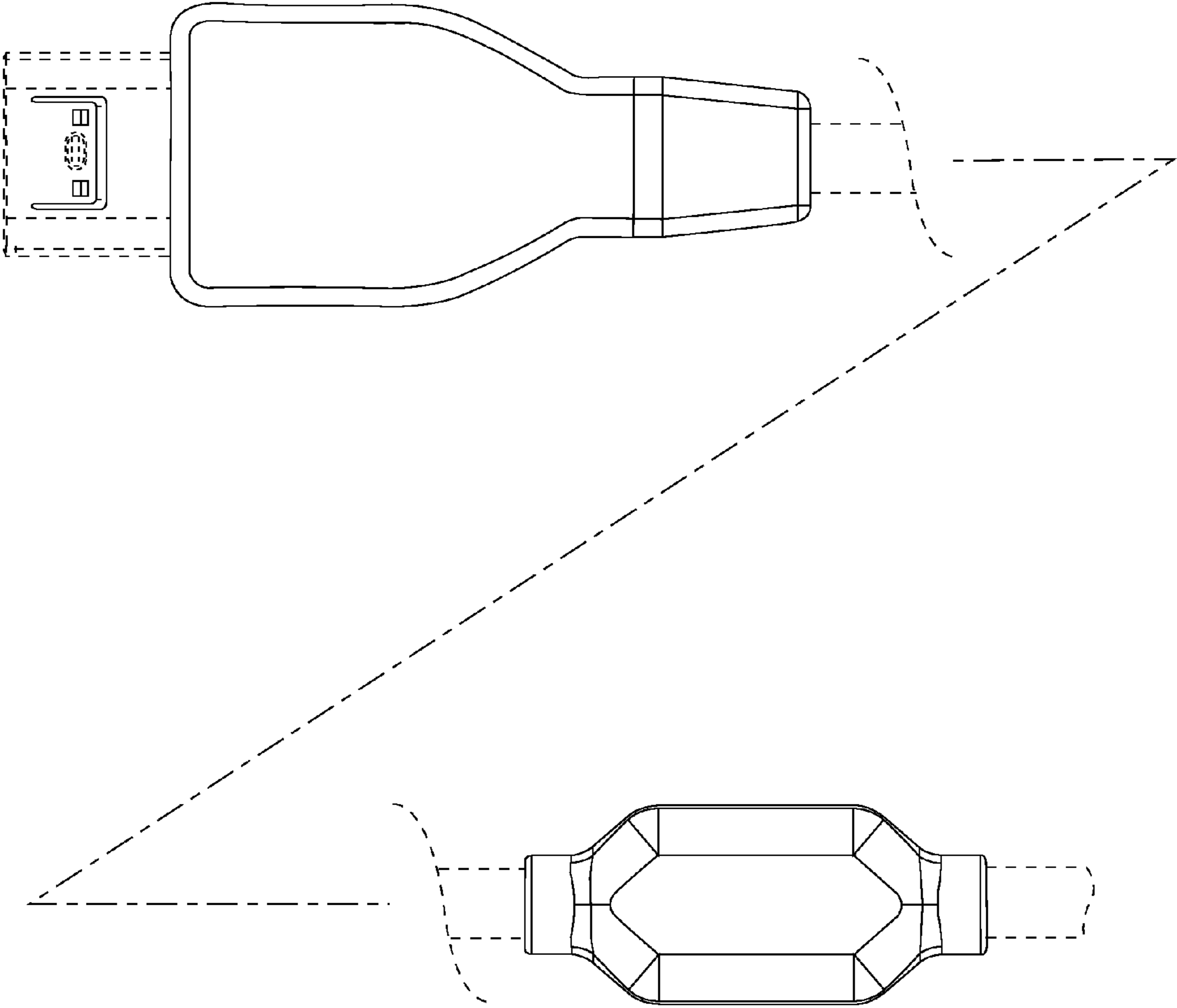


FIG. 2

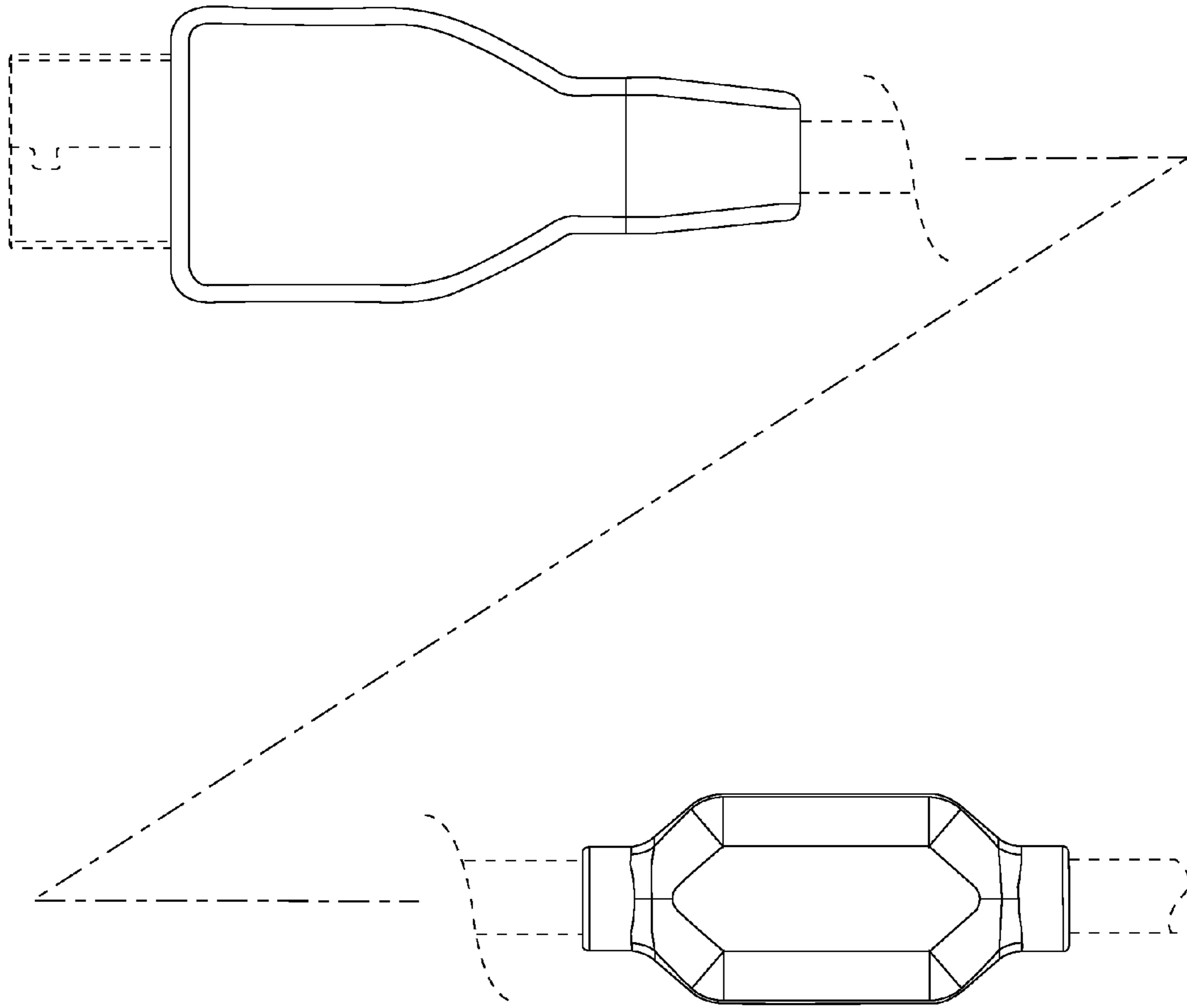


FIG. 3

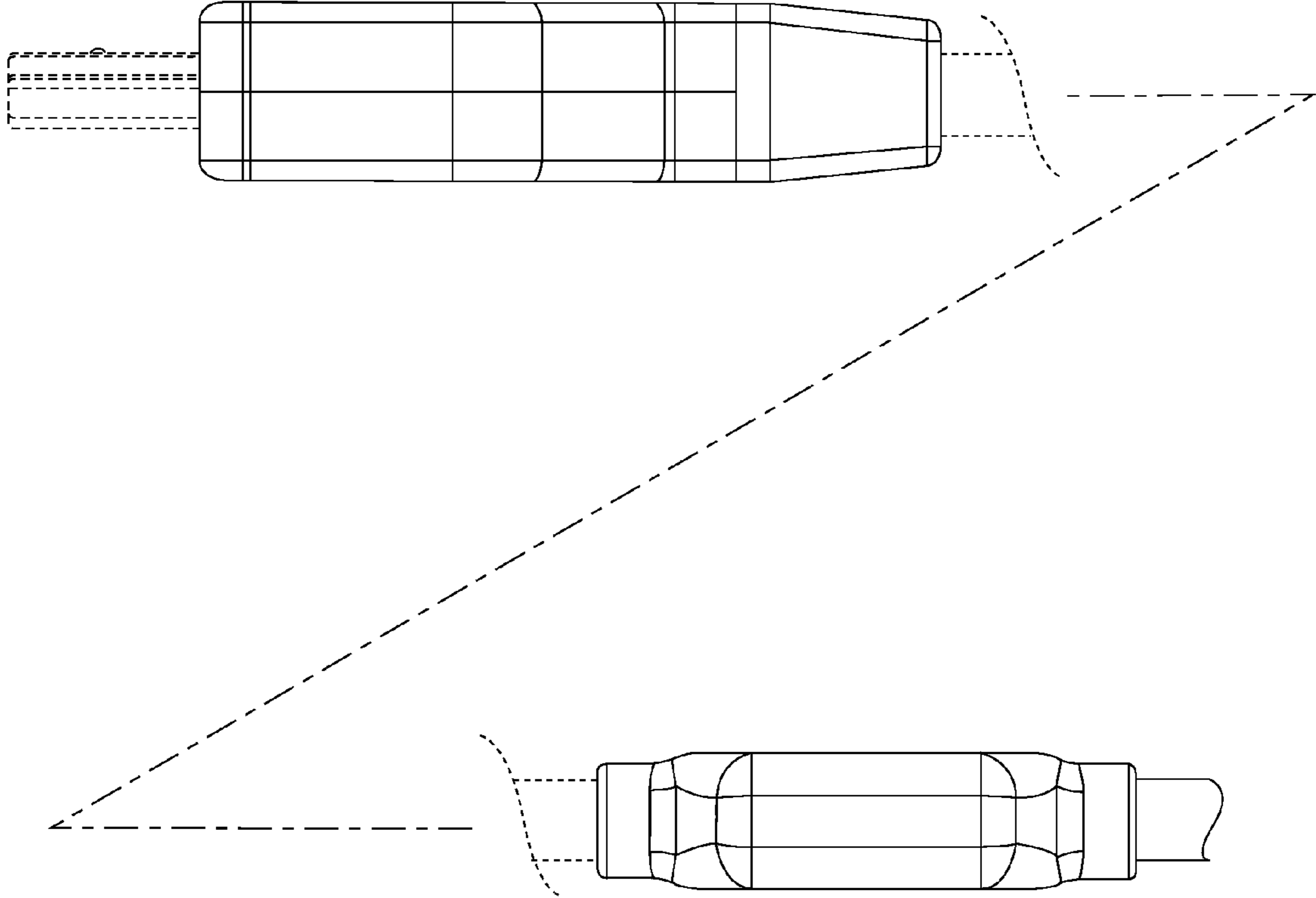


FIG. 4

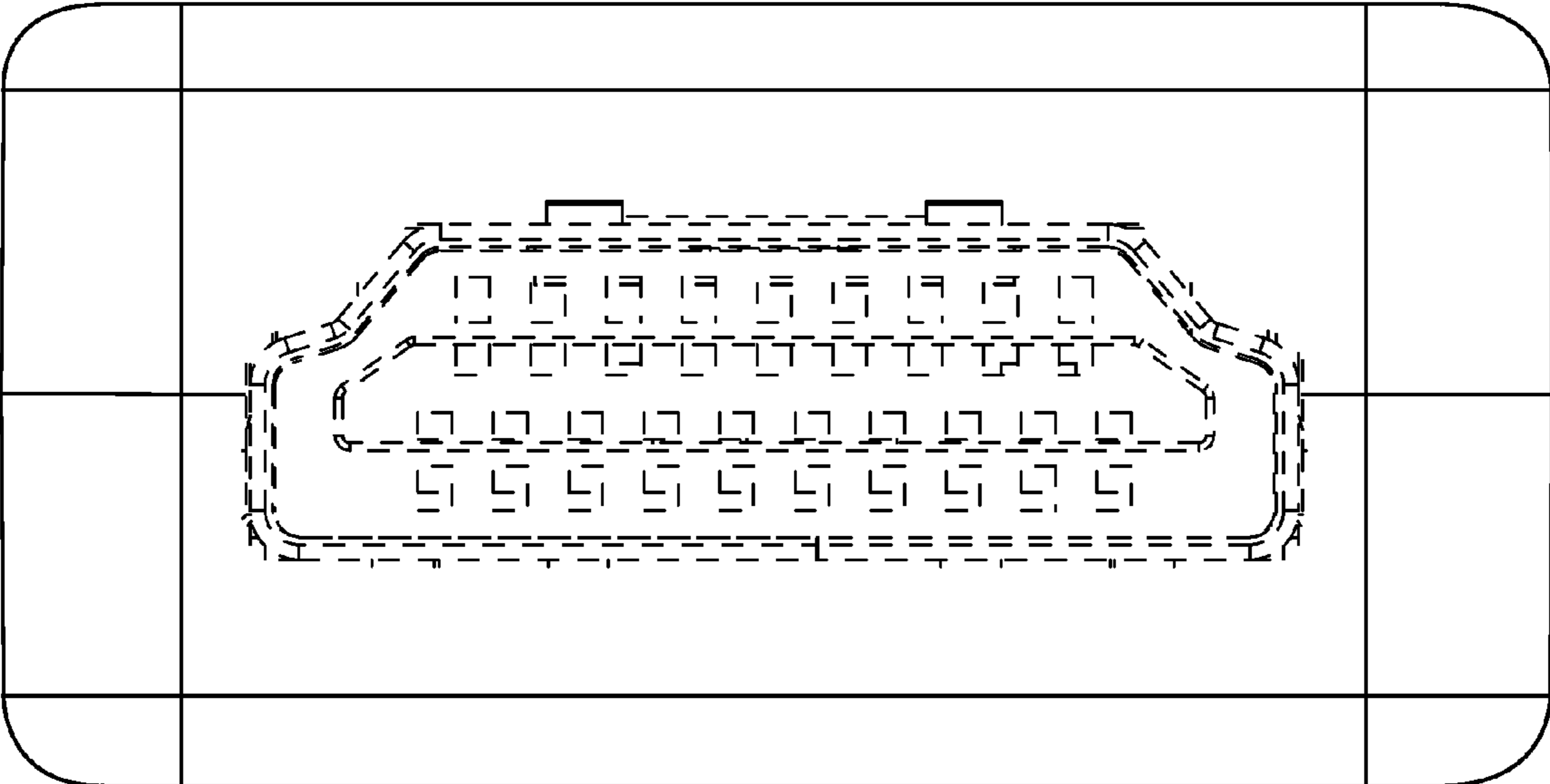


FIG. 5

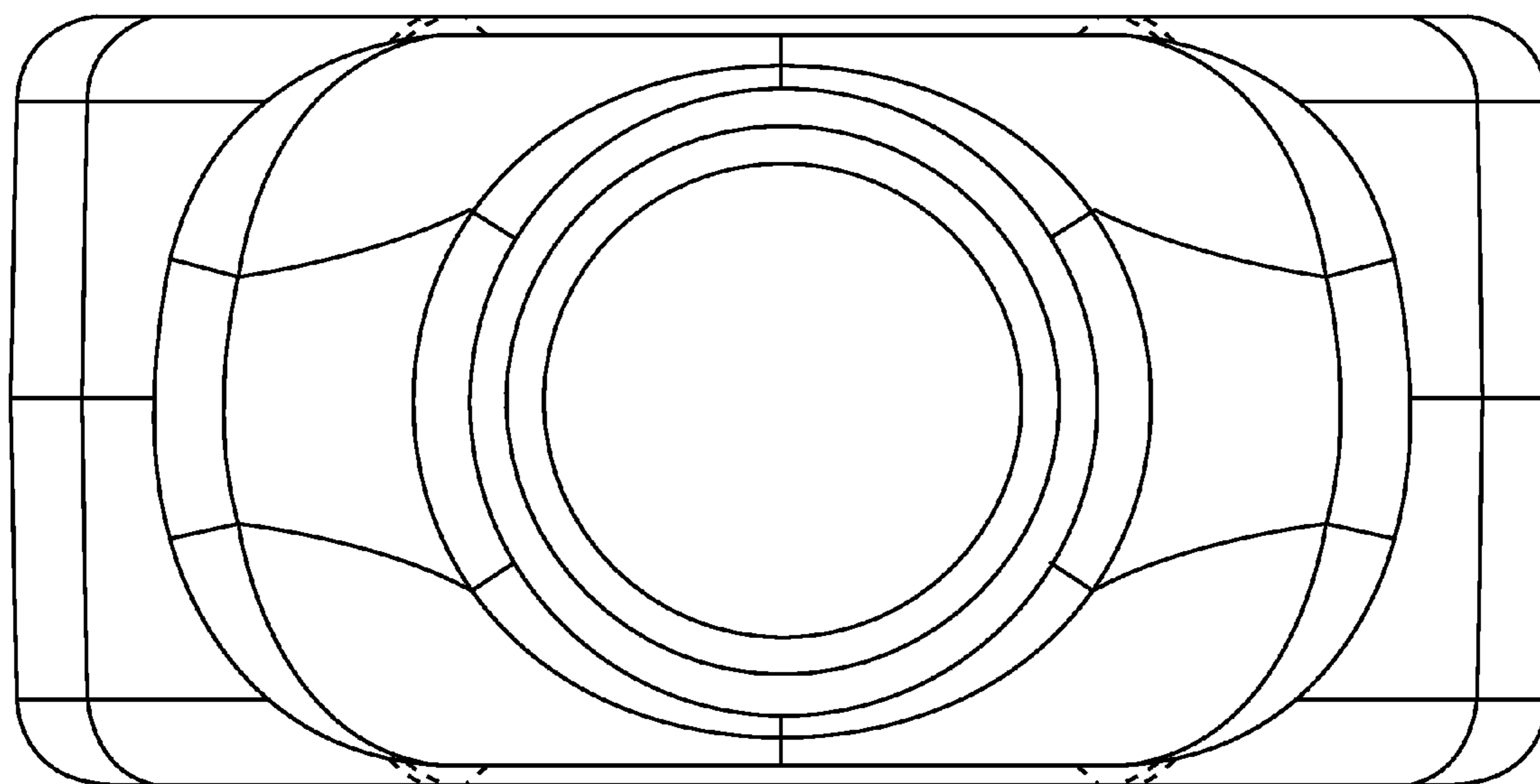


FIG. 6