



US00D644993S

(12) **United States Design Patent**
van Deursen

(10) **Patent No.:** **US D644,993 S**

(45) **Date of Patent:** **** Sep. 13, 2011**

(54) **PORTABLE GENERATOR**

(75) Inventor: **Gary E. van Deursen**, Essex, CT (US)

(73) Assignee: **Briggs & Stratton Corporation**,
Wauwatosa, WI (US)

(**) Term: **14 Years**

(21) Appl. No.: **29/379,743**

(22) Filed: **Nov. 23, 2010**

Related U.S. Application Data

(62) Division of application No. 29/357,171, filed on Mar. 8, 2010, now Pat. No. Des. 629,748.

(51) **LOC (9) Cl.** **13-01**

(52) **U.S. Cl.** **D13/116; D13/122**

(58) **Field of Classification Search** D13/116,
D13/112, 114, 122, 184, 199; D6/329, 462;
D15/33; D34/12, 17, 23, 24, 26; 219/56,
219/57; 290/1 A, 1 B, 1 R; 307/150, 153;
310/50, 89, 158, 418; 123/2, 3

See application file for complete search history.

(56) **References Cited**

U.S. PATENT DOCUMENTS

D106,969 S	11/1937	Gerald	
D276,997 S	1/1985	Mikado	
4,503,812 A *	3/1985	Eberhardt	123/2
D278,425 S	4/1985	Toshihiko	
D284,415 S	6/1986	Cahoon	
D293,904 S	1/1988	Murakami et al.	
4,741,505 A	5/1988	Anderson	
5,965,949 A	10/1999	Fukuda et al.	
D418,809 S	1/2000	Frank	
6,424,060 B1	7/2002	Shiely et al.	

(Continued)

OTHER PUBLICATIONS

Product Information, printed from www.briggsandstratton.com/engine_power/details.aspx on Feb. 17, 2010, 16 pages.

Primary Examiner — Stella Reid

Assistant Examiner — Derrick Holland

(74) *Attorney, Agent, or Firm* — Foley & Lardner LLP

(57) **CLAIM**

I claim the ornamental design for a portable generator, as shown and described.

DESCRIPTION

FIG. 1 is a front perspective view of a portable generator showing my new design;

FIG. 2 is a rear perspective view from above of the claimed design of FIG. 1;

FIG. 3 is a right side view of the claimed design of FIG. 1;

FIG. 4 is a front view of the claimed design of FIG. 1;

FIG. 5 is a left side view of the claimed design of FIG. 1;

FIG. 6 is a rear view of the claimed design of FIG. 1;

FIG. 7 is a top view of the claimed design of FIG. 1;

FIG. 8 is a bottom view of the claimed design of FIG. 1; and

FIG. 9 is a front perspective view from above of the claimed design of FIG. 1 in a second configuration.

FIG. 10 is a front perspective view from above of a second embodiment of the claimed design;

FIG. 11 is a rear perspective view from above of the claimed design of FIG. 10;

FIG. 12 is a right side view of the claimed design of FIG. 10;

FIG. 13 is a front view of the claimed design of FIG. 10;

FIG. 14 is a left side view of the claimed design of FIG. 10;

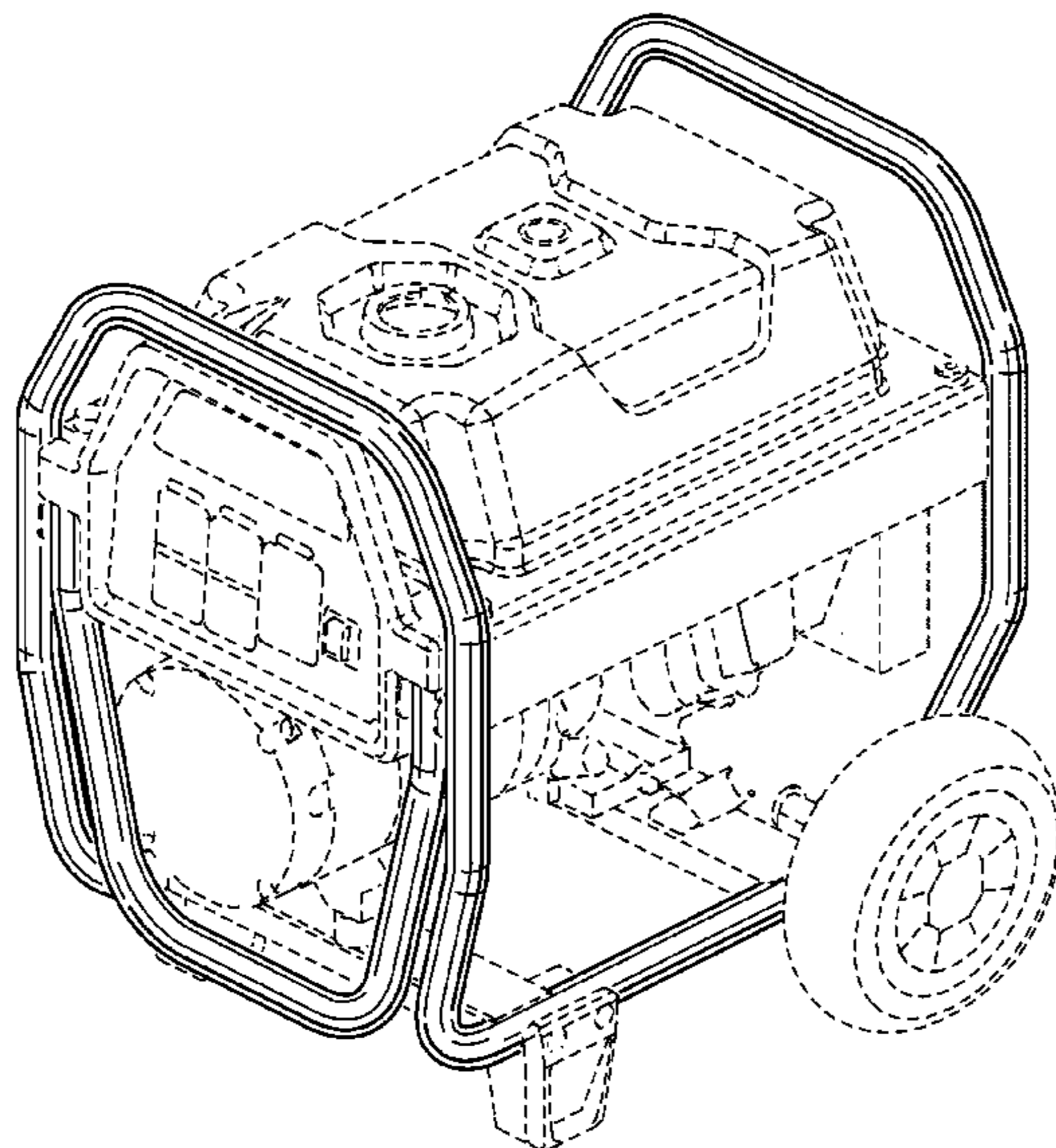
FIG. 15 is a rear view of the claimed design of FIG. 10;

FIG. 16 is a top view of the claimed design of FIG. 10; and,

FIG. 17 is a bottom view of the claimed design of FIG. 10.

The broken lines shown represent unclaimed subject matter and form no part of the claimed design.

1 Claim, 17 Drawing Sheets



US D644,993 S

Page 2

U.S. PATENT DOCUMENTS								
D472,519	S	4/2003	Buck	7,053,497	B2	5/2006	Sodemann et al.	
D484,565	S	12/2003	Ariaz	7,057,108	B1	6/2006	Sodemann et al.	
D486,447	S	2/2004	Fan	7,104,847	B2	9/2006	Sodemann et al.	
D489,327	S	5/2004	Imai	7,148,580	B2	12/2006	Sodemann et al.	
6,750,556	B2	6/2004	Sodemann et al.	7,161,253	B2	1/2007	Sodemann et al.	
6,758,169	B2 *	7/2004	Suzuki et al. 123/3	7,314,397	B2	1/2008	Sodemann et al.	
D494,929	S	8/2004	Imai	D563,320	S *	3/2008	Buck	D13/116
6,777,846	B2	8/2004	Feldner et al.	D567,175	S	4/2008	Knuteson et al.	
D501,182	S	1/2005	Buck	7,356,384	B2	4/2008	Gull et al.	
6,935,642	B1	8/2005	Craig et al.	D570,777	S *	6/2008	Glass et al.	D13/116
6,952,056	B2	10/2005	Brandenburg et al.	7,390,224	B2	6/2008	Sodemann et al.	
6,975,216	B2	12/2005	Tharman et al.	D580,860	S *	11/2008	Xi-Ren	D13/122
6,998,725	B2	2/2006	Brandenburg et al.	7,471,505	B2	12/2008	Gull et al.	
7,015,404	B2	3/2006	Sodemann et al.	7,492,050	B2	2/2009	Brandenburg et al.	
7,015,599	B2	3/2006	Gull et al.	2008/0093862	A1	4/2008	Brandenburg et al.	

* cited by examiner

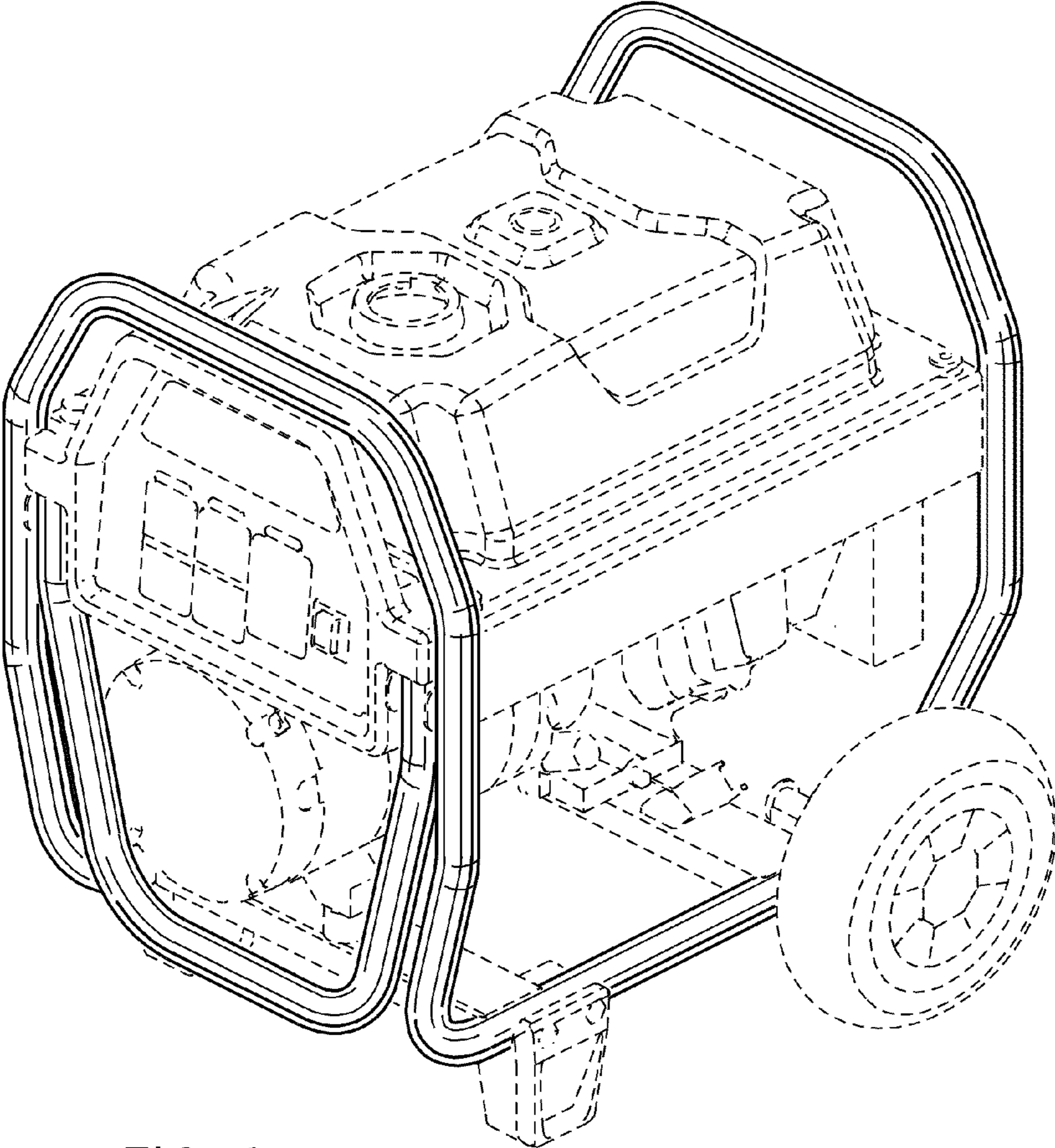


FIG. 1

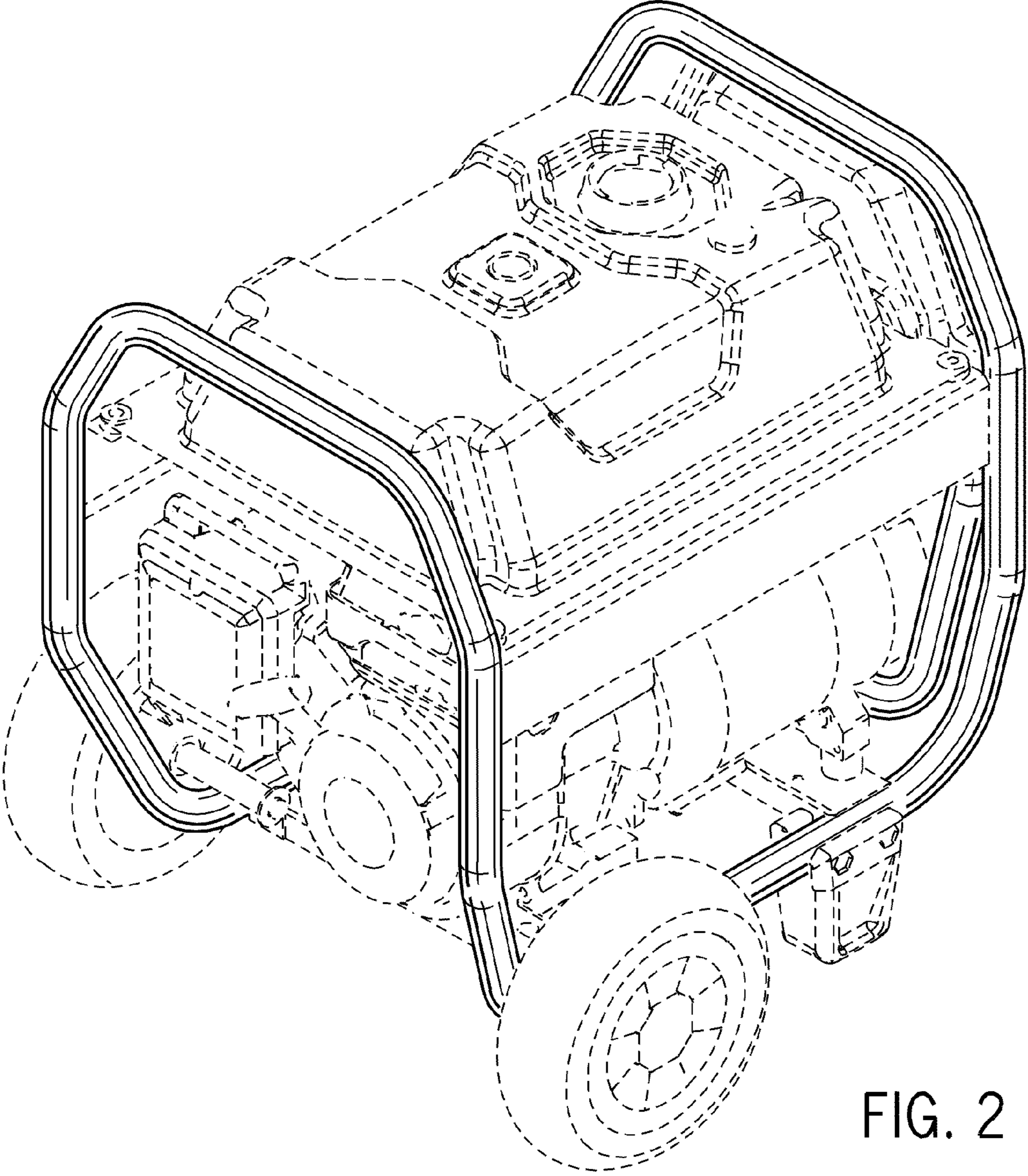


FIG. 2

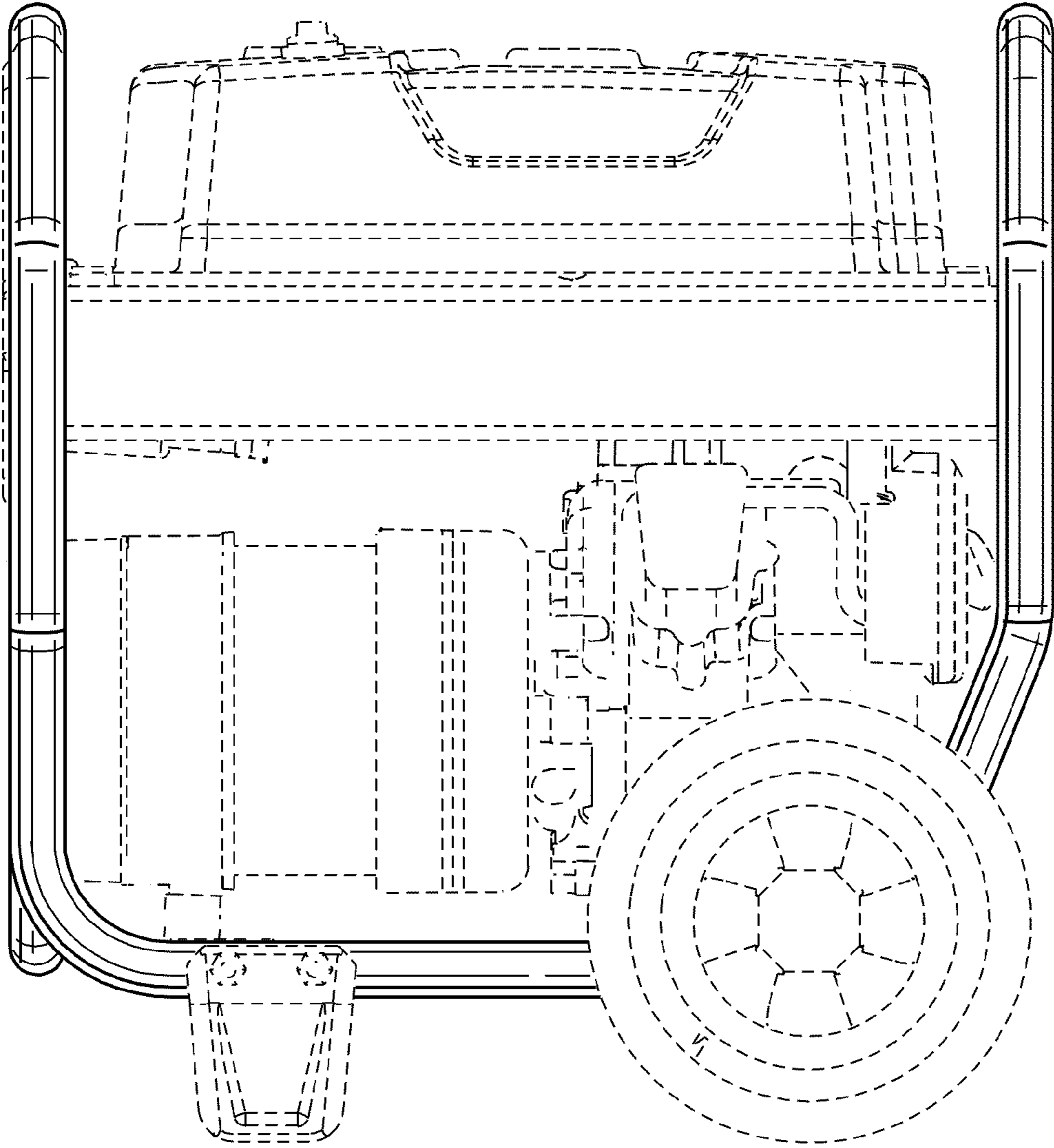


FIG. 3

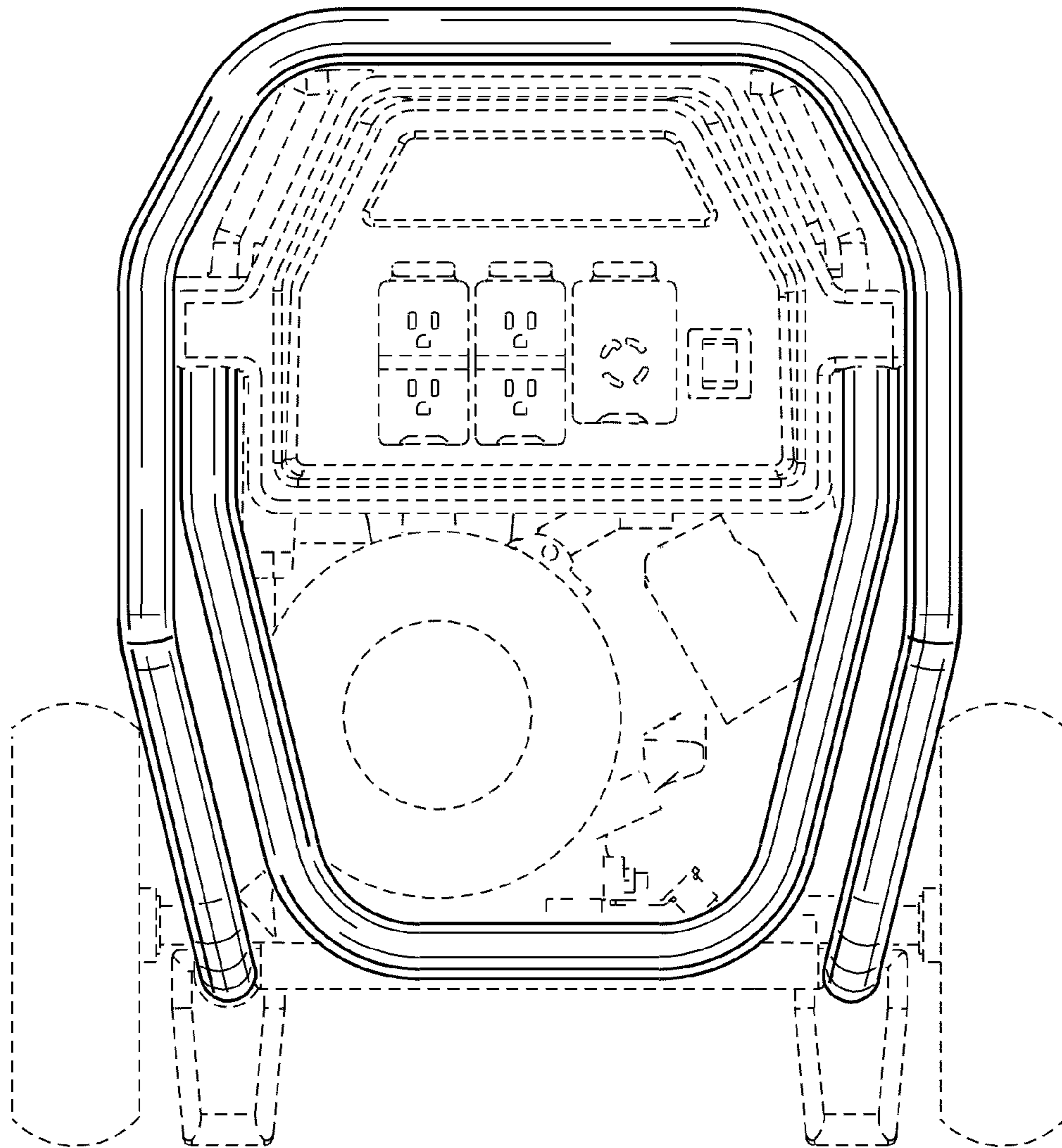


FIG. 4

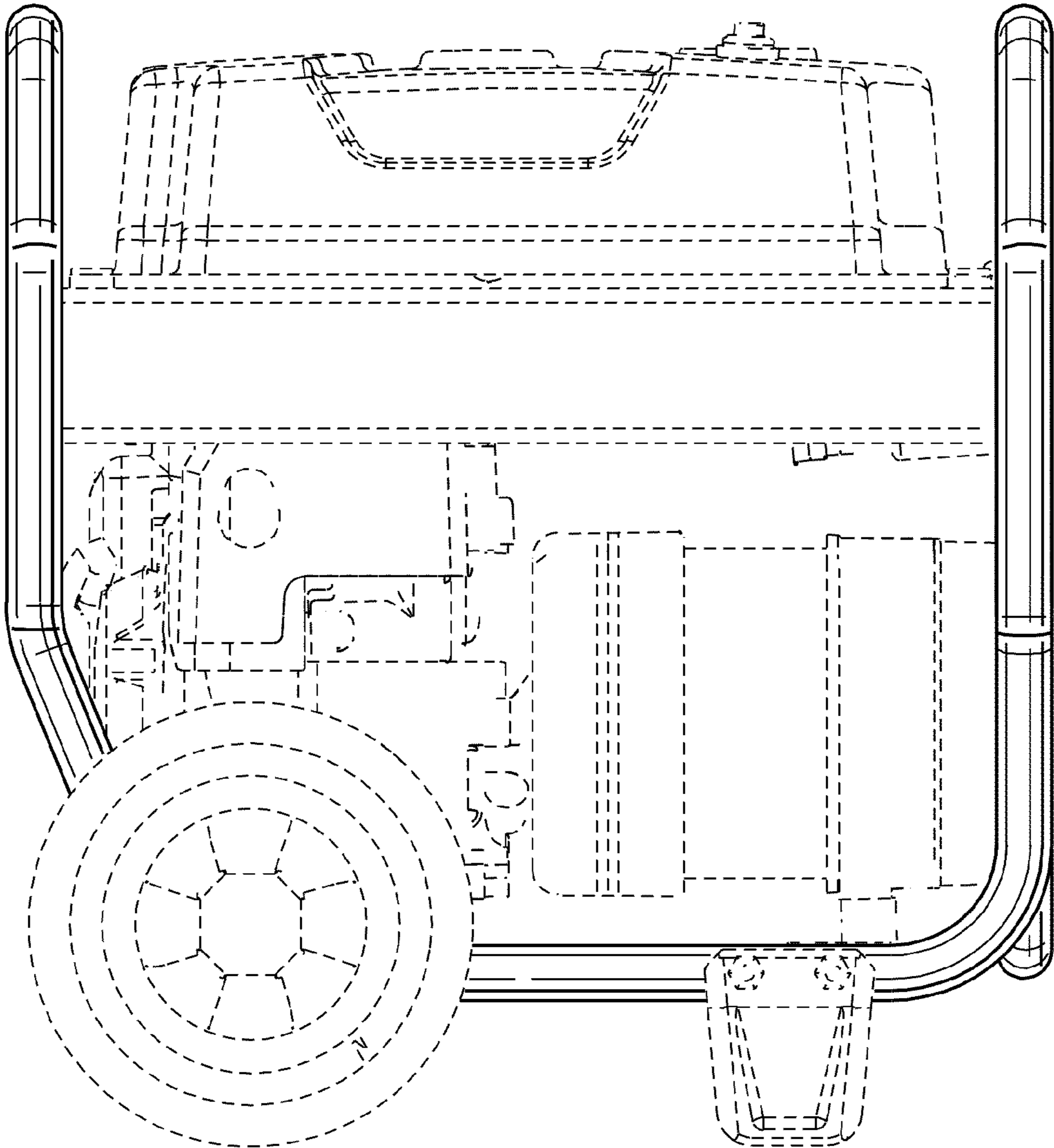


FIG. 5

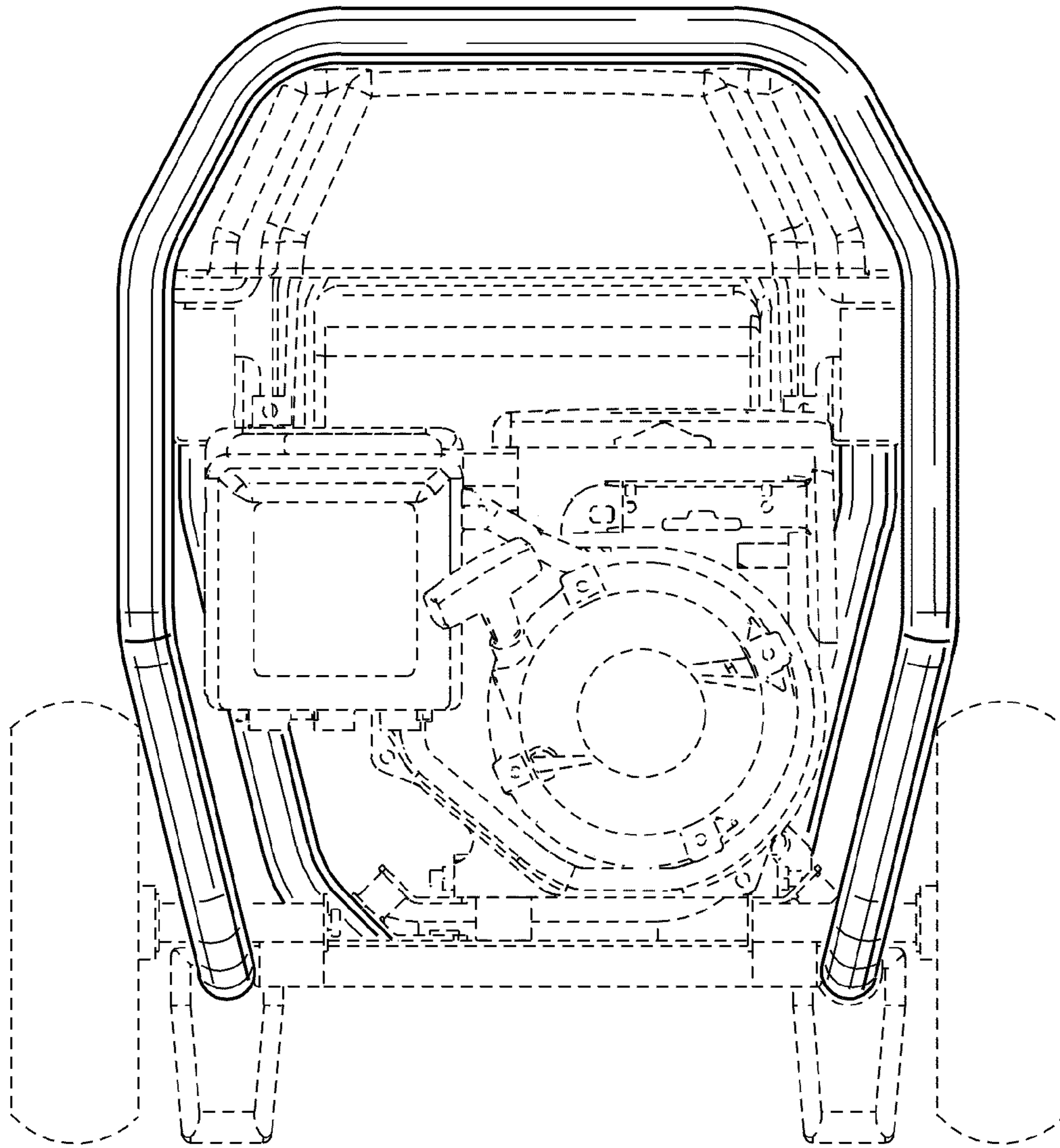


FIG. 6

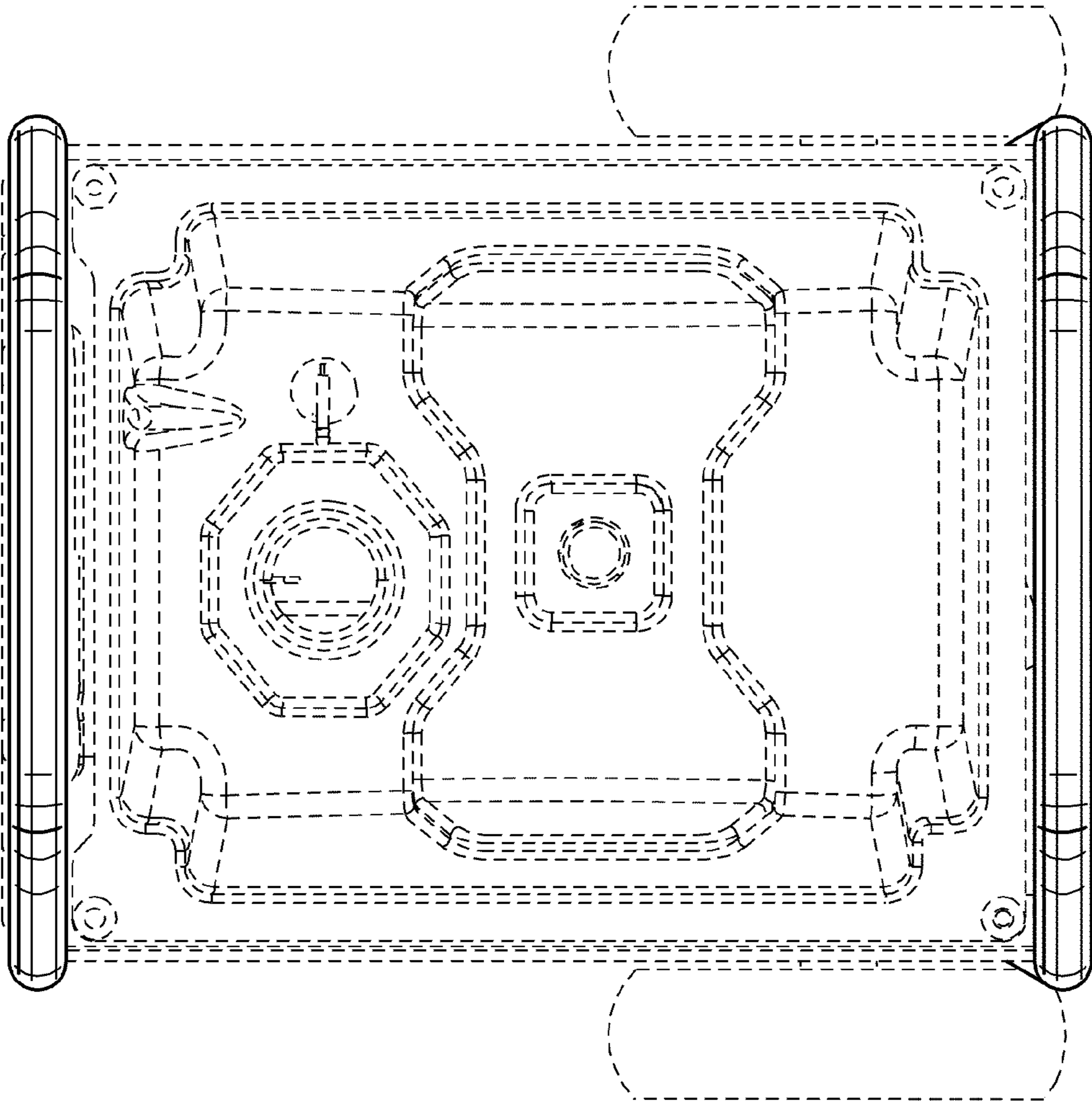


FIG. 7

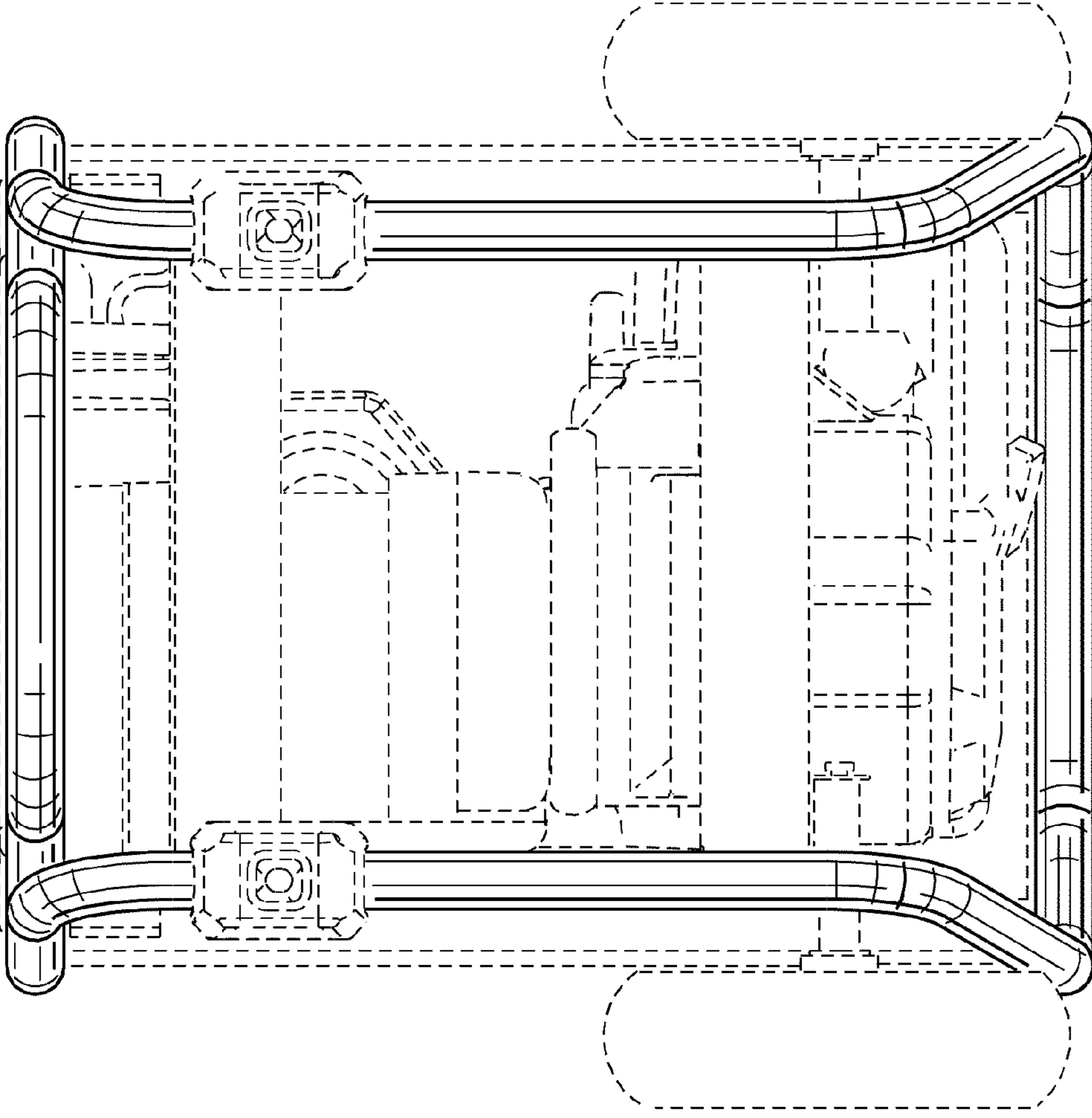


FIG. 8

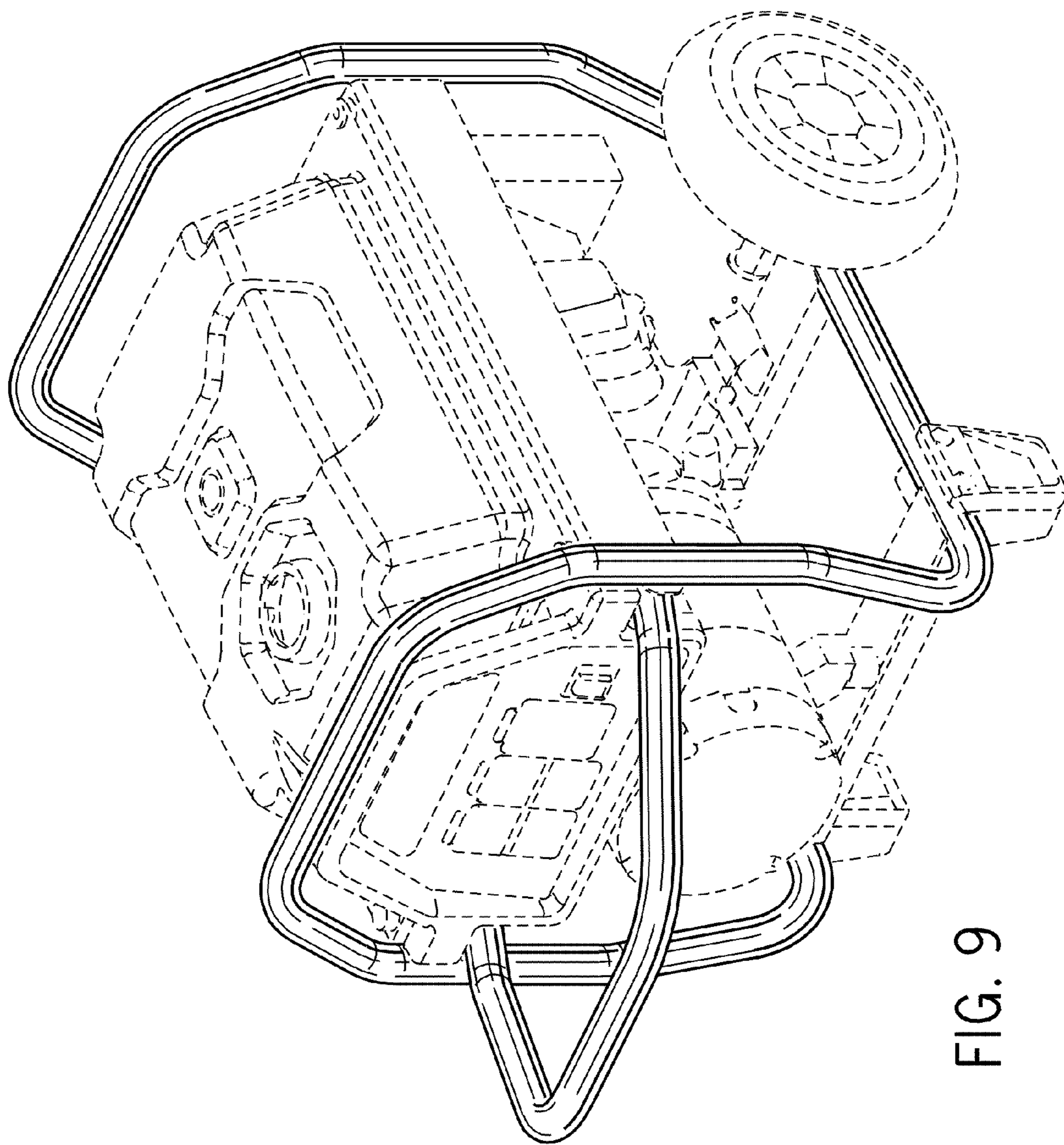


FIG. 9

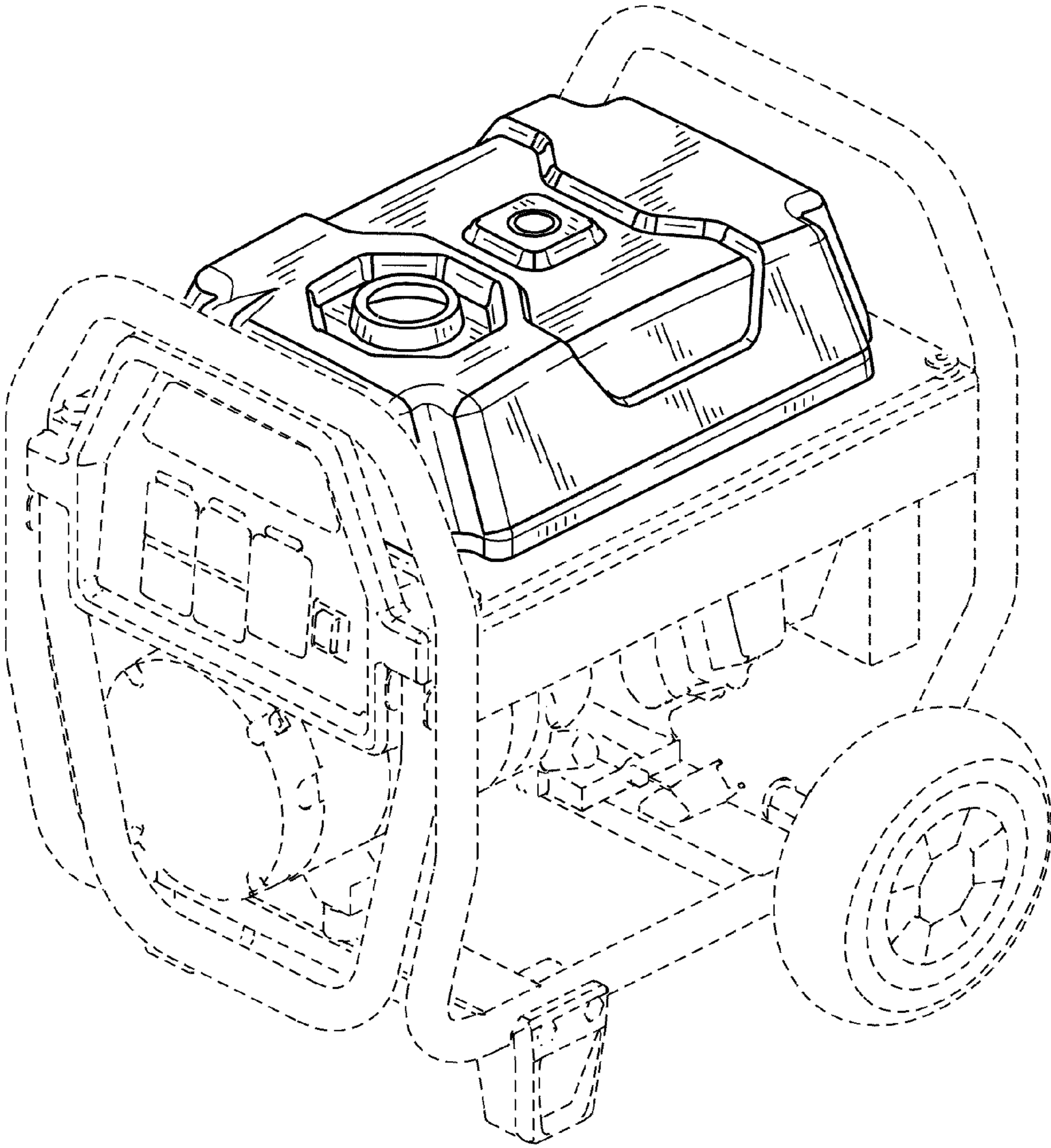


FIG. 10

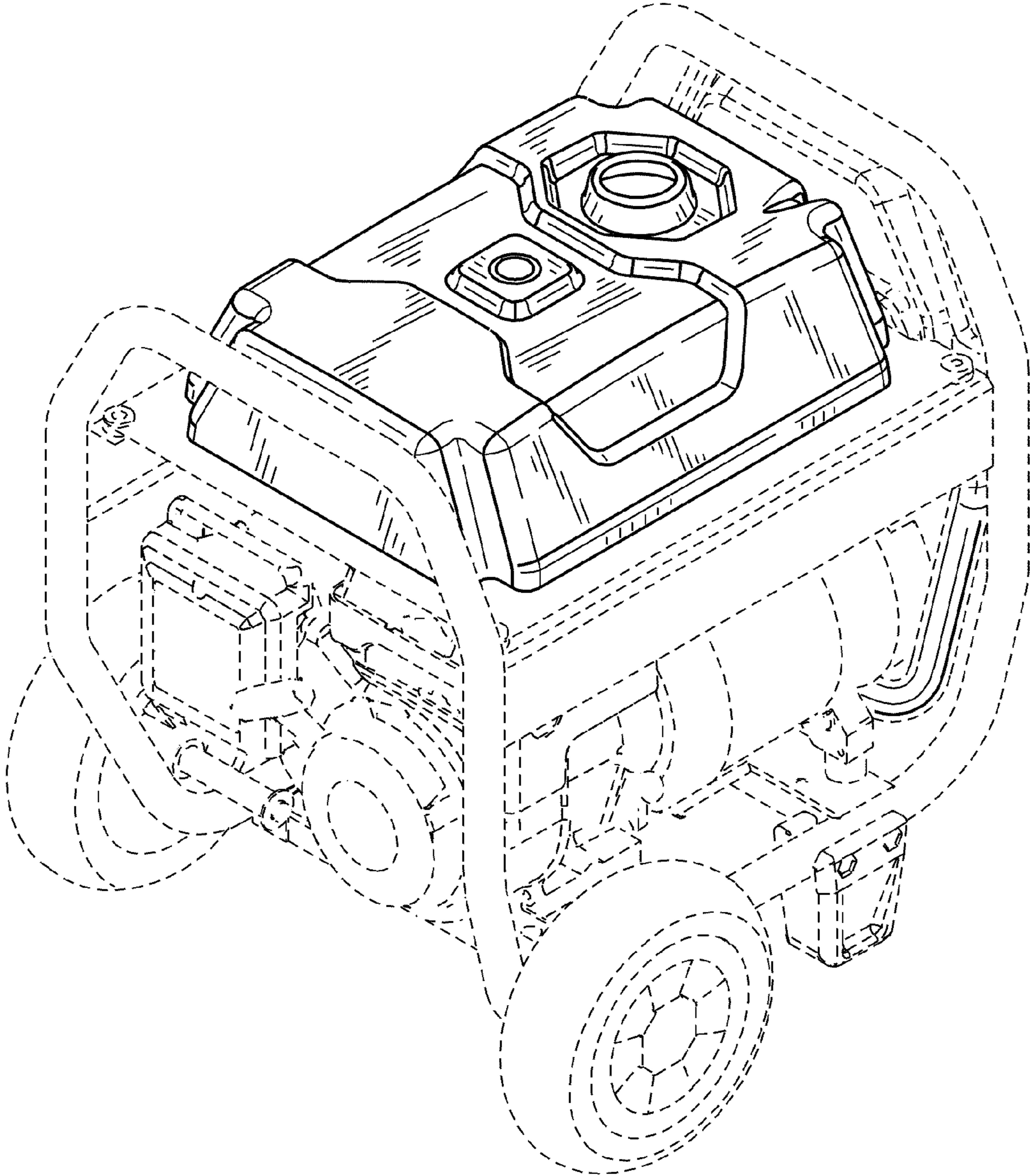


FIG. 11

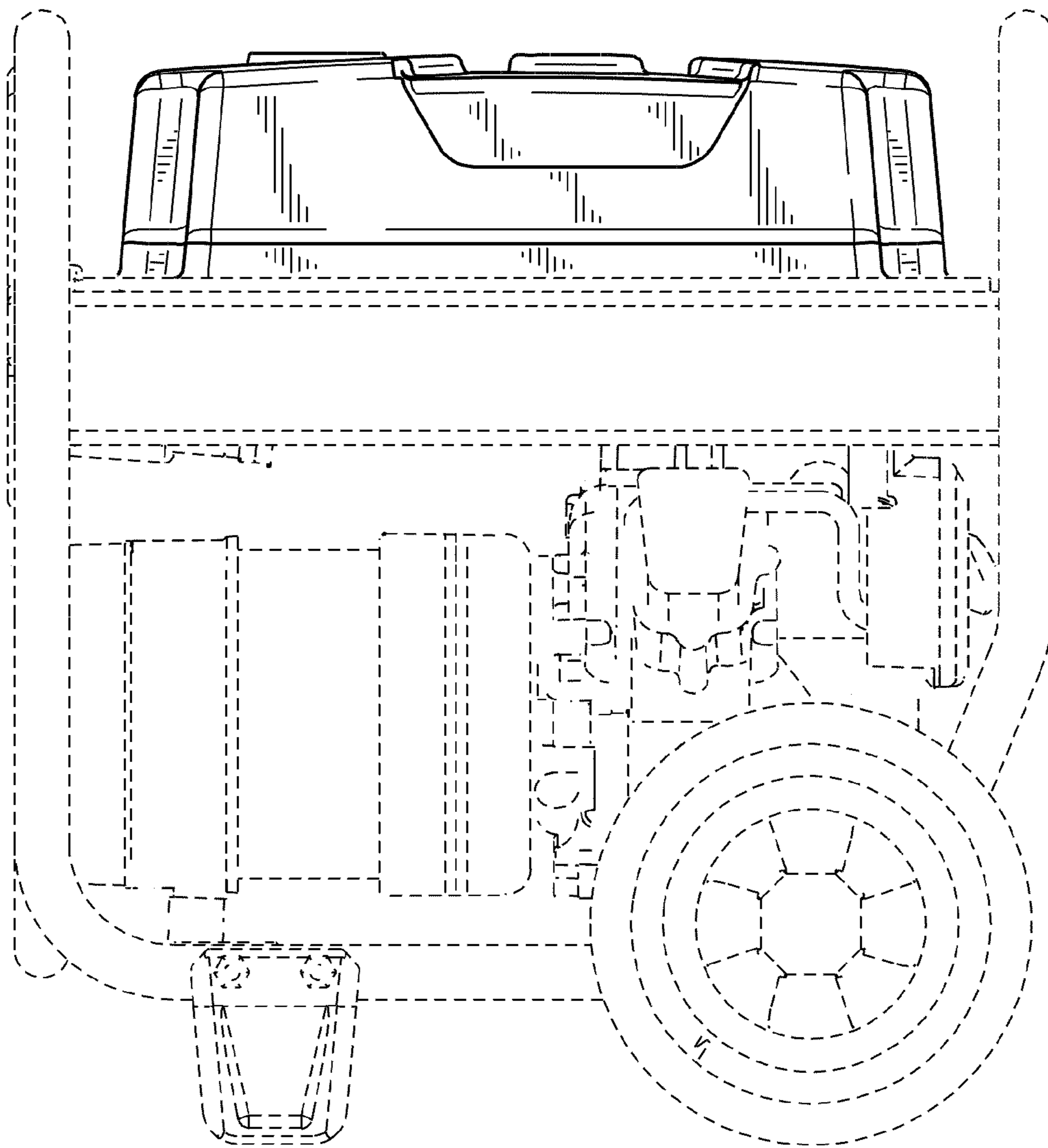


FIG. 12

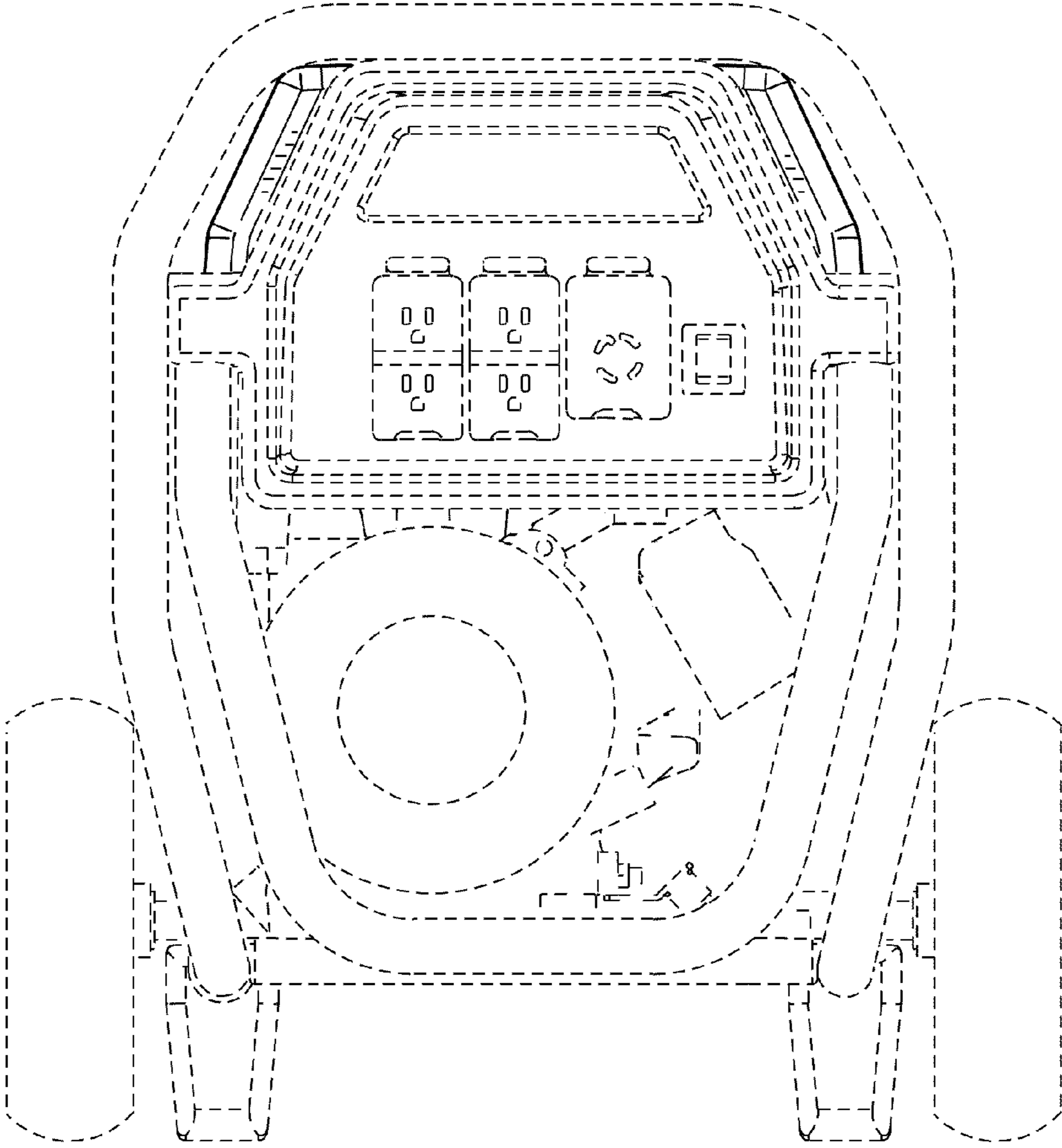


FIG. 13

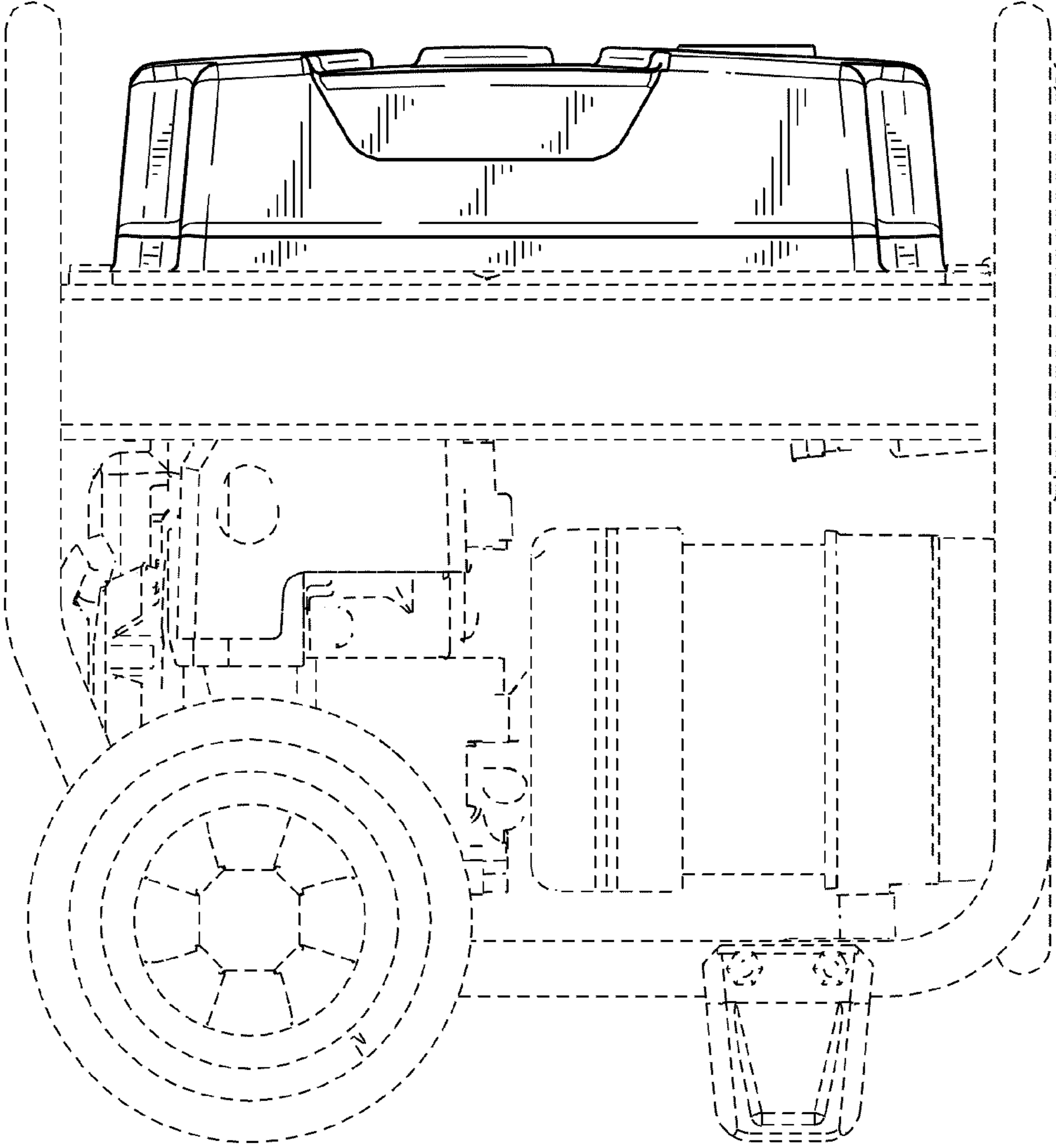


FIG. 14

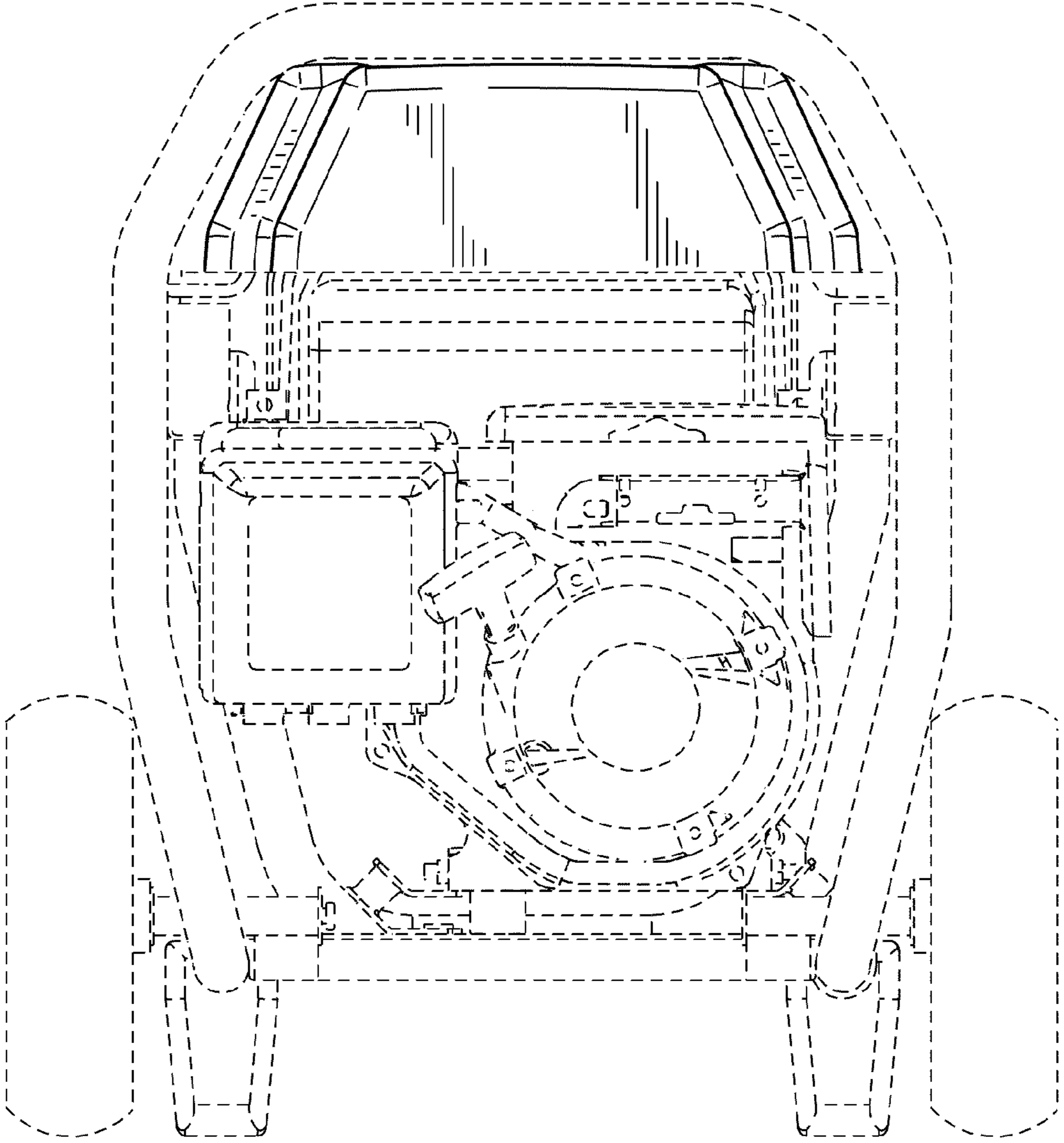


FIG. 15

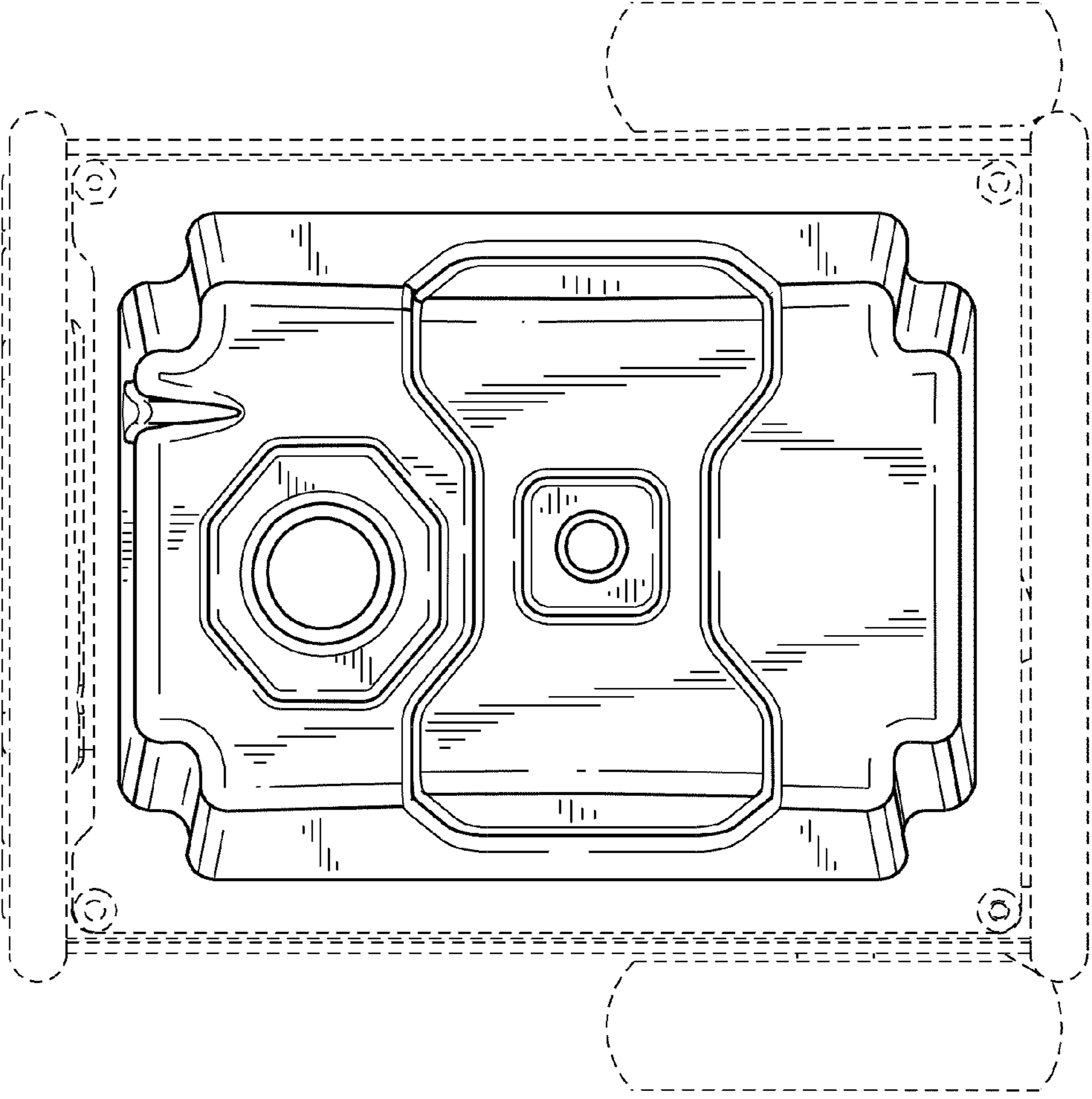


FIG. 16

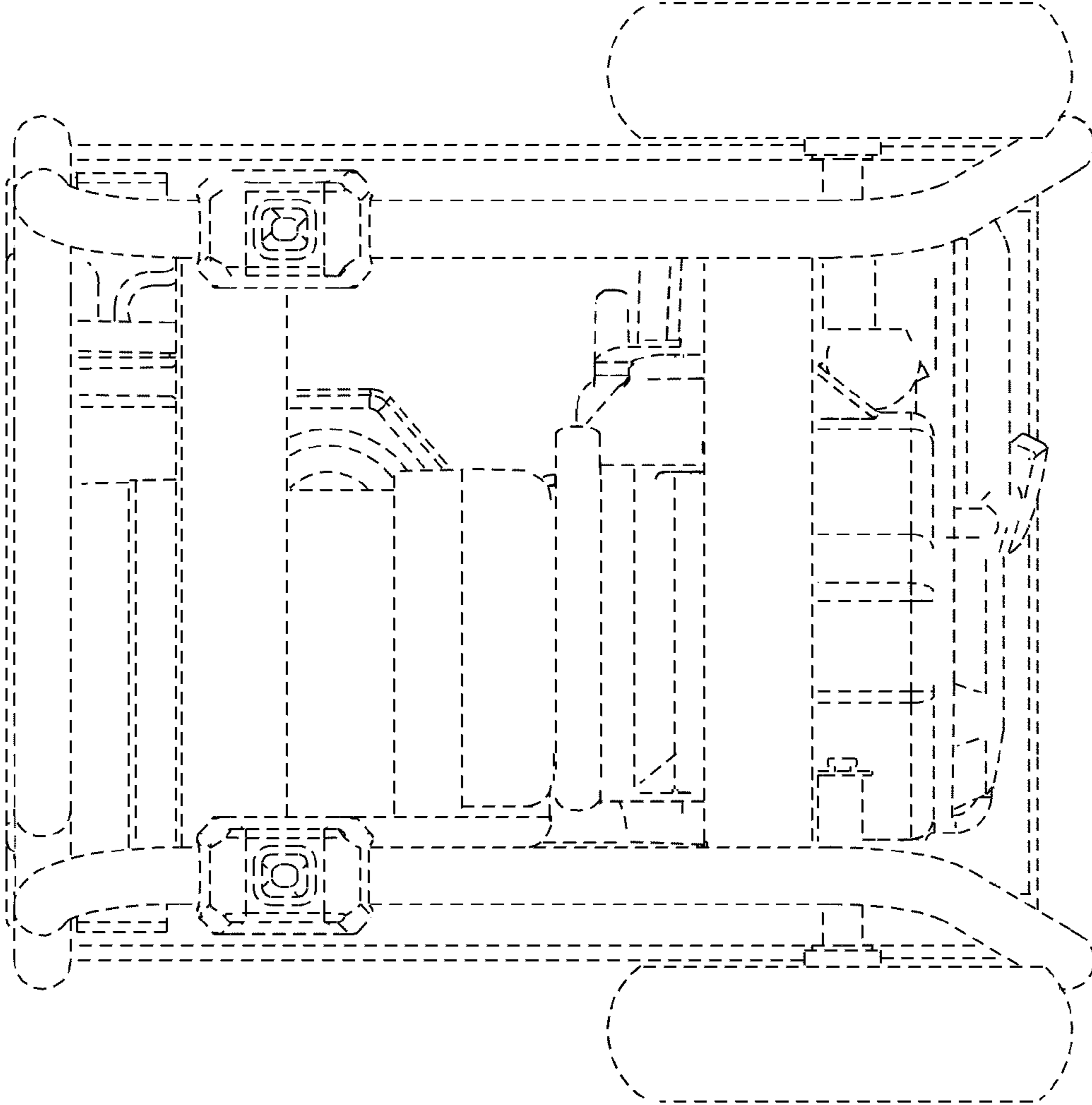


FIG. 17

UNITED STATES PATENT AND TRADEMARK OFFICE
CERTIFICATE OF CORRECTION

PATENT NO. : D644,993 S
APPLICATION NO. : 29/379743
DATED : September 13, 2011
INVENTOR(S) : Gary E. van Deursen

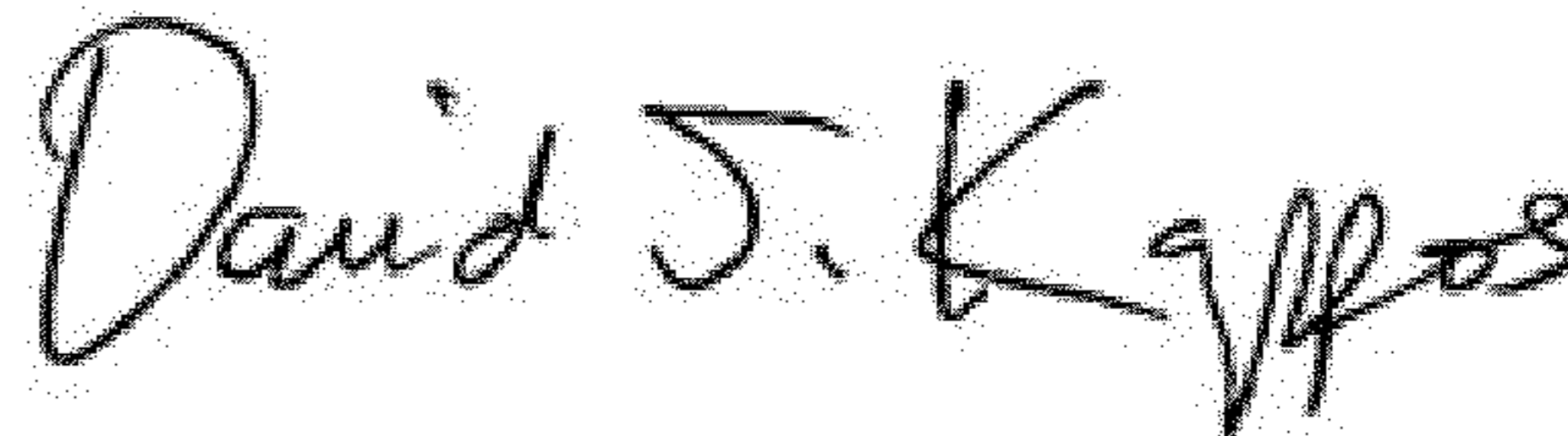
Page 1 of 12

It is certified that error appears in the above-identified patent and that said Letters Patent is hereby corrected as shown below:

Delete the title page and substitute therefore the attached title page showing the corrected DESCRIPTION and number of drawing sheets in patent.

Delete Drawing Sheets 1-17 and substitute therefore the attached Drawing Sheets 1-10. FIGS. 11-17 have been cancelled.

Signed and Sealed this
Twentieth Day of March, 2012

A handwritten signature in black ink that reads "David J. Kappos". The signature is written in a cursive style with a large initial "D" and "K".

David J. Kappos
Director of the United States Patent and Trademark Office

(12) **United States Design Patent**
van Deursen

(10) **Patent No.:** **US D644,993 S**

(45) **Date of Patent:** **** Sep. 13, 2011**

(54) **PORTABLE GENERATOR**

OTHER PUBLICATIONS

(75) **Inventor:** **Gary E. van Deursen, Essex, CT (US)**

Product Information, printed from www.briggsandstratton.com/engine_power/details.aspx on Feb. 17, 2010, 16 pages.

(73) **Assignee:** **Briggs & Stratton Corporation, Wauwatosa, WI (US)**

Primary Examiner Stella Reid
Assistant Examiner — Derrick Holland

(**) **Term:** **14 Years**

(74) *Attorney, Agent, or Firm* **Foley & Lardner LLP**

(21) **Appl. No.:** **29/379,743**

(57) **CLAIM**

I claim the ornamental design for a portable generator, as shown and described.

(22) **Filed:** **Nov. 23, 2010**

DESCRIPTION

Related U.S. Application Data

(62) Division of application No. 29/357,171, filed on Mar. 8, 2010, now Pat. No. Des. 629,748.

FIG. 1 is a front perspective view of a portable generator showing my new design;

(51) **LOC (9) Cl.** **13-01**

FIG. 2 is a rear perspective view from above of the claimed design of FIG. 1;

(52) **U.S. Cl.** **D13/116; D13/122**

FIG. 3 is a right side view of the claimed design of FIG. 1;

(58) **Field of Classification Search** **D13/116,**

D13/112, 114, 122, 184, 199; D6/329, 462;

D15/33; D34/12, 17, 23, 24, 26; 219/56,

219/57; 290/1 A, 1 B, 1 R; 307/150, 153;

310/50, 89, 158, 418; 123/2, 3

See application file for complete search history.

FIG. 4 is a front view of the claimed design of FIG. 1;

FIG. 5 is a left side view of the claimed design of FIG. 1;

FIG. 6 is a rear view of the claimed design of FIG. 1;

FIG. 7 is a top view of the claimed design of FIG. 1;

FIG. 8 is a bottom view of the claimed design of FIG. 1; and

FIG. 9 is a front perspective view from above of the claimed design of FIG. 1 in a second configuration.

FIG. 10 is a front perspective view from above of a second embodiment of the claimed design.

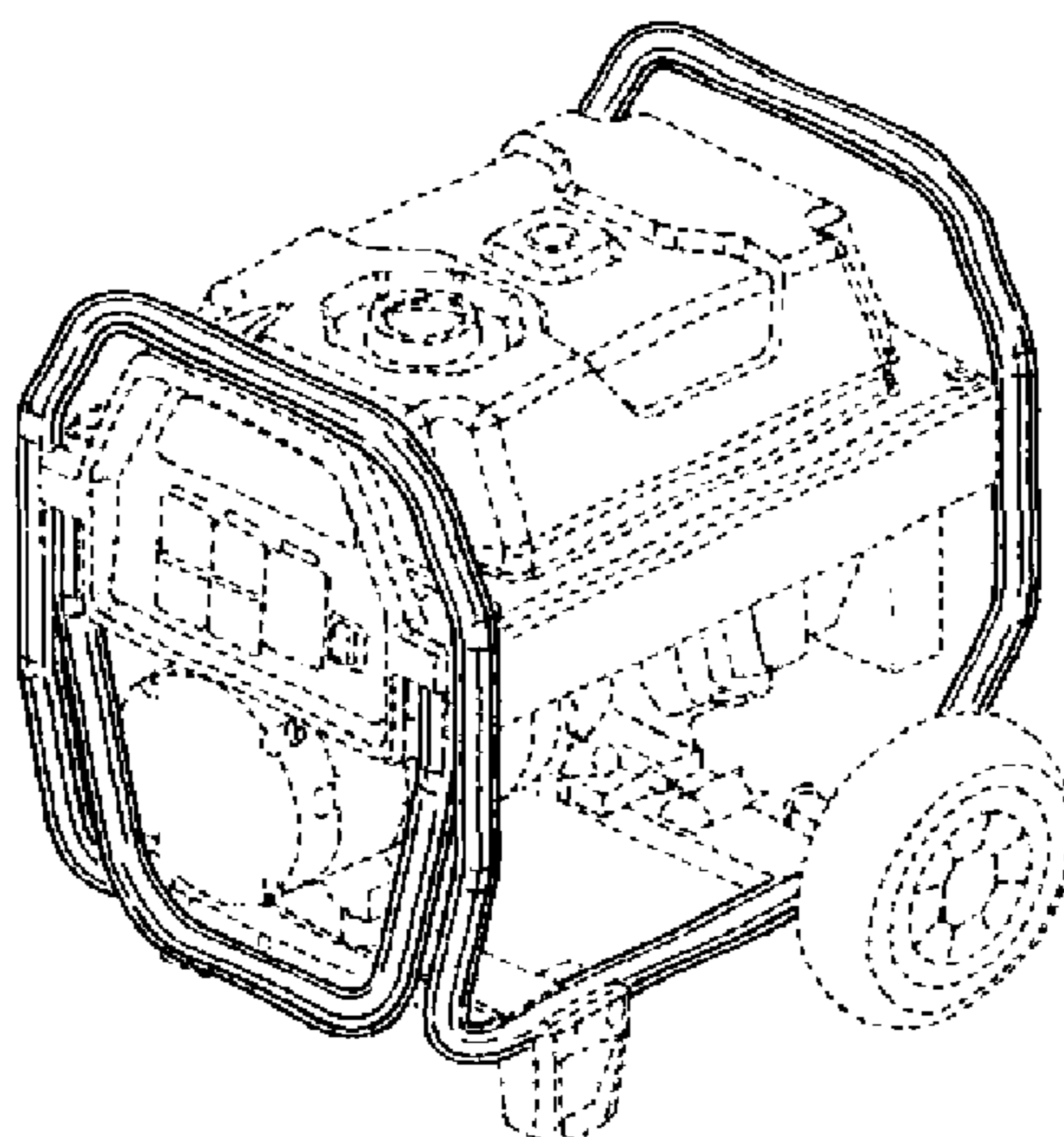
(56) **References Cited**

U.S. PATENT DOCUMENTS

D106,969 S	11/1937	Gerald	
D276,997 S	1/1985	Mikado	
4,503,812 A *	3/1985	Eberhardt	123/2
D278,425 S	4/1985	Toshihiko	
D284,415 S	6/1986	Cahoon	
D293,904 S	1/1988	Murakami et al.	
4,741,505 A	5/1988	Anderson	
5,965,949 A	10/1999	Fukuda et al.	
D418,809 S	1/2000	Frank	
6,424,060 B1	7/2002	Shiely et al.	

1 Claim, 10 Drawing Sheets

(Continued)



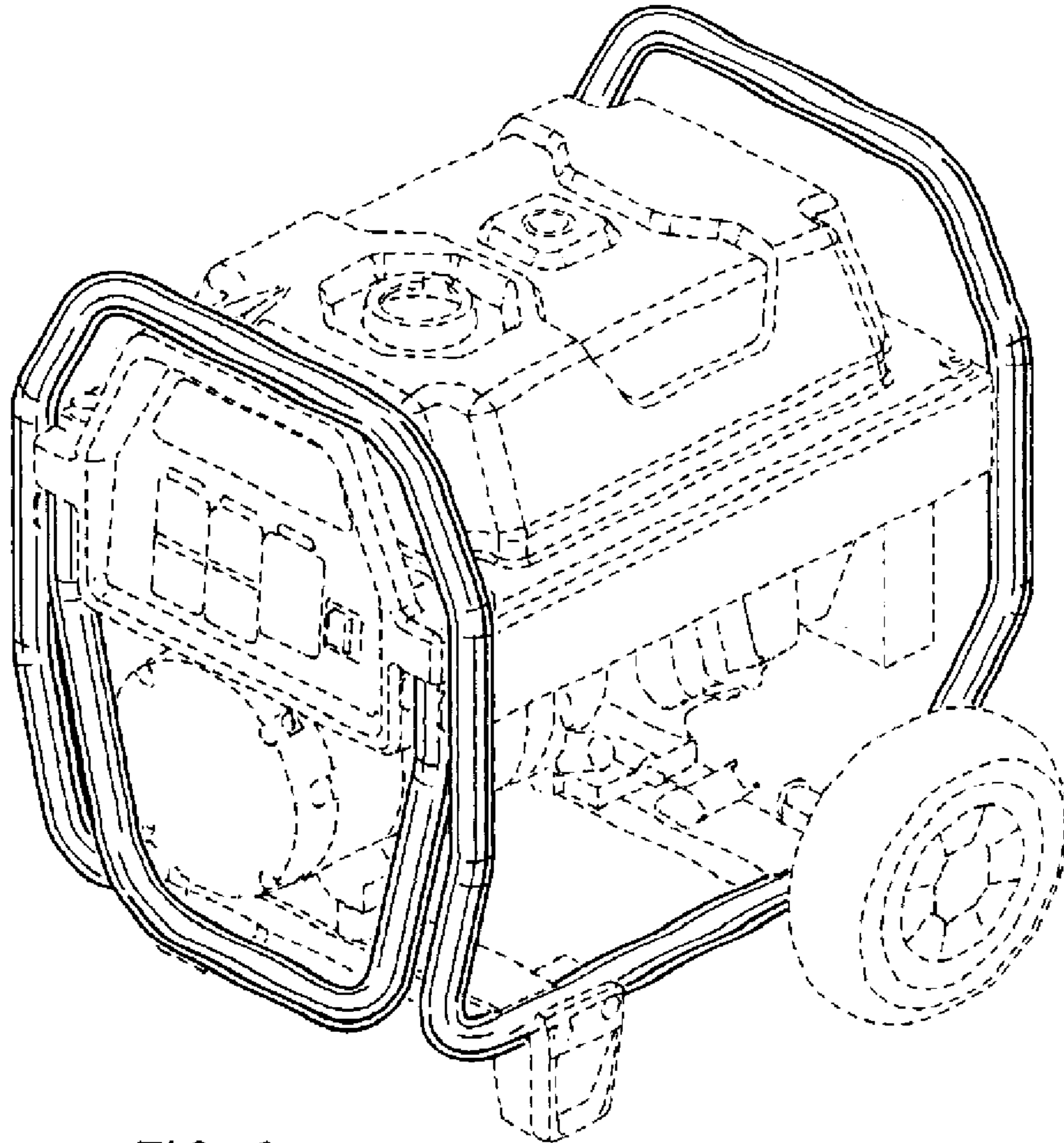
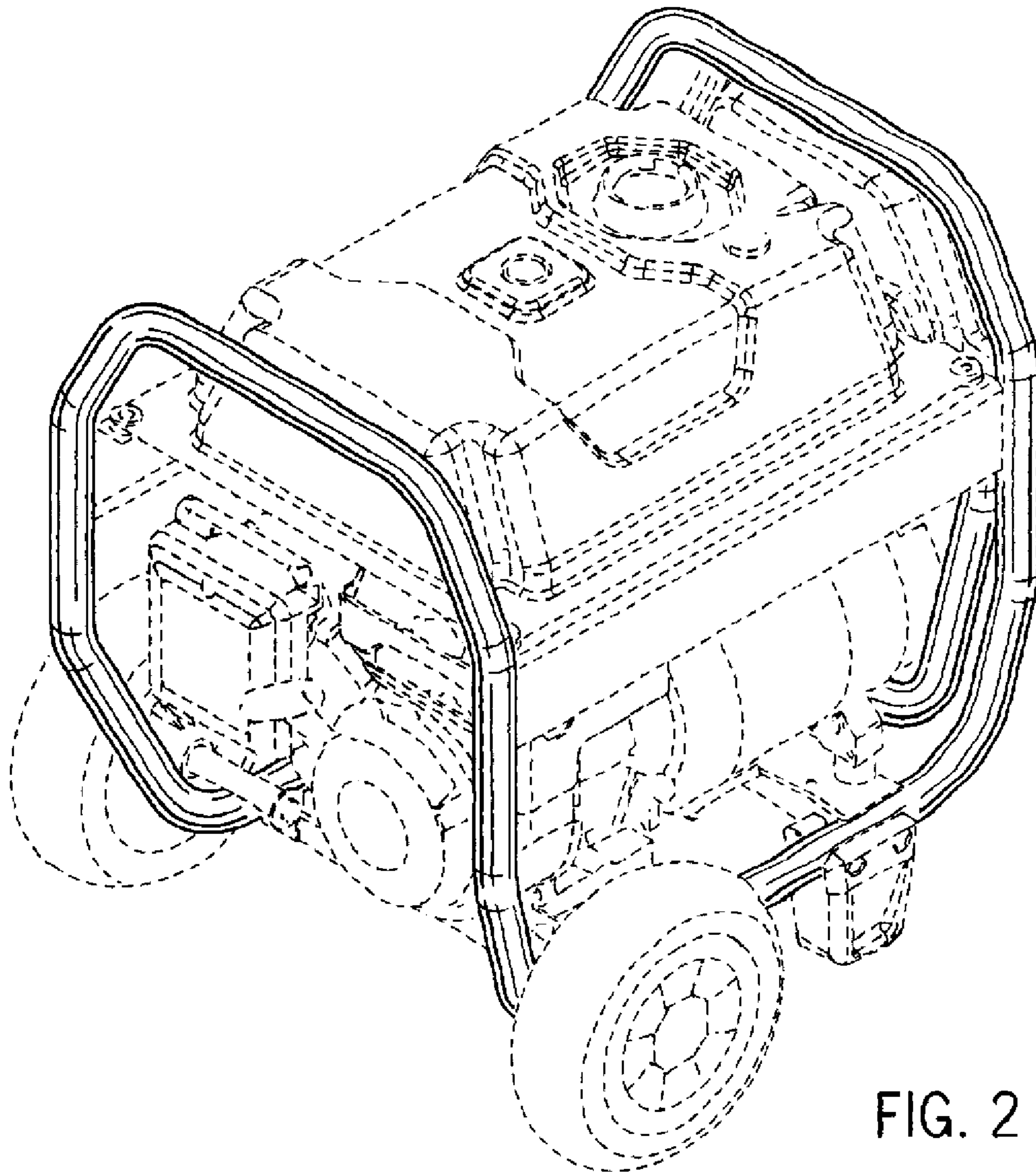


FIG. 1



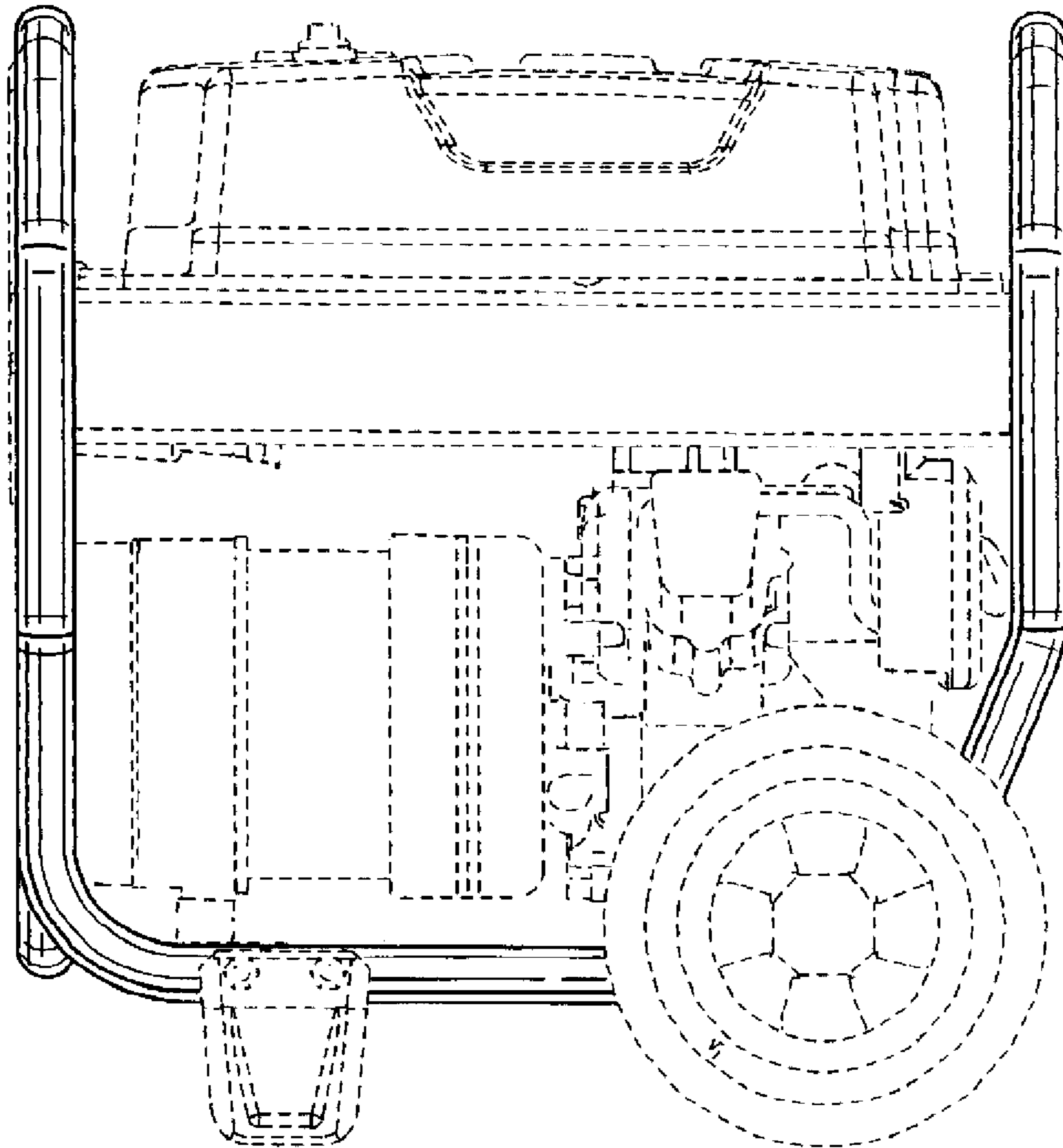


FIG. 3

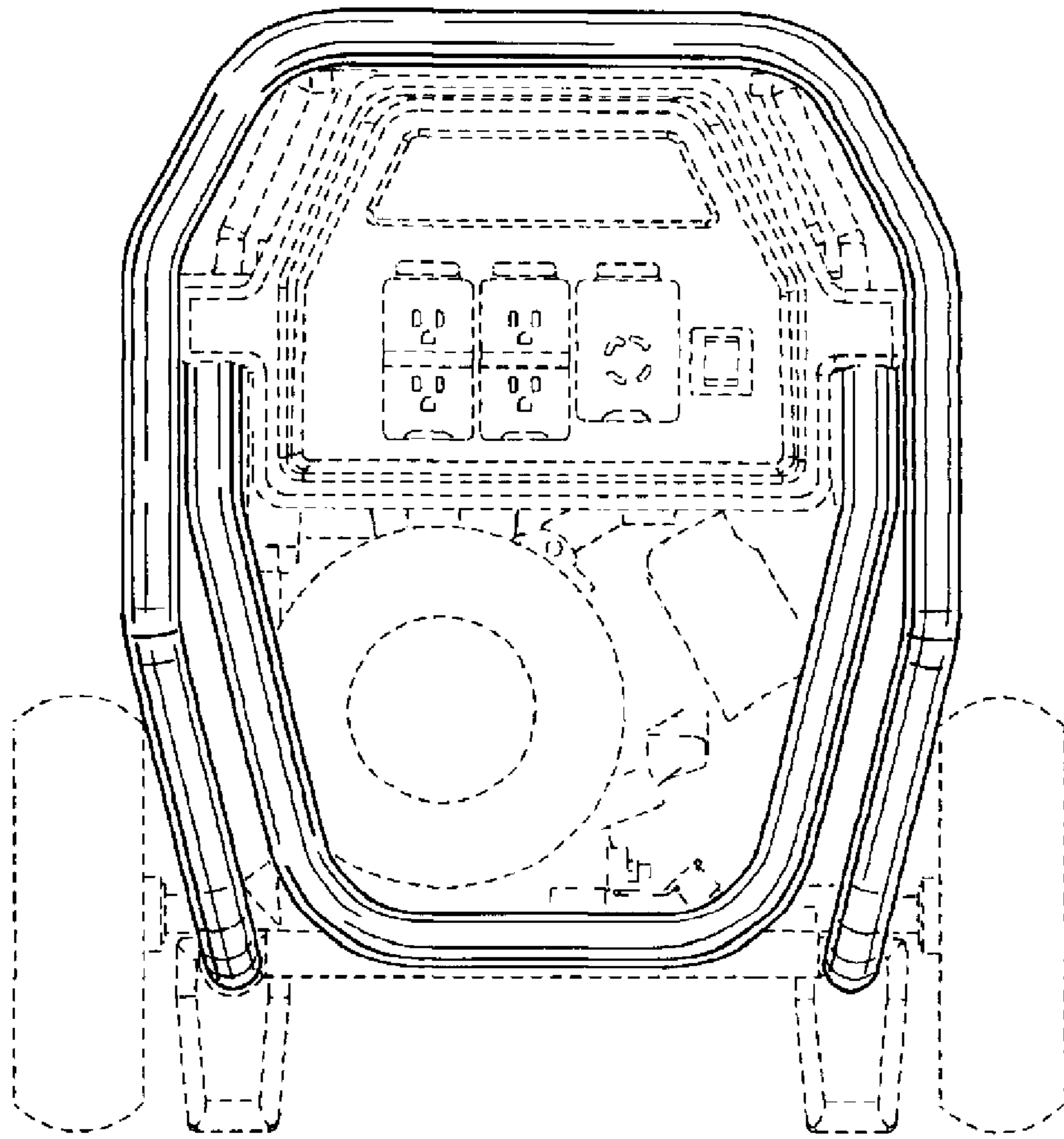


FIG. 4

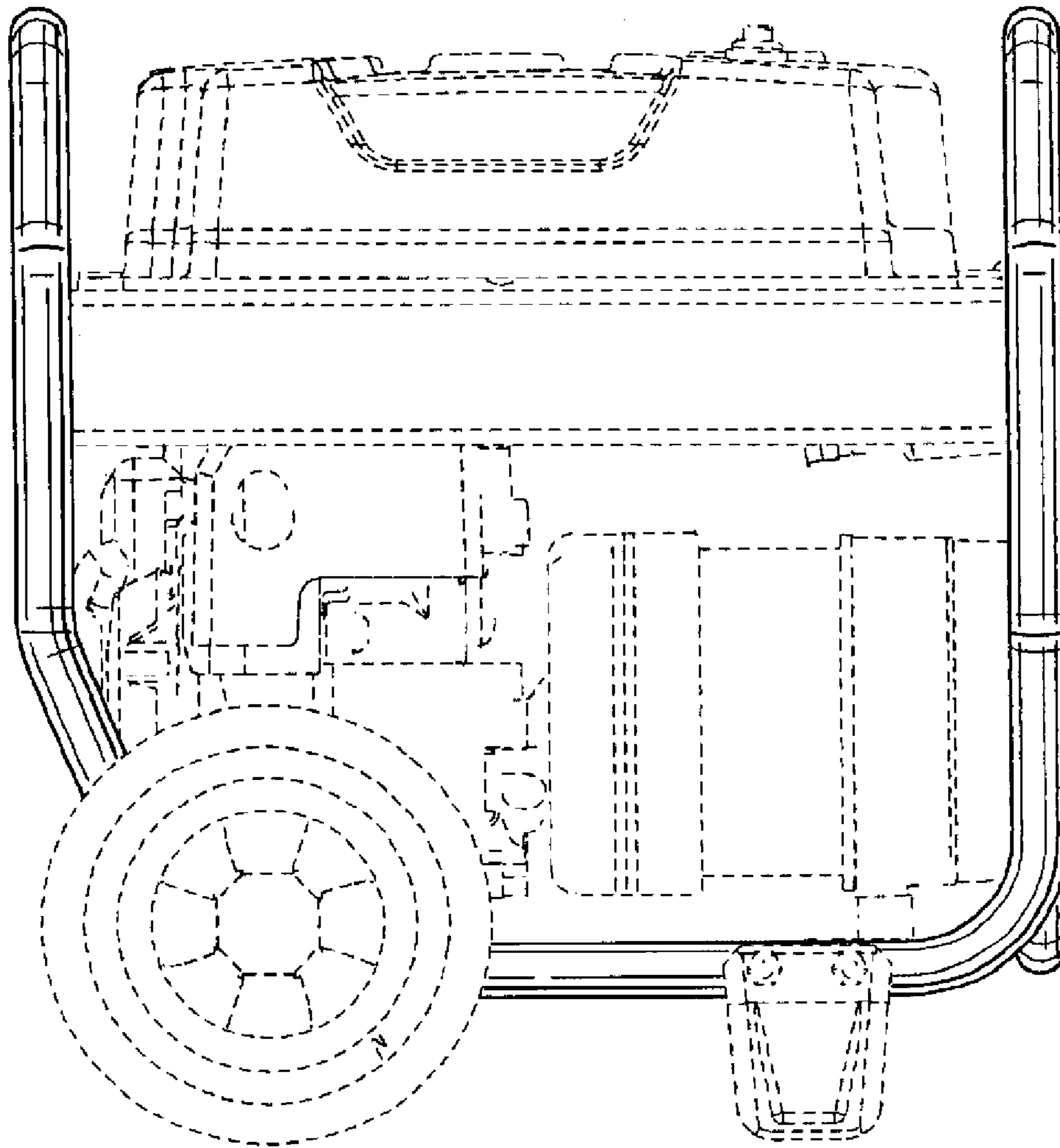


FIG. 5

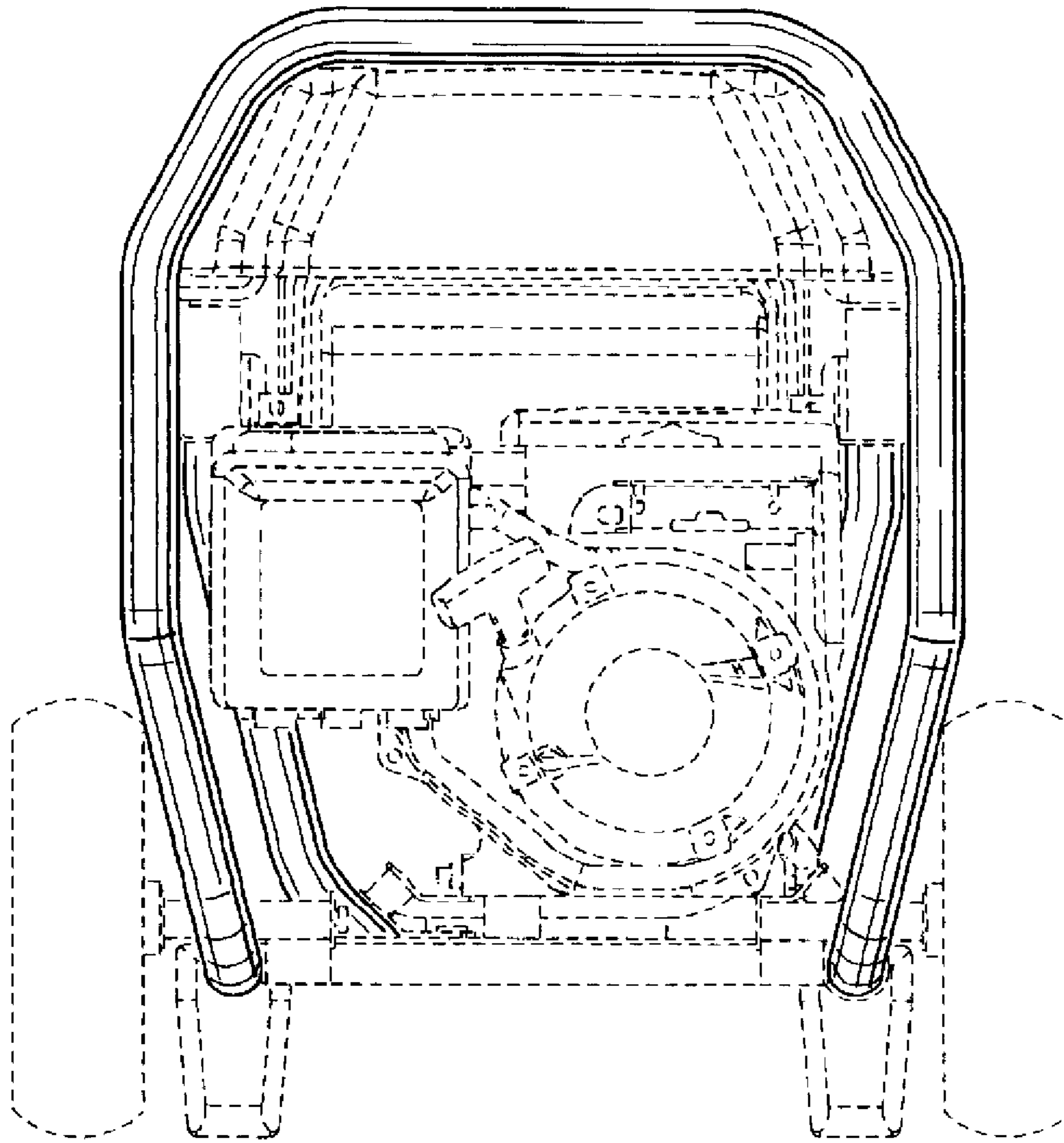


FIG. 6

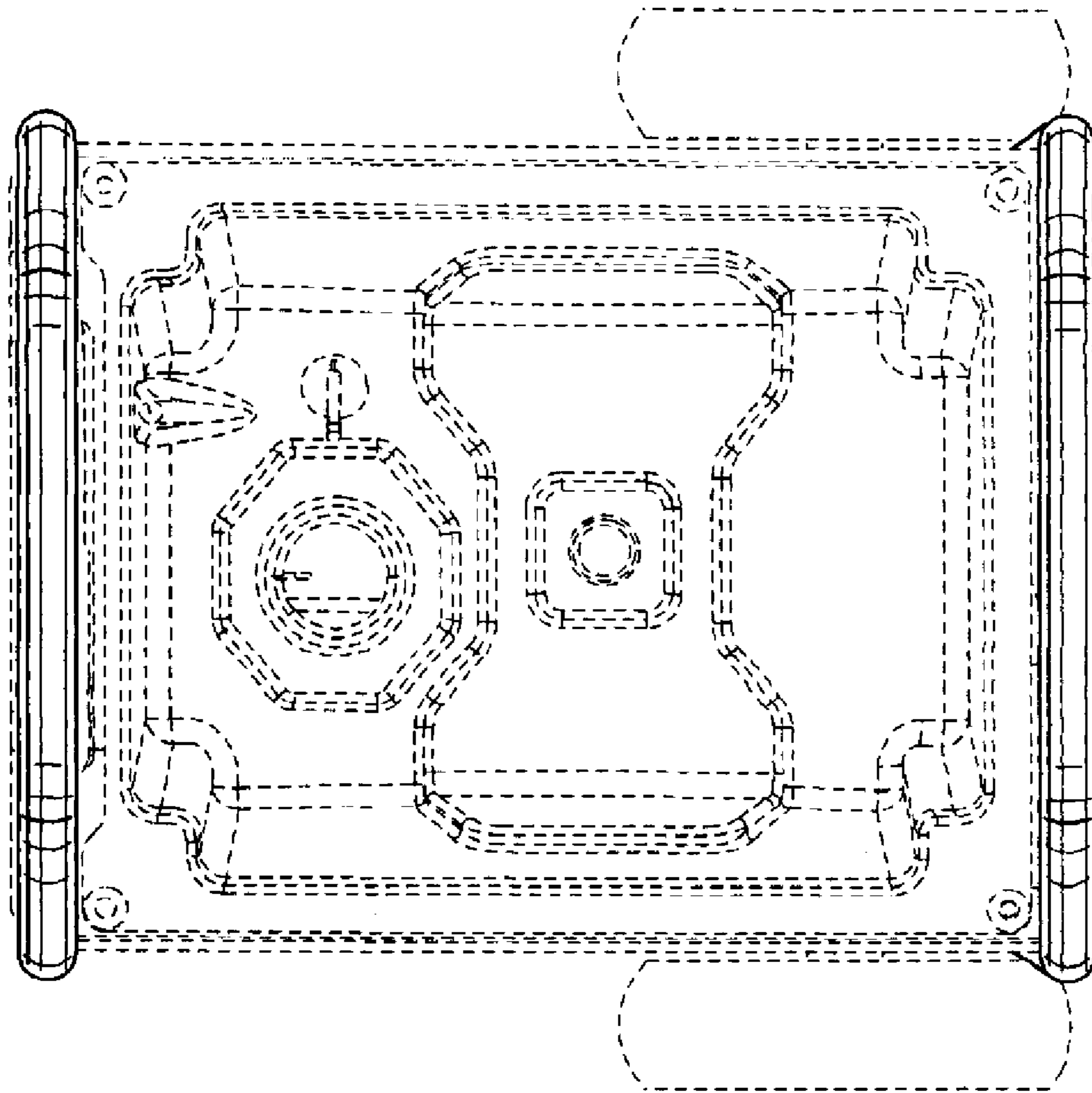


FIG. 7

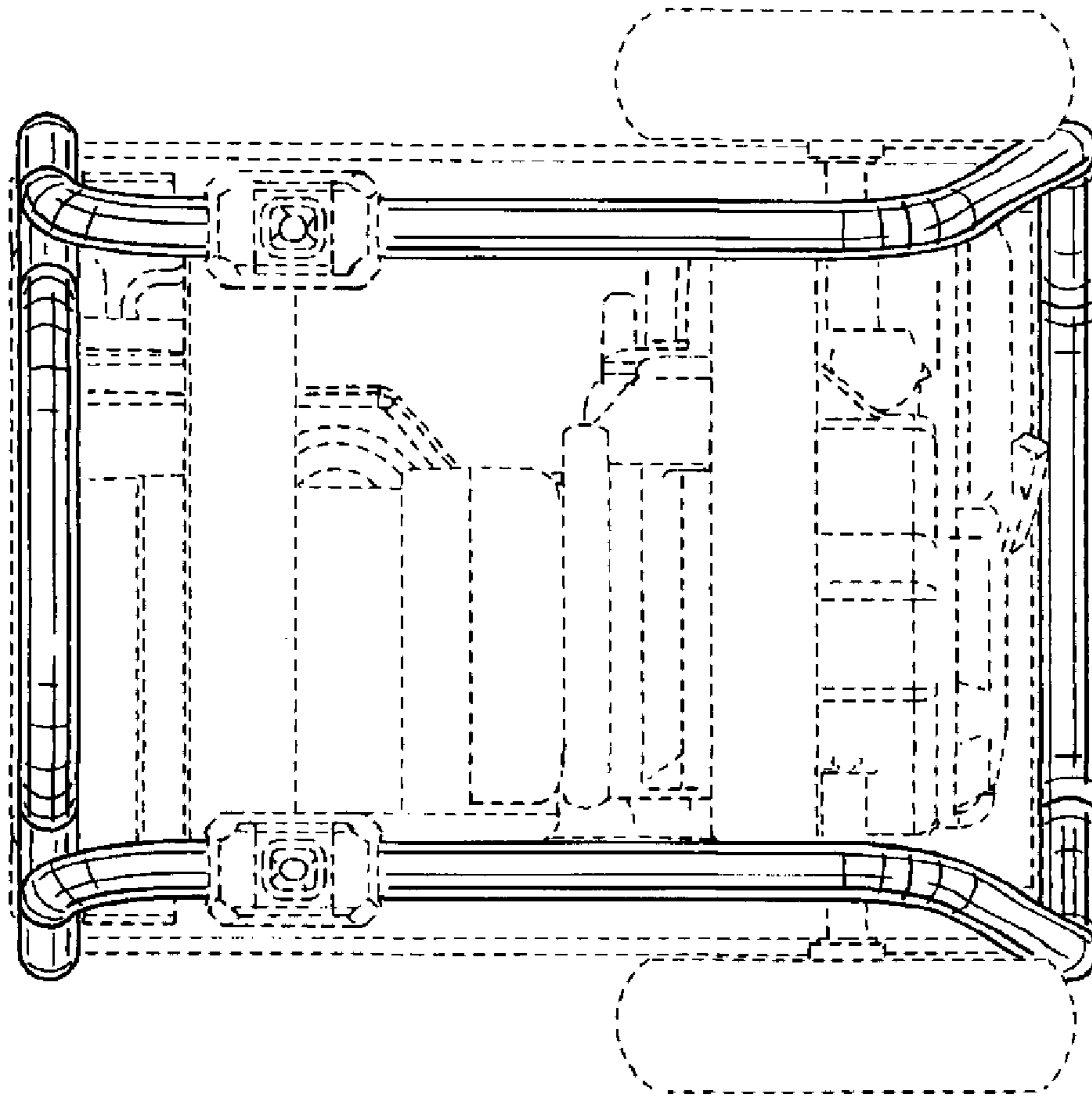


FIG. 8

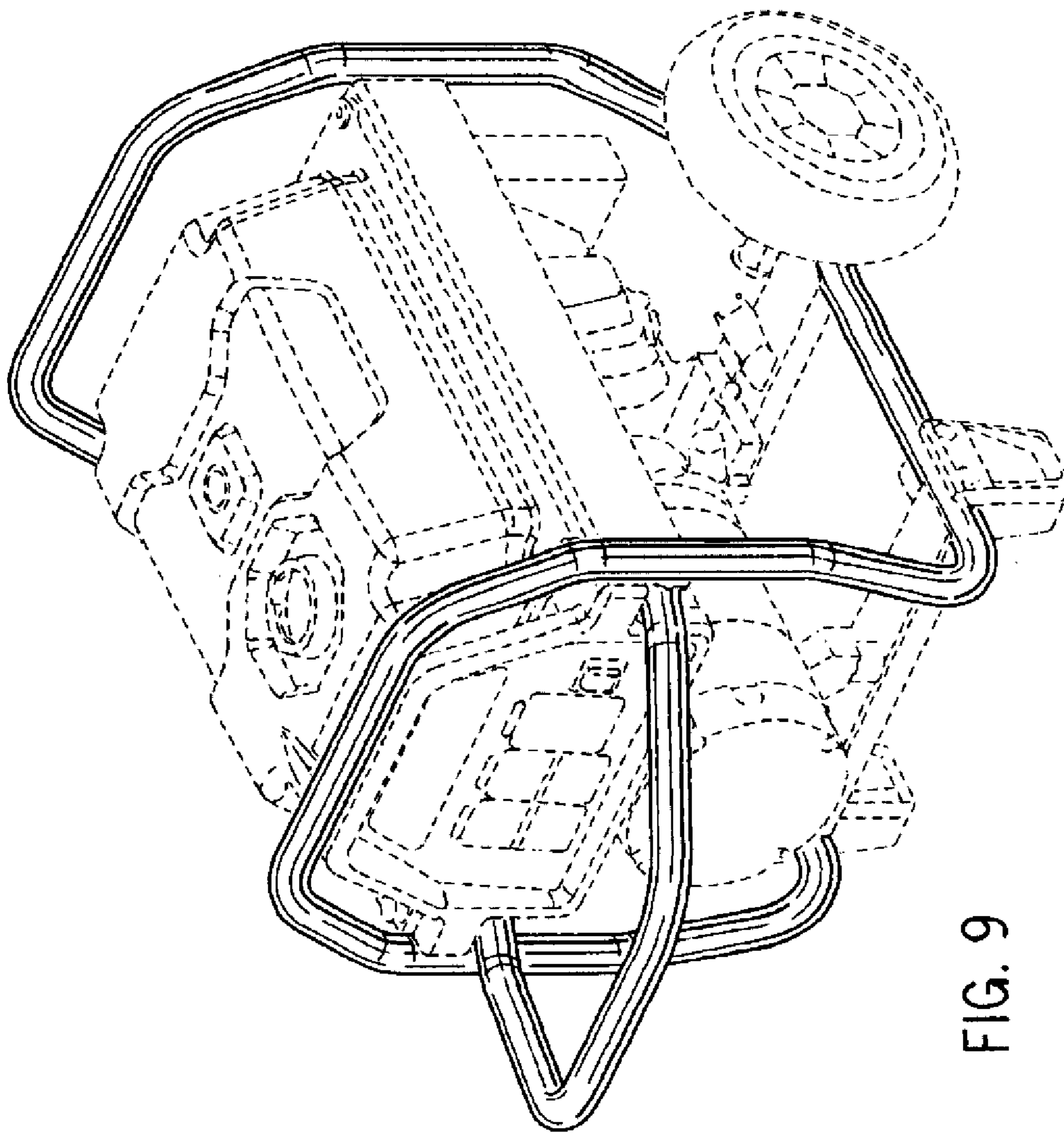


FIG. 9

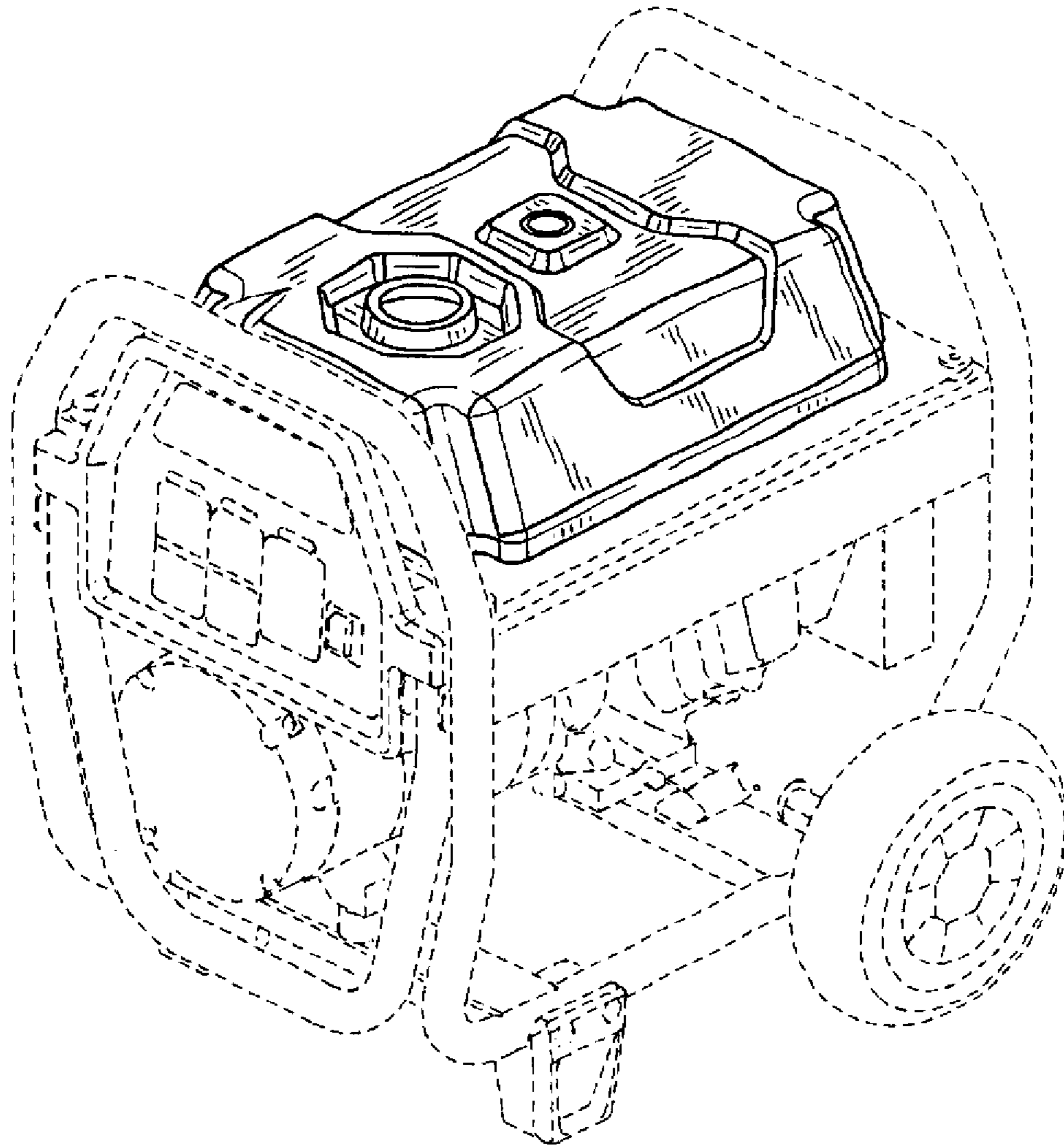


FIG. 10

UNITED STATES PATENT AND TRADEMARK OFFICE
CERTIFICATE OF CORRECTION

PATENT NO. : D644,993 S
APPLICATION NO. : 29/379743
DATED : September 13, 2011
INVENTOR(S) : Gary E. van Deursen

Page 1 of 11

It is certified that error appears in the above-identified patent and that said Letters Patent is hereby corrected as shown below:

Delete the title page and substitute therefore the attached title page showing the corrected DESCRIPTION and number of drawing sheets in patent.

Delete Drawing Sheets 1-17 and substitute therefore the attached Drawing Sheets 1-9. FIGS. 10-17 have been cancelled.

This certificate supersedes the Certificate of Correction issued March 20, 2012.

Signed and Sealed this
Fourteenth Day of August, 2012

A handwritten signature in black ink that reads "David J. Kappos". The signature is written in a cursive, slightly slanted style.

David J. Kappos
Director of the United States Patent and Trademark Office

(12) **United States Design Patent**
van Deursen

(10) **Patent No.:** **US D644,993 S**

(45) **Date of Patent:** **** Sep. 13, 2011**

(54) **PORTABLE GENERATOR**

OTHER PUBLICATIONS

(75) **Inventor:** **Gary E. van Deursen, Essex, CT (US)**

Product Information, printed from www.briggsandstratton.com/engine_power/details.aspx on Feb. 17, 2010, 16 pages.

(73) **Assignee:** **Briggs & Stratton Corporation, Wauwatosa, WI (US)**

Primary Examiner -- Stella Reid
Assistant Examiner -- Derrick Holland

(***) **Term:** **14 Years**

(74) **Attorney, Agent, or Firm:** **Foley & Lardner LLP**

(21) **Appl. No.:** **29/379,743**

(57) **CLAIM**

I claim the ornamental design for a portable generator, as shown and described.

(22) **Filed:** **Nov. 23, 2010**

DESCRIPTION

Related U.S. Application Data

(62) Division of application No. 29/357,171, filed on Mar. 8, 2010, now Pat. No. Des. 629,748.

FIG. 1 is a front perspective view of a portable generator showing my new design;

(51) **LOC (9) CL.** **13-01**

FIG. 2 is a rear perspective view from above of the claimed design of FIG. 1;

(52) **U.S. CL.** **D13/116; D13/122**

FIG. 3 is a right side view of the claimed design of FIG. 1;

(53) **Field of Classification Search** **D13/116,**

D13/112, 114, 122, 184, 199; D6/329, 462;

FIG. 4 is a front view of the claimed design of FIG. 1;

D15/33; D34/12, 17, 23, 24, 26; 219/56,

FIG. 5 is a left side view of the claimed design of FIG. 1;

219/57; 290/1 A, 1 B, 1 R; 307/150, 153;

FIG. 6 is a rear view of the claimed design of FIG. 1;

310/50, 89, 158, 418; 123/2, 3

FIG. 7 is a top view of the claimed design of FIG. 1;

See application file for complete search history.

FIG. 8 is a bottom view of the claimed design of FIG. 1; and

FIG. 9 is a front perspective view from above of the claimed design of FIG. 1 in a second configuration.

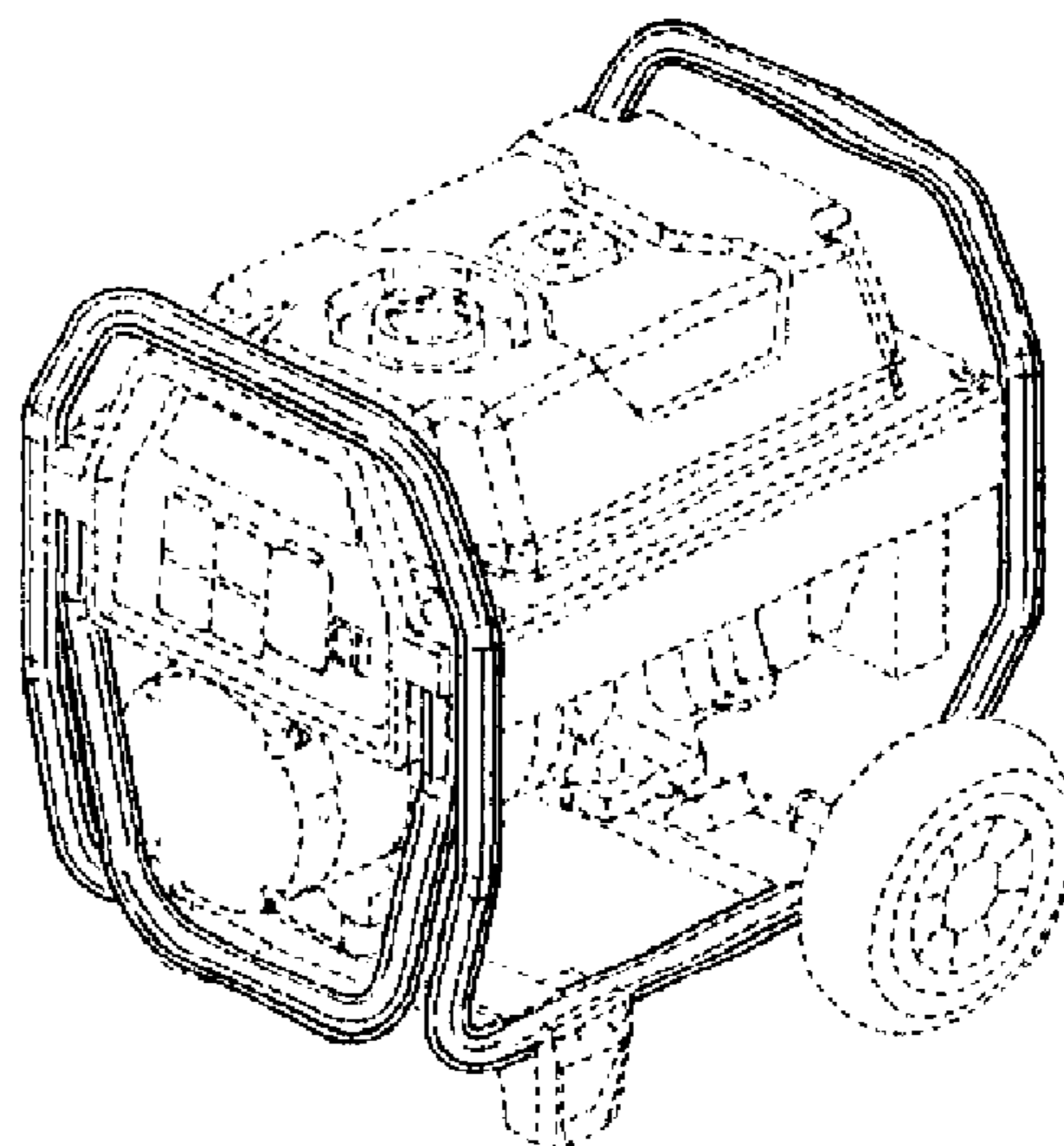
(56) **References Cited**

1 Claim, 9 Drawing Sheets

U.S. PATENT DOCUMENTS

D106,969 S	11/1937	Gerald	
D276,997 S	1/1985	Mikado	
4,503,812 A	3/1985	Eberhardt	123/2
D,78,425 S	4/1985	Toshihiko	
D284,115 S	6/1986	Caloon	
D293,904 S	1/1988	Murakami et al.	
4,741,505 A	5/1988	Anderson	
5,968,949 A	10/1999	Fukuda et al.	
D418,809 S	1/2000	Frank	
6,474,060 B1	7/2002	Shiely et al.	

(Continued)



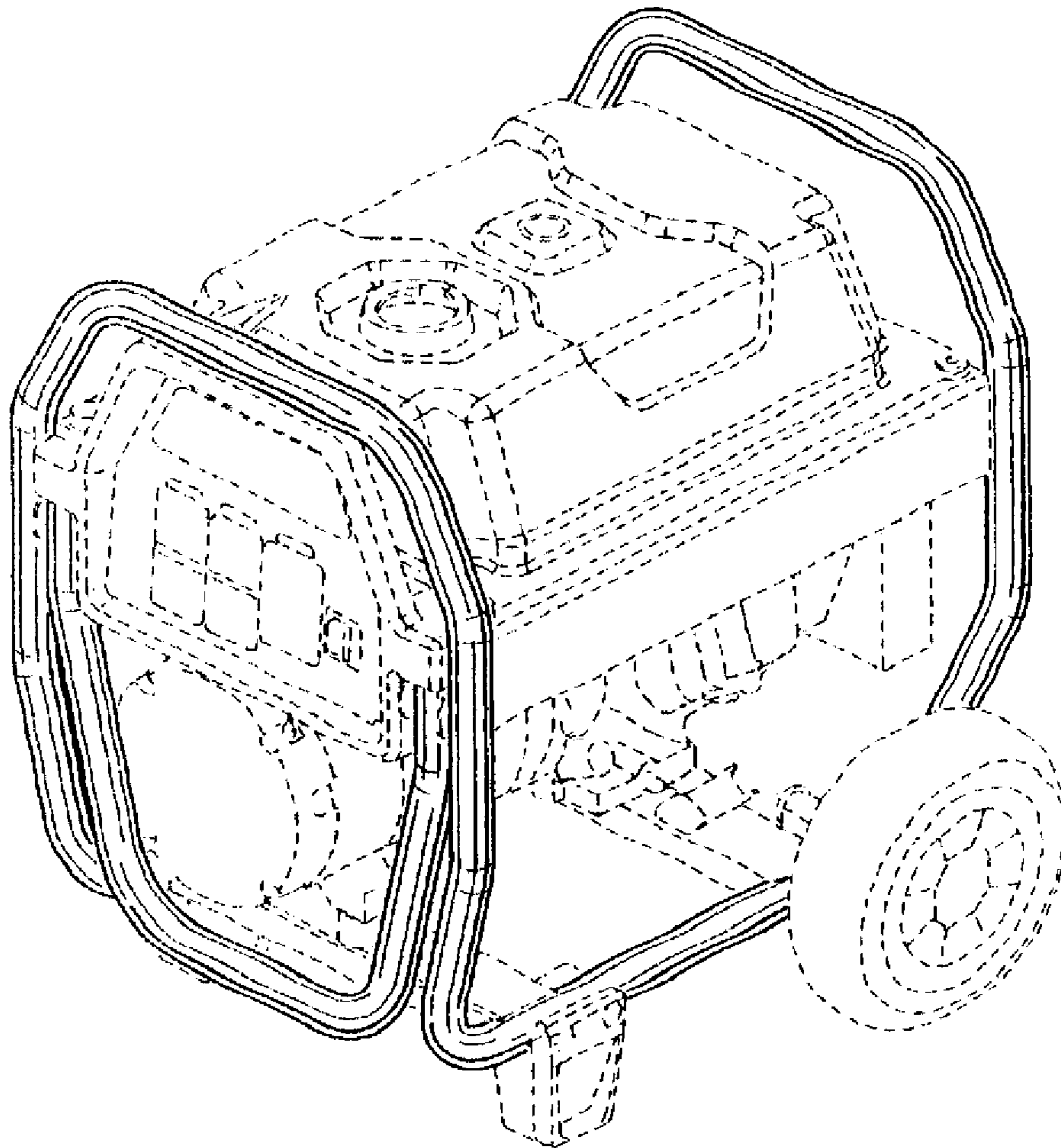


FIG. 1

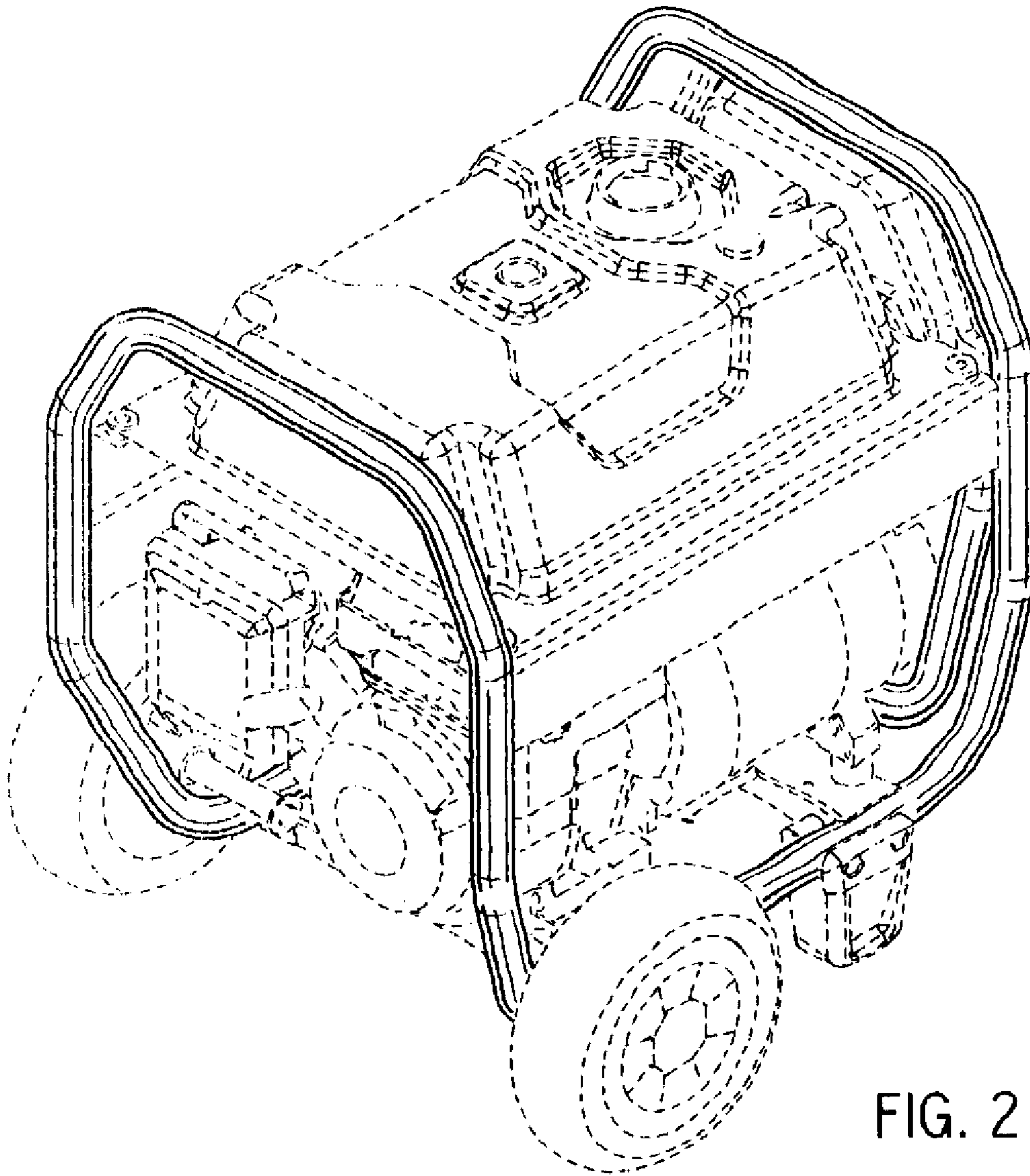


FIG. 2

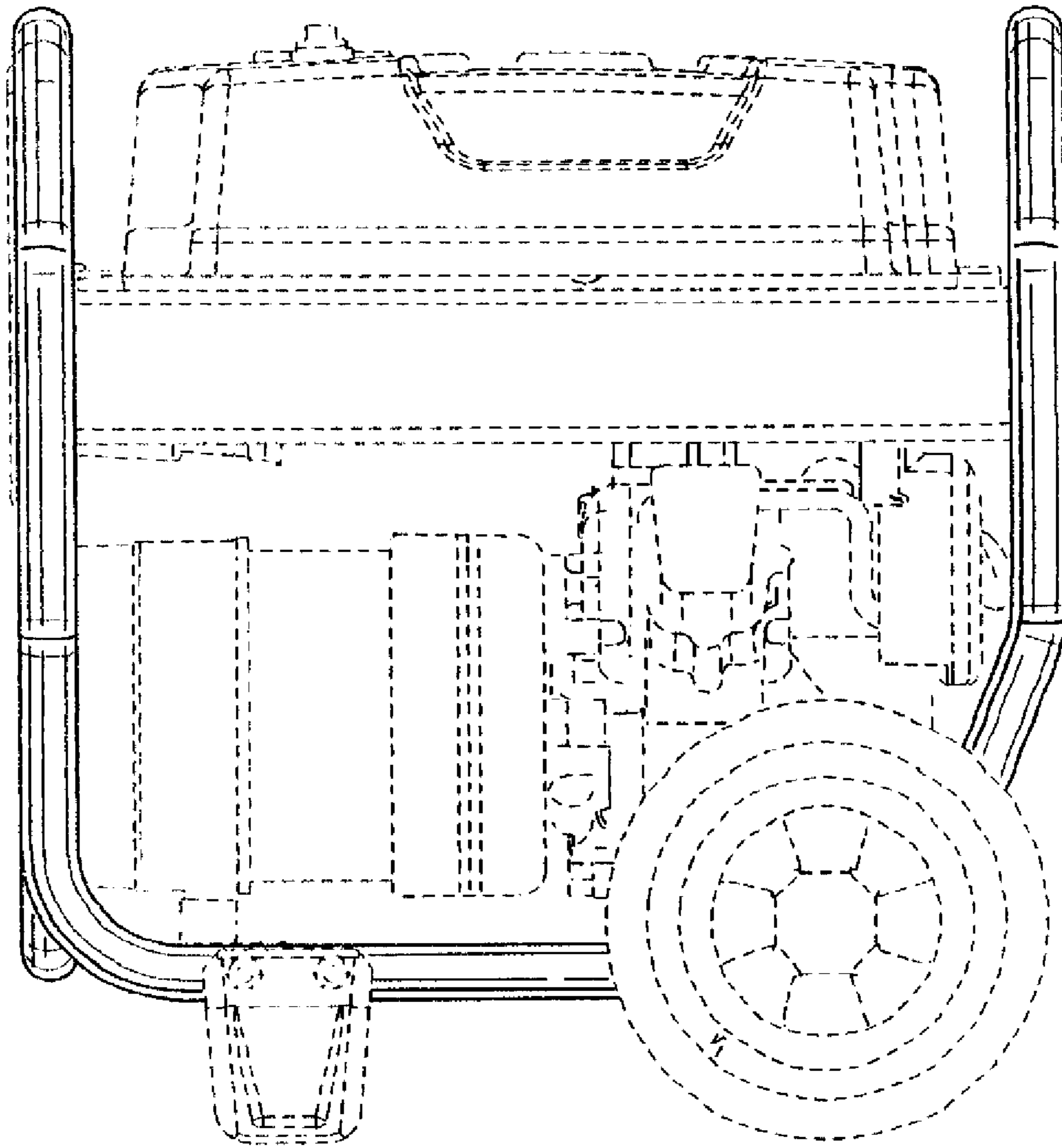


FIG. 3

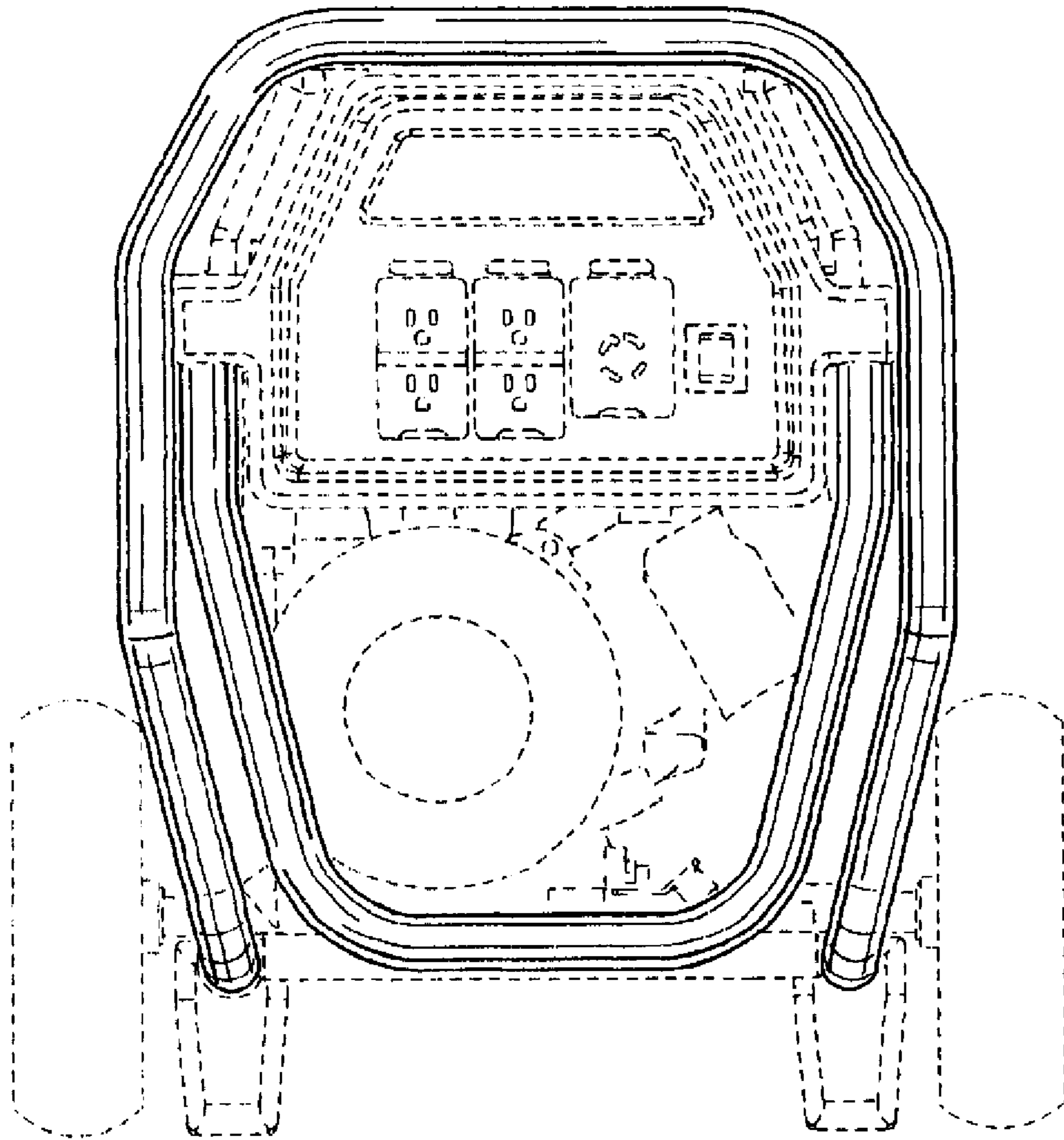


FIG. 4

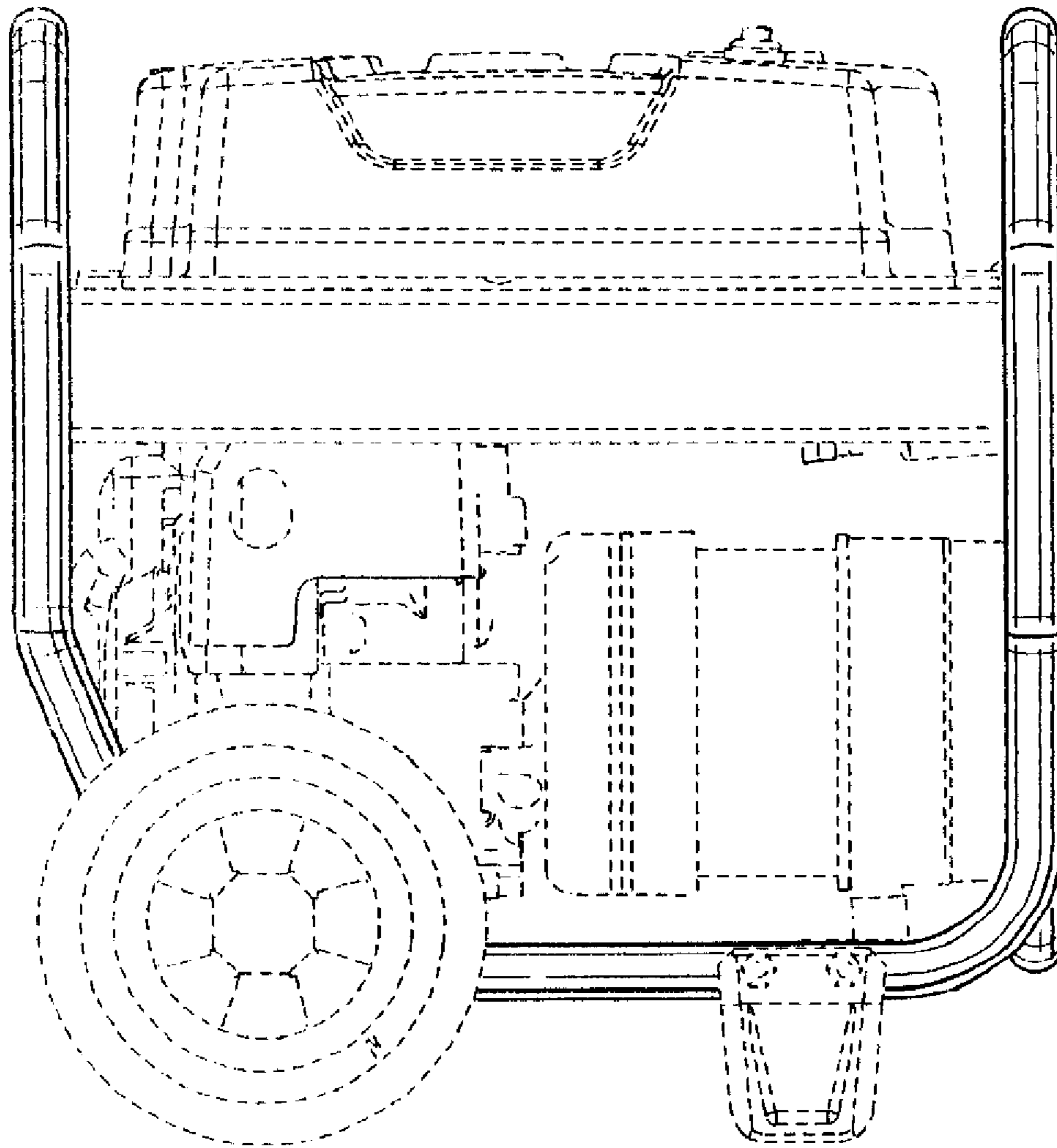


FIG. 5

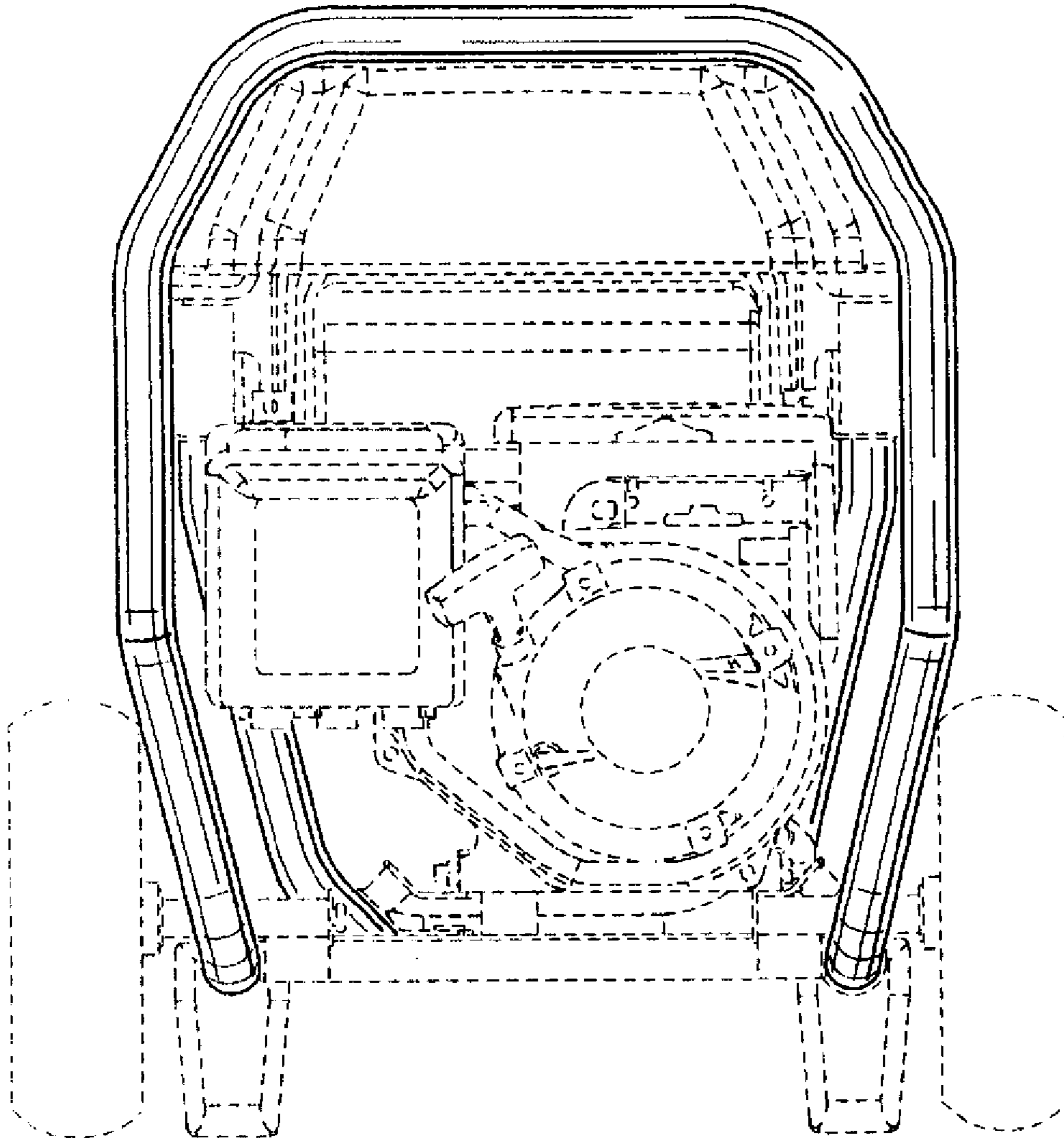


FIG. 6

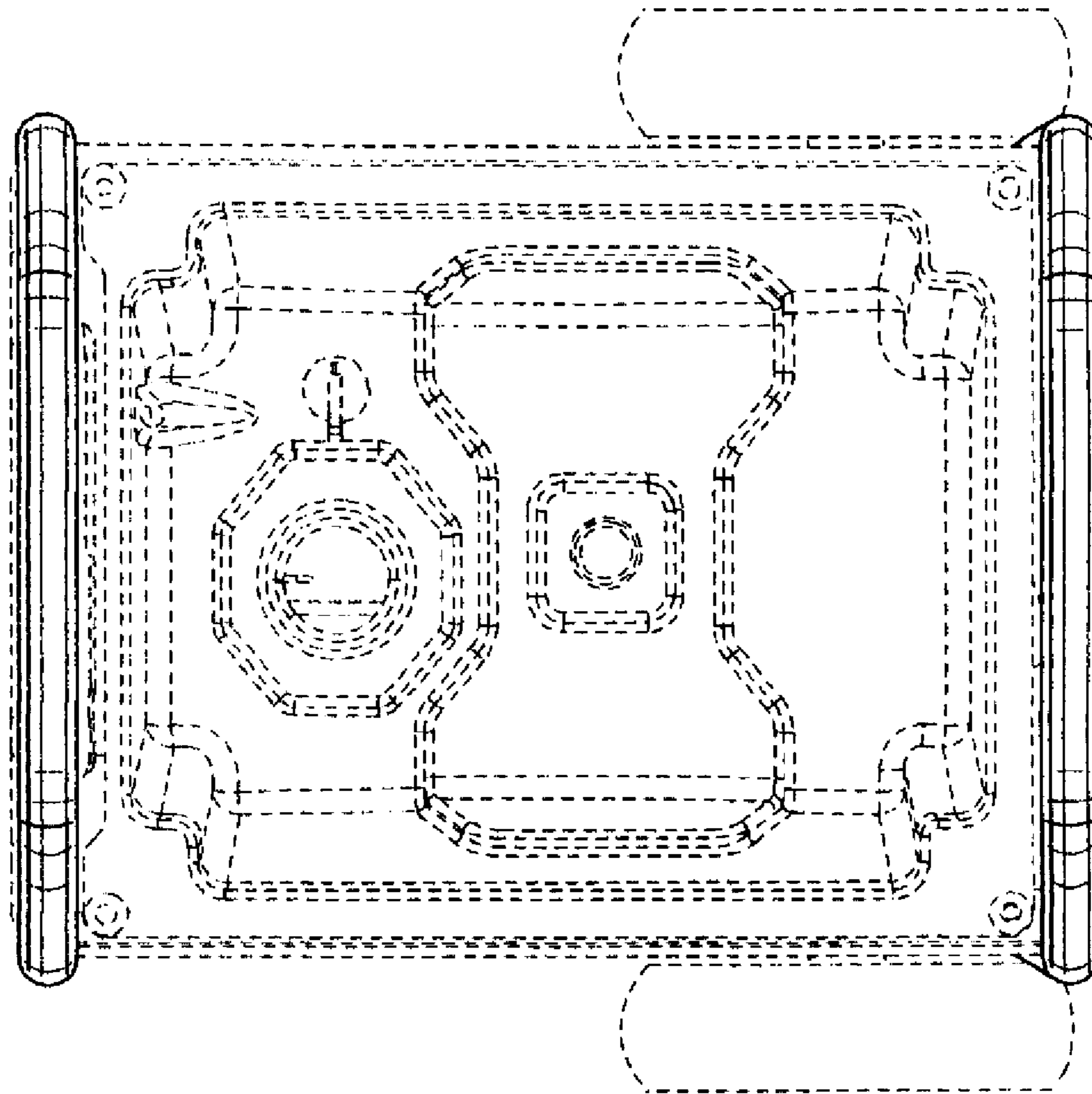


FIG. 7

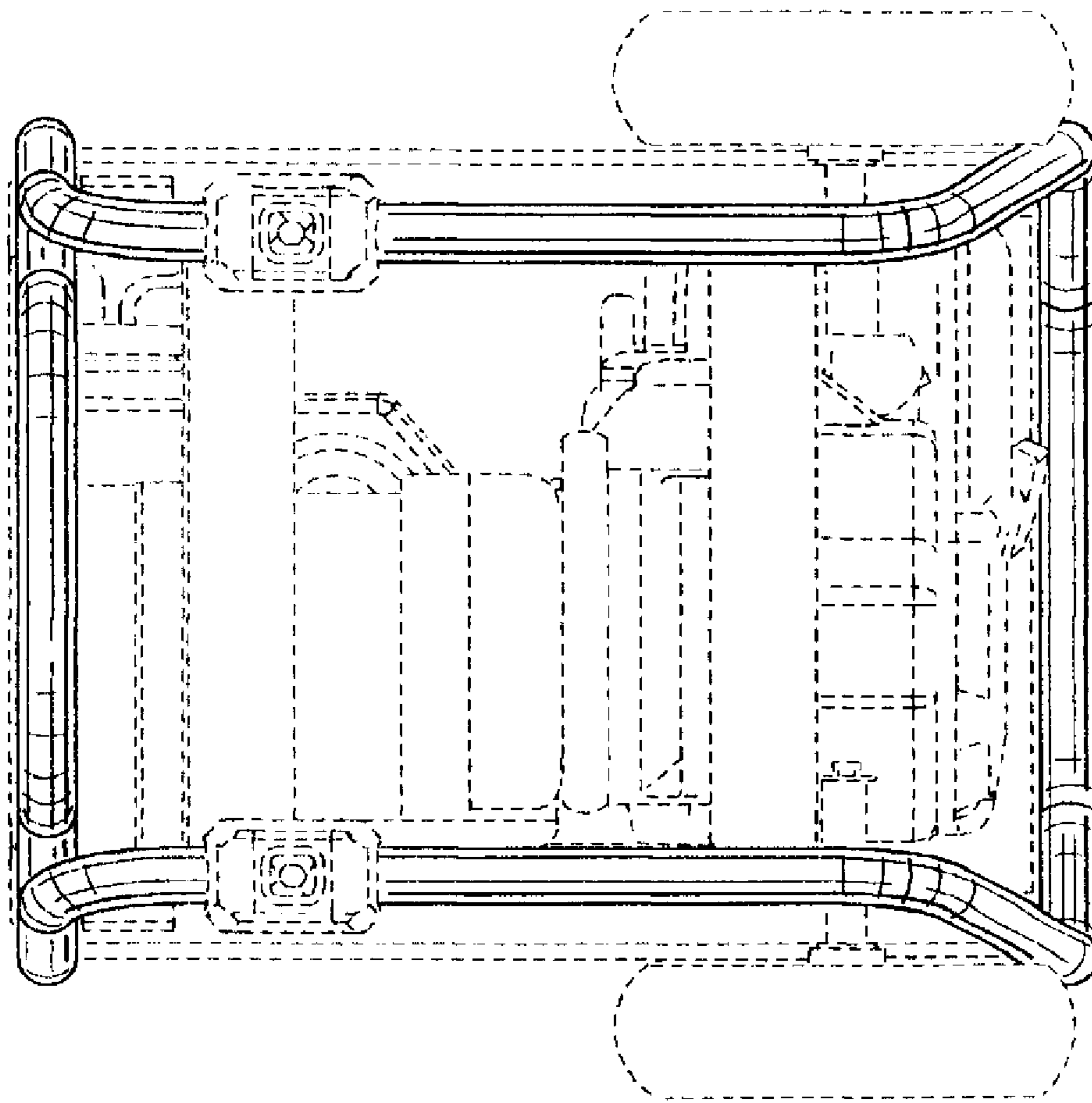


FIG. 8

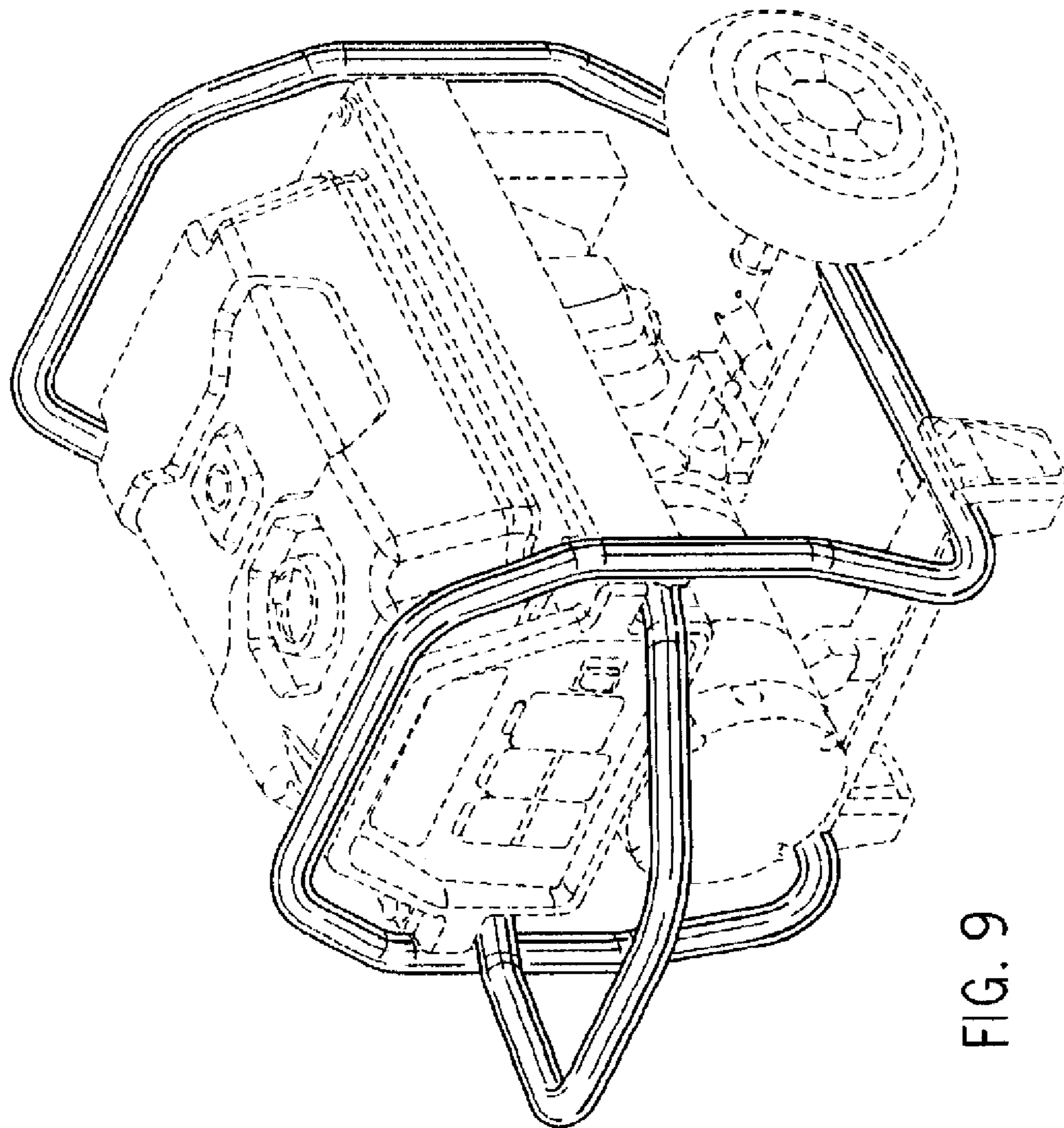


FIG. 9