



US00D644990S

(12) **United States Design Patent**
Tseng

(10) **Patent No.:** **US D644,990 S**

(45) **Date of Patent:** **** Sep. 13, 2011**

(54) **CAR CHARGER**

(75) Inventor: **Eric Tseng**, Taipei (TW)

(73) Assignee: **Nu Inc.**, Taipei (TW)

(**) Term: **14 Years**

(21) Appl. No.: **29/378,362**

(22) Filed: **Nov. 3, 2010**

(51) **LOC (9) Cl.** **13-02**

(52) **U.S. Cl.** **D13/108; D13/144**

(58) **Field of Classification Search** D13/107-110,
D13/133, 144, 184, 199; D14/155; 439/300,
439/620.01, 638, 668-669, 675, 825; 320/110-112,
320/114; 363/146

See application file for complete search history.

(56) **References Cited**

U.S. PATENT DOCUMENTS

D369,811 S	*	5/1996	Chen	D14/248
D465,781 S	*	11/2002	Fischer	D14/240
D494,542 S	*	8/2004	Hriscu et al.	D13/110
D526,962 S	*	8/2006	Krieger et al.	D13/144
D544,439 S	*	6/2007	Hussaini et al.	D13/110

D544,440 S	*	6/2007	Dayan	D13/110
D551,166 S	*	9/2007	Dayan	D13/110
D559,776 S	*	1/2008	Kim	D13/108
D620,441 S	*	7/2010	Hou	D13/144
D627,720 S	*	11/2010	DuMelle et al.	D13/110

* cited by examiner

Primary Examiner — Rosemary K Tarcza

(74) *Attorney, Agent, or Firm* — Apex Juris, pllc; Tracy M. Heims

(57) **CLAIM**

The ornamental design for a car charger, as shown and described.

DESCRIPTION

FIG. 1 is a perspective view of a car charger showing my new design;

FIG. 2 is a front elevation view thereof;

FIG. 3 is a rear elevation view thereof;

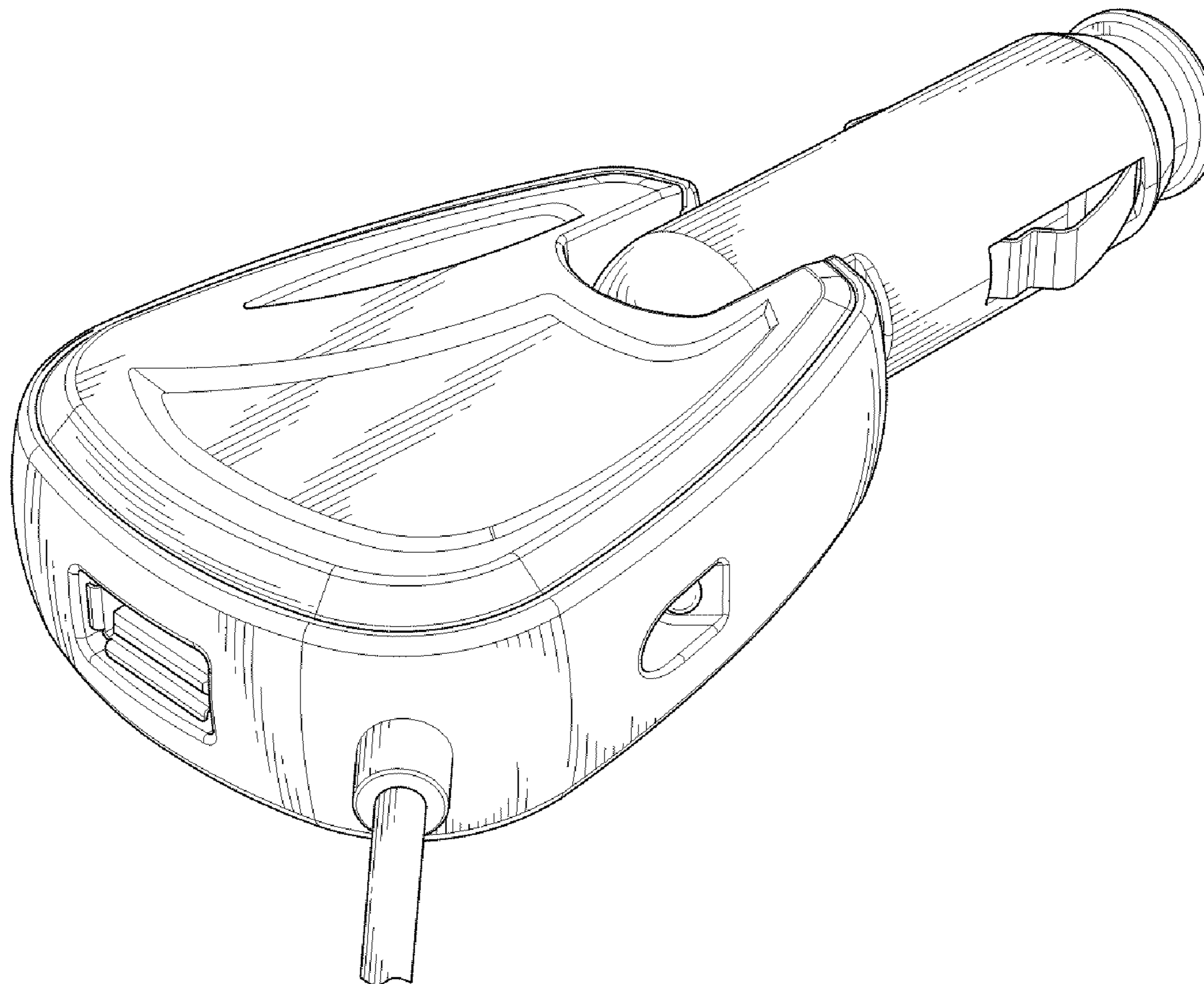
FIG. 4 is a left side elevation view thereof;

FIG. 5 is a right side elevation view thereof;

FIG. 6 is a top plan view thereof; and,

FIG. 7 is a bottom plan view thereof.

1 Claim, 5 Drawing Sheets



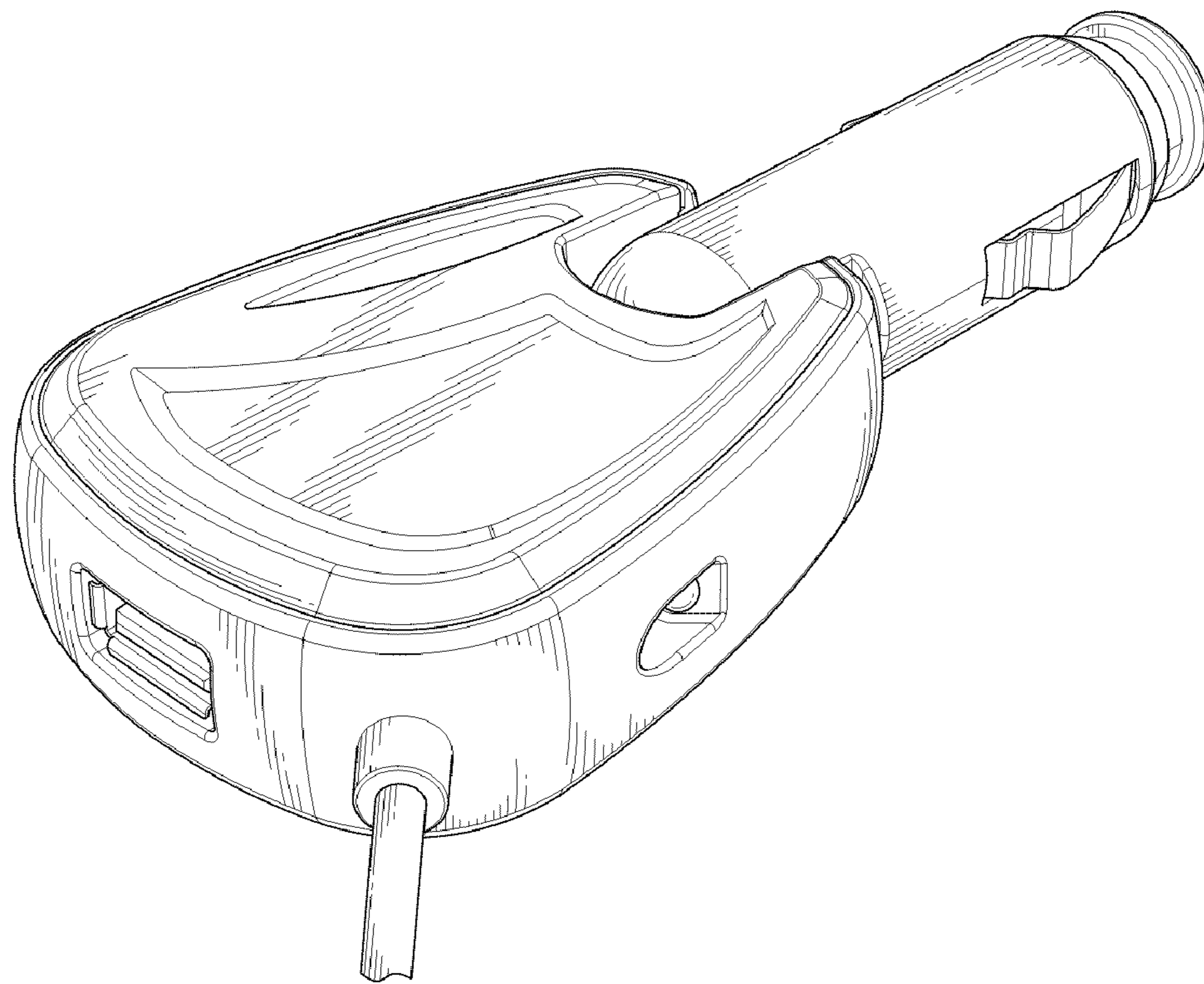


Fig. 1

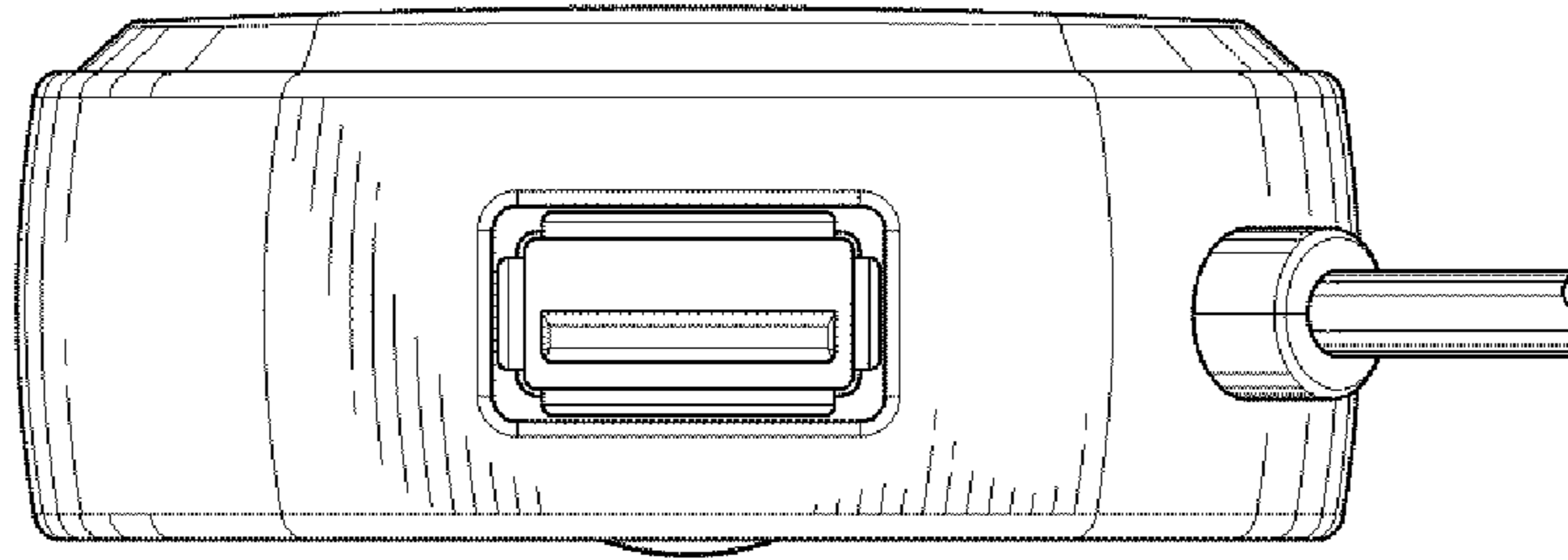


Fig. 2

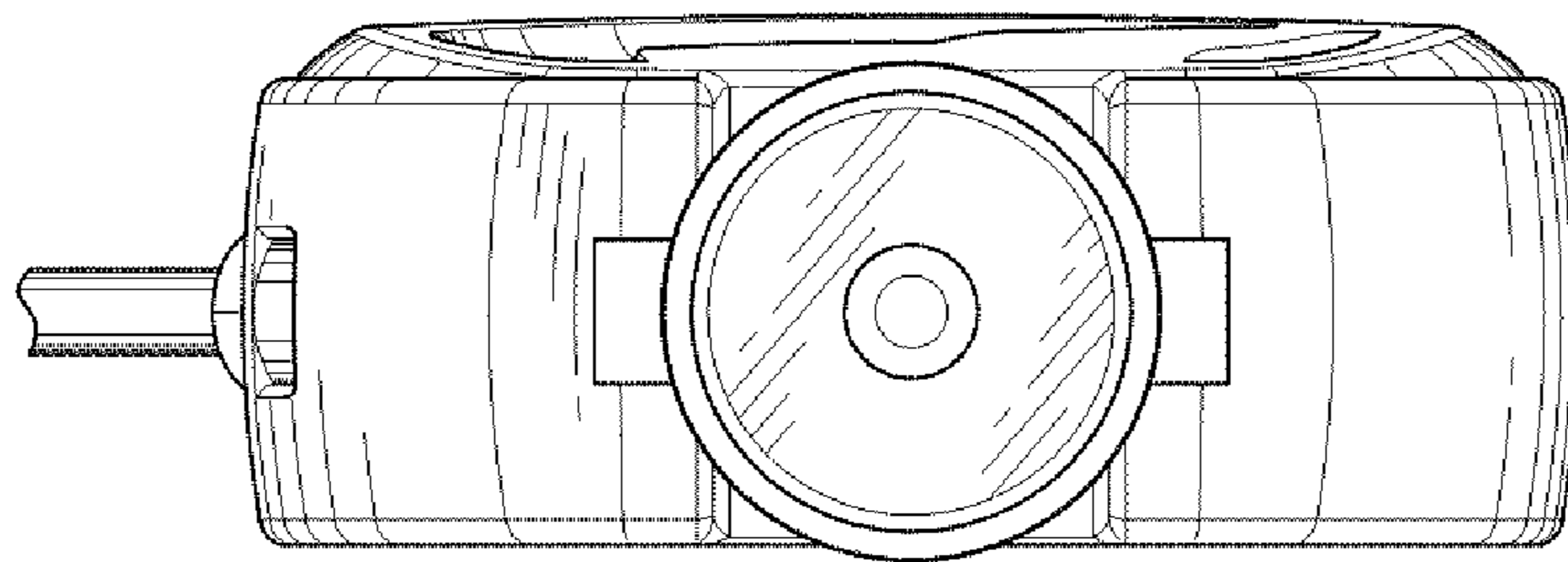


Fig. 3

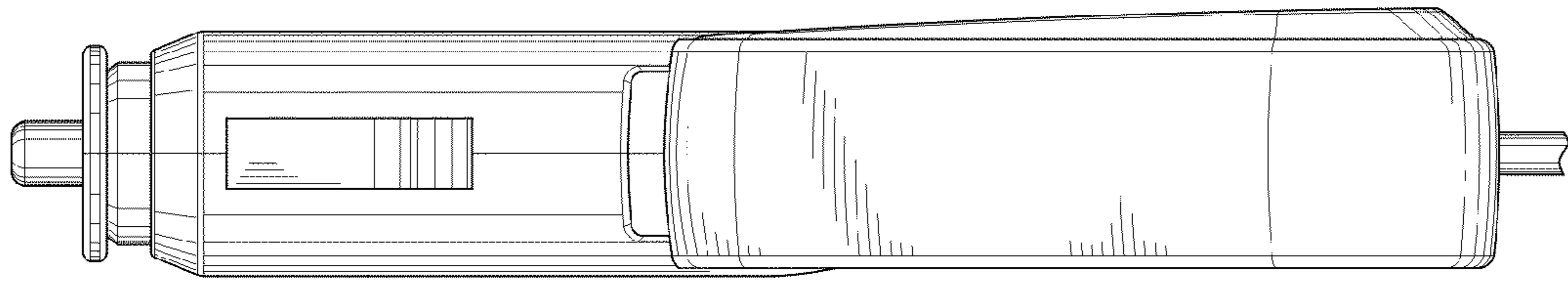


Fig. 4

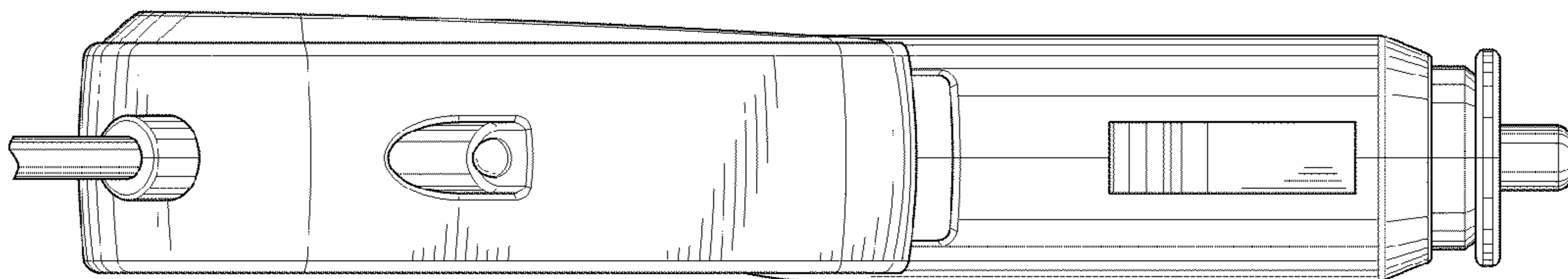


Fig. 5

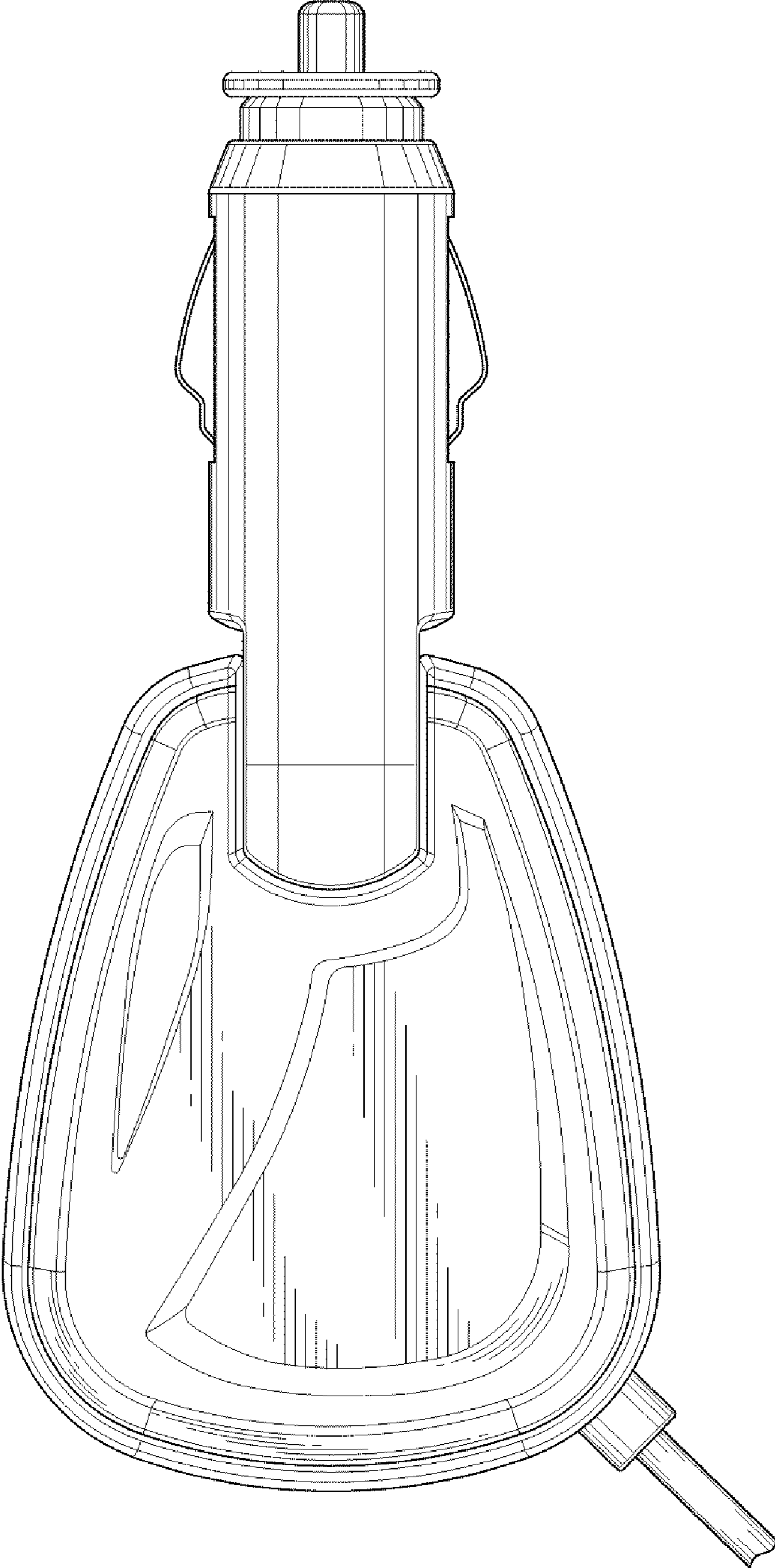


Fig. 6

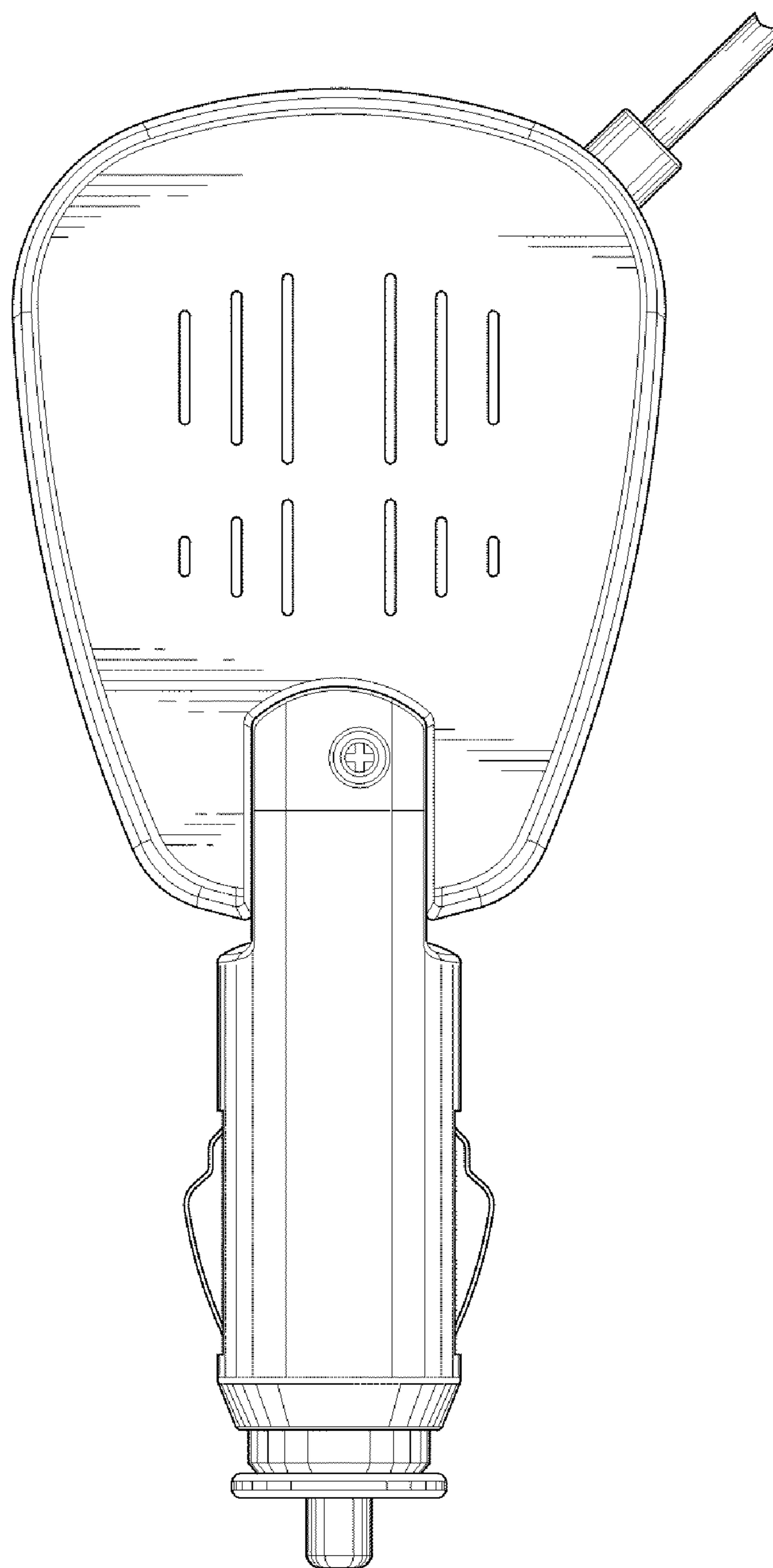


Fig. 7