



US00D644989S

(12) **United States Design Patent**
Guccione et al.

(10) **Patent No.:** **US D644,989 S**
(45) **Date of Patent:** **** Sep. 13, 2011**

(54) **DEVICE BATTERY CHARGER**

DESCRIPTION

(75) Inventors: **Darren S. Guccione**, Wheaton, IL (US);
Craig B. Lurey, El Dorado Hills, CA
(US); **Isaac Kim**, Chicago, IL (US)

(73) Assignee: **Callpod, Inc.**, Chicago, IL (US)

(**) Term: **14 Years**

(21) Appl. No.: **29/360,515**

(22) Filed: **Apr. 27, 2010**

(51) **LOC (9) Cl.** **13-02**

(52) **U.S. Cl.** **D13/108**

(58) **Field of Classification Search** 13/102,
13/107-110, 118-119, 184; D14/251, 253,
D14/432, 434; 320/107-115

See application file for complete search history.

(56) **References Cited**

U.S. PATENT DOCUMENTS

D436,596 S *	1/2001	Ito et al.	D14/434
D450,707 S *	11/2001	Francavilla et al.	D14/434
D470,849 S *	2/2003	Bertagnole et al.	D14/434
D489,321 S *	5/2004	Krieger et al.	D13/108
D599,736 S *	9/2009	Ferber et al.	D13/108
D611,407 S *	3/2010	Webb	D13/108
D611,408 S *	3/2010	Ferber et al.	D13/108
D611,898 S *	3/2010	Yang	D13/108
D611,899 S *	3/2010	Yang	D13/108
D611,900 S *	3/2010	Yang	D13/108
D613,685 S *	4/2010	Ju et al.	D13/108
D616,890 S *	6/2010	Lewandowski et al.	D14/434
D623,133 S *	9/2010	Nomi et al.	D13/108

* cited by examiner

Primary Examiner — Rosemary K Tarcza

(74) *Attorney, Agent, or Firm* — McCracken & Frank, LLP

(57) **CLAIM**

The ornamental design for a device battery charger, as shown and described.

FIG. 1 is an isometric view of a bottom, back, and left side of an embodiment of an ornamental design for a device battery charger;

FIG. 2 is an isometric view of a top, front, and left side of the device battery charger of FIG. 1;

FIG. 3 is a top plan view of the device battery charger of FIG. 1;

FIG. 4 is a bottom plan view of the device battery charger of FIG. 1;

FIG. 5 is a right side elevational view of the device battery charger of FIG. 1;

FIG. 6 is a left side elevational view of the device battery charger of FIG. 1;

FIG. 7 is a front elevational view of the device battery charger of FIG. 1;

FIG. 8 is a rear elevational view of the device battery charger of FIG. 1;

FIG. 9 is an isometric view of a bottom, back, and left side of an alternative embodiment of the device battery charger of FIG. 1;

FIG. 10 is an isometric view of a top, front, and left side of the device battery charger of FIG. 9;

FIG. 11 is a top plan view of the device battery charger of FIG. 9;

FIG. 12 is a bottom plan view of the device battery charger of FIG. 9;

FIG. 13 is a right side elevational view of the device battery charger of FIG. 9;

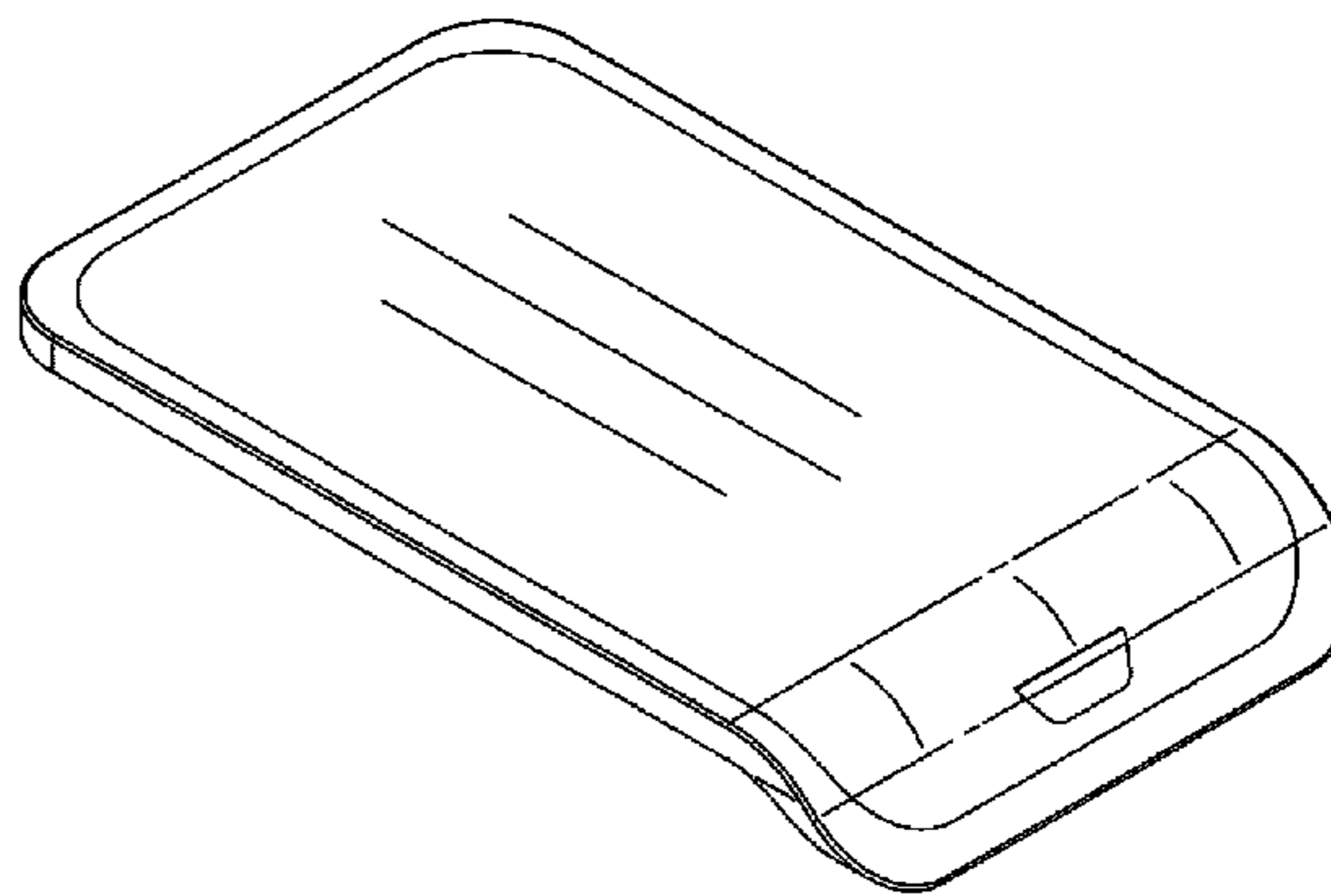
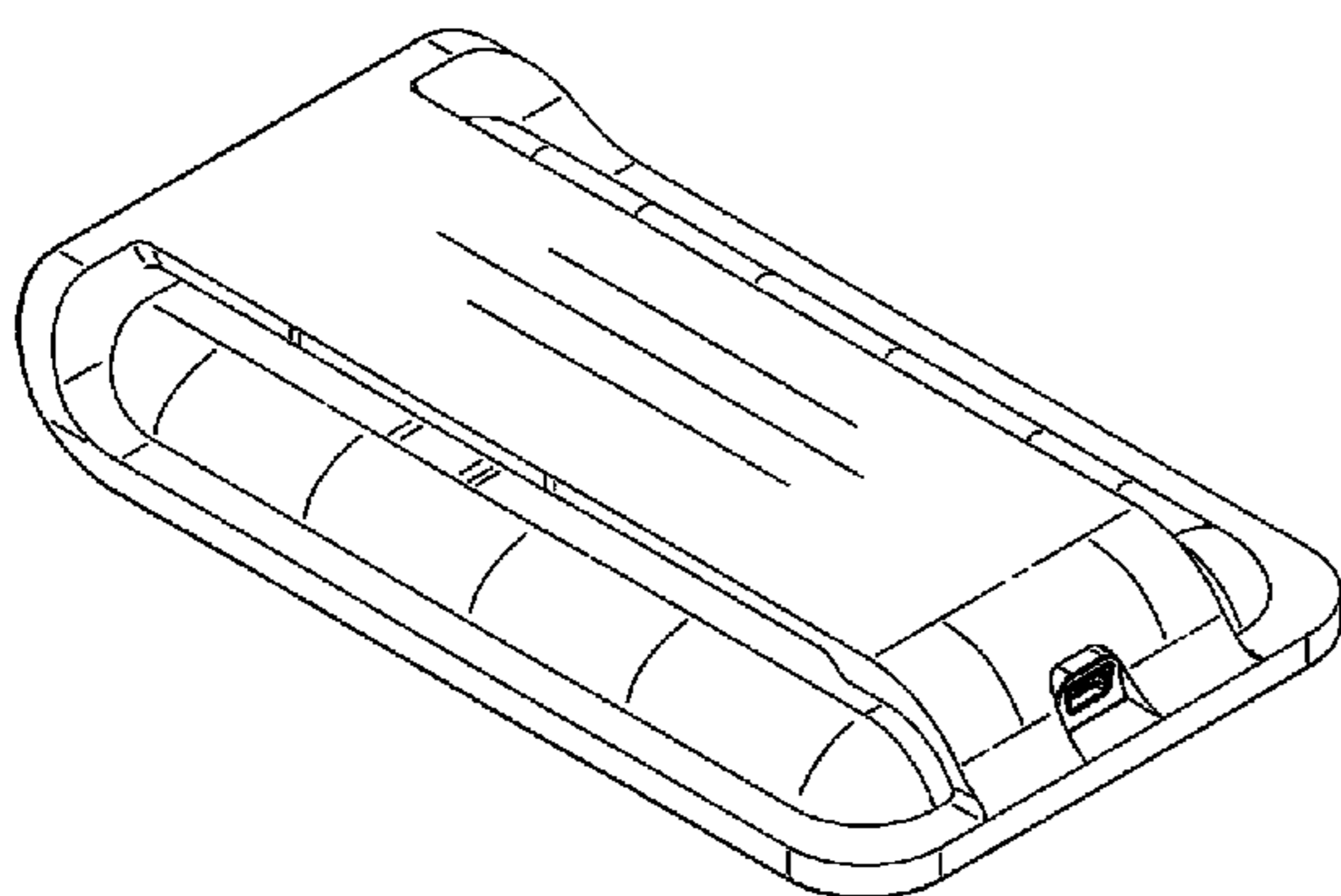
FIG. 14 is a left side elevational view of the device battery charger of FIG. 9;

FIG. 15 is a front elevational view of the device battery charger of FIG. 9; and,

FIG. 16 is a rear elevational view of the device battery charger of FIG. 9.

The broken lines are for the purpose of illustrating environmental structure and form no part of the claimed design.

1 Claim, 6 Drawing Sheets



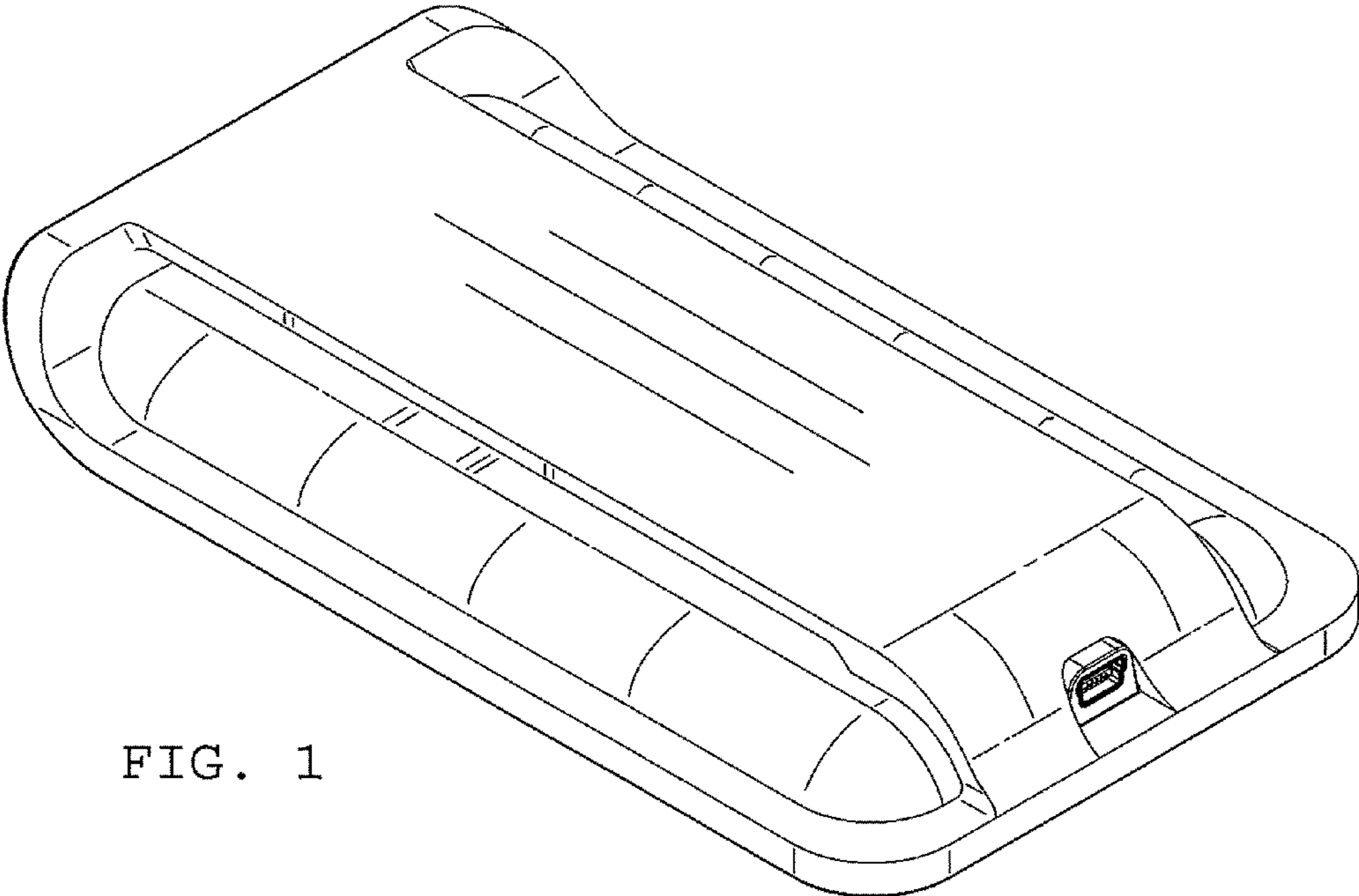


FIG. 1

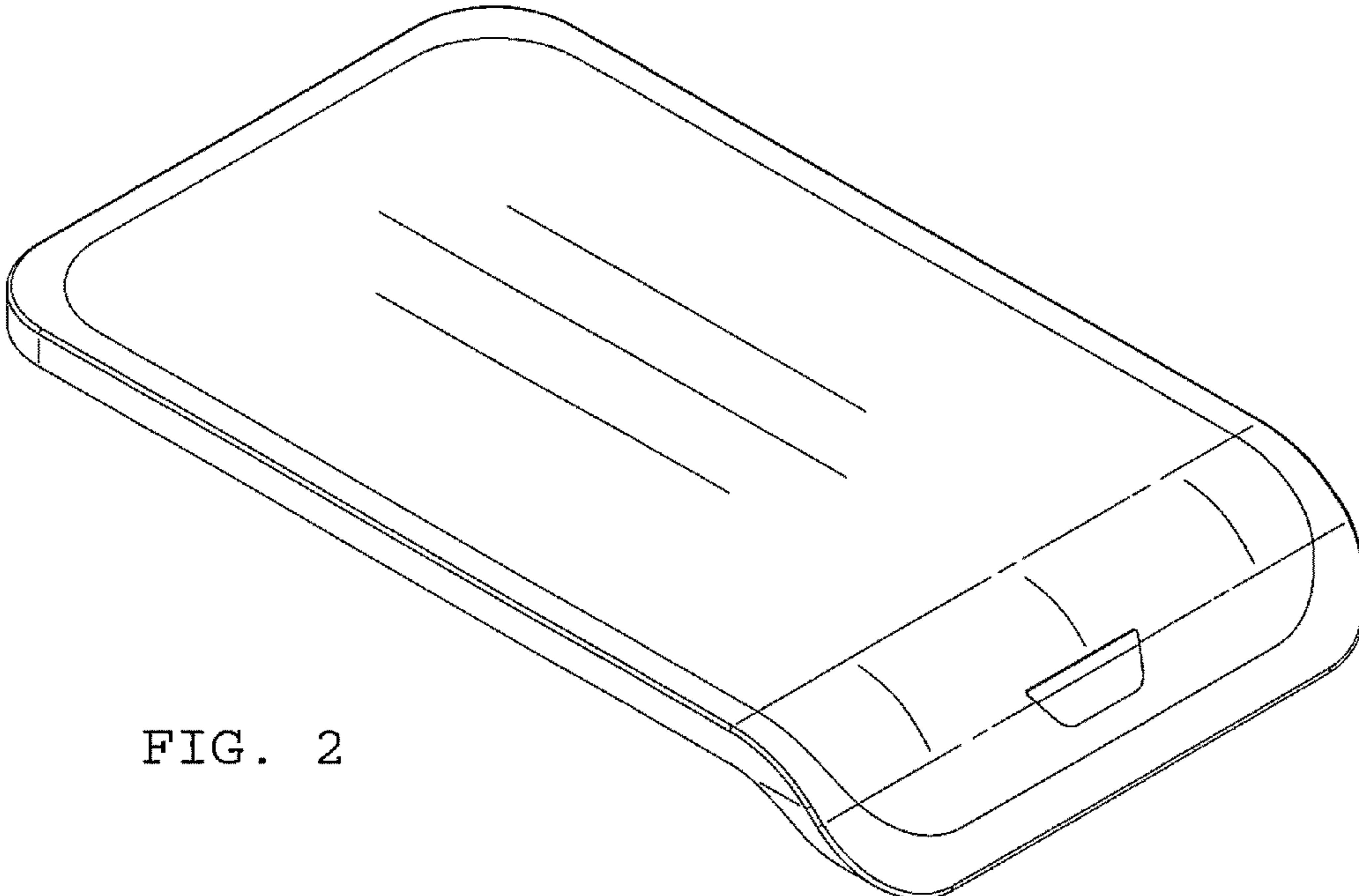


FIG. 2

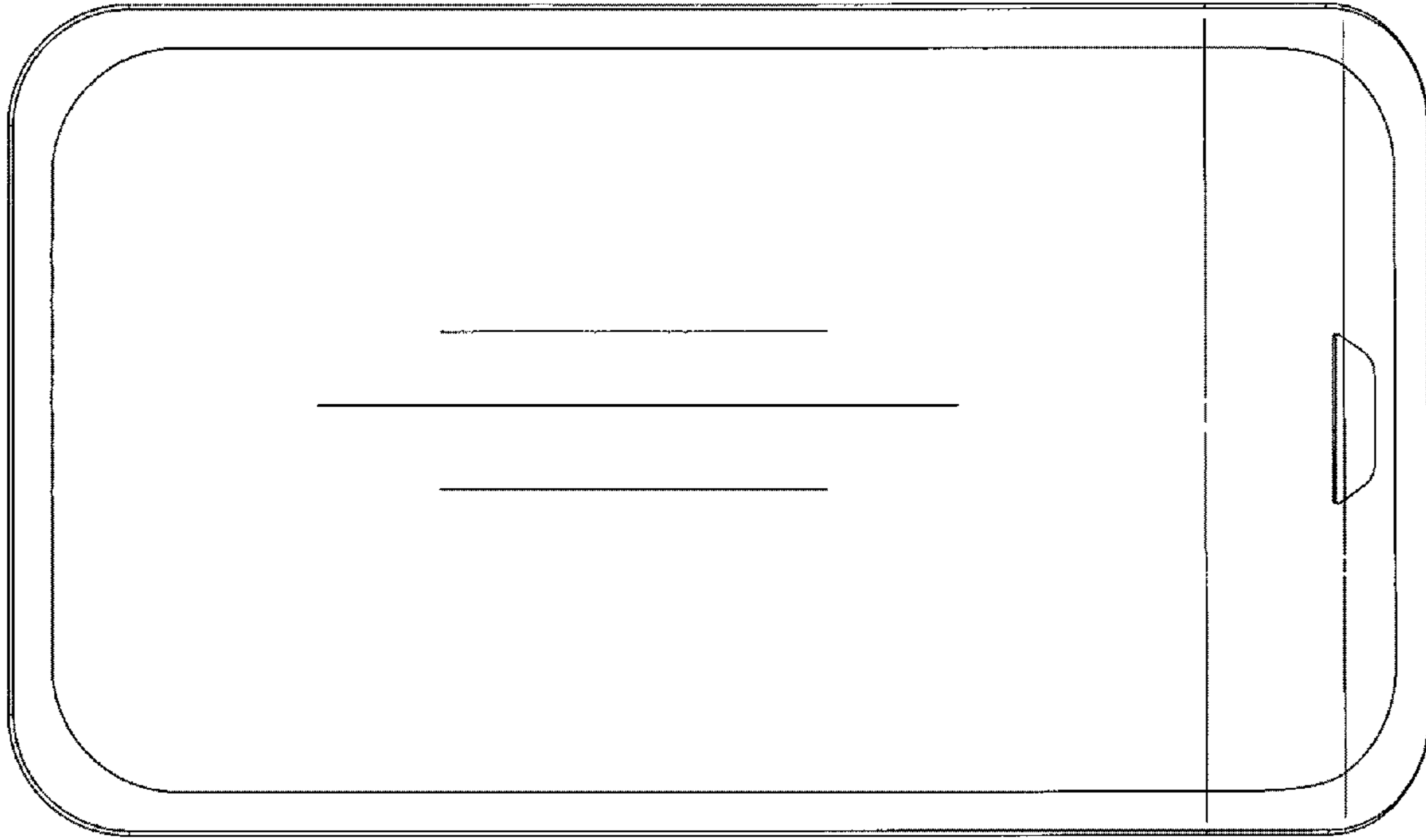


FIG. 3

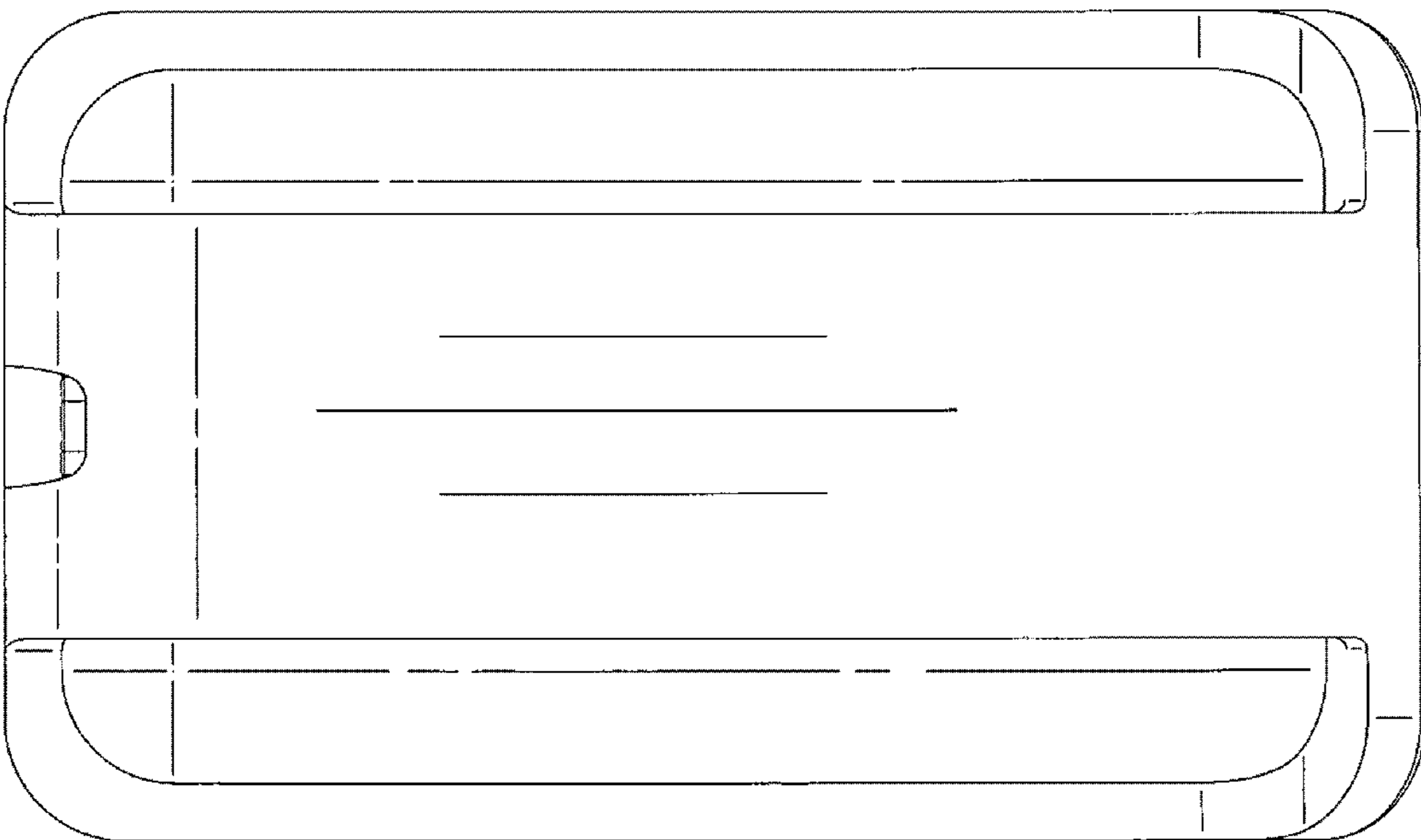


FIG. 4

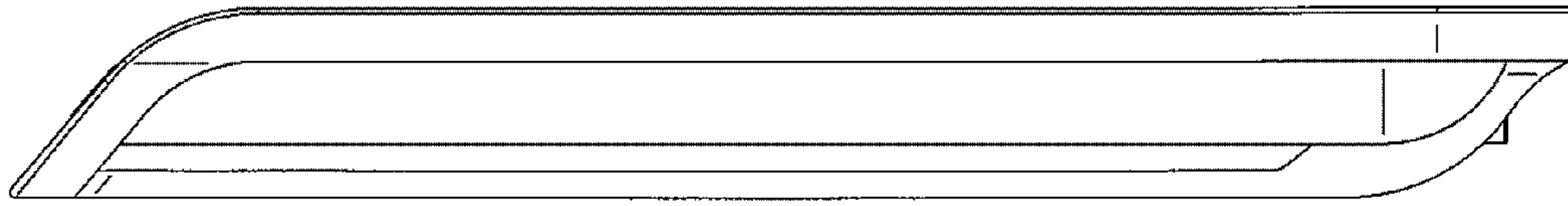


FIG. 5

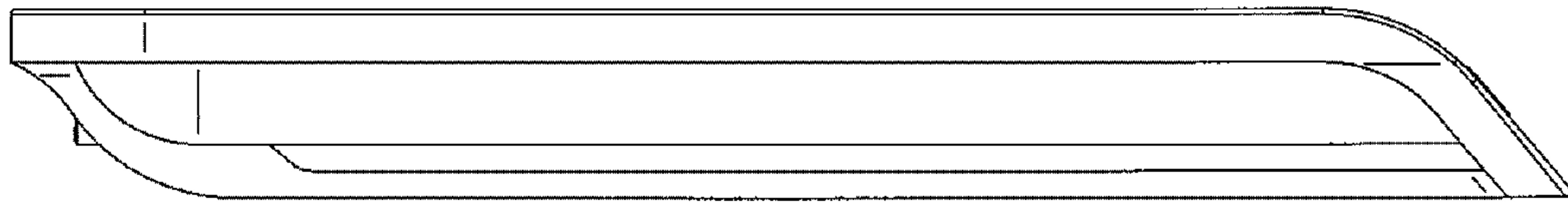


FIG. 6

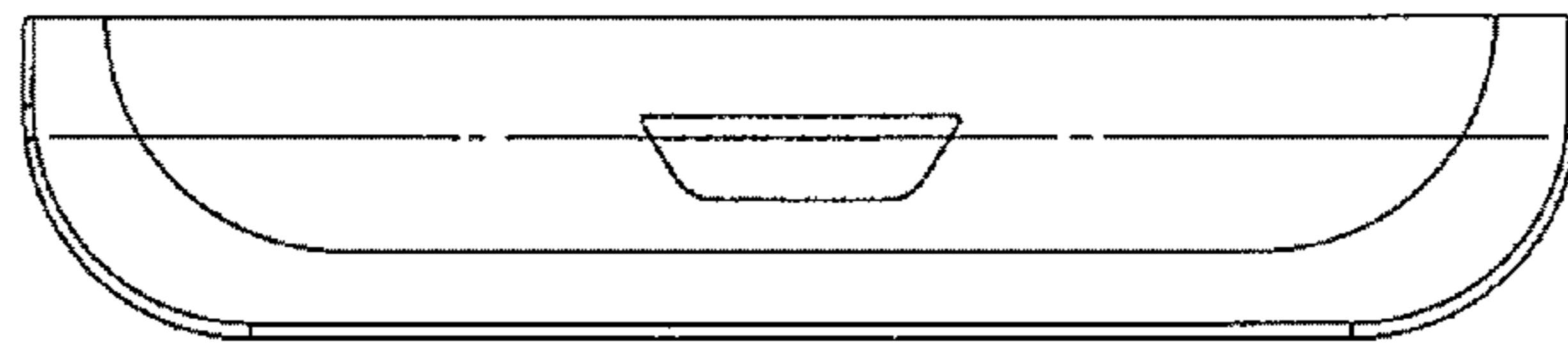


FIG. 7

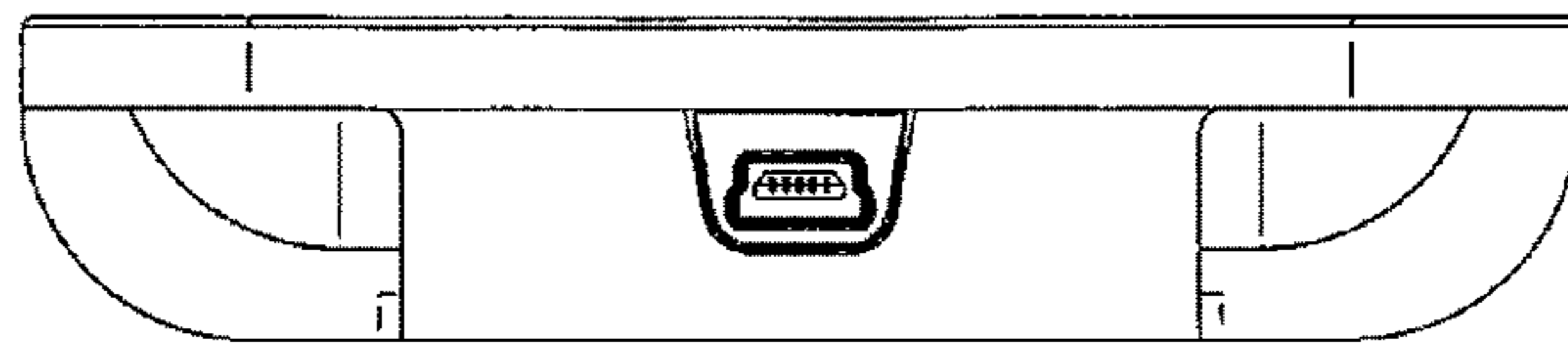


FIG. 8

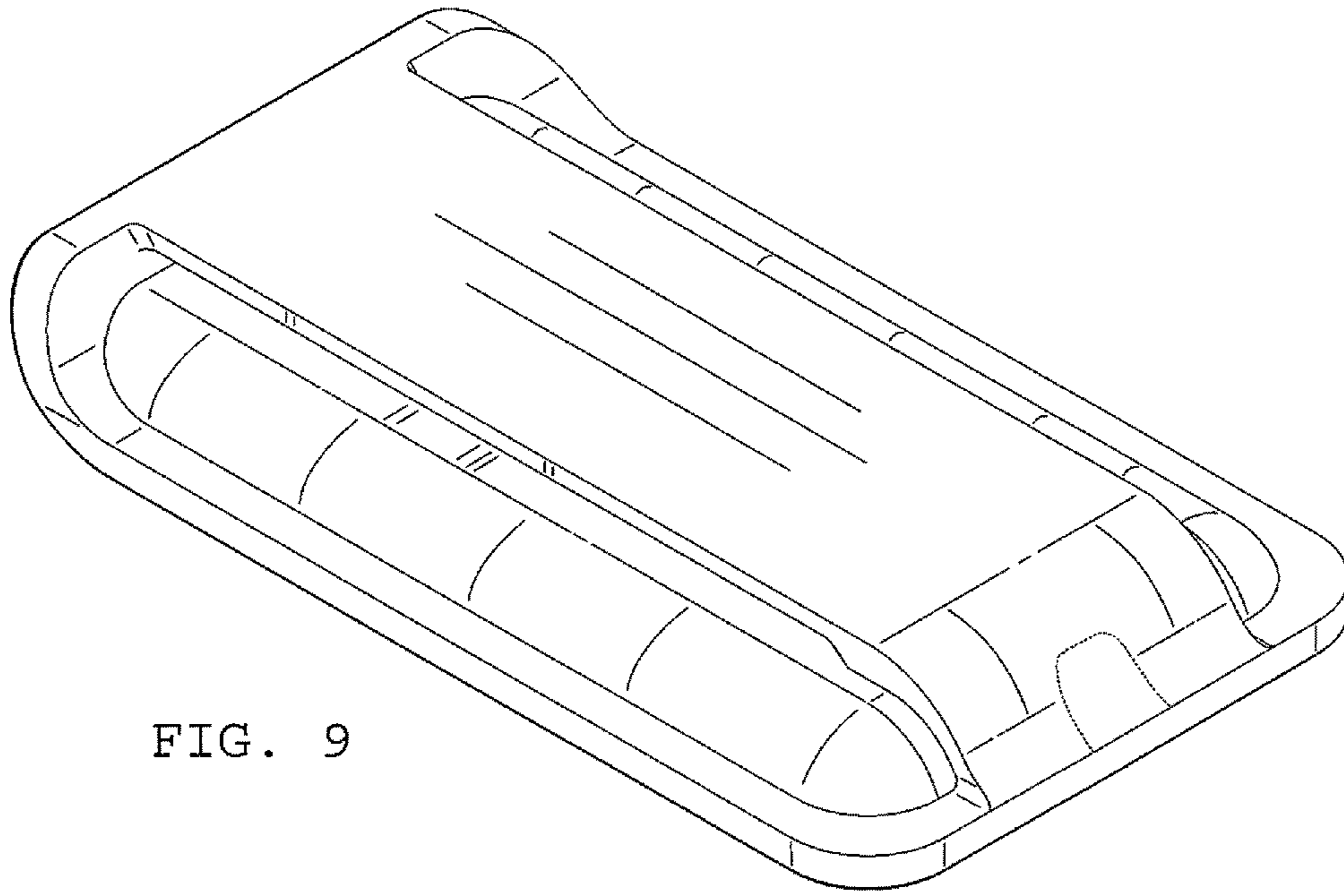


FIG. 9

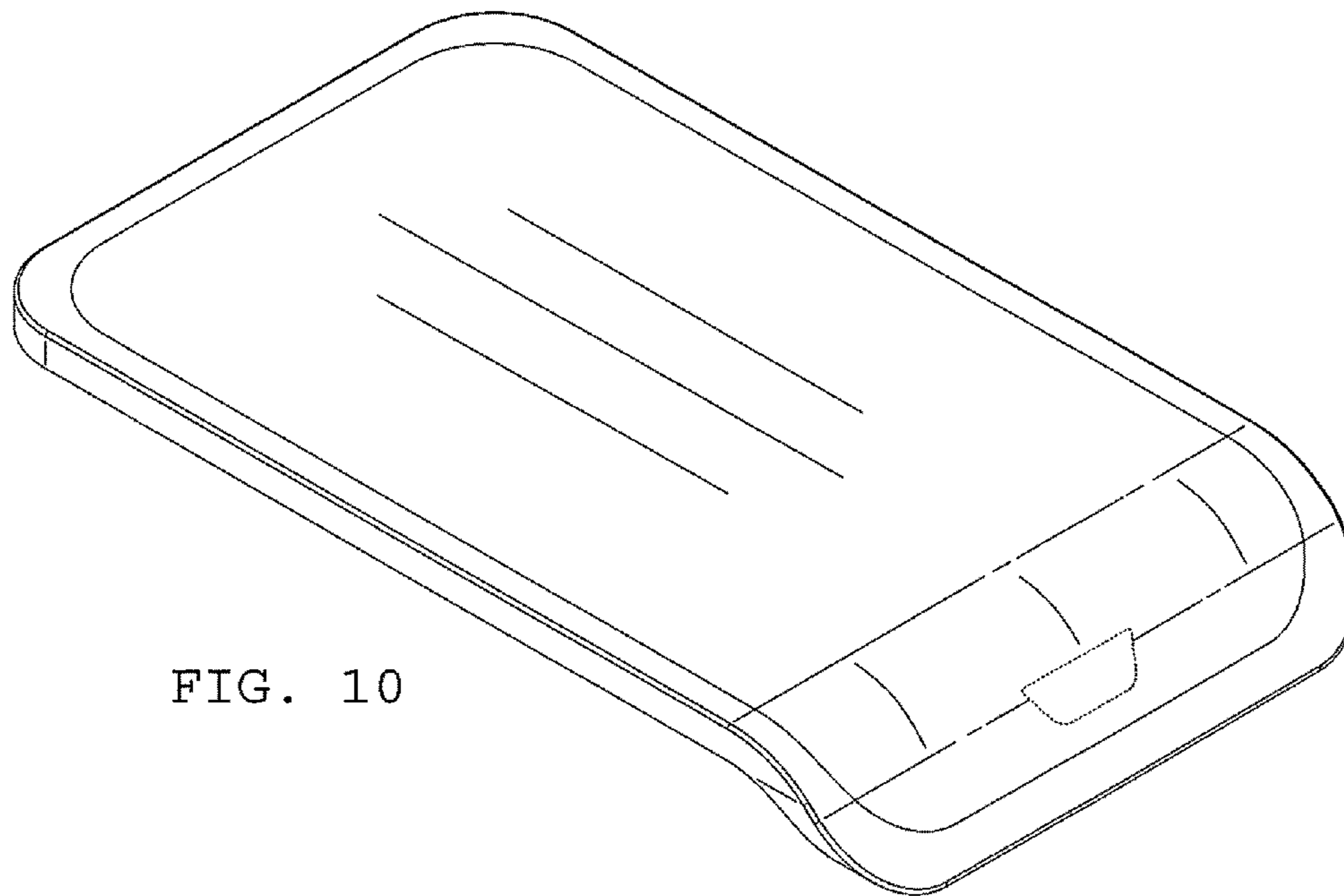


FIG. 10

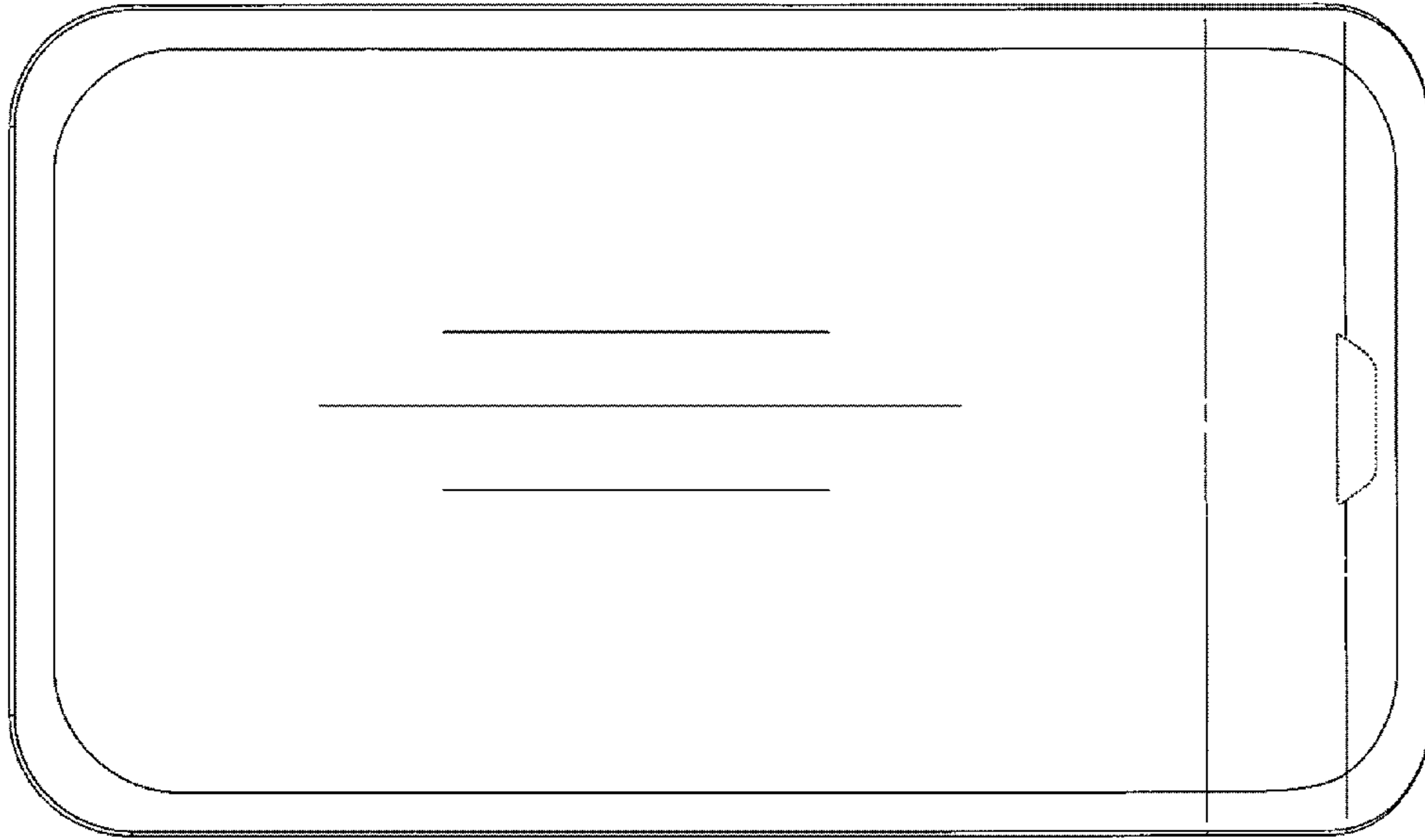


FIG. 11

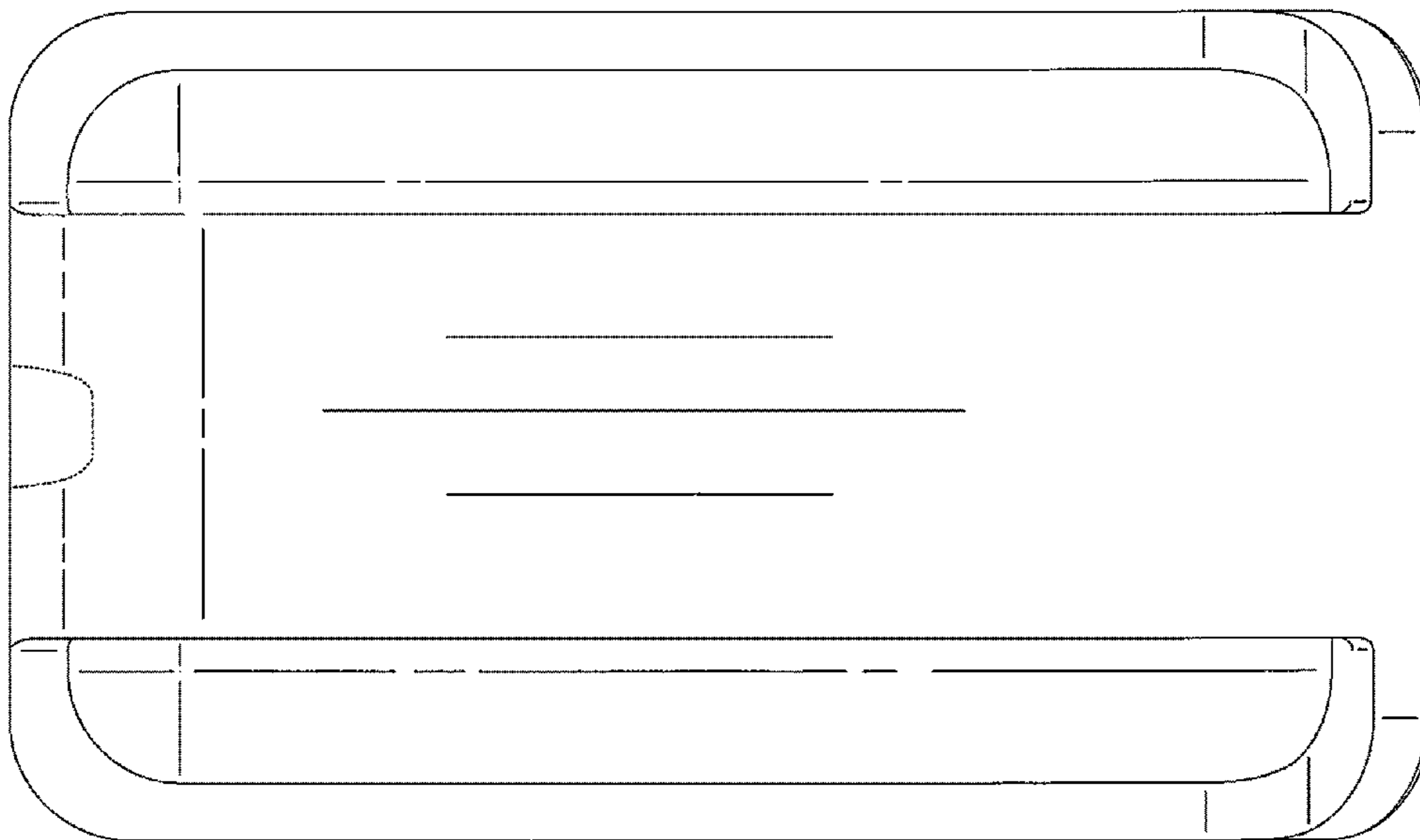


FIG. 12

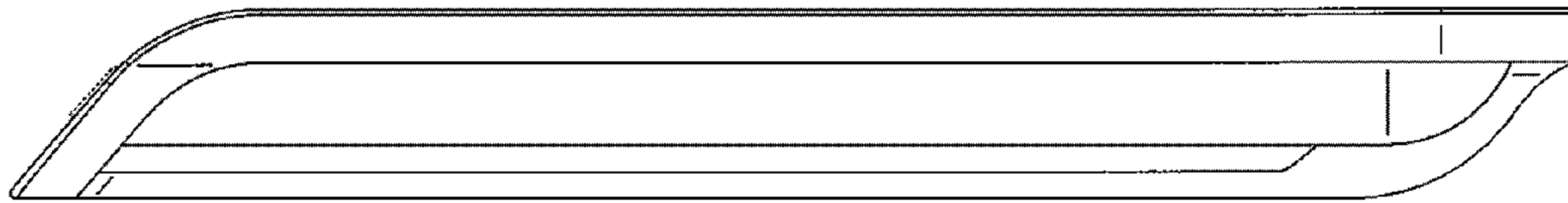


FIG. 13

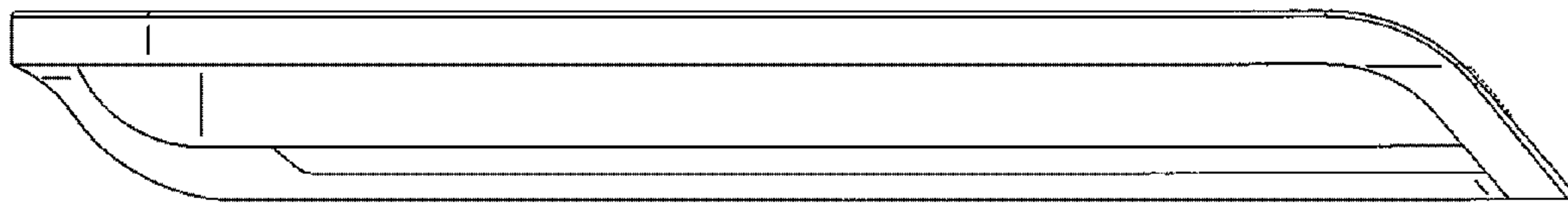


FIG. 14

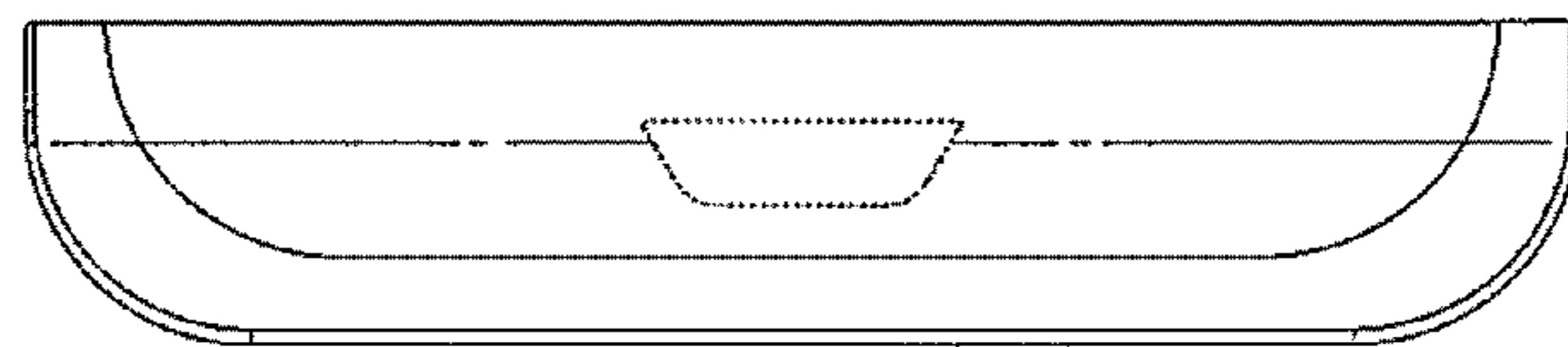


FIG. 15

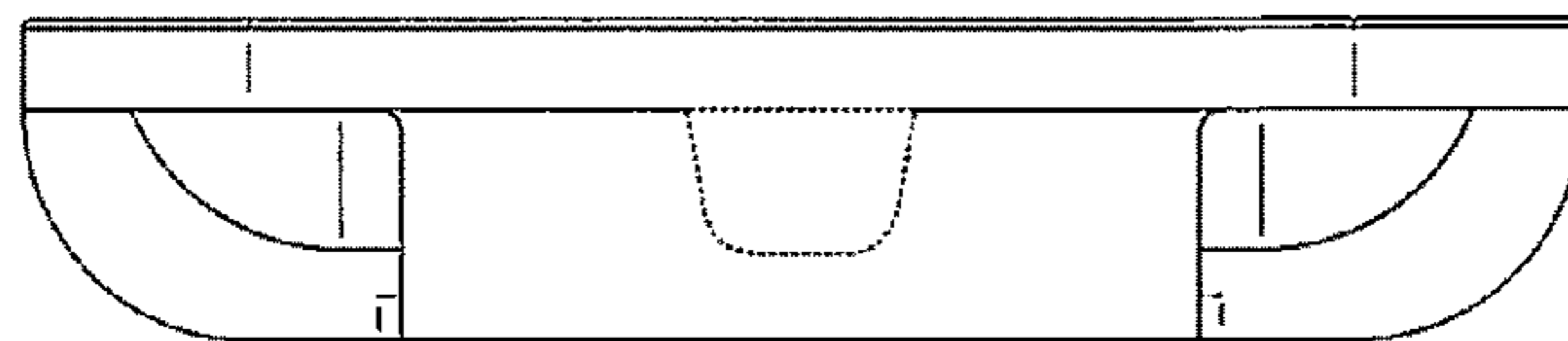


FIG. 16