



US00D644988S

(12) **United States Design Patent**
Finney et al.

(10) **Patent No.:** **US D644,988 S**

(45) **Date of Patent:** **** Sep. 13, 2011**

(54) **BATTERY**

(75) Inventors: **Benjamin Michael Finney**, Itasca, IL (US); **Matthew Michael Ignor**, Kitchener (CA); **James Abraham Keane**, Wauconda, IL (US)

(73) Assignee: **Research In Motion Limited**, Waterloo, Ontario (CA)

(**) Term: **14 Years**

(21) Appl. No.: **29/384,472**

(22) Filed: **Jan. 31, 2011**

(51) **LOC (9) Cl.** **13-02**

(52) **U.S. Cl.** **D13/103**

(58) **Field of Classification Search** D13/102-106, D13/110, 118-119, 184, 199; 429/96-100, 429/163, 176

See application file for complete search history.

(56) **References Cited**

U.S. PATENT DOCUMENTS

D439,877	S	*	4/2001	Vacheron et al.	D13/103
D509,182	S	*	9/2005	Takeshita et al.	D13/103
D516,503	S	*	3/2006	Takeshita et al.	D13/103
D590,334	S	*	4/2009	Tatehata et al.	D13/103

D590,336	S	*	4/2009	Tatehata et al.	D13/103
D590,337	S	*	4/2009	Tatehata et al.	D13/103
D590,769	S	*	4/2009	Tatehata et al.	D13/103
D592,130	S	*	5/2009	Tatehata et al.	D13/103
D601,494	S	*	10/2009	Otani et al.	D13/103
D623,590	S	*	9/2010	Otani et al.	D13/103
2003/0180582	A1	*	9/2003	Masumoto et al.	429/7
2008/0166628	A1	*	7/2008	Kim et al.	429/163
2008/0254348	A1	*	10/2008	Hatta et al.	429/94
2008/0305367	A1	*	12/2008	Baek et al.	429/7
2010/0143788	A1	*	6/2010	Koh et al.	429/163

* cited by examiner

Primary Examiner — Rosemary K Tarcza

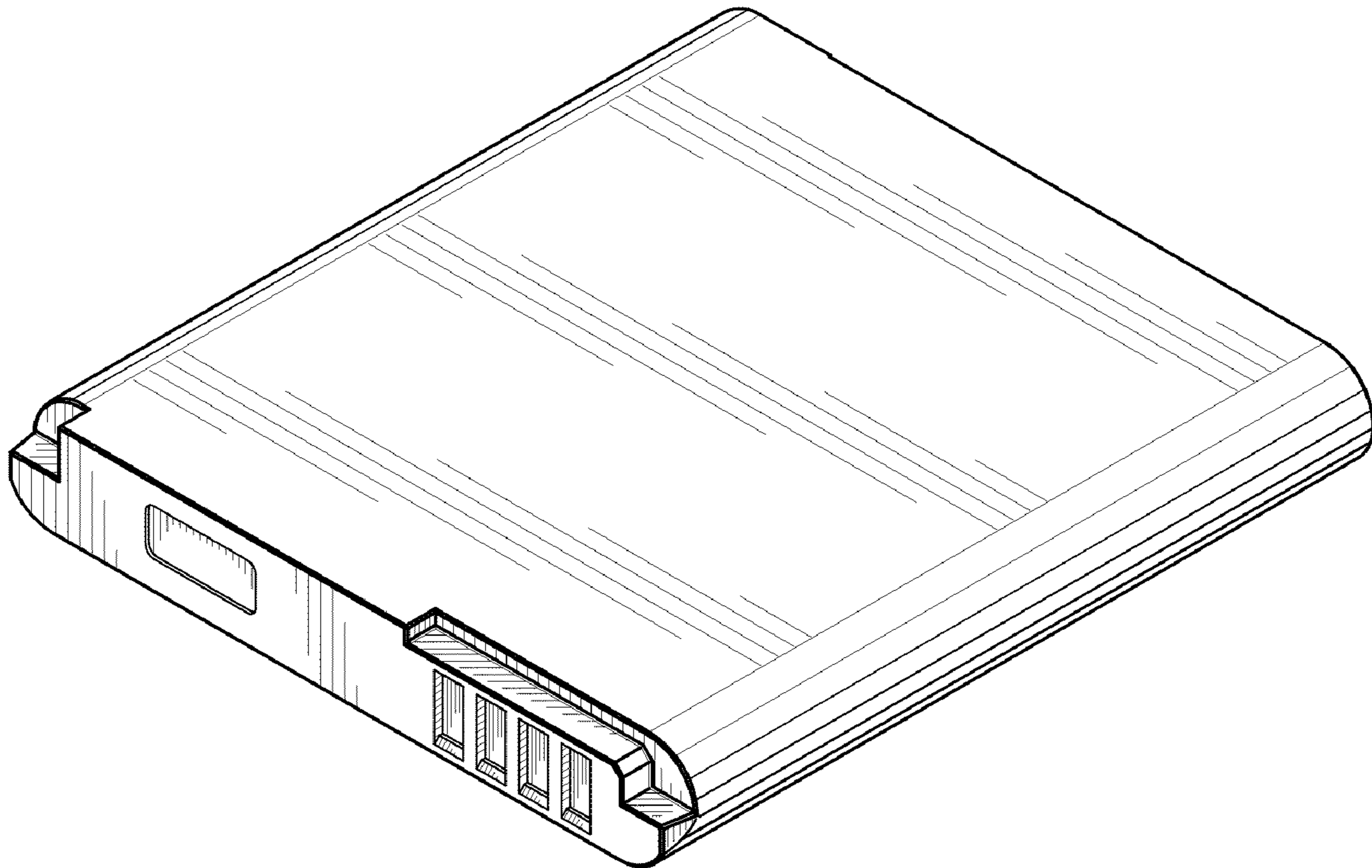
(57) **CLAIM**

We claim the ornamental design for a battery, as shown and described.

DESCRIPTION

FIG. 1 is a front perspective view of a battery;
FIG. 2 is a back bottom perspective view of the battery;
FIG. 3 is a top plan view thereof;
FIG. 4 is a bottom plan view thereof;
FIG. 5 is a back elevational view thereof;
FIG. 6 is a front elevational view thereof;
FIG. 7 is a left elevational view thereof; and,
FIG. 8 is a right elevational view thereof.

1 Claim, 6 Drawing Sheets



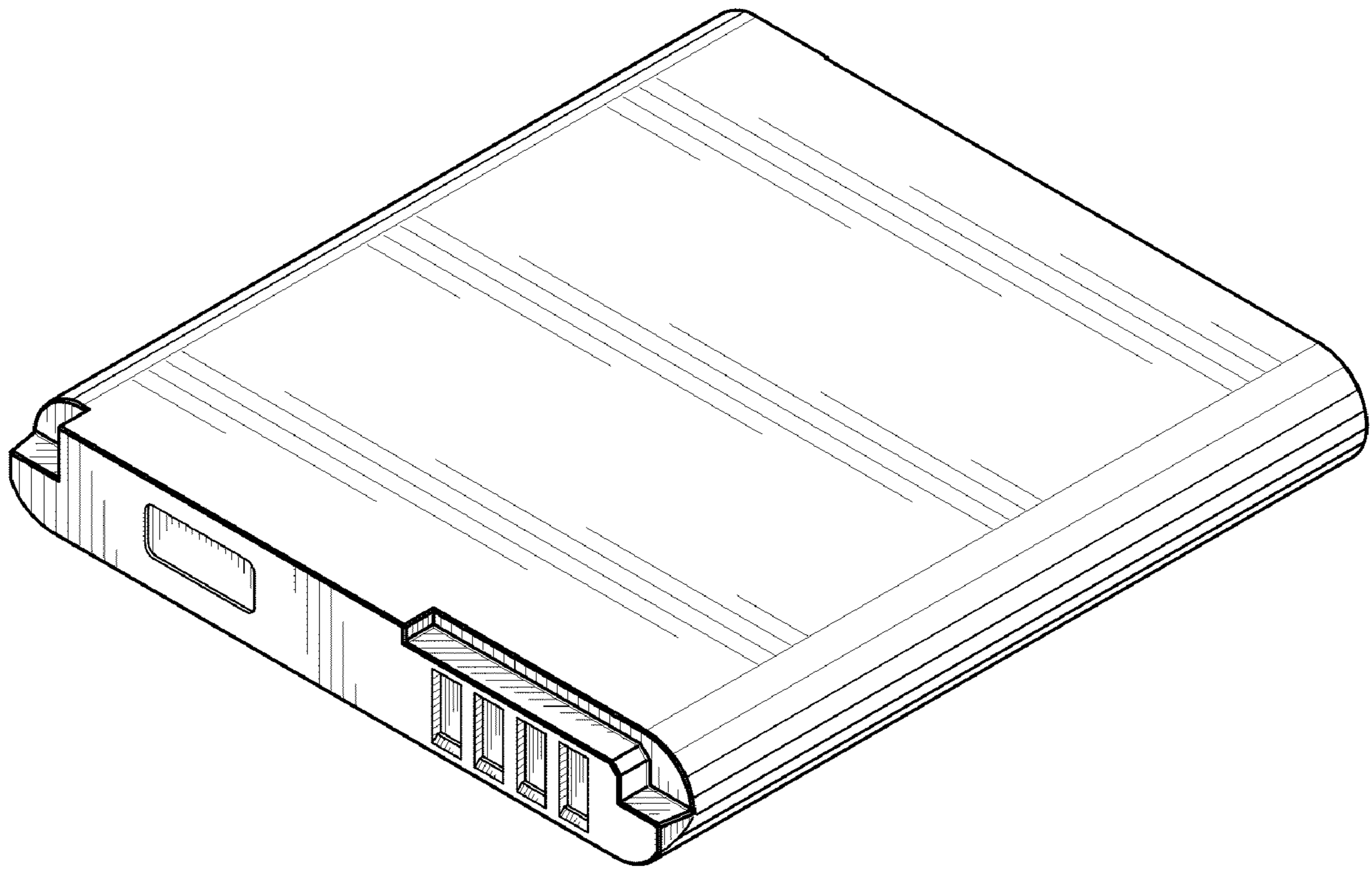


FIG.1

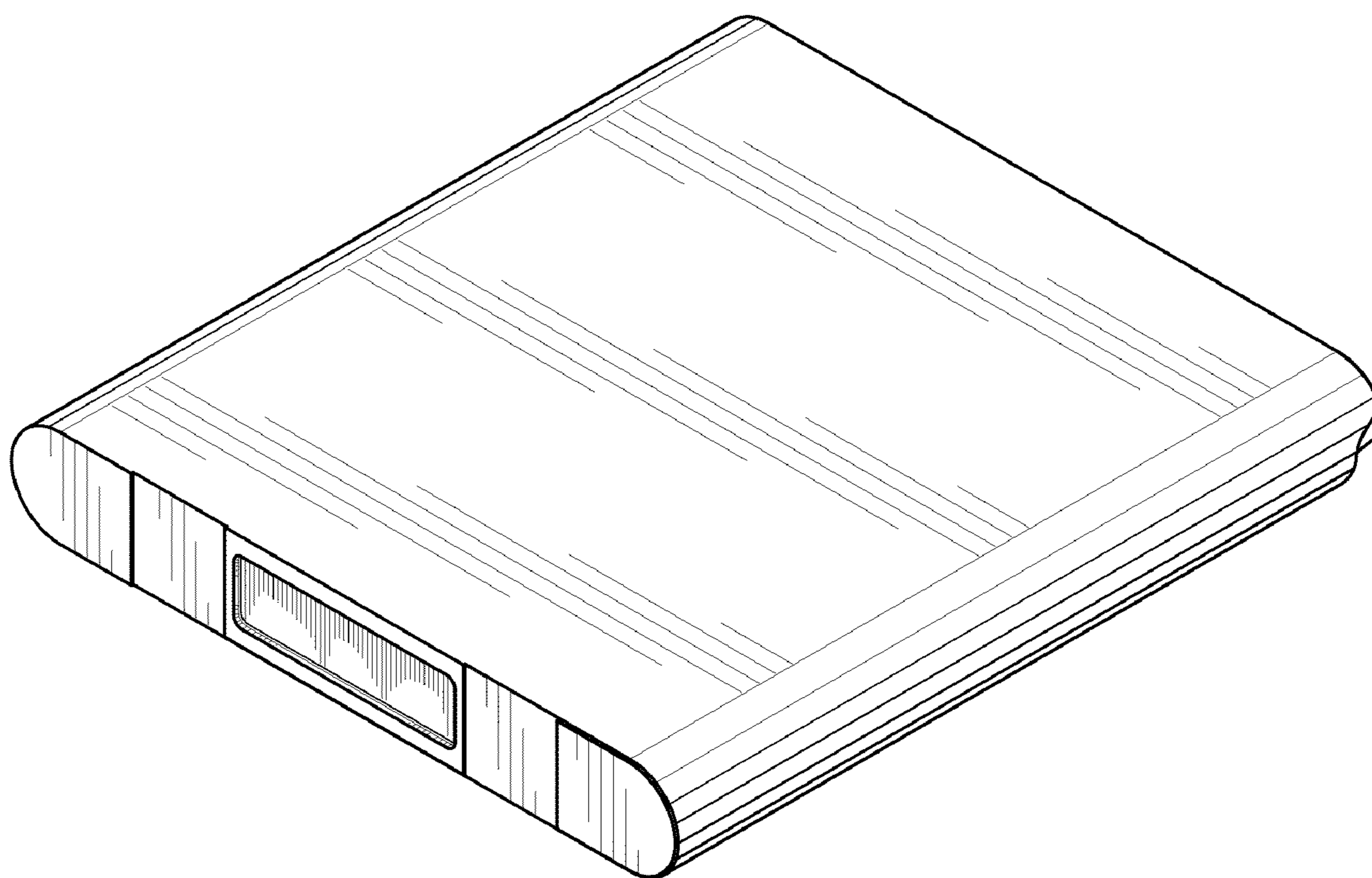


FIG.2

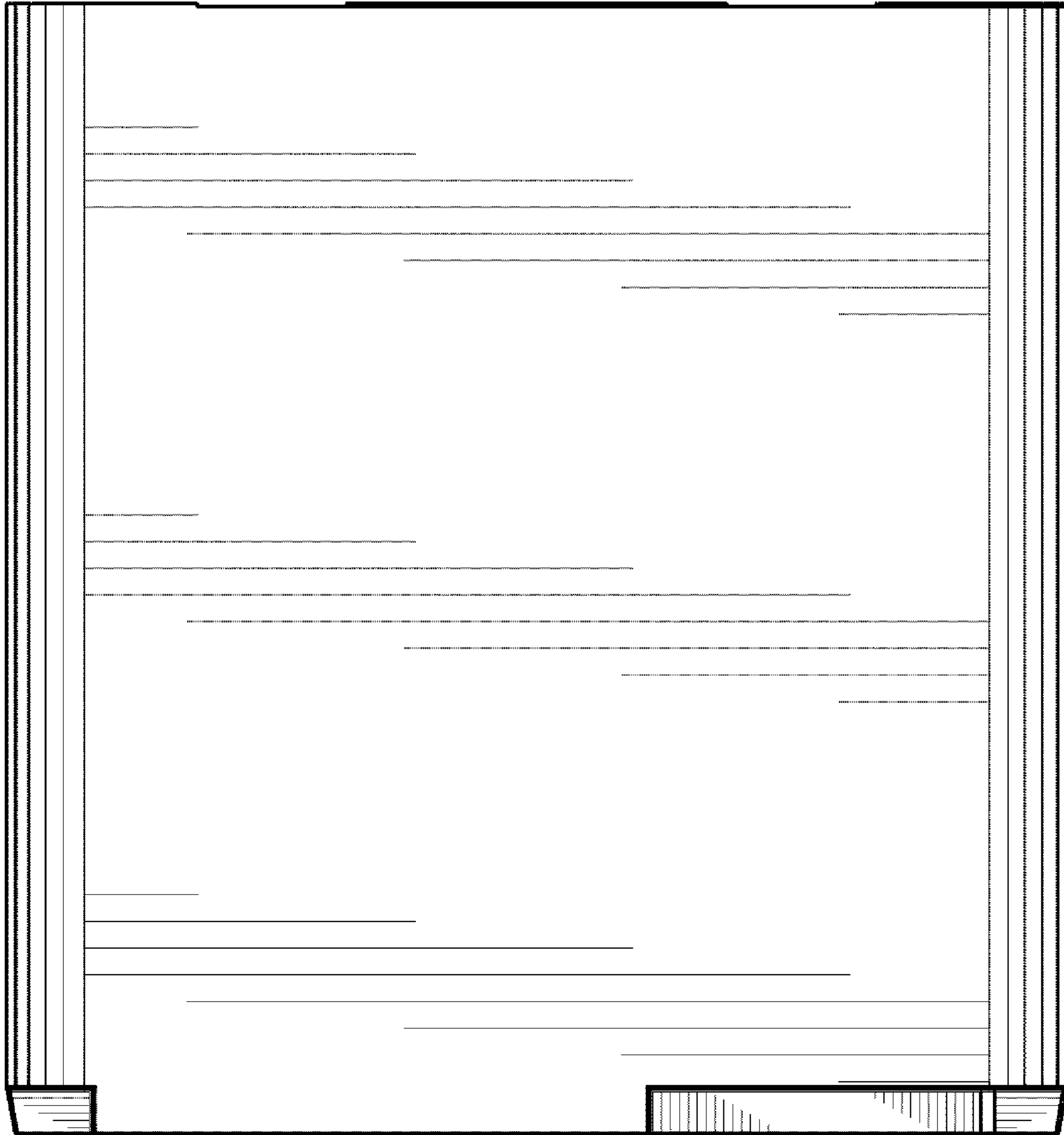


FIG.3

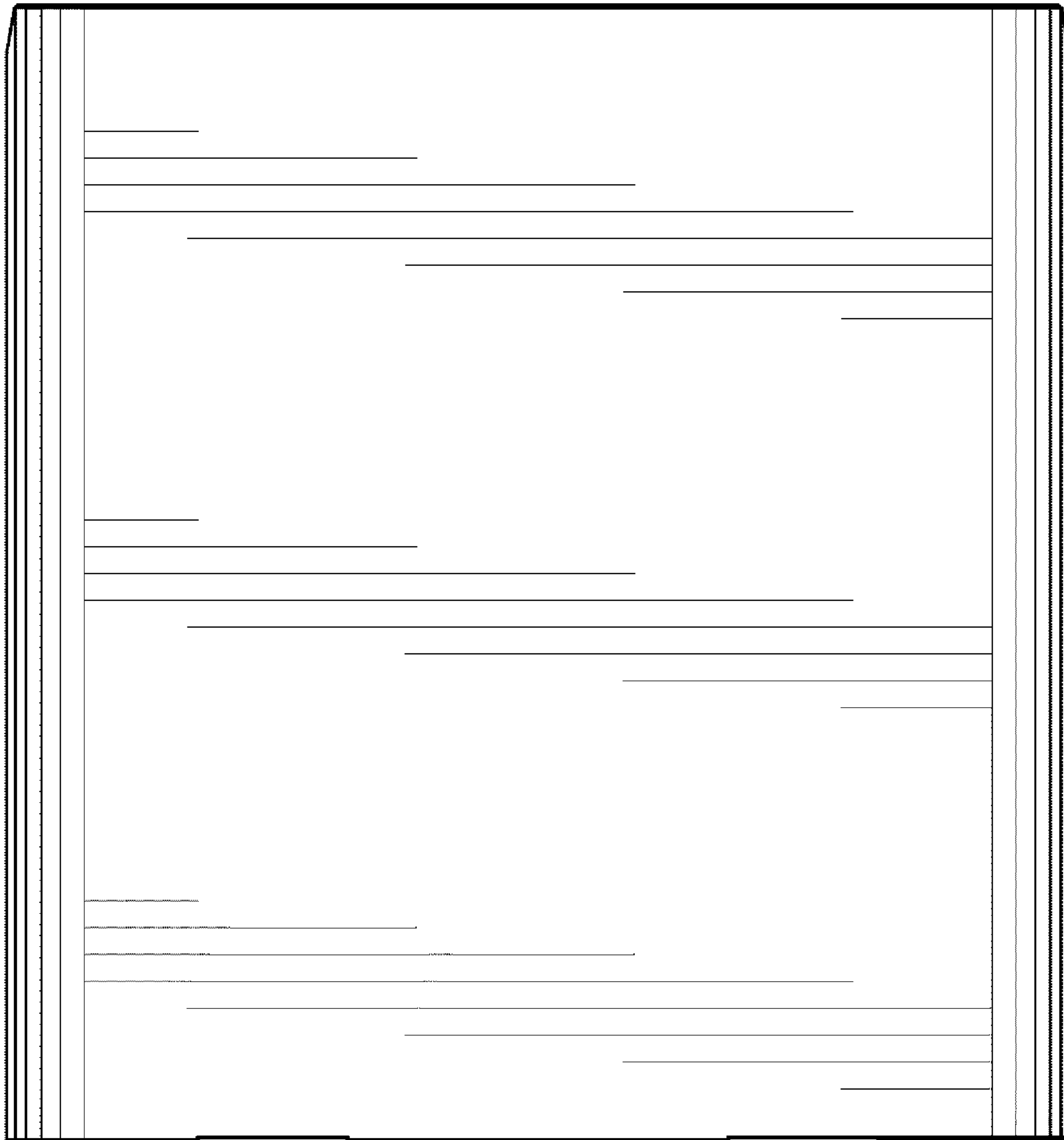


FIG.4

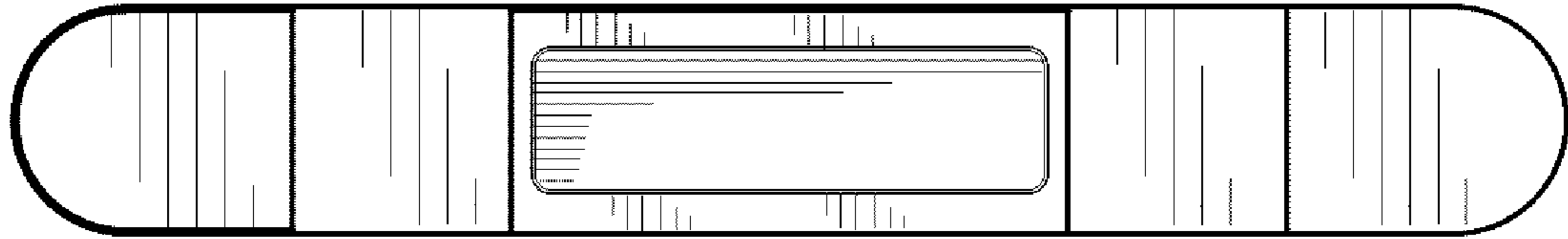


FIG. 5

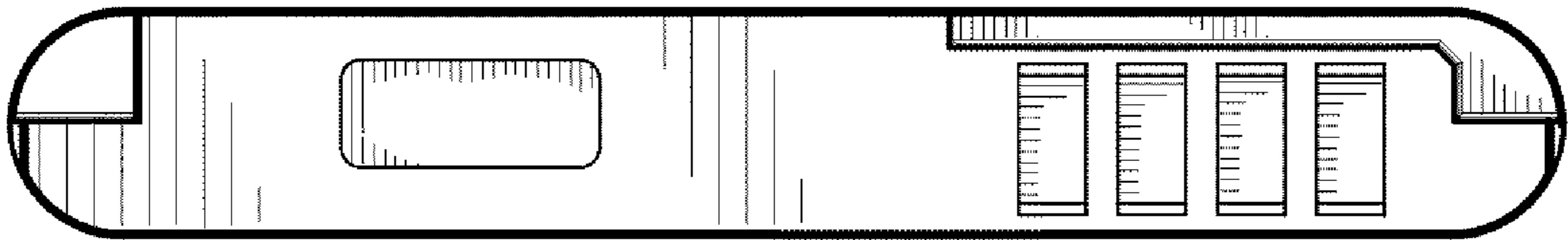


FIG. 6

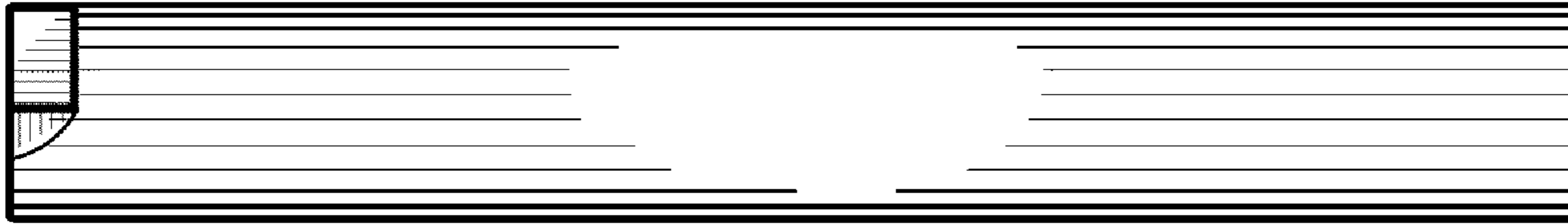


FIG. 7

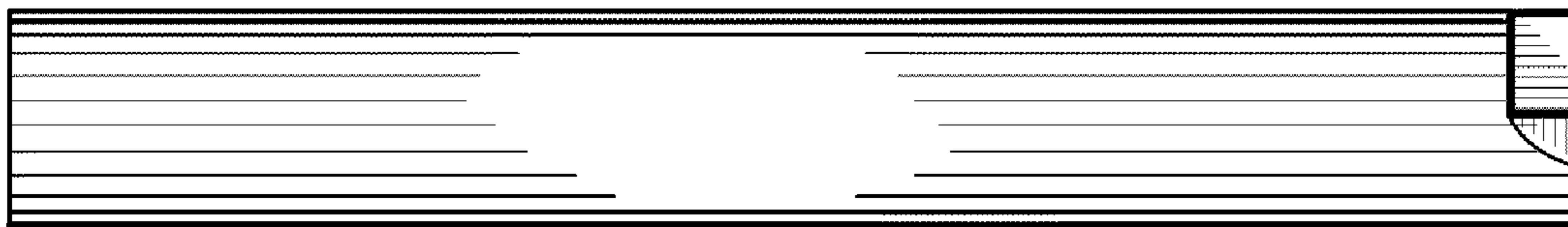


FIG. 8