



US00D644987S

(12) **United States Design Patent**
Casler et al.

(10) **Patent No.:** **US D644,987 S**

(45) **Date of Patent:** **** *Sep. 13, 2011**

(54) **SOLAR MODULE**

(75) Inventors: **Joseph Casler**, Perrysburg, OH (US);
Brian E. Cohen, Perrysburg, OH (US)

(73) Assignee: **First Solar, Inc**, Perrysburg, OH (US)

(*) Notice: This patent is subject to a terminal disclaimer.

(**) Term: **14 Years**

(21) Appl. No.: **29/345,441**

(22) Filed: **Oct. 15, 2009**

(51) **LOC (9) Cl.** **13-02**

(52) **U.S. Cl.** **D13/102**

(58) **Field of Classification Search** D13/102,
D13/101, 103, 119, 184, 199; 126/561, 667;
136/206, 244–251, 256, 291, 292; 438/80
See application file for complete search history.

(56) **References Cited**

U.S. PATENT DOCUMENTS

4,056,405	A *	11/1977	Varadi	136/246
4,186,720	A *	2/1980	Schmauder et al.	126/667
D258,232	S *	2/1981	Weis	D13/102
4,849,029	A	7/1989	Delahoy		
5,268,037	A	12/1993	Glatfelter		
D353,129	S *	12/1994	Ricaud et al.	D13/102
5,453,134	A	9/1995	Arai et al.		
5,593,901	A	1/1997	Oswald et al.		
D389,454	S *	1/1998	Mori	D13/102
D442,139	S *	5/2001	Sasaoka	D13/102
D442,549	S *	5/2001	Sasaoka	D13/119
7,095,050	B2	8/2006	Wanlass et al.		

D543,501	S *	5/2007	Yamashita et al.	D13/102
7,326,587	B2	2/2008	Park et al.		
2008/0142070	A1	6/2008	Lechner et al.		

FOREIGN PATENT DOCUMENTS

JP	2000049369	2/2000
JP	2001111083	4/2001
JP	2005353767	12/2005

* cited by examiner

Primary Examiner — Derrick Holland

(74) *Attorney, Agent, or Firm* — Dickstein Shapiro LLP

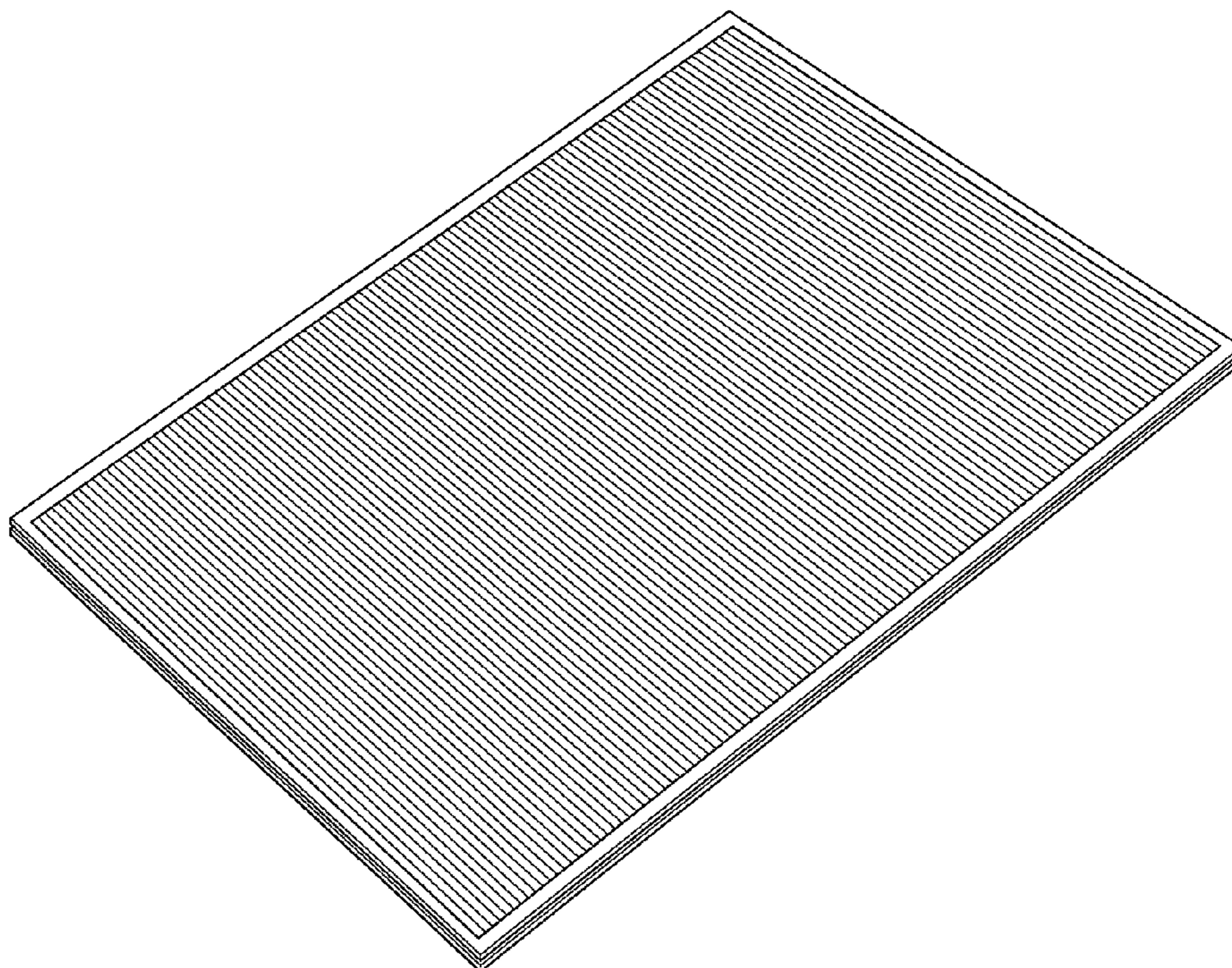
(57) **CLAIM**

The ornamental design for a solar module, as shown and described.

DESCRIPTION

FIG. 1 is a front and side perspective view of a solar module showing our new design;
 FIG. 2 is a back and side perspective view thereof;
 FIG. 3 is an enlarged fragmentary view of FIG. 2;
 FIG. 4 is a top plan view thereof;
 FIG. 5 is a bottom plan view thereof;
 FIG. 6 is an enlarged fragmentary view of FIG. 5;
 FIG. 7 is a front elevation view thereof; and
 FIG. 8 is an enlarged fragmentary view of FIG. 7;
 FIG. 9 is a rear elevation view thereof;
 FIG. 10 is an enlarged fragmentary view of FIG. 9;
 FIG. 11 is a side elevation view thereof;
 FIG. 12 is an enlarged fragmentary view of FIG. 11;
 FIG. 13 is a side view thereof, opposite that of FIG. 11; and,
 FIG. 14 is an enlarged fragmentary view of FIG. 13.
 The broken lines shown represent unclaimed subject matter and form no part of the claimed design.

1 Claim, 8 Drawing Sheets



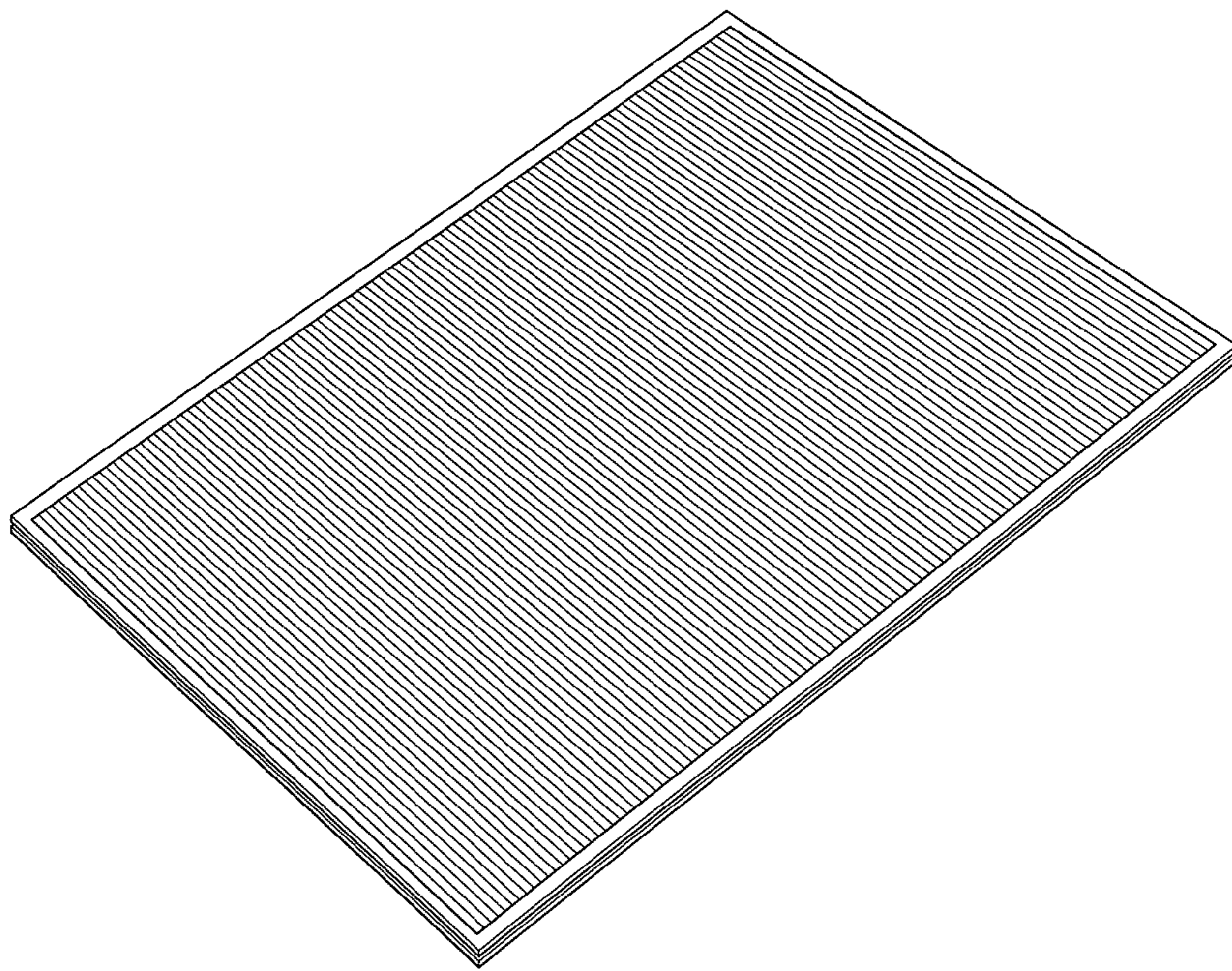


FIG. 1

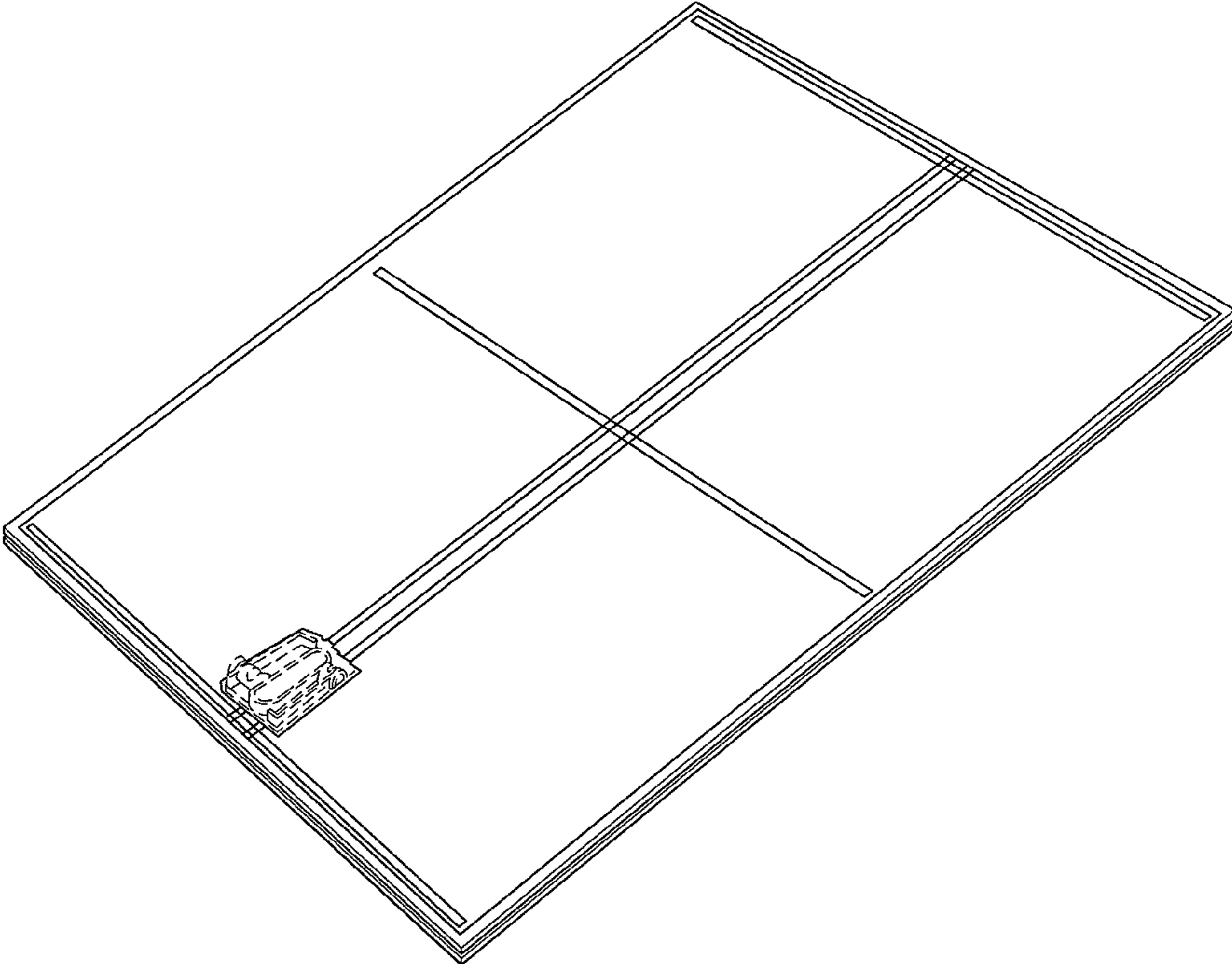


FIG. 2

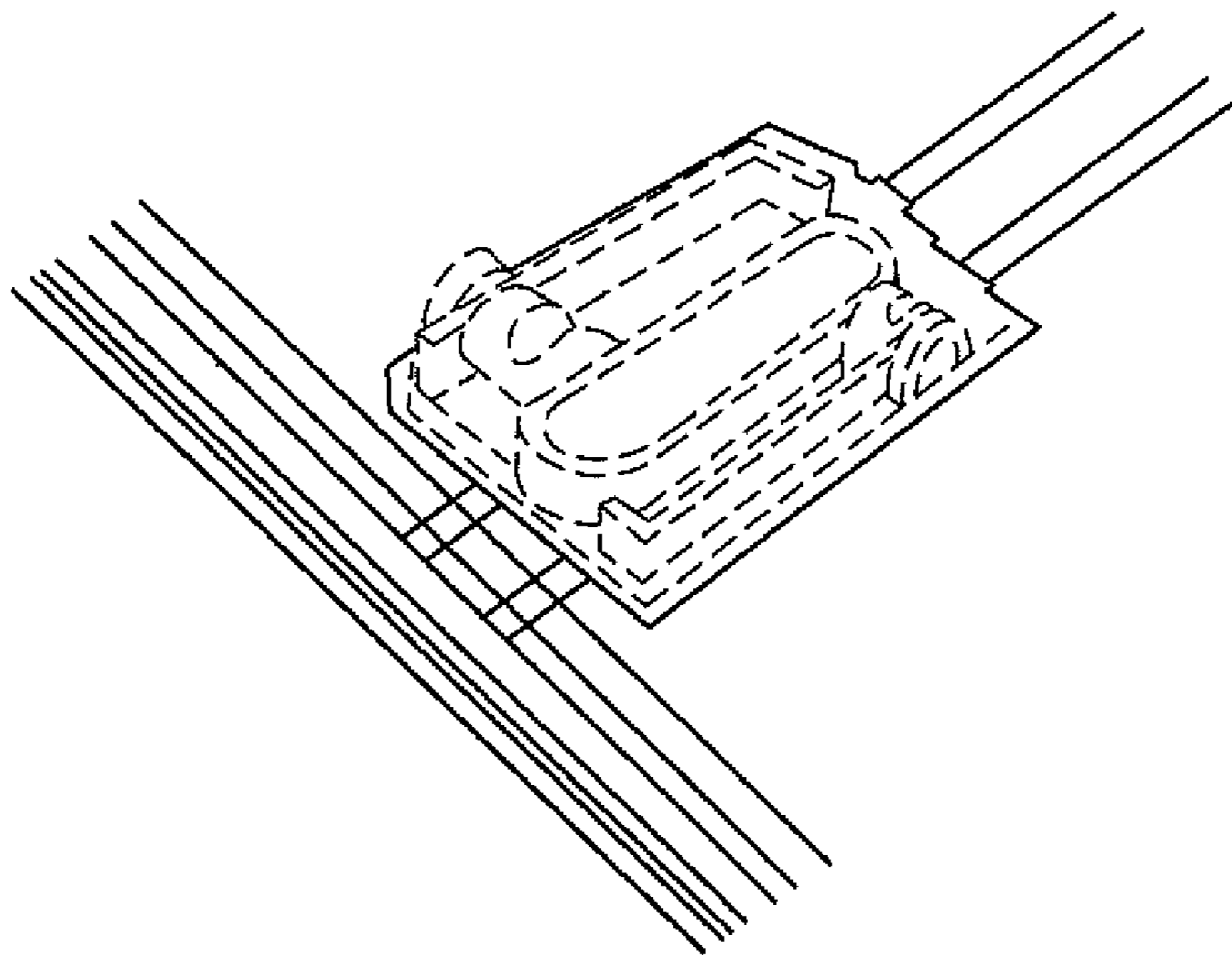


FIG. 3

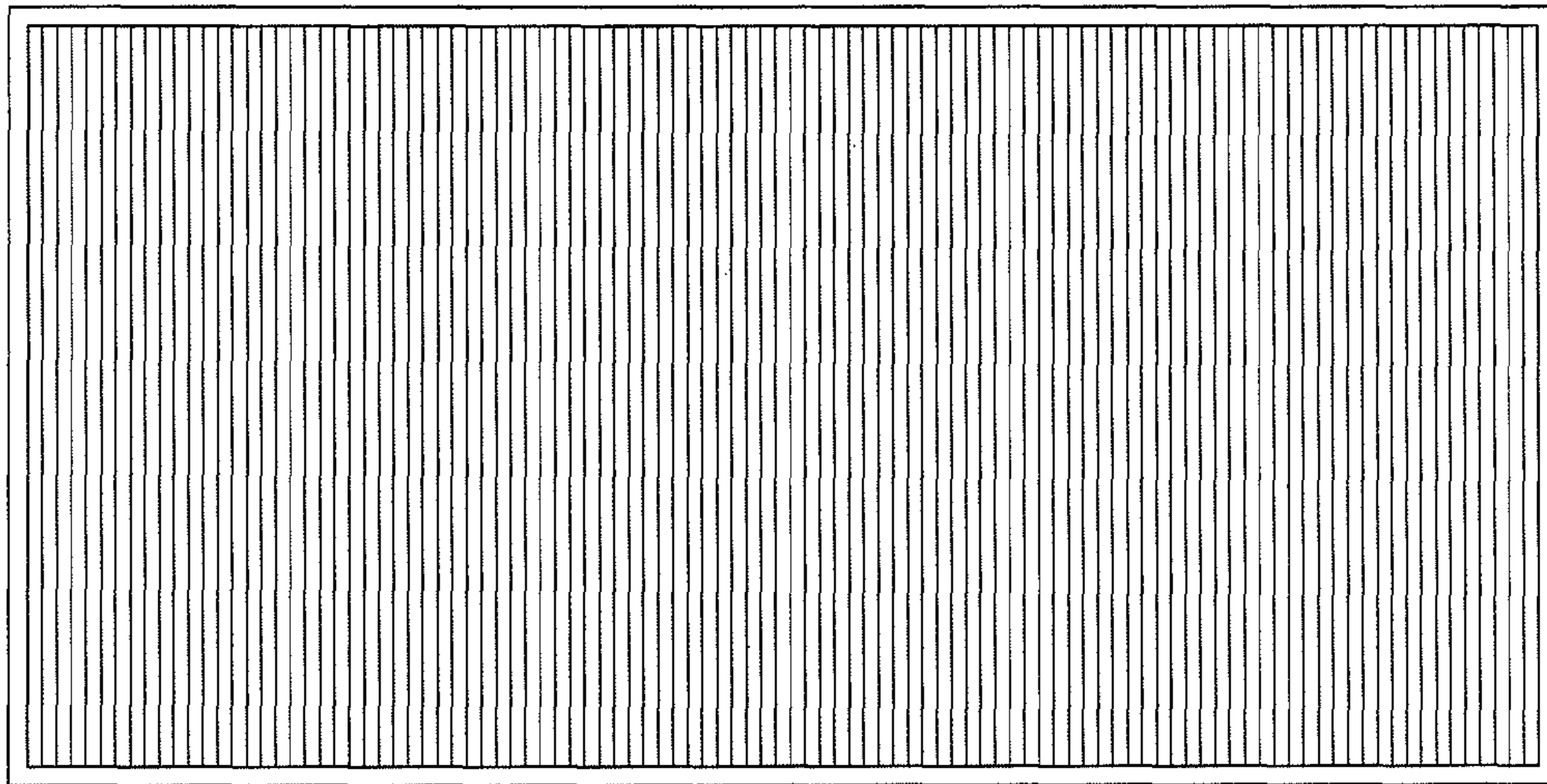


FIG. 4

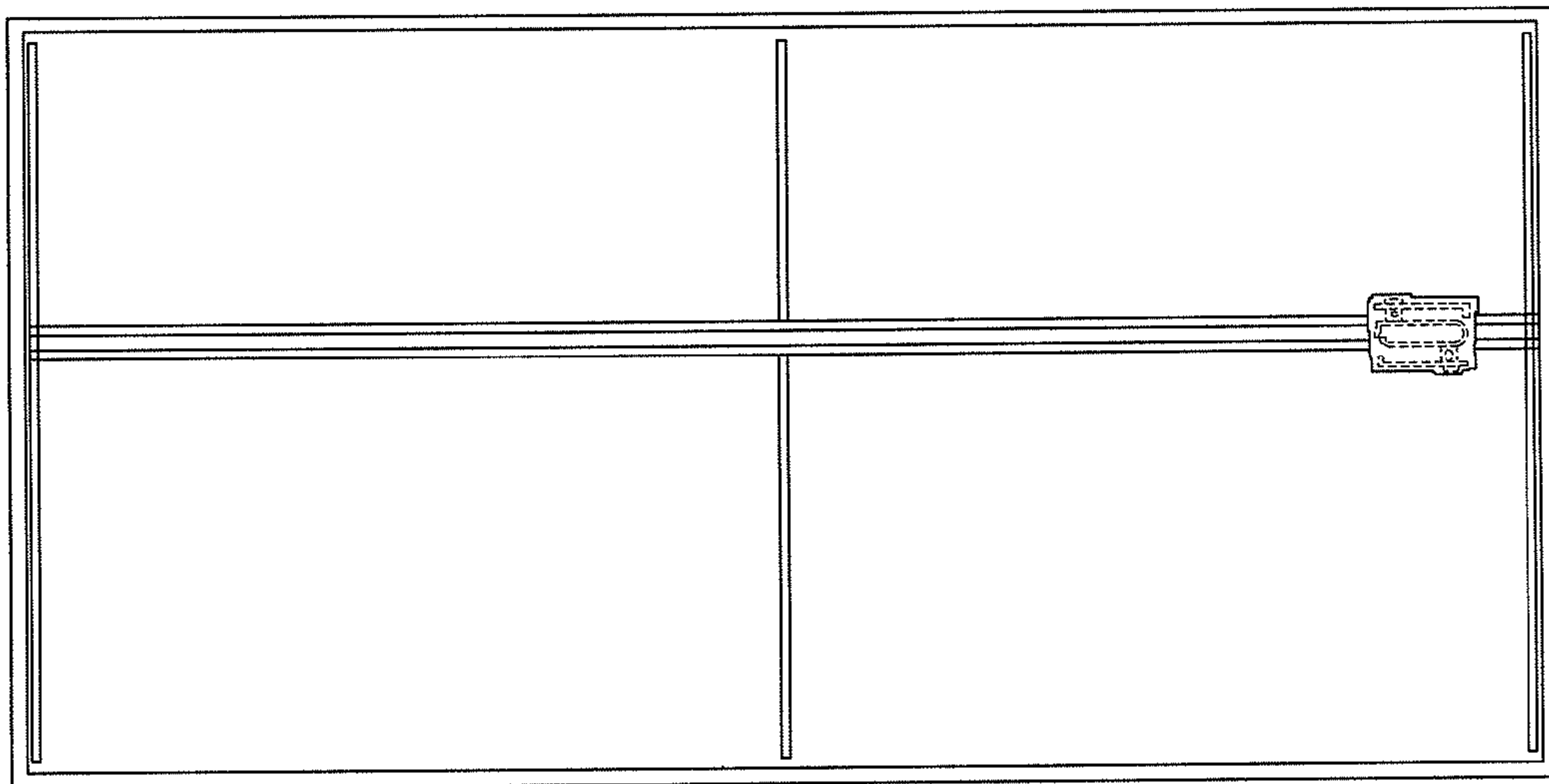


FIG. 5

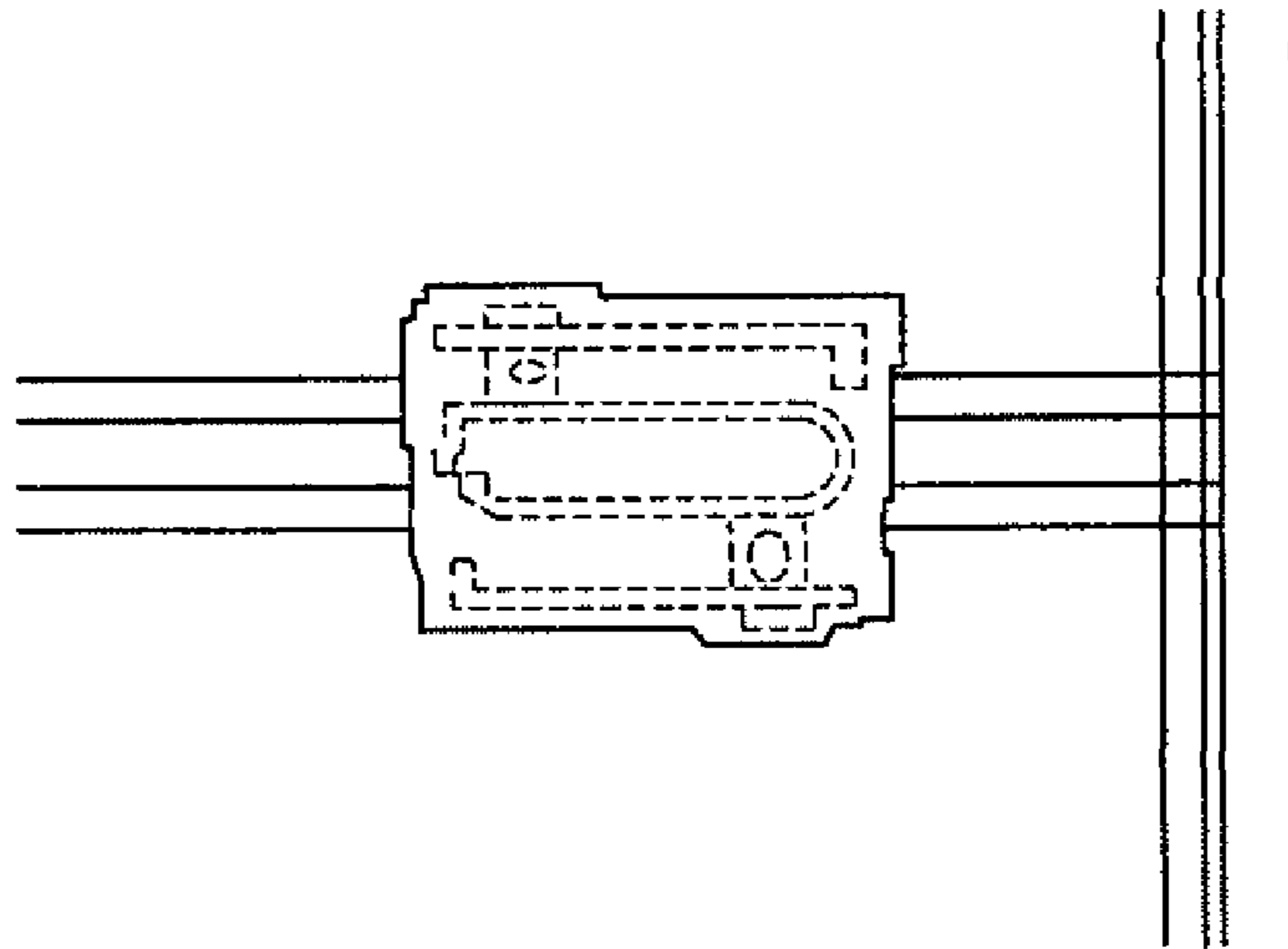


FIG. 6



FIG. 7

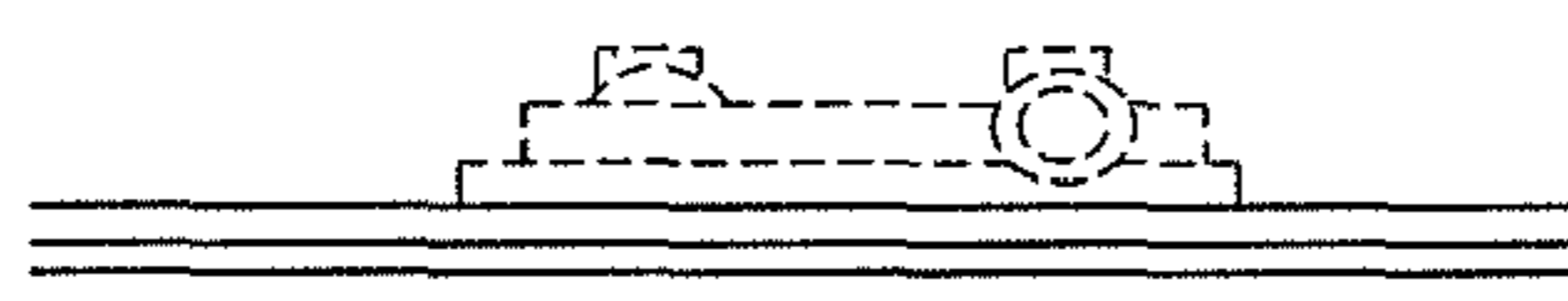


FIG. 8



FIG. 9

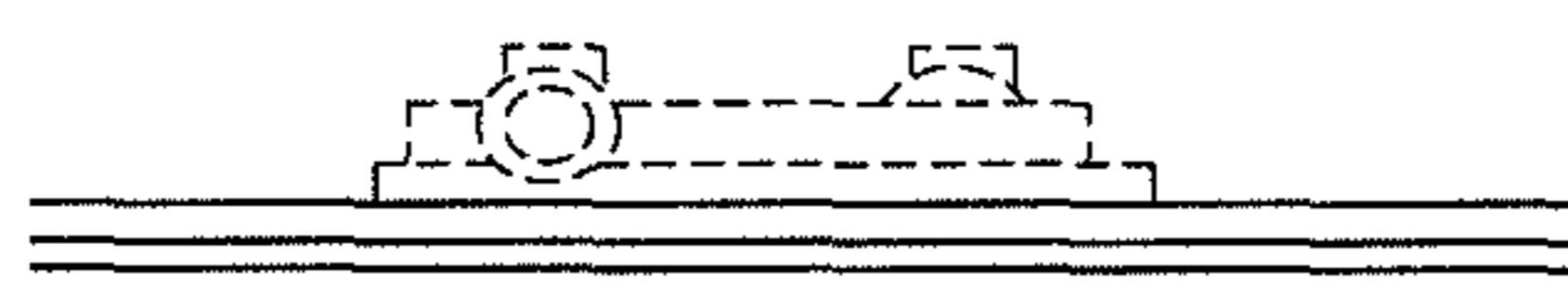


FIG. 10



FIG. 11

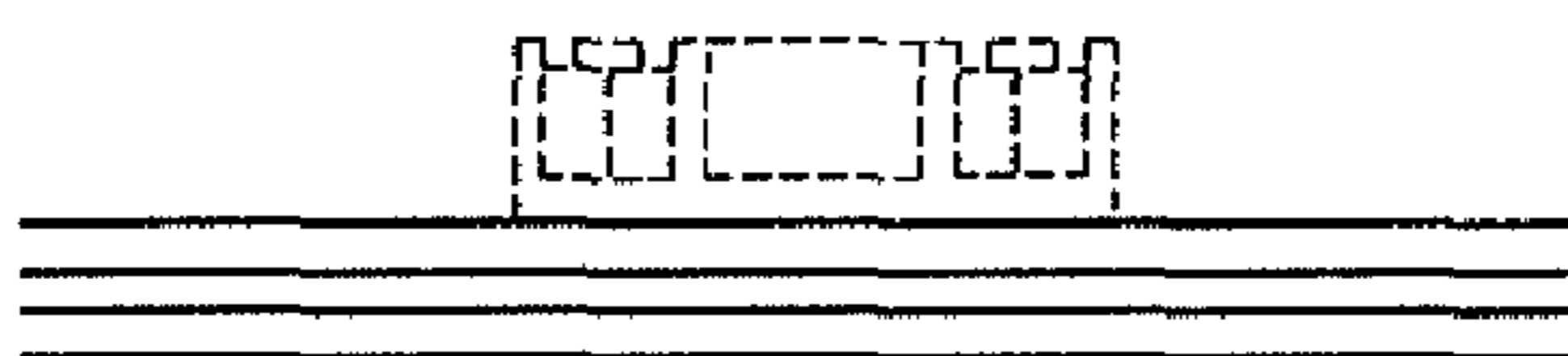


FIG. 12



FIG. 13

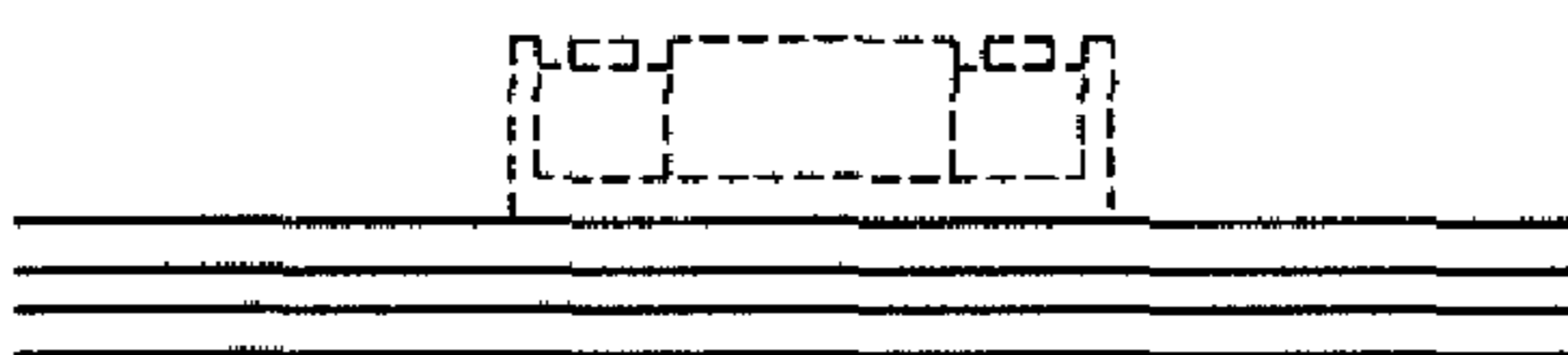


FIG. 14