

US00D644982S

(12) **United States Design Patent**
Lee

(10) **Patent No.:** **US D644,982 S**

(45) **Date of Patent:** **** Sep. 13, 2011**

(54) **TIRE FOR A CAR**

(75) Inventor: **Chang Ho Lee**, Gwangju (KR)

(73) Assignee: **Kumho Tire Co., Inc.**, Gwangju (KR)

(**) Term: **14 Years**

(21) Appl. No.: **29/354,211**

(22) Filed: **Jan. 20, 2010**

(30) **Foreign Application Priority Data**

Sep. 28, 2009 (KR) 30-2009-0042885

(51) **LOC (9) Cl.** **12-15**

(52) **U.S. Cl.** **D12/527; D12/521**

(58) **Field of Classification Search** D12/500,
D12/502, 505, 515-532, 604; 152/209.1,
152/209.8, 209.9, 209.18, 209.19, 209.21,
152/209.22, 209.25, 209.27
See application file for complete search history.

(56) **References Cited**

U.S. PATENT DOCUMENTS

D402,938 S *	12/1998	Villamizar	D12/523
D453,730 S *	2/2002	Weber	D12/532
6,571,844 B1 *	6/2003	Ochi et al.	152/209.18
D525,187 S *	7/2006	Lee et al.	D12/527
D529,436 S *	10/2006	Koya et al.	D12/601
D593,028 S *	5/2009	Ikeda	D12/601
D593,931 S *	6/2009	Fontaine et al.	D12/521
D606,924 S *	12/2009	Bervas et al.	D12/521
D627,292 S *	11/2010	Terashima	D12/559
D635,911 S *	4/2011	Sieber et al.	D12/521

OTHER PUBLICATIONS

Pirelli Winter 210 Snowsport Tire; 2005 Tread Design Guide, p. 44, Row 1, Item 3.*

Michelin XCX/APT Tire; 2005 Tread Design Guide, p. 84, Row 4, Item 1.*

* cited by examiner

Primary Examiner — Garth Rademaker

(74) *Attorney, Agent, or Firm* — Baker & Hostetler LLP

(57) **CLAIM**

The ornamental design for a tire for a car, as shown and described.

DESCRIPTION

FIG. 1 is a perspective view of a tire for a car, showing my new design;

FIG. 2 is a front view thereof;

FIG. 3 is a rear view thereof;

FIG. 4 is a left side view thereof;

FIG. 5 is a right side view thereof;

FIG. 6 is a top view thereof;

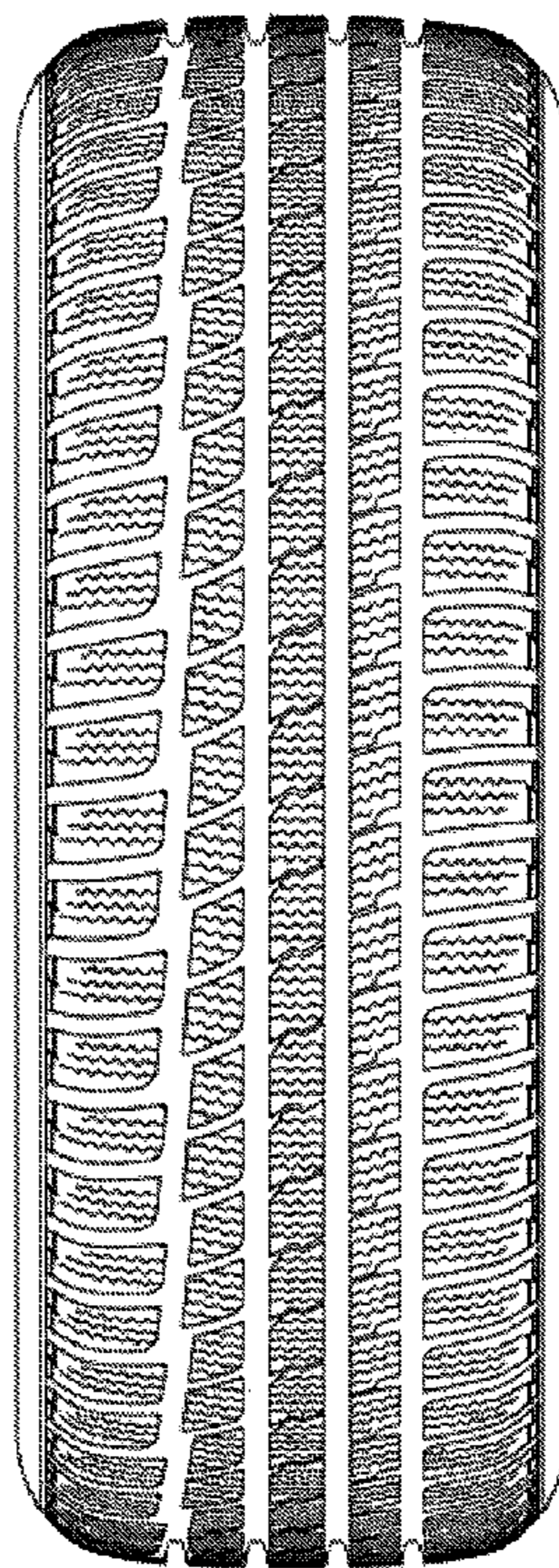
FIG. 7 is a bottom view thereof;

FIG. 8 is an enlarged, partial rear view thereof; and,

FIG. 9 is a cross-sectional view thereof, taken along line 9-9 of FIG. 8.

The broken lines in FIG. 8 show the boundaries of the figure and form no part of the claimed design.

1 Claim, 9 Drawing Sheets



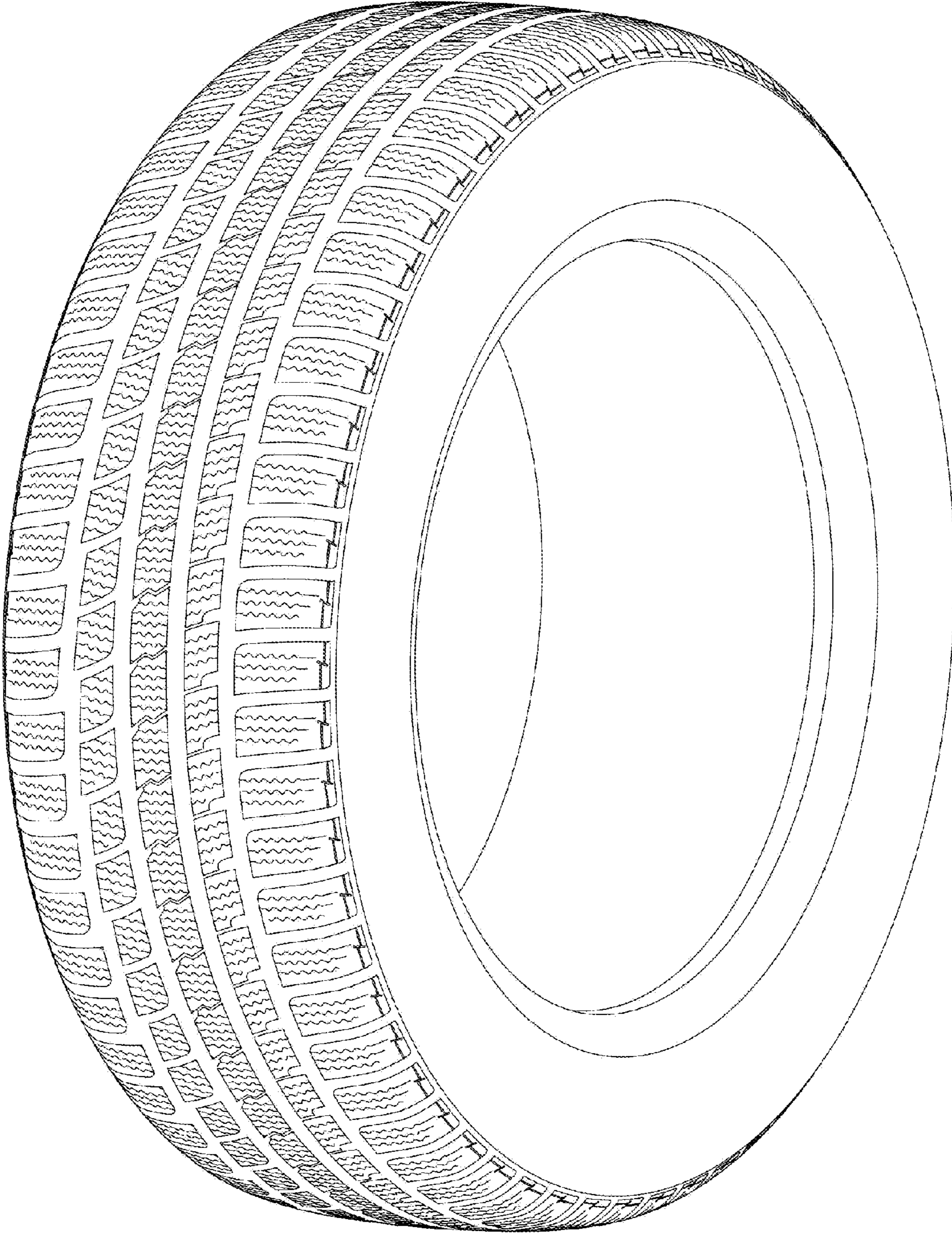


FIG. 1

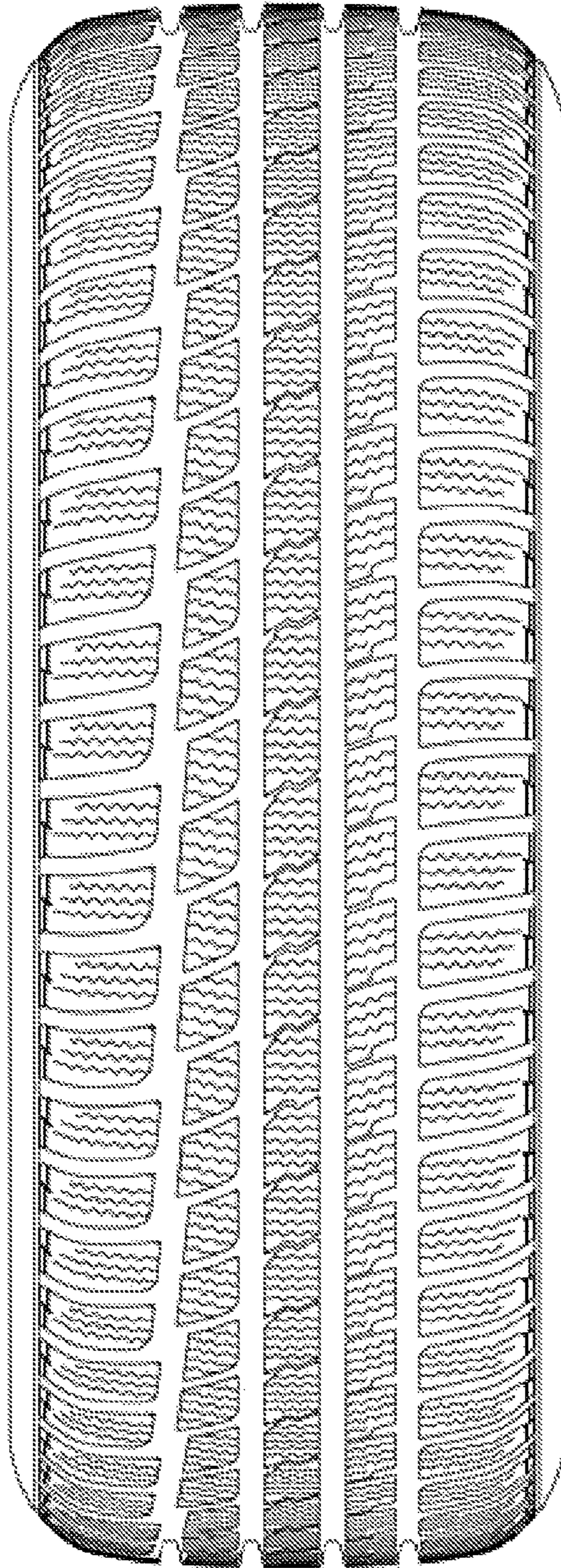


FIG. 2

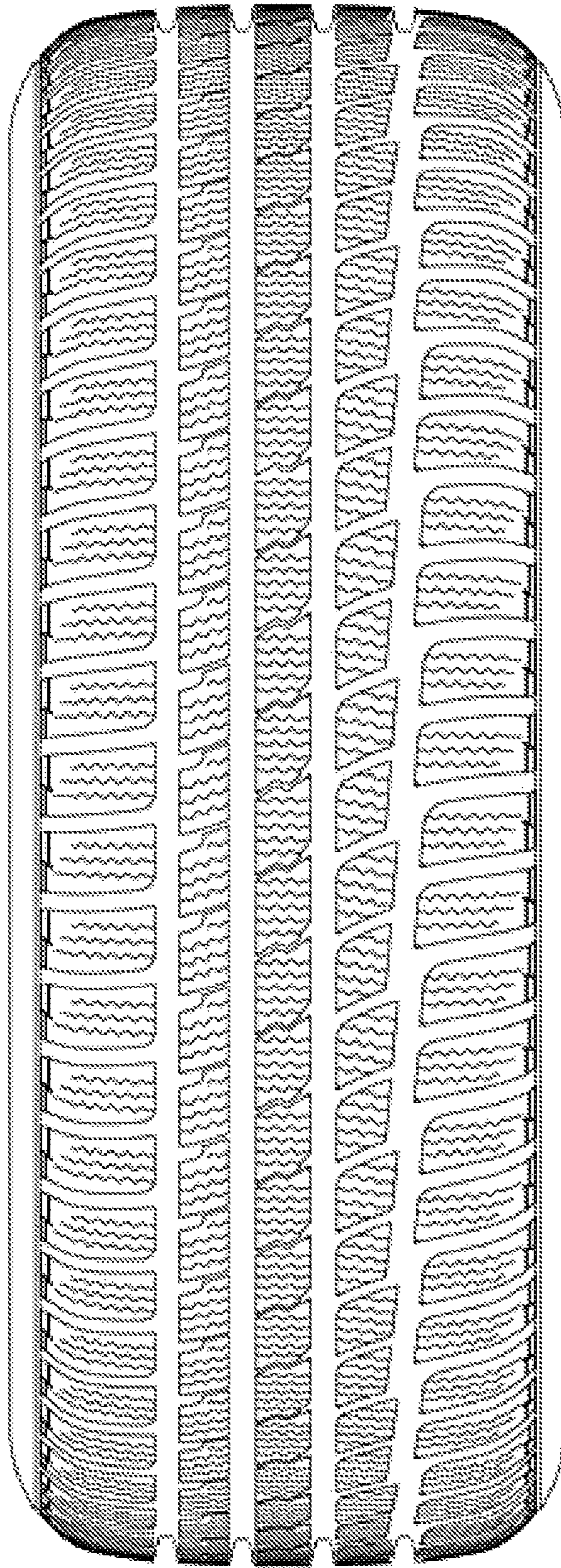


FIG. 3

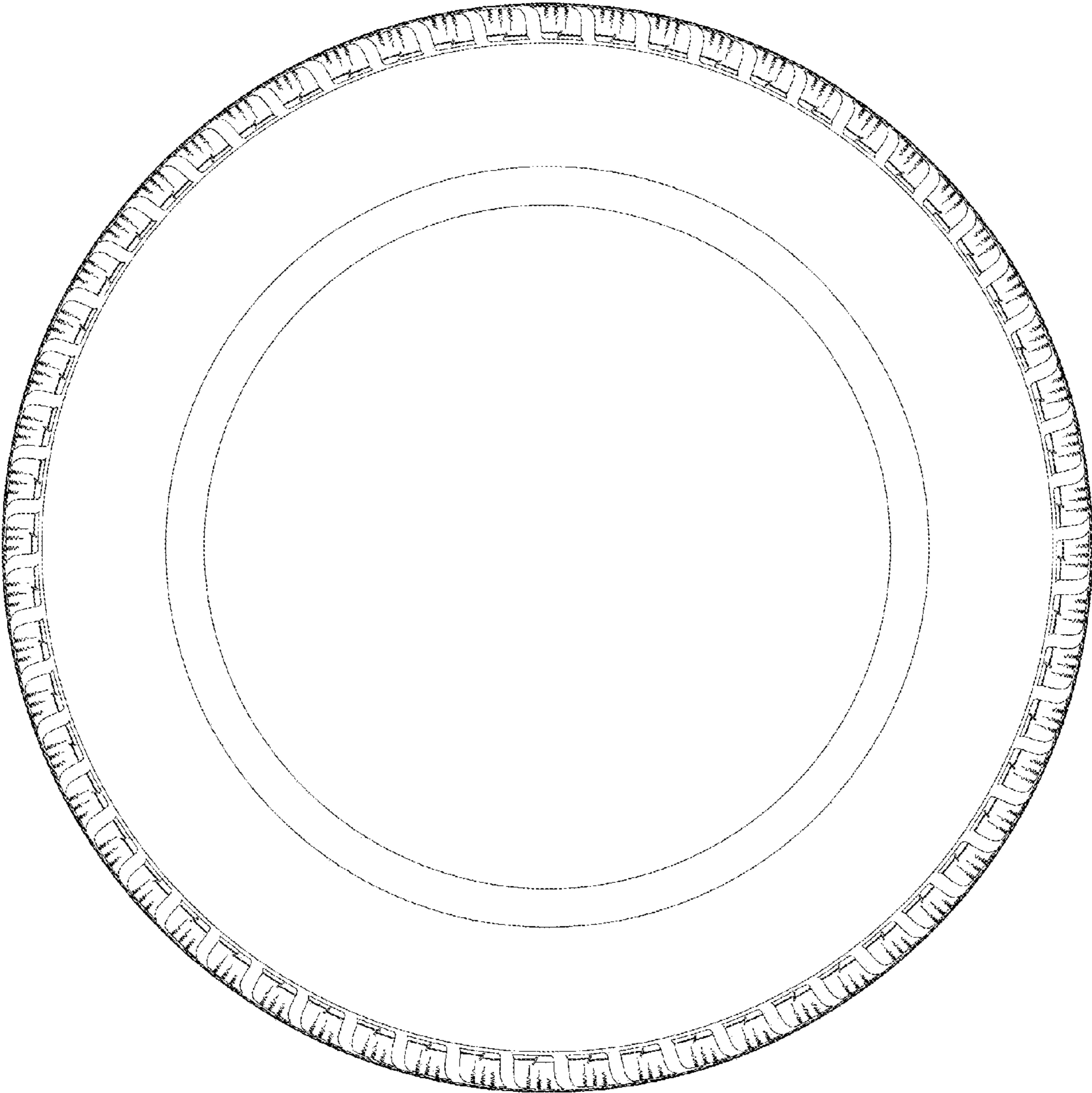


FIG. 4

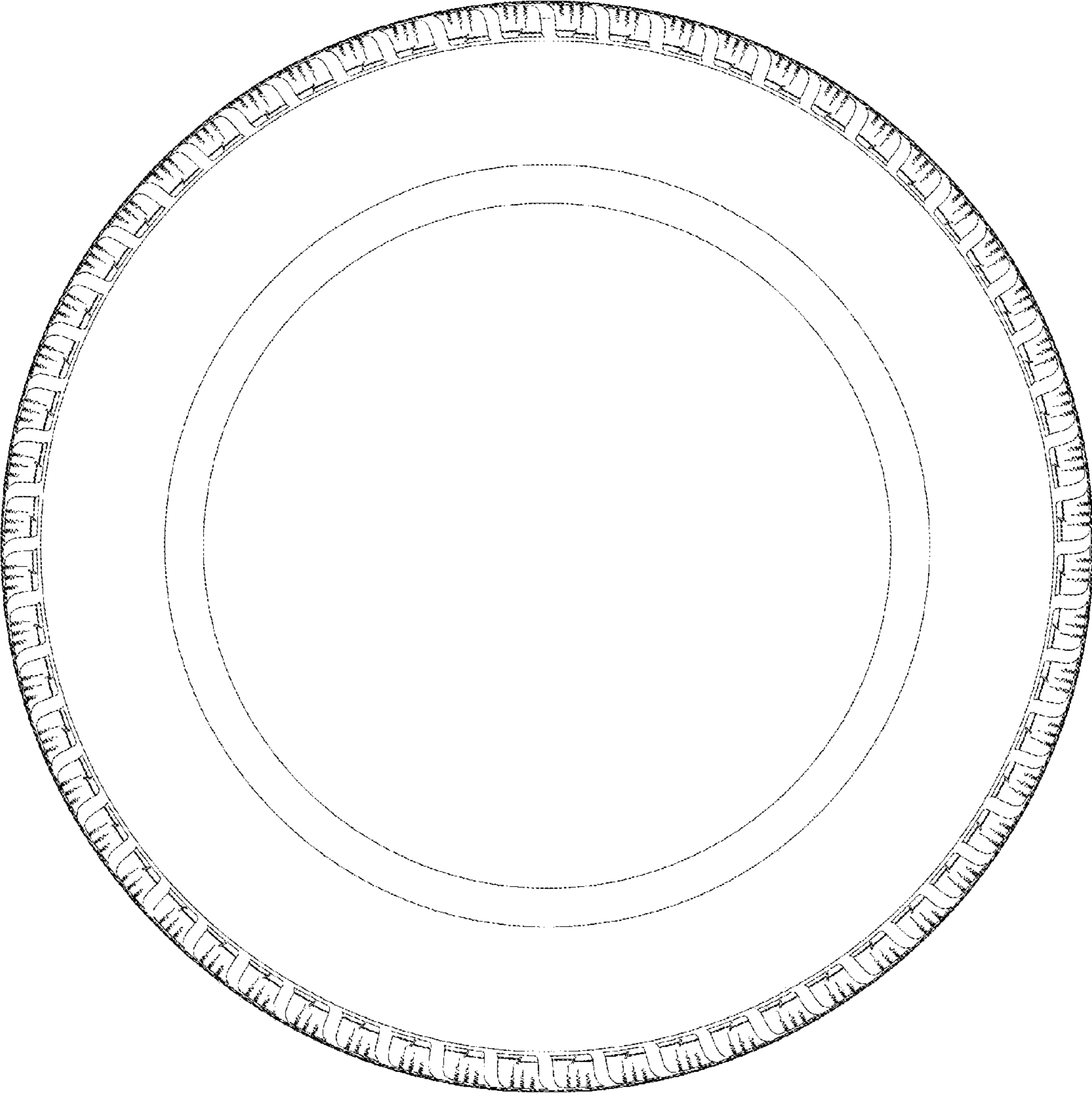


FIG. 5

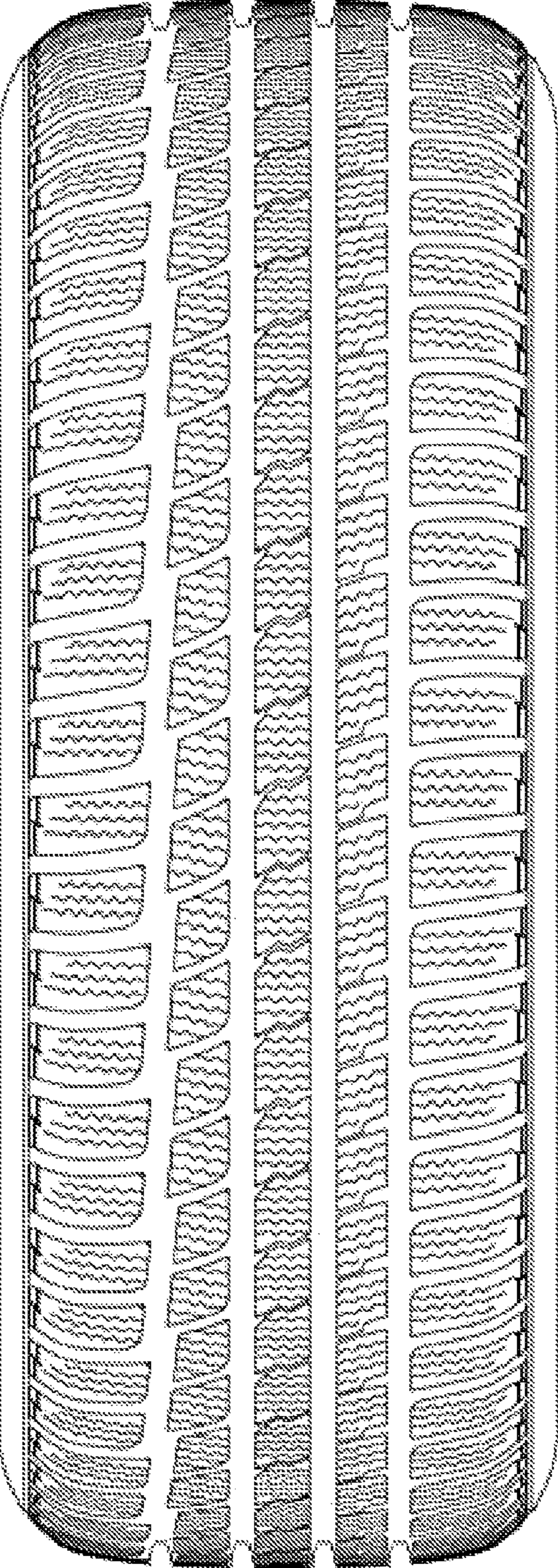


FIG. 6

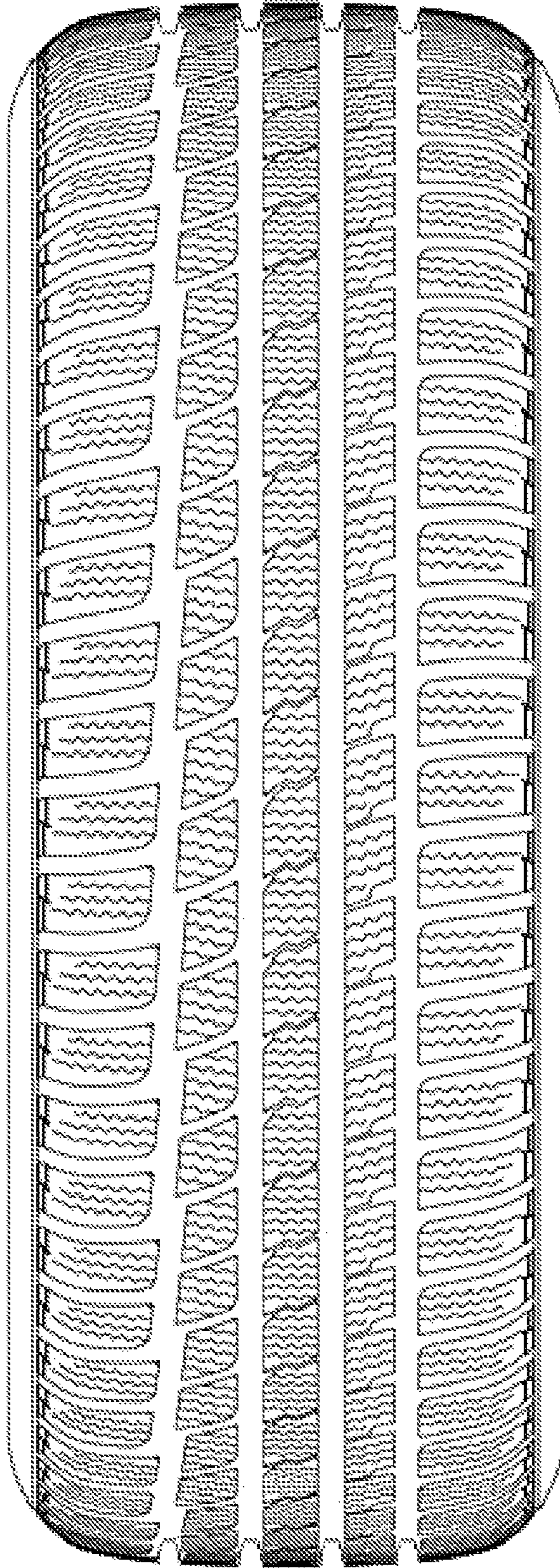


FIG. 7

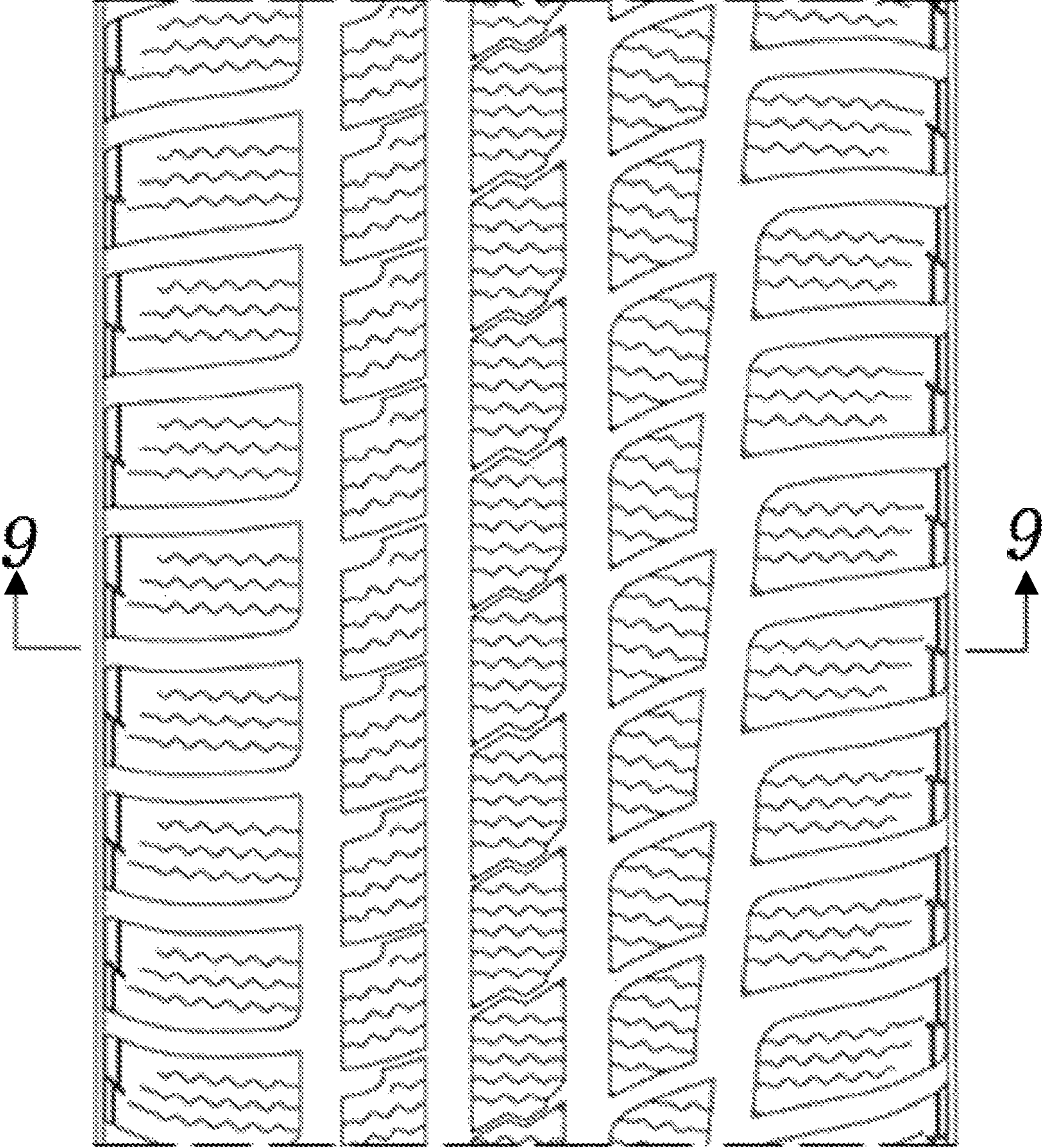


FIG. 8

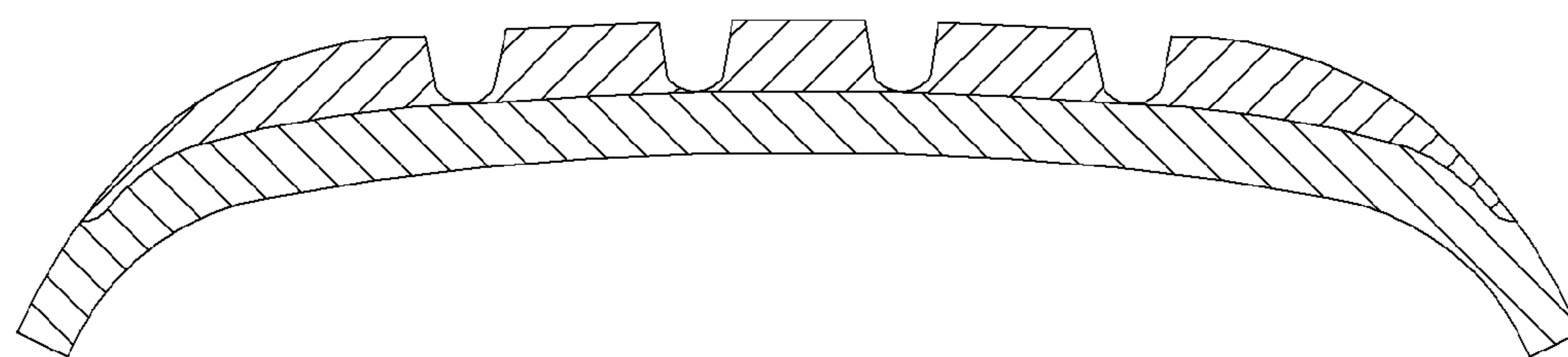


FIG. 9